



US00D377937S

United States Patent [19] Tucker

[11] Patent Number: **Des. 377,937**

[45] Date of Patent: ****Feb. 11, 1997**

[54] CALLER ID

[76] Inventor: **Kenny Tucker**, Rte. 5, Box 408,
Cochran, Ga. 31014

[**] Term: **14 Years**

[21] Appl. No.: **48,945**

[22] Filed: **Jan. 16, 1996**

[52] U.S. Cl. **D14/240**

[58] Field of Search D14/100, 107,
D14/114, 191, 137, 138, 149-151, 140,
142, 240, 242; D13/162, 164, 184; 340/825.44;
455/89.90; 379/419, 420, 428, 440, 441,
442, 142; D10/46

[56] References Cited

U.S. PATENT DOCUMENTS

D. 306,026	2/1990	Boykiw	D14/149 X
D. 328,291	7/1992	Falkner	D14/100 X
D. 332,833	1/1993	Lauks et al.	D14/138 X
D. 338,889	8/1993	Fuqua et al.	D14/240
D. 343,618	1/1994	Hayasaka et al.	D14/191
D. 344,728	3/1994	Nishimoto	D14/191
D. 348,674	7/1994	Lindeman et al.	D14/240
D. 349,501	8/1994	Fan	D14/240
D. 355,916	2/1995	Wathen	D14/240
D. 357,684	4/1995	Moreland	D14/240
D. 359,047	6/1995	Brandsma	D14/191
5,173,688	12/1992	Deluca et al.	340/825.44

OTHER PUBLICATIONS

Hello Direct, Spring 1994, p. 43, Model NN at top Left.
Specialized Products Company, Fall 1989, p. 159, Coaxial
Cable Checker, at bottom right.

Specialized Products Company, Fall 1989, p. 131, Digit
Grabber Hand Held Portable Tester, at bottom right.

Primary Examiner—Jeffrey Asch

Attorney, Agent, or Firm—Harold H. Dutton, Jr.; W. Charles
L. Jamison; Diane F. Liebman

[57] CLAIM

The ornamental design for a caller ID, as shown and
described.

DESCRIPTION

FIG. 1 is a perspective view of a caller ID showing my new
design with the broken line showing of displayed characters
being for illustrative purposes only and forming no part of
the claimed design;

FIG. 2 is a front view thereof;

FIG. 3 is a rear view thereof;

FIG. 4 is a top view thereof;

FIG. 5 is a bottom view thereof; and,

FIG. 6 is a left side view thereof, the right side being a mirror
image thereof.

1 Claim, 3 Drawing Sheets

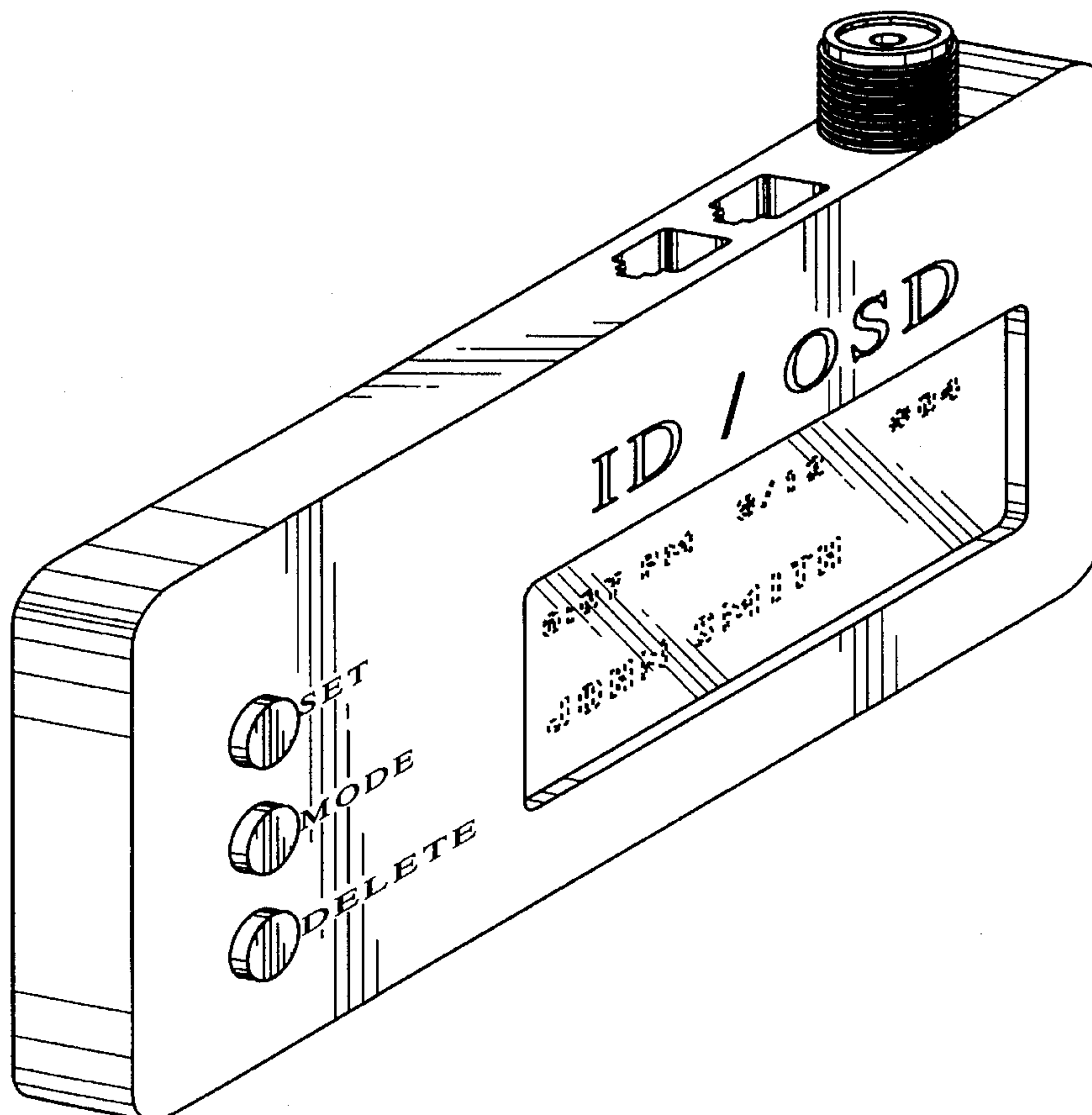


FIG. 1

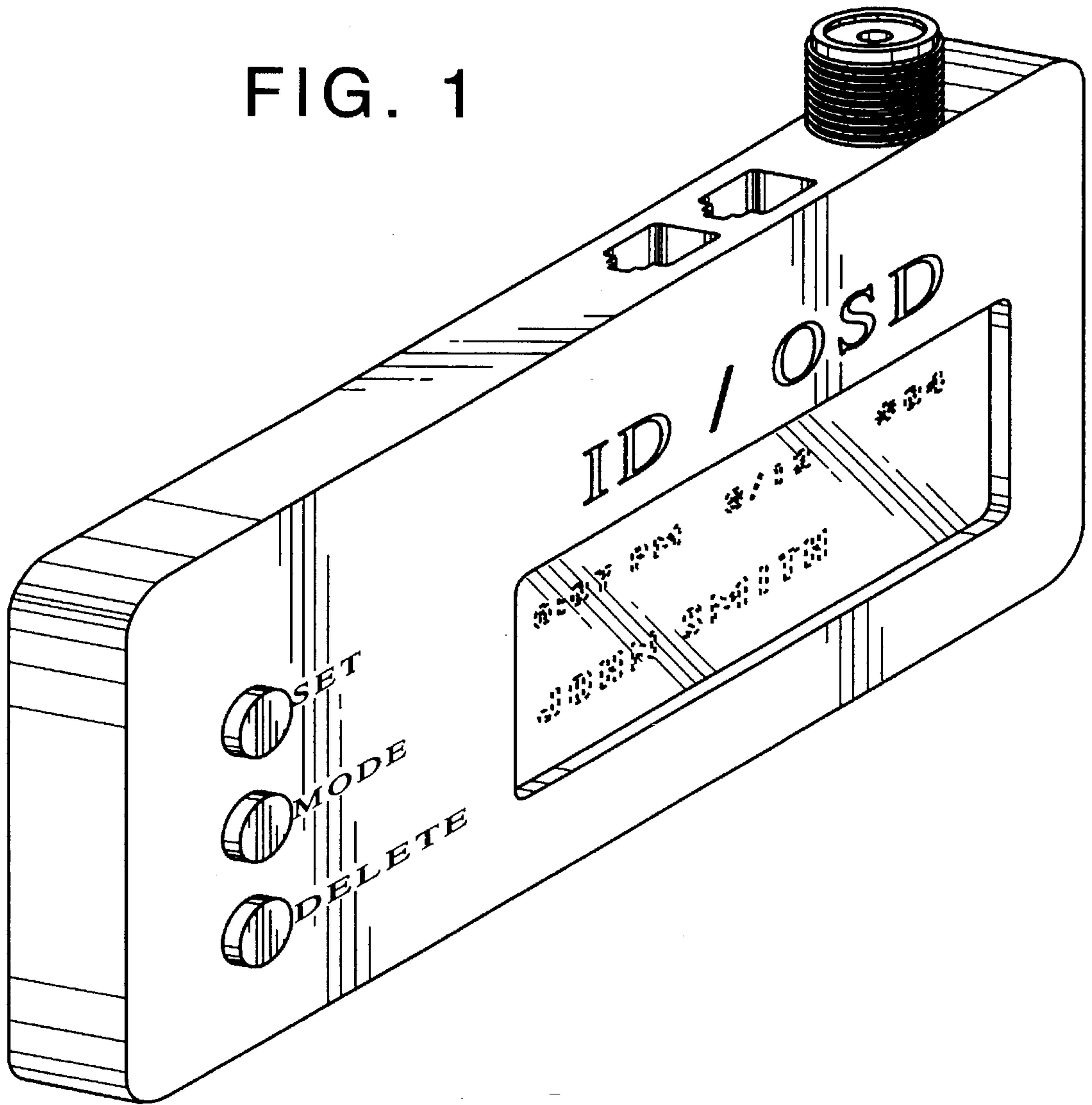


FIG. 2

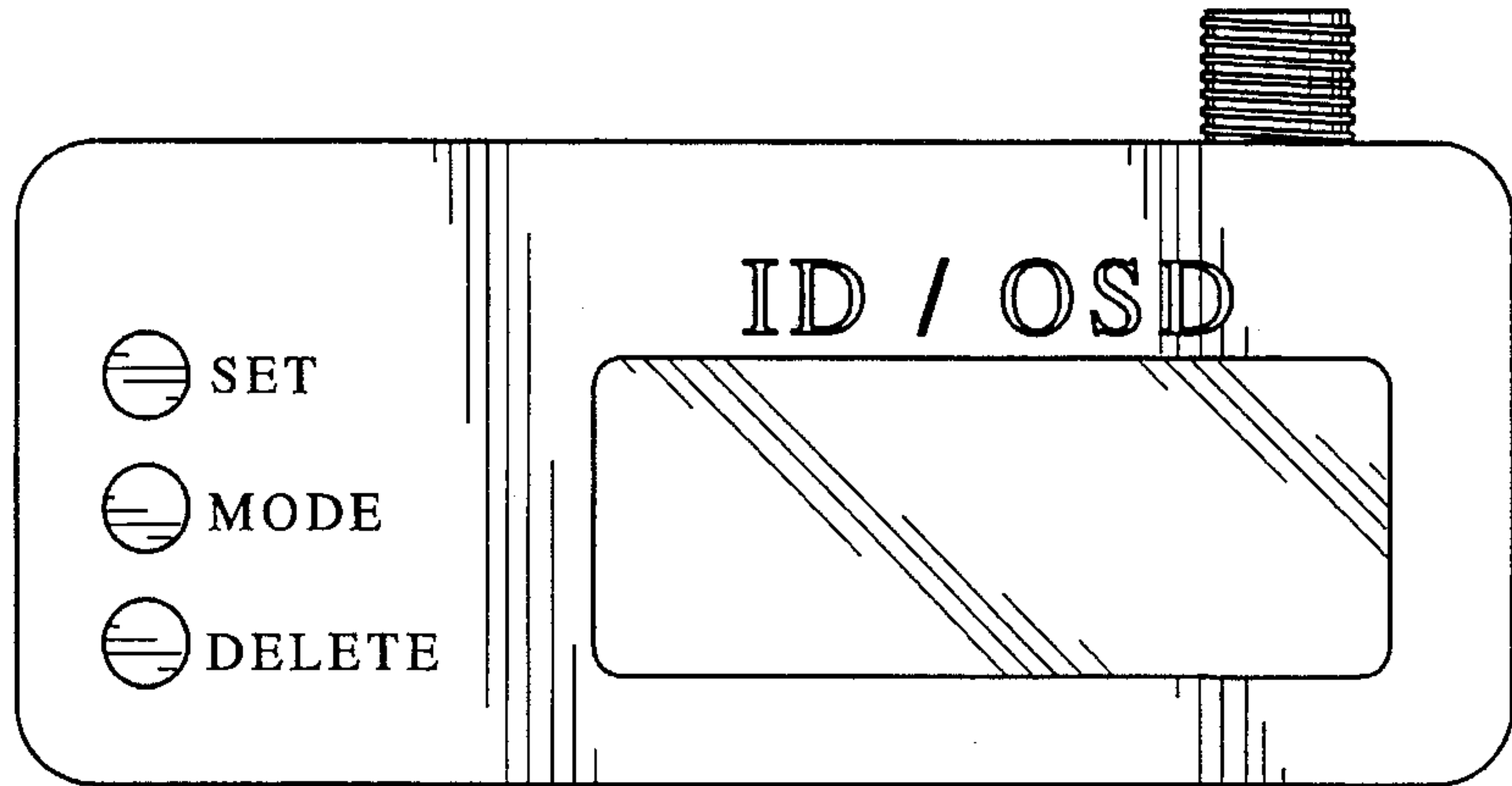


FIG. 3



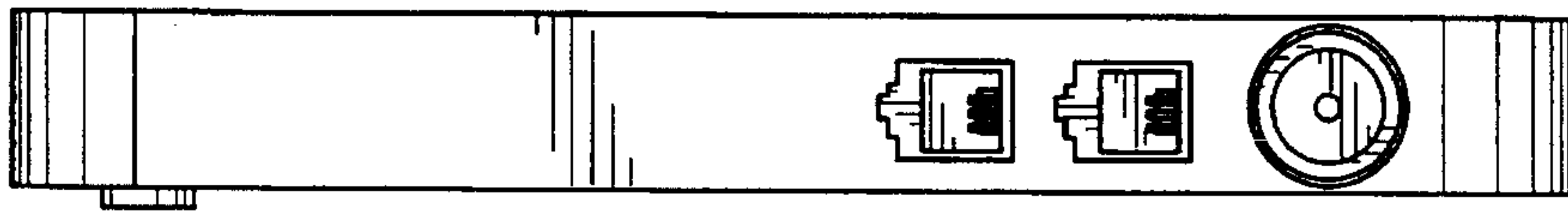


FIG. 4

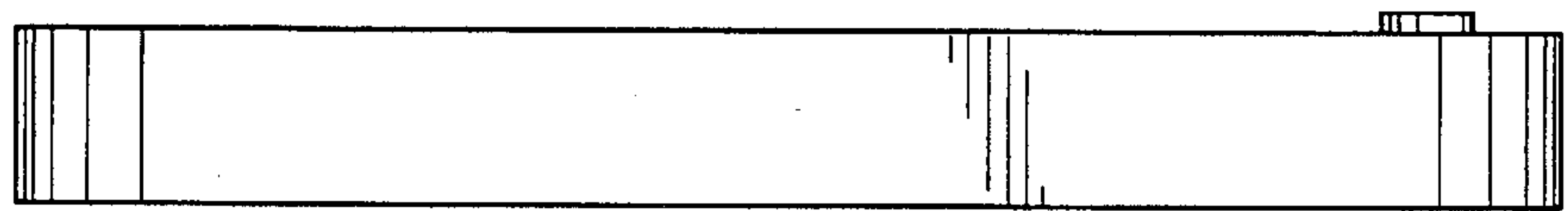


FIG. 5

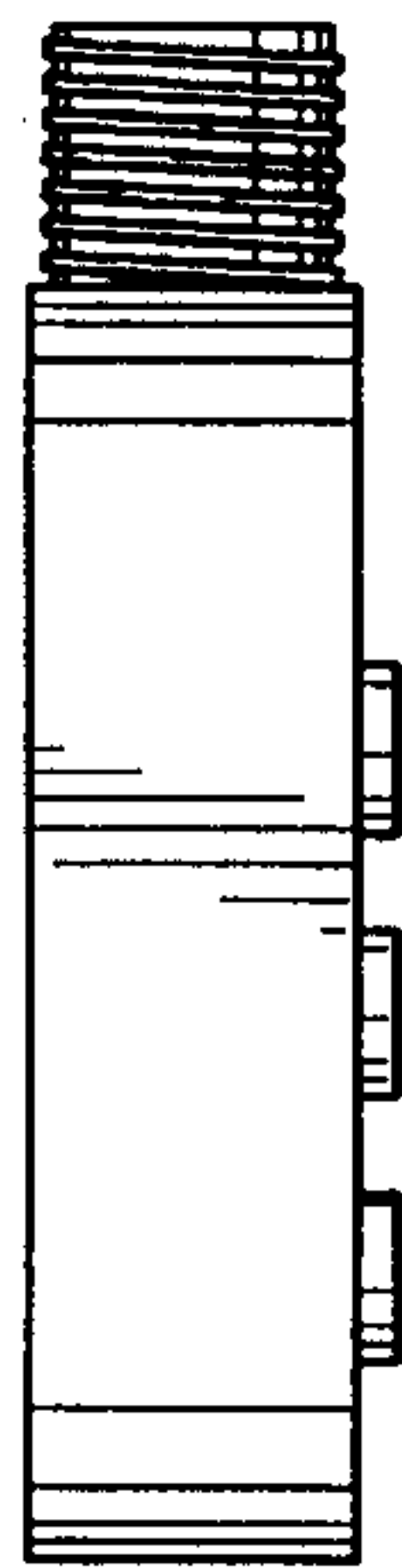


FIG. 6