



US00D377936S

United States Patent [19]
Imahori

[11] **Patent Number:** **Des. 377,936**

[45] **Date of Patent:** ****Feb. 11, 1997**

[54] **ELECTROACOUSTIC TRANSDUCER**

5,471,437 11/1995 Shutter et al. 367/175

[75] **Inventor:** **Yoshio Imahori**, Shizuoka, Japan

FOREIGN PATENT DOCUMENTS

[73] **Assignee:** **Star Micronics Co., Ltd.**, Shizuoka, Japan

948056 7/1995 Japan .

[**] **Term:** **14 Years**

Primary Examiner—Antoine Duval Davis
Attorney, Agent, or Firm—Sughrue, Mion, Zinn, Macpeak & Seas

[21] **Appl. No.:** **51,264**

[57] **CLAIM**

[22] **Filed:** **Mar. 7, 1996**

The ornamental design for an electroacoustic transducer, as shown and described.

[30] **Foreign Application Priority Data**

DESCRIPTION

Sep. 8, 1995 [JP] Japan 7-26528

[52] **U.S. Cl.** **D14/222; D10/75**

[58] **Field of Search** **D10/75; D14/222; 324/156; 381/188-199; 367/175**

FIG. 1 is a perspective view of the top, front and right side of an electroacoustic transducer showing my new design; FIG. 2 is a front elevational view thereof; FIG. 3 is a top plan view thereof; FIG. 4 is a right side elevational view thereof; FIG. 5 is a left side elevational view thereof; FIG. 6 is a rear elevational view thereof; and, FIG. 7 is a bottom plan view thereof.

[56] **References Cited**

U.S. PATENT DOCUMENTS

D. 239,537 4/1976 Wagner D14/222
D. 333,468 2/1993 Hansen D14/222

1 Claim, 4 Drawing Sheets

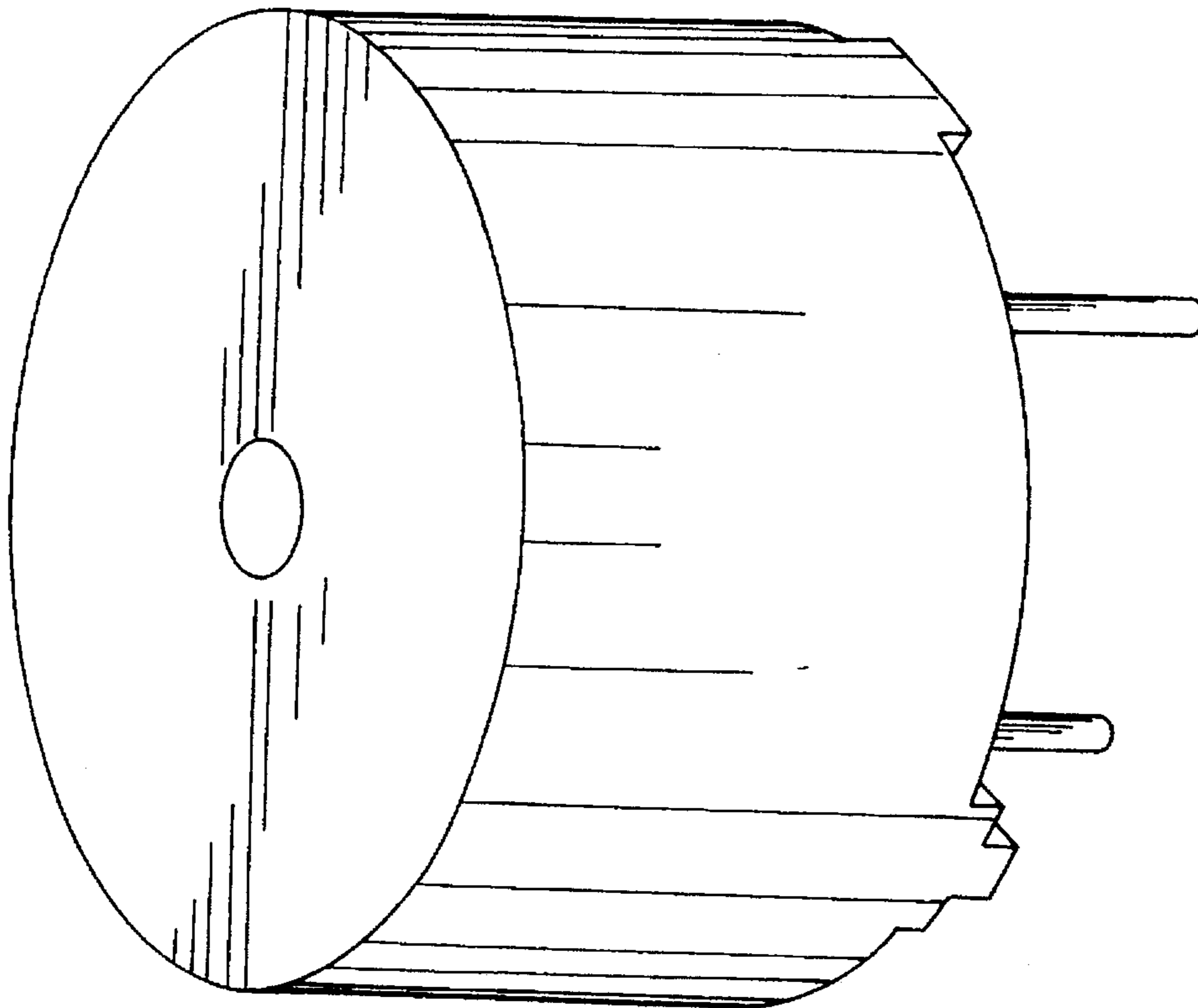


FIG.1

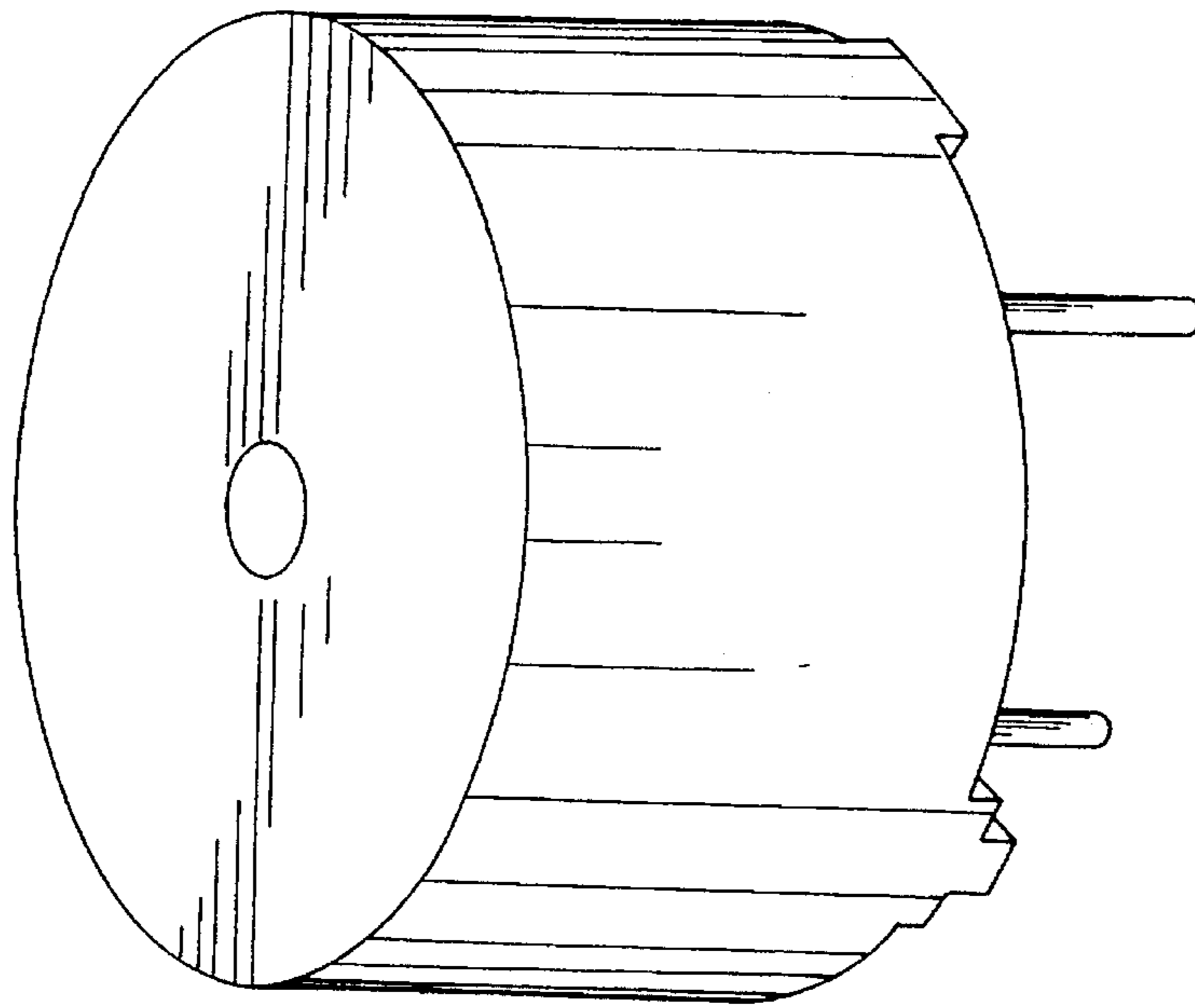


FIG.2

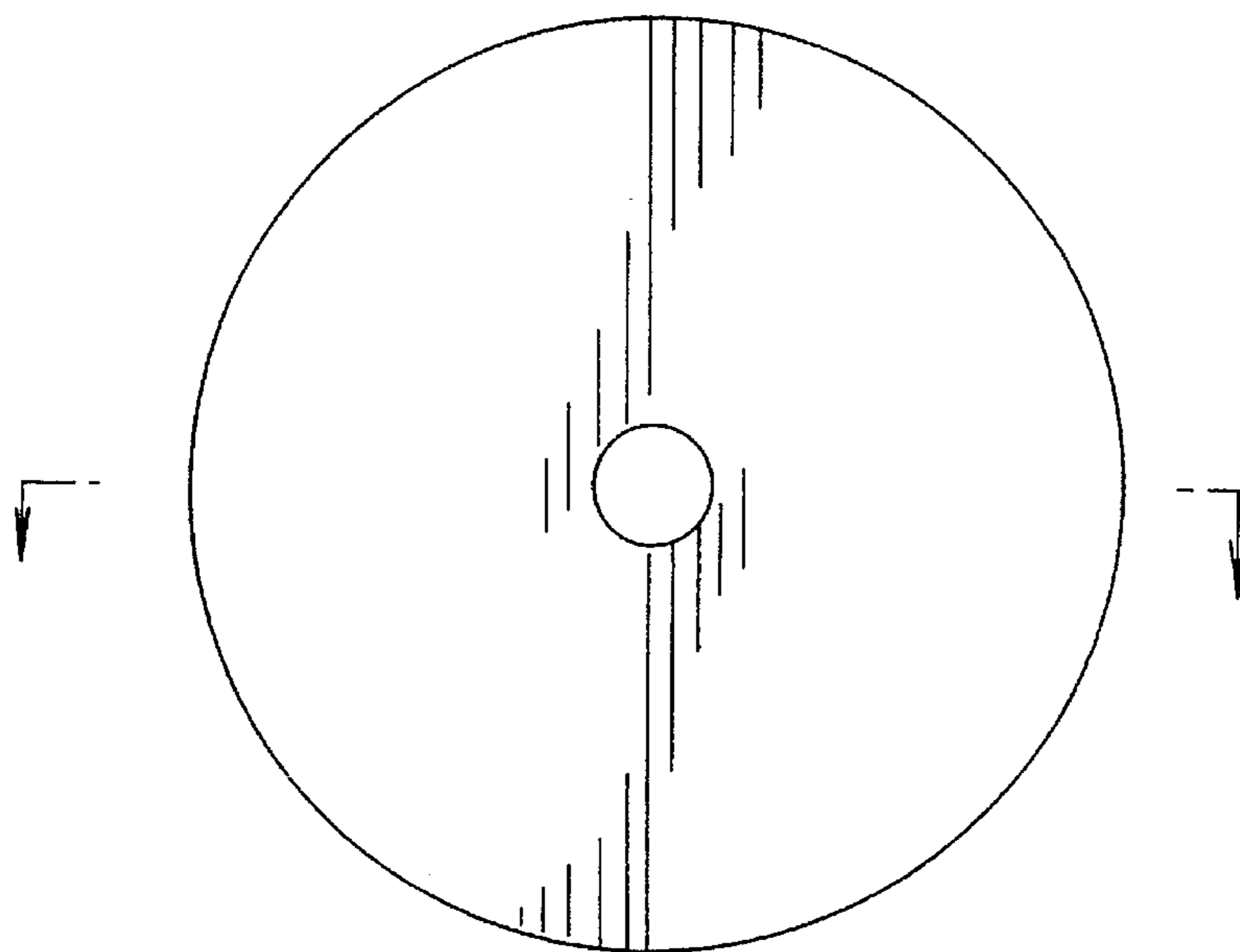


FIG. 3

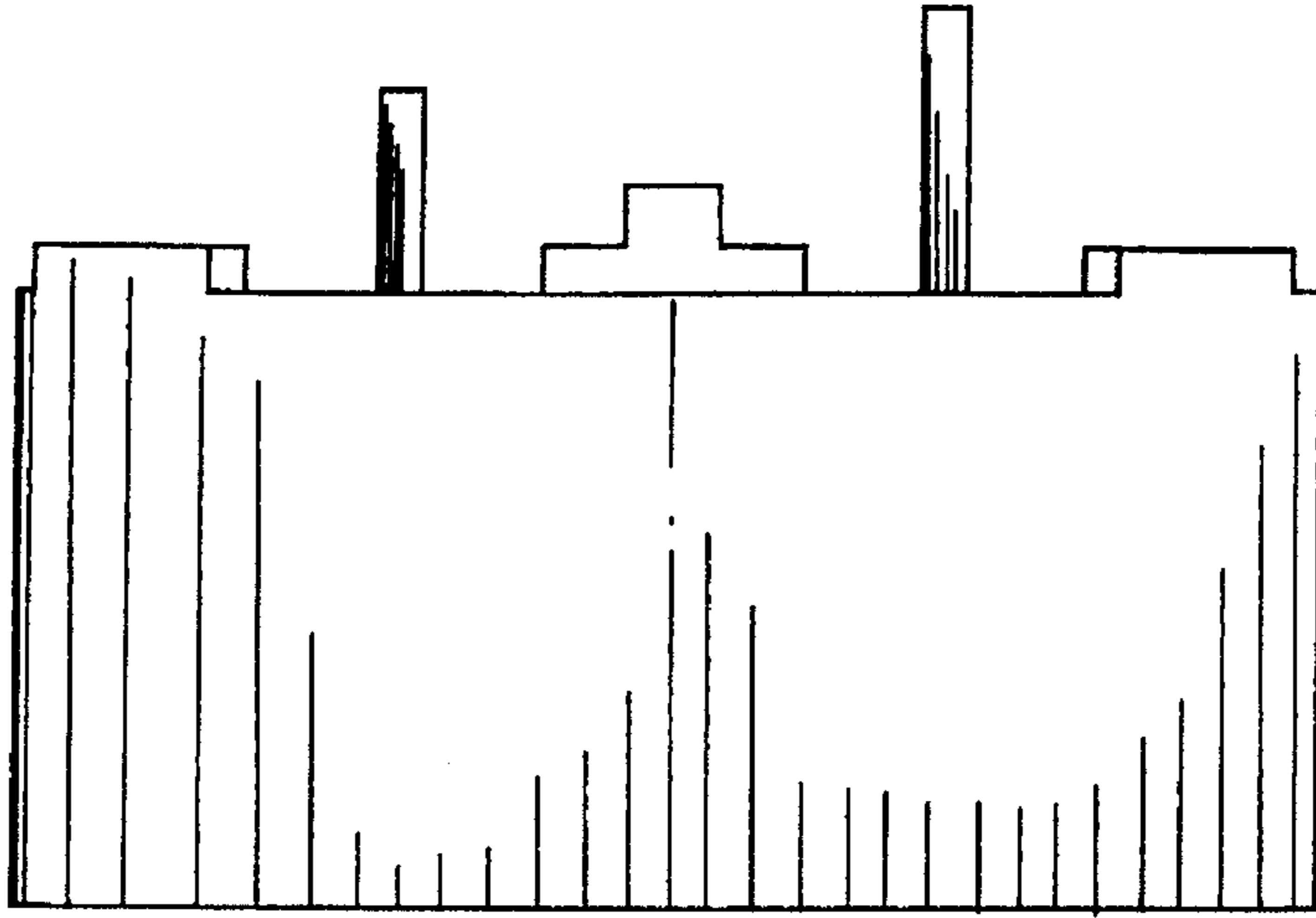


FIG. 4

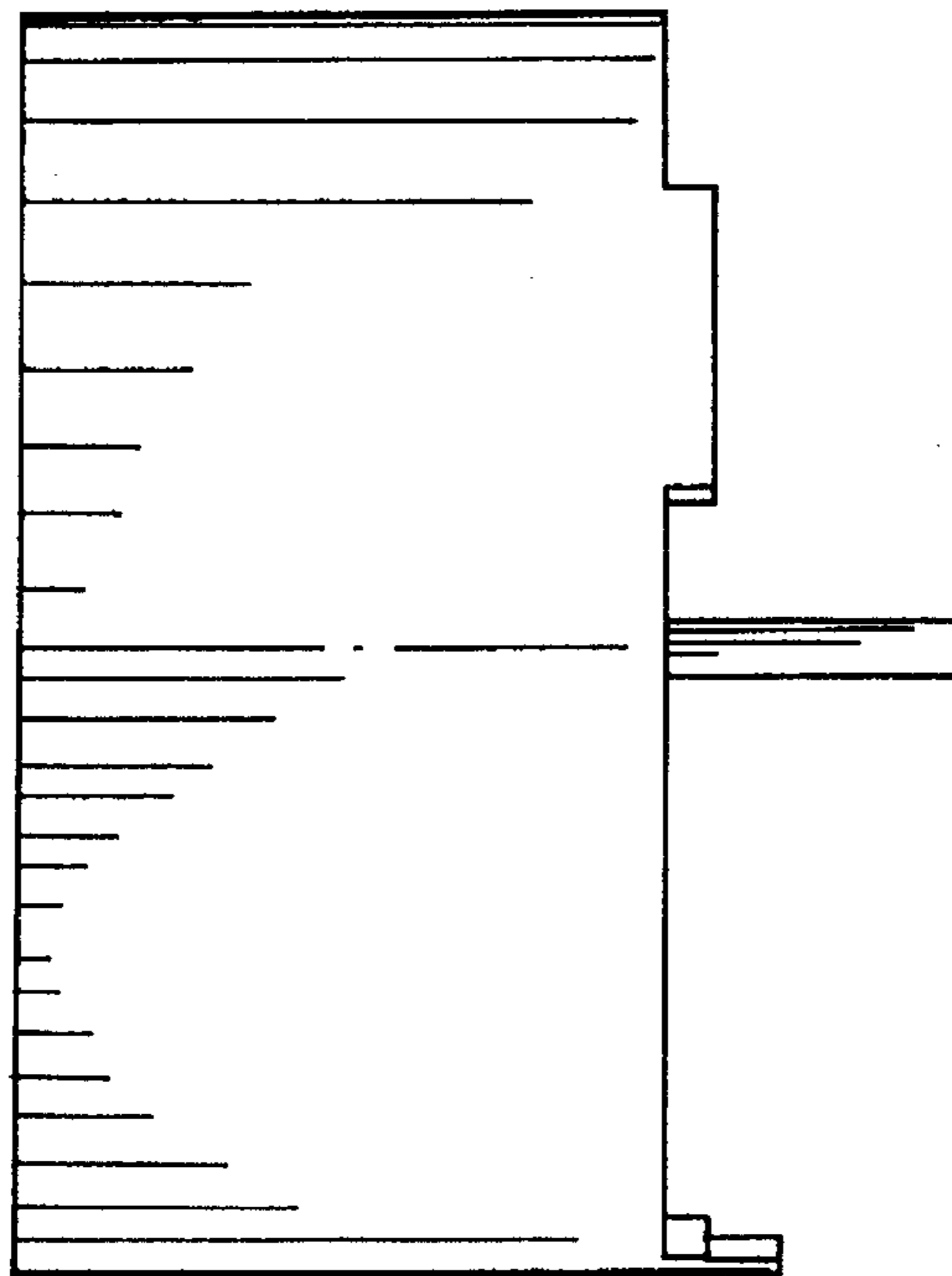


FIG.5

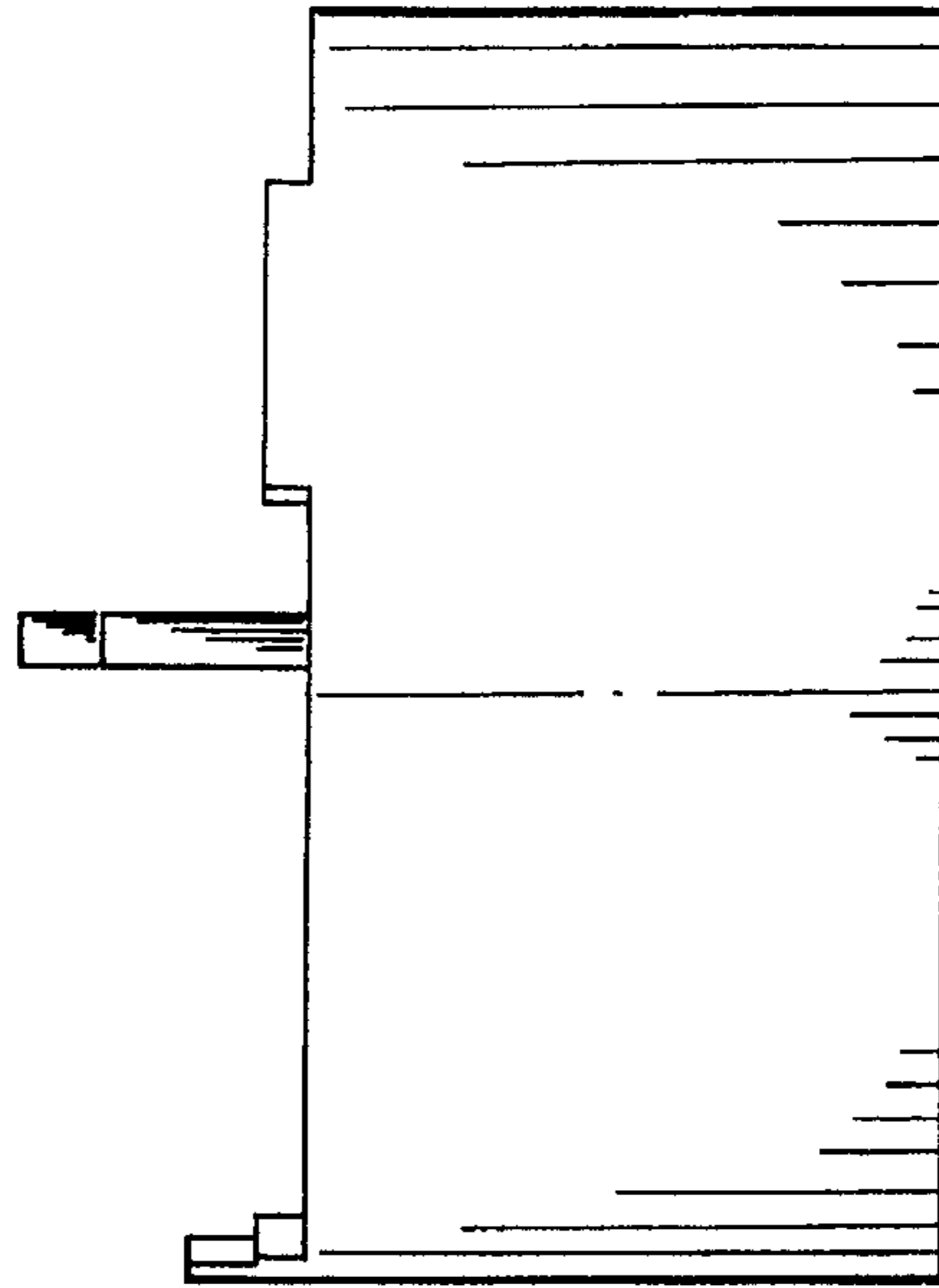


FIG.6

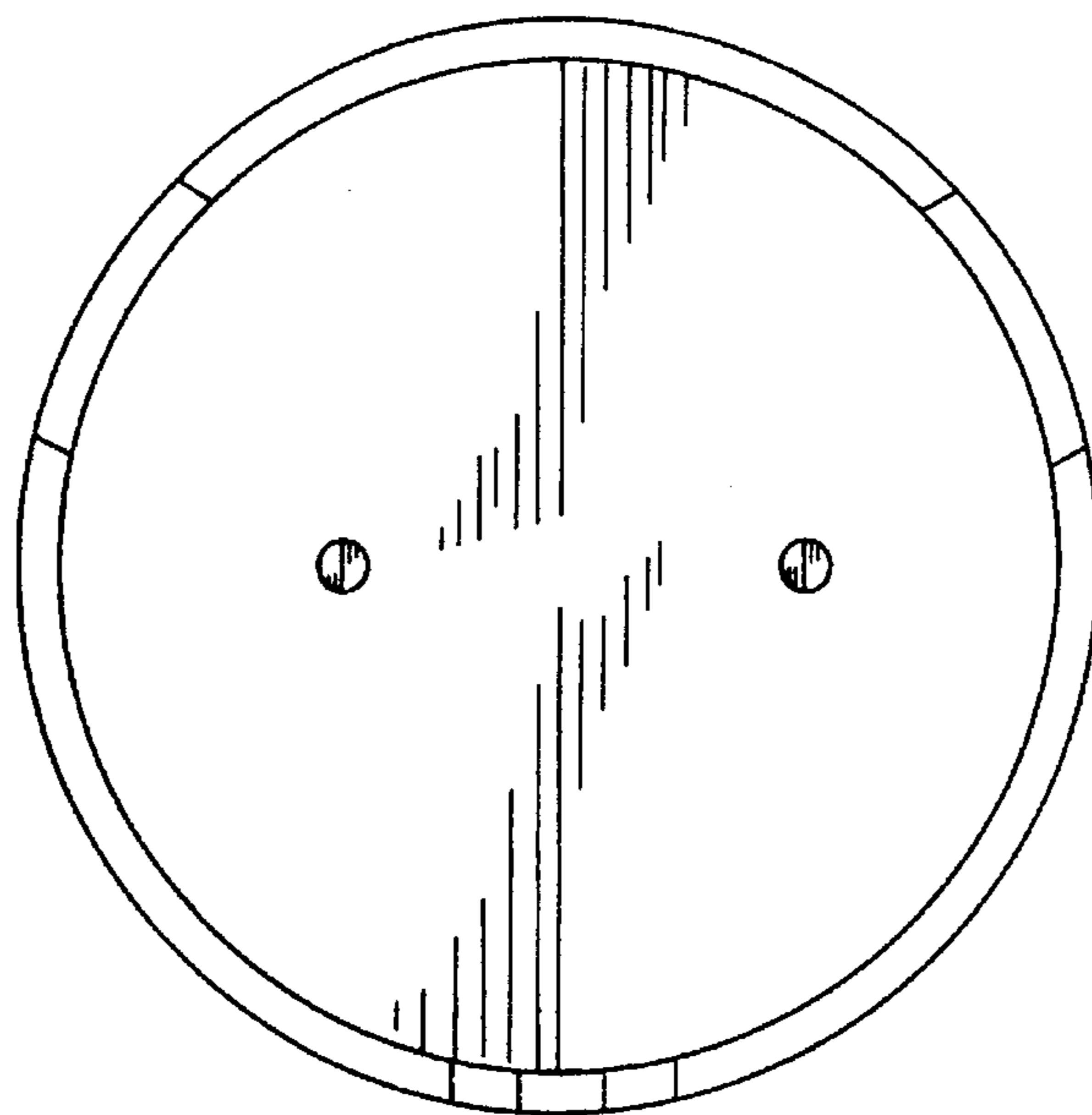


FIG.7

