



US00D377934S

United States Patent [19]

[11] Patent Number: **Des. 377,934**

Vondrak et al.

[45] Date of Patent: ****Feb. 11, 1997**

[54] **HOUSING FOR A TELEPHONE**
[75] Inventors: **Thomas F. Vondrak**, Libertyville;
Daniel L. Williams, Vernon Hills, both
of Ill.

D. 350,119 8/1994 Kumar et al. D14/138 X
D. 352,289 11/1994 Rak D14/242
D. 352,290 11/1994 Rak D14/242
D. 352,941 11/1994 Bolton, Jr. D14/142
D. 355,181 2/1995 Siddoway D14/138
D. 357,917 5/1995 Ito et al. D14/218

[73] Assignee: **Motorola, Inc.**, Schaumburg, Ill.

Primary Examiner—Jeffrey Asch
Attorney, Agent, or Firm—Randall S. Vaas

[**] Term: **14 Years**

[57] **CLAIM**

[21] Appl. No.: **33,170**

The ornamental design for a housing for a telephone, as shown and described.

[22] Filed: **Jan. 5, 1995**

[52] U.S. Cl. **D14/138; D14/147**

DESCRIPTION

[58] **Field of Search** D14/137, 138,
D14/147, 148, 149-151, 140, 142, 240,
116, 101, 100, 242, 218; 379/433-436,
419, 420, 428, 440, 58-61; 455/89, 90

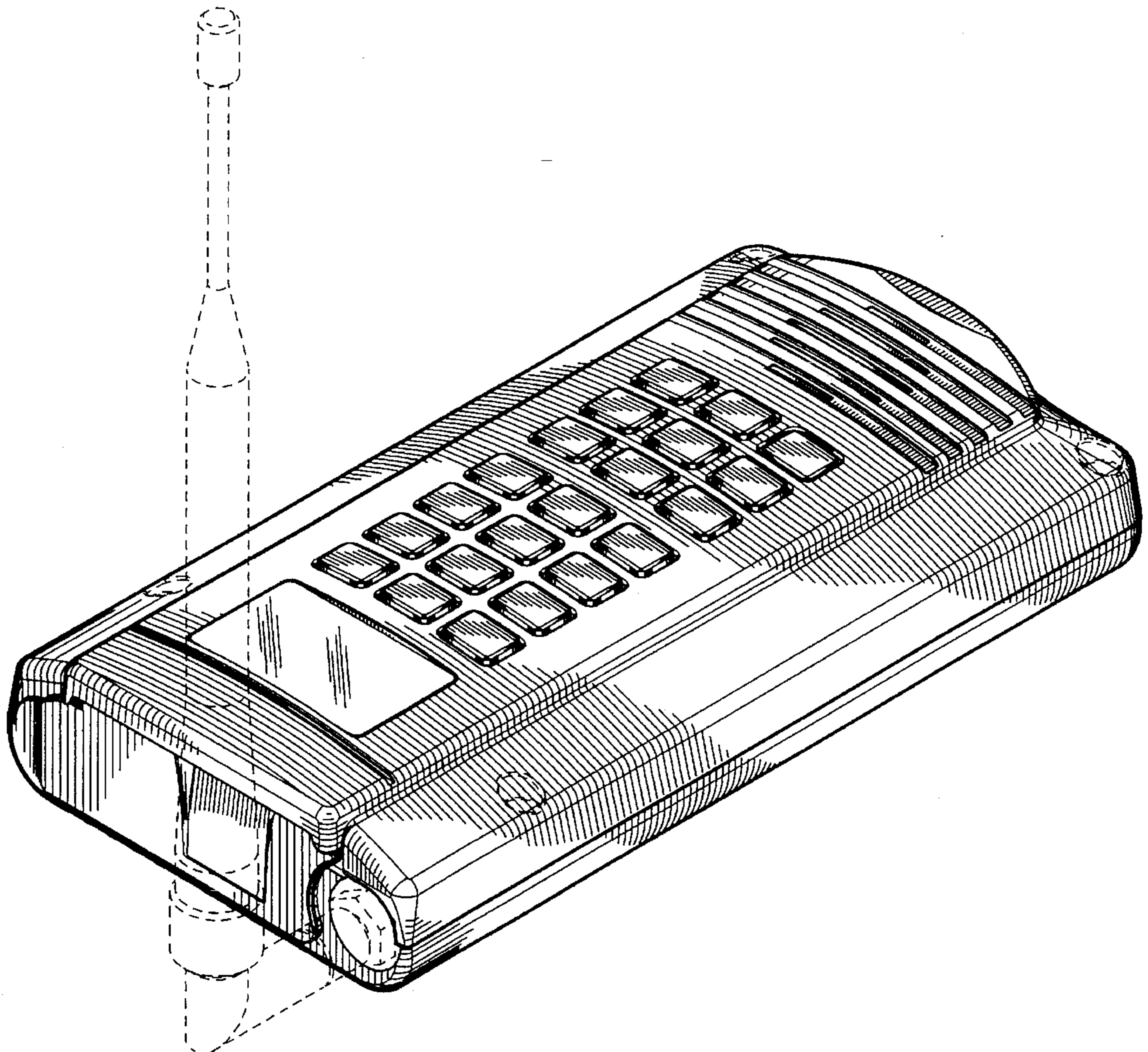
FIG. 1 is a top, front and left side perspective view of a housing for a telephone showing our new design;
FIG. 2 is a bottom plan view thereof;
FIG. 3 is a rear elevational view thereof; and,
FIG. 4 is a right side elevational view thereof.
The broken line showings throughout the views are for illustrative purposes only and form no part of the claimed design.

[56] **References Cited**

U.S. PATENT DOCUMENTS

D. 289,896 5/1987 Martensson et al. D14/138
D. 319,234 8/1991 Konno et al. D14/148 X
D. 325,730 4/1992 Van Der Zon D14/138

1 Claim, 3 Drawing Sheets



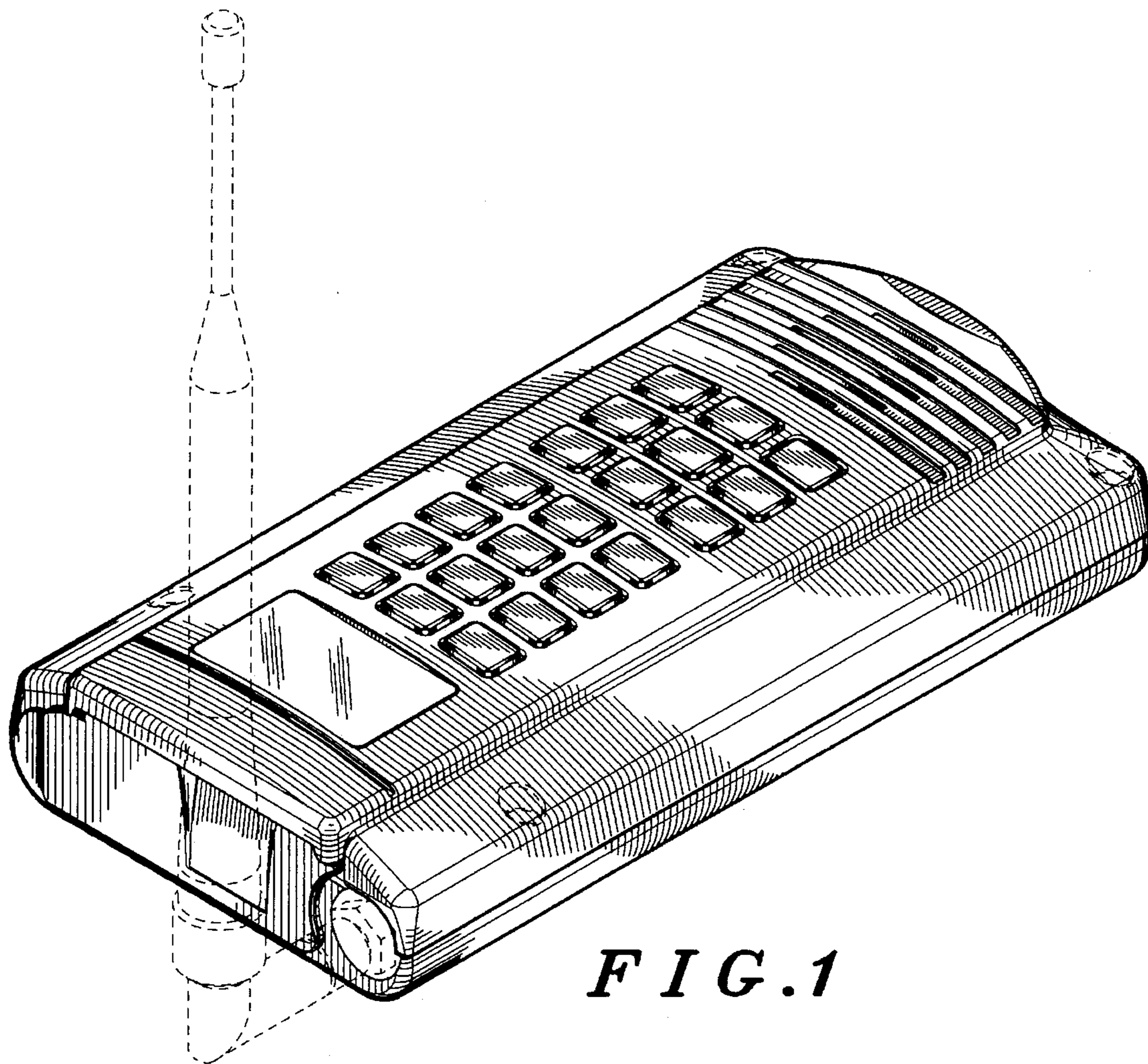


FIG. 1

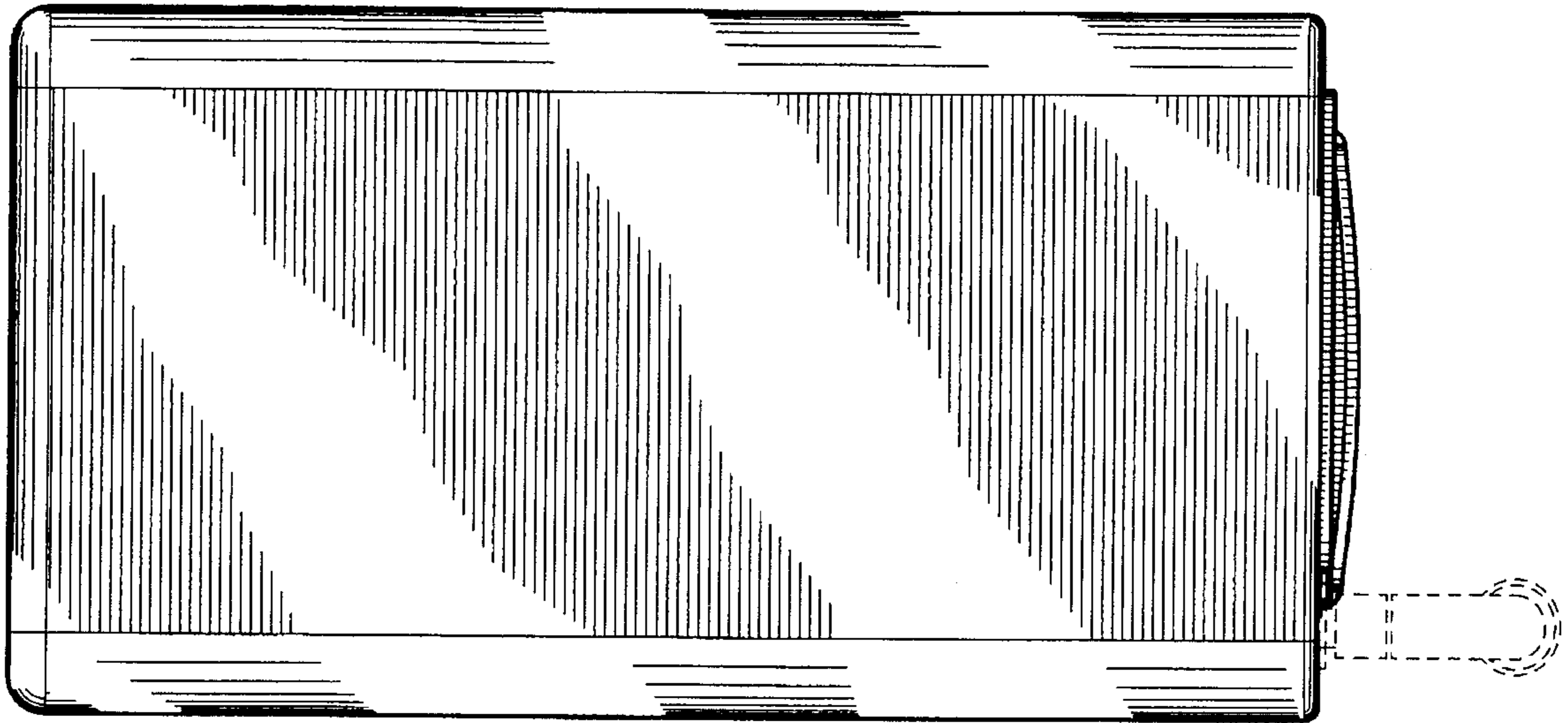


FIG. 2

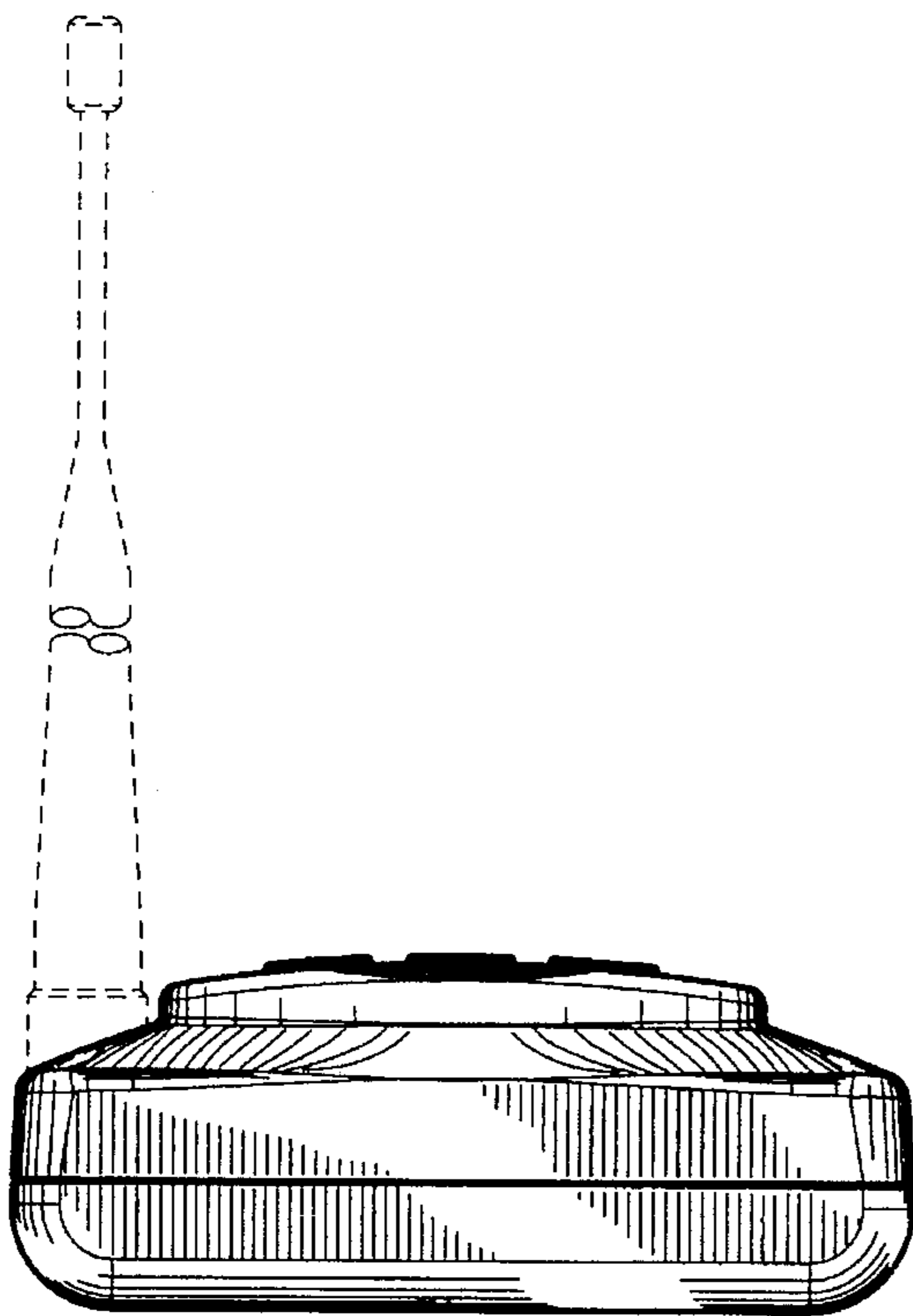


FIG. 3

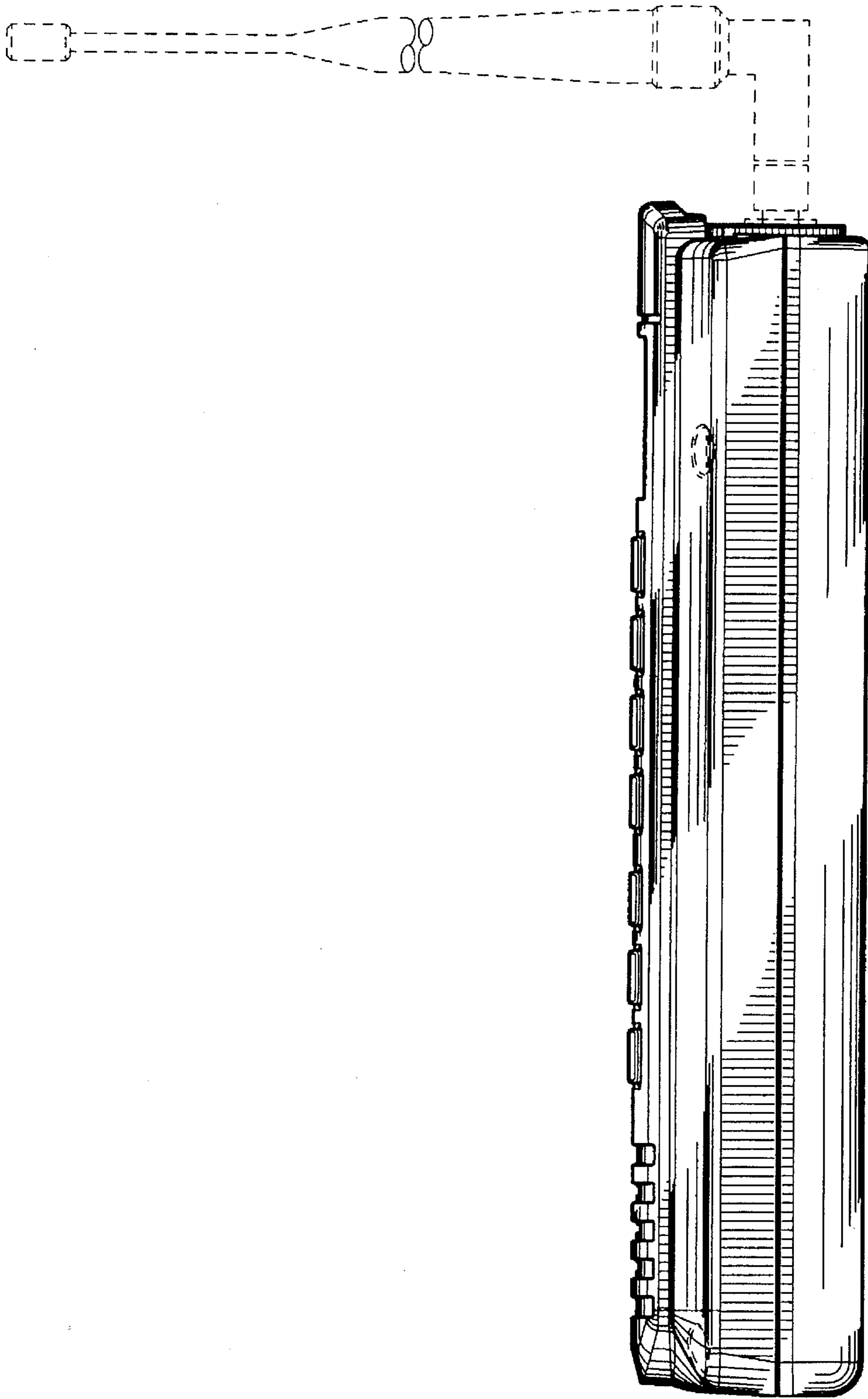


FIG. 4