



US00D377922S

**United States Patent** [19]  
**van der Meer et al.**

[11] **Patent Number:** **Des. 377,922**

[45] **Date of Patent:** **\*\*Feb. 11, 1997**

[54] **TIRE TREAD** 4,794,965 1/1989 Lagnier ..... 152/209 R

[75] Inventors: **Alex van der Meer**, Schieren,  
Luxembourg; **Paul B. Maxwell**,  
Munroe Falls, Ohio

[73] Assignee: **The Goodyear Tire & Rubber  
Company**, Akron, Ohio

[\*\*] Term: **14 Years**

[21] Appl. No.: **47,774**

[22] Filed: **Dec. 12, 1995**

[52] U.S. Cl. .... **D12/147**

[58] **Field of Search** ..... D12/141, 142,  
D12/143, 146, 147, 148; 152/209 R, 209 D

[56] **References Cited**

**U.S. PATENT DOCUMENTS**

|            |         |                     |         |
|------------|---------|---------------------|---------|
| D. 247,107 | 1/1978  | Jamain .....        | D12/146 |
| D. 253,644 | 12/1979 | Peron .....         | D12/146 |
| D. 269,005 | 5/1983  | Hammond et al. .... | D12/147 |
| D. 318,445 | 7/1991  | Diensthuber .....   | D12/147 |
| D. 354,026 | 1/1995  | McKisson .....      | D12/146 |
| D. 362,215 | 9/1995  | White .....         | D12/147 |
| D. 365,053 | 12/1995 | White .....         | D12/146 |

**OTHER PUBLICATIONS**

Hankook Steel Radial 825 tire, *1995 Tread Design Guide*, p.  
35, second row, far left.

*Primary Examiner*—James Gandy  
*Assistant Examiner*—Robert M. Spear  
*Attorney, Agent, or Firm*—David L. King

[57] **CLAIM**

The ornamental design for a tire tread, as shown and  
described.

**DESCRIPTION**

FIG. 1 is a perspective view of a tire tread showing our new  
design it being understood that the tread pattern is repeated  
through the circumference thereof;

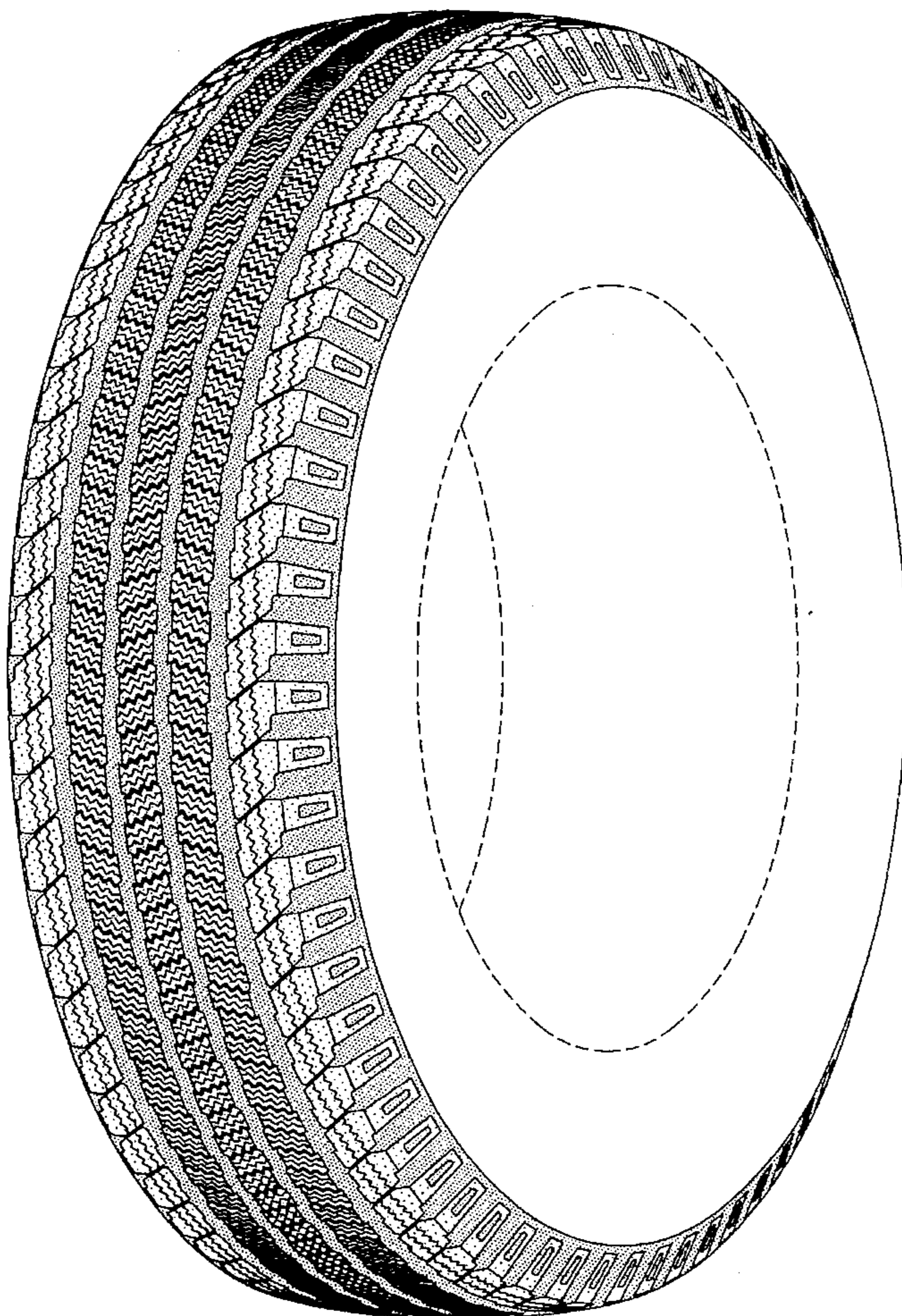
FIG. 2 is a front elevational view thereof;

FIG. 3 is a side elevational view thereof; and,

FIG. 4 is an enlarged fragmentary view of a portion of the  
tire tread as illustrated in FIG. 2.

The broken line showing of a tire sidewall is for illustrative  
purposes only and forms no part of the claimed design.

**1 Claim, 4 Drawing Sheets**





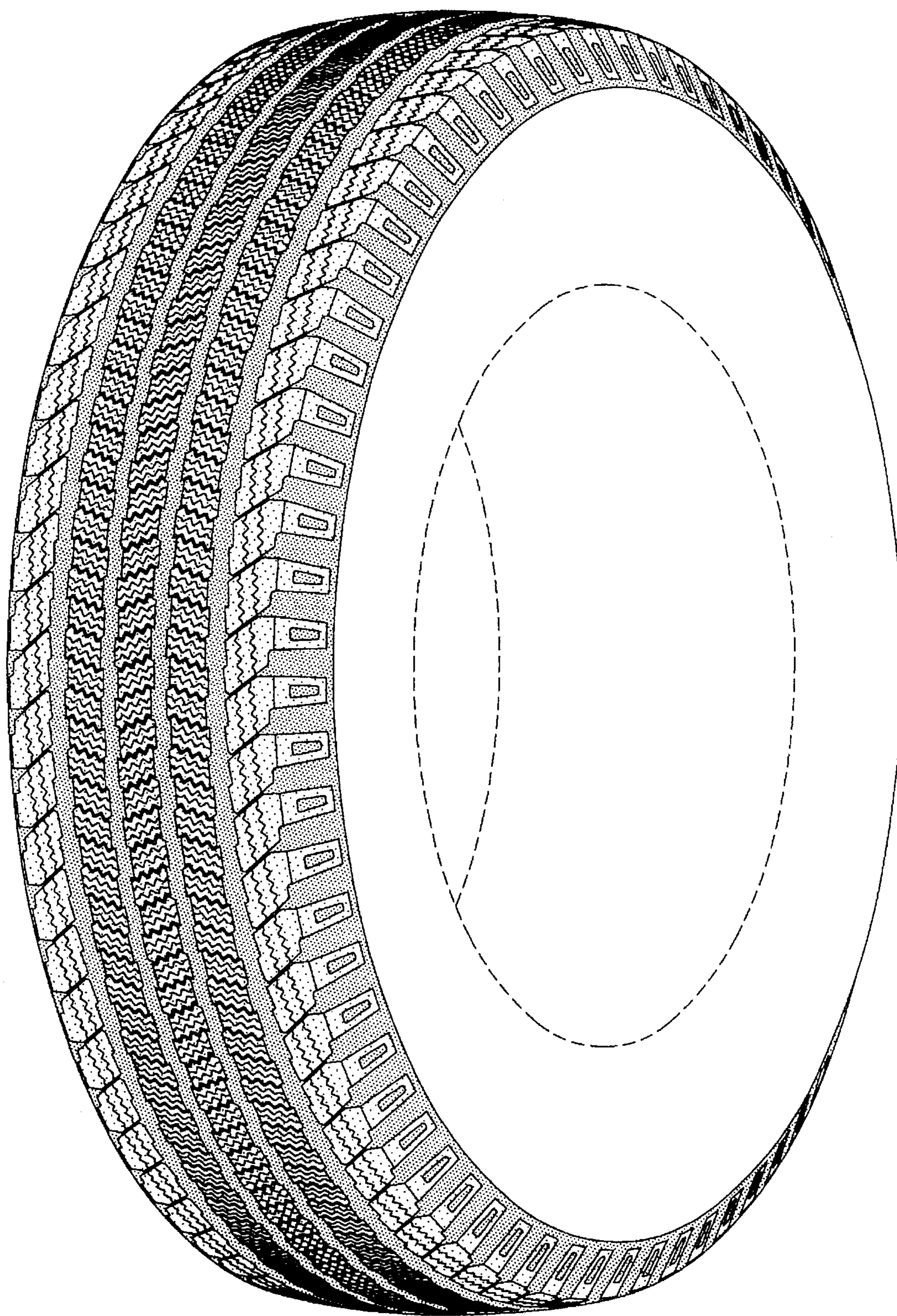


FIG-1



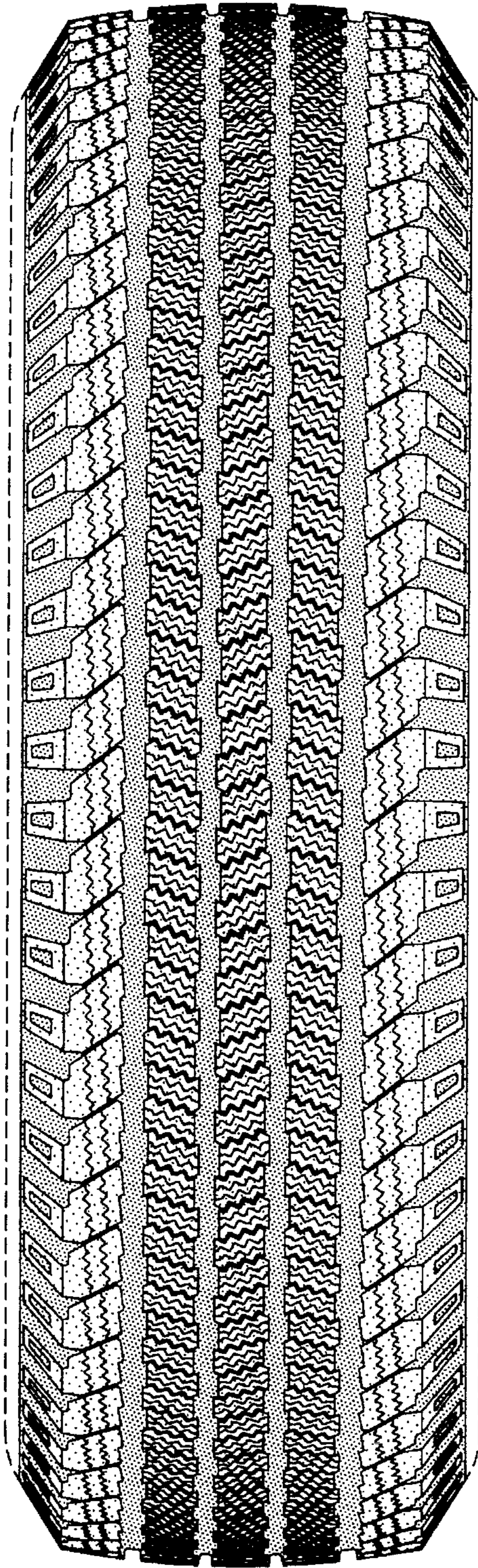


FIG-2

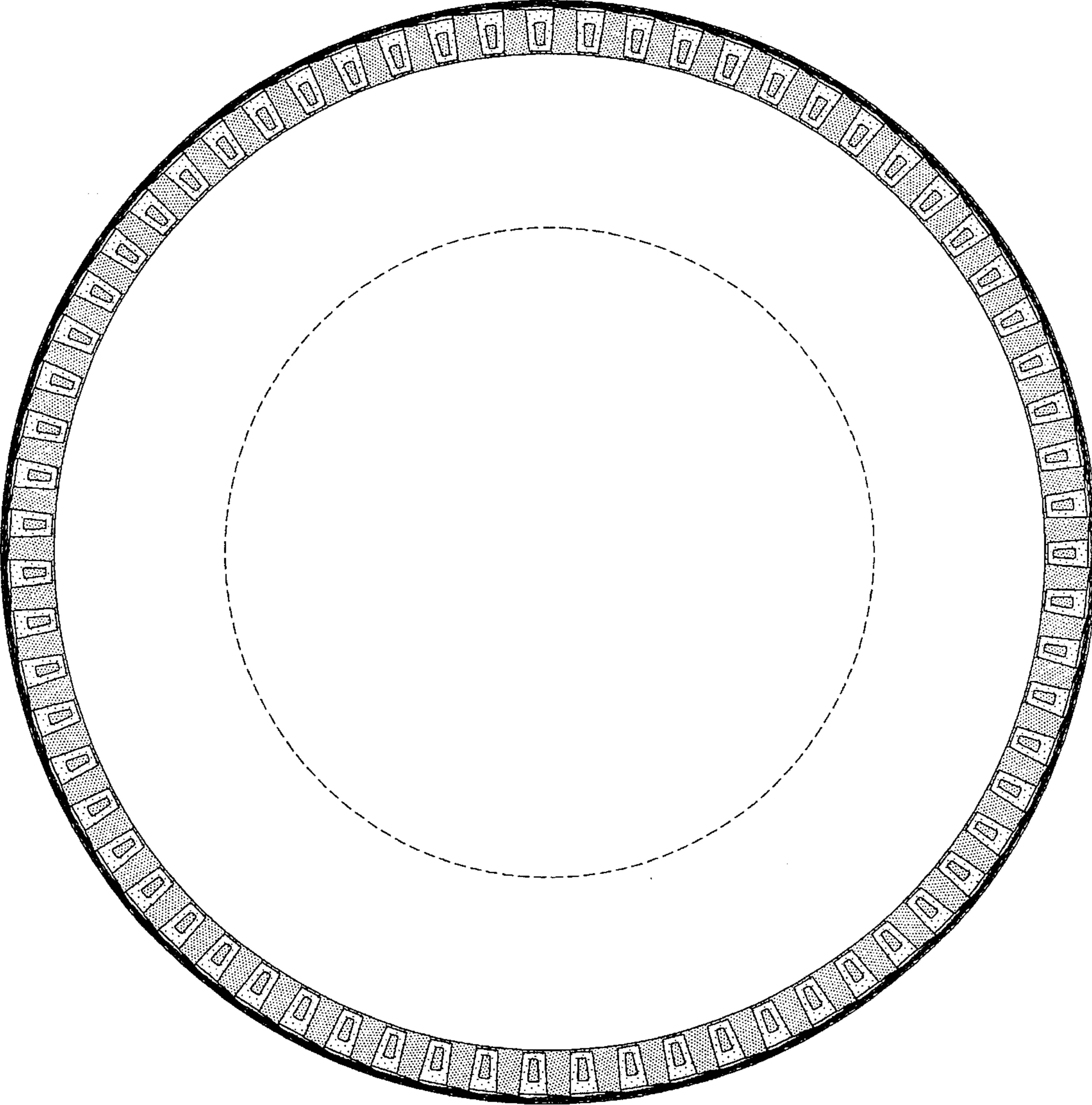


FIG-3



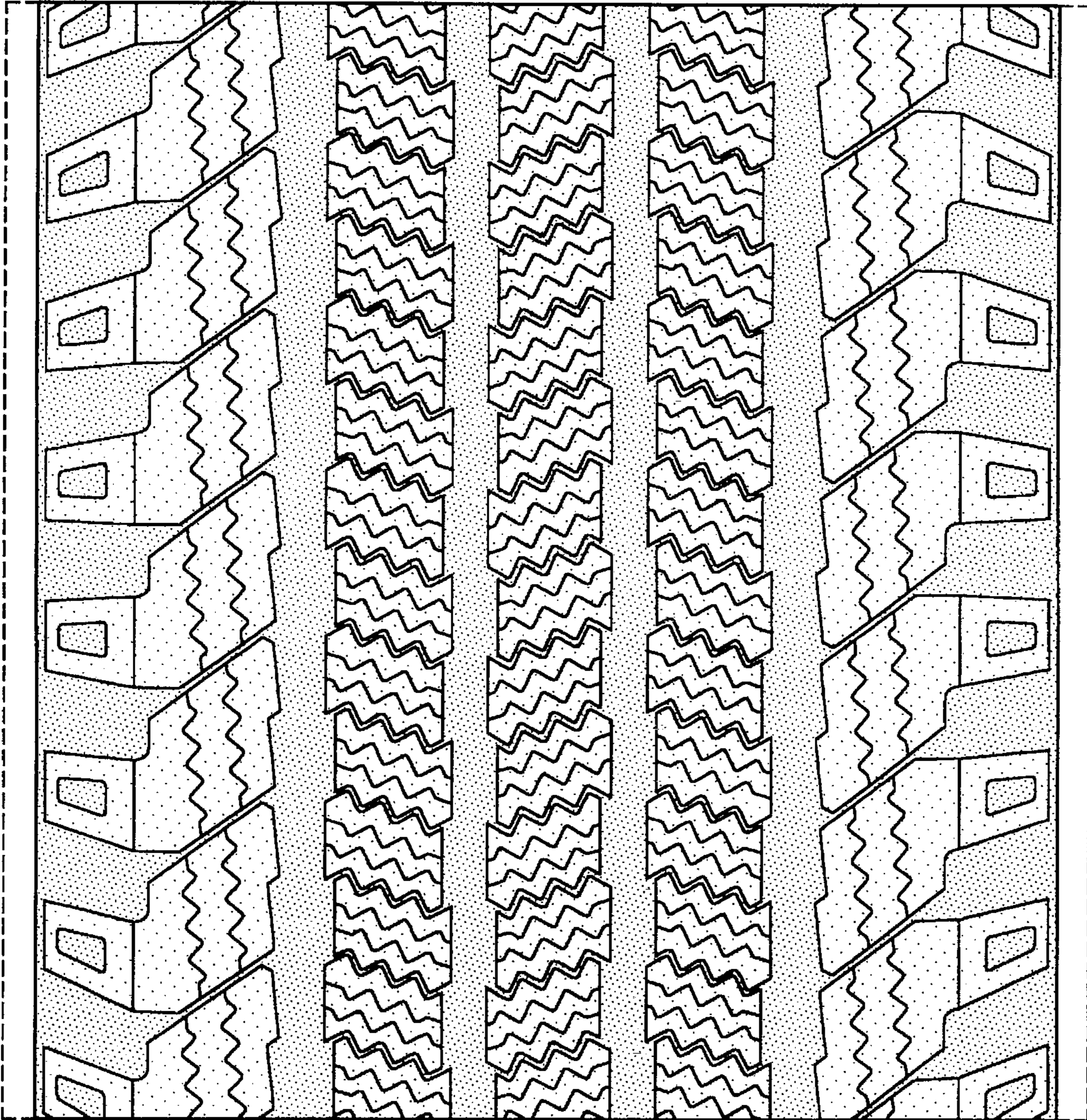


FIG-4