



US00D377920S

United States Patent [19]
von Giese

[11] **Patent Number: Des. 377,920**

[45] **Date of Patent: **Feb. 11, 1997**

[54] **BICYCLE SEATPOST CONNECTOR**

DESCRIPTION

[75] Inventor: **Mark von Giese**, Morgan Hill, Calif.

[73] Assignee: **VG Components**, Morgan Hill, Calif.

[**] Term: **14 Years**

[21] Appl. No.: **27,631**

[22] Filed: **Aug. 25, 1994**

[52] U.S. Cl. **D12/119**

[58] Field of Search D12/111, 119;
403/82, 84, 87; 297/195.1

[56] **References Cited**

U.S. PATENT DOCUMENTS

| | | | | |
|-----------|---------|---------|-------|-------------|
| 4,369,999 | 1/1983 | Kashima | | 297/195.1 |
| 4,783,119 | 11/1988 | Moses | | 403/84 X |
| 5,330,283 | 7/1994 | Ballard | | 297/195.1 X |

Primary Examiner—Holly H. Baynham

Attorney, Agent, or Firm—Carol D. Titus; Leary, Titus & Aiello

[57] **CLAIM**

The ornamental design for a bicycle seatpost connector, as shown and described.

FIG. 1 is an environmental right side view of a bicycle seatpost connector with the broken line showing of a fragmented post and a bicycle seat being for illustrative purposes only and forming no part of the claimed design;

FIG. 2 shows an exploded view of the bicycle seatpost connector;

FIG. 3 is a top view of the bicycle seatpost connector;

FIG. 4 is a front view of the bicycle seatpost connector;

FIG. 5 is a left side view of the bicycle seatpost connector;

FIG. 6 is a rear view of the bicycle seatpost connector;

FIG. 7 is a right side view of the bicycle seatpost connector;

FIG. 8 is a bottom view of the bicycle seatpost connector;

FIG. 9 is a top view of a second embodiment of the design shown in FIG. 1;

FIG. 10 is a front view of the bicycle seatpost connector;

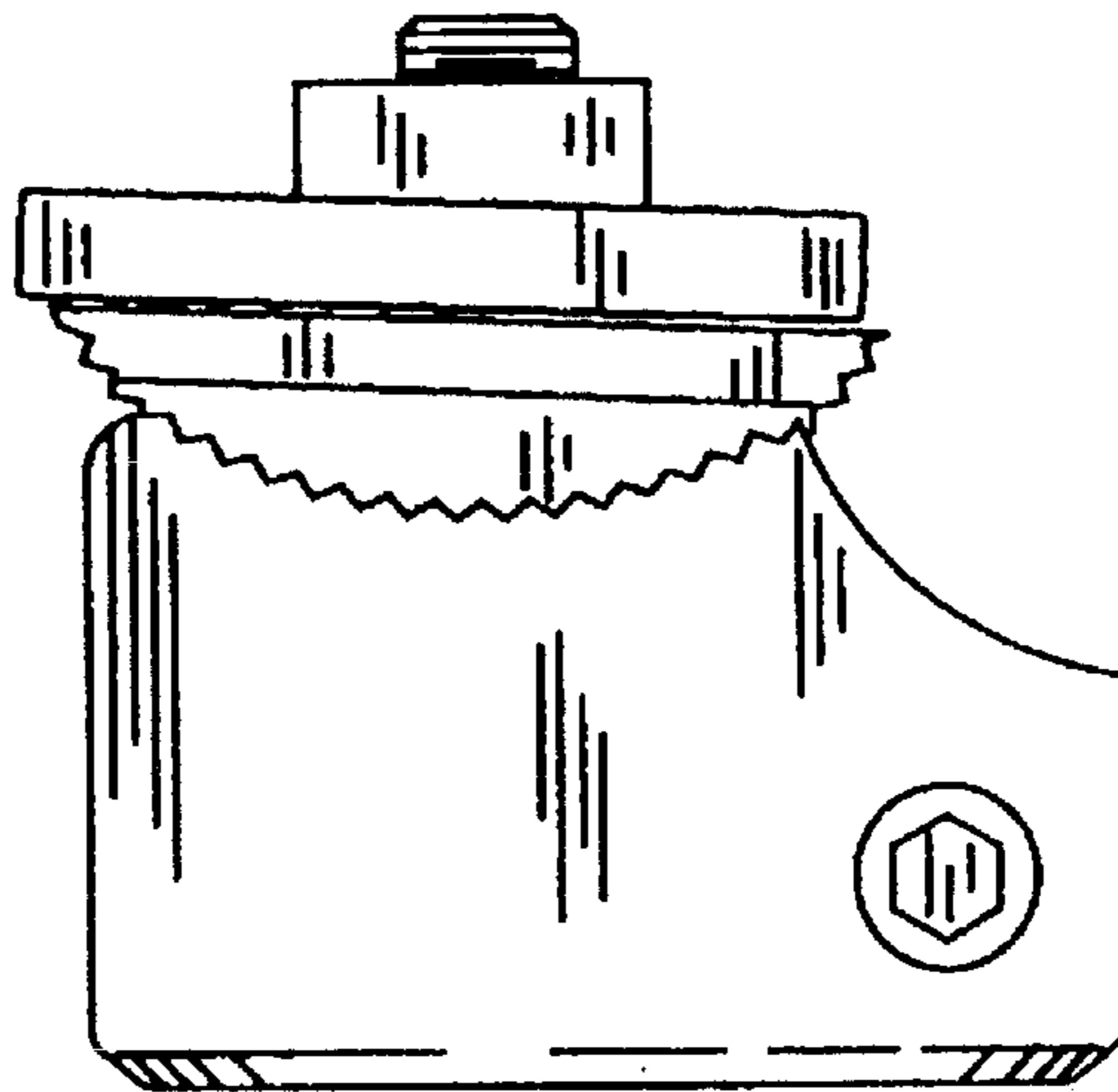
FIG. 11 is a left side view of the bicycle seatpost connector;

FIG. 12 is a rear view of the bicycle seatpost connector;

FIG. 13 is a right side view of the bicycle seatpost connector; and,

FIG. 14 is a bottom view of the bicycle seatpost connector.

1 Claim, 4 Drawing Sheets



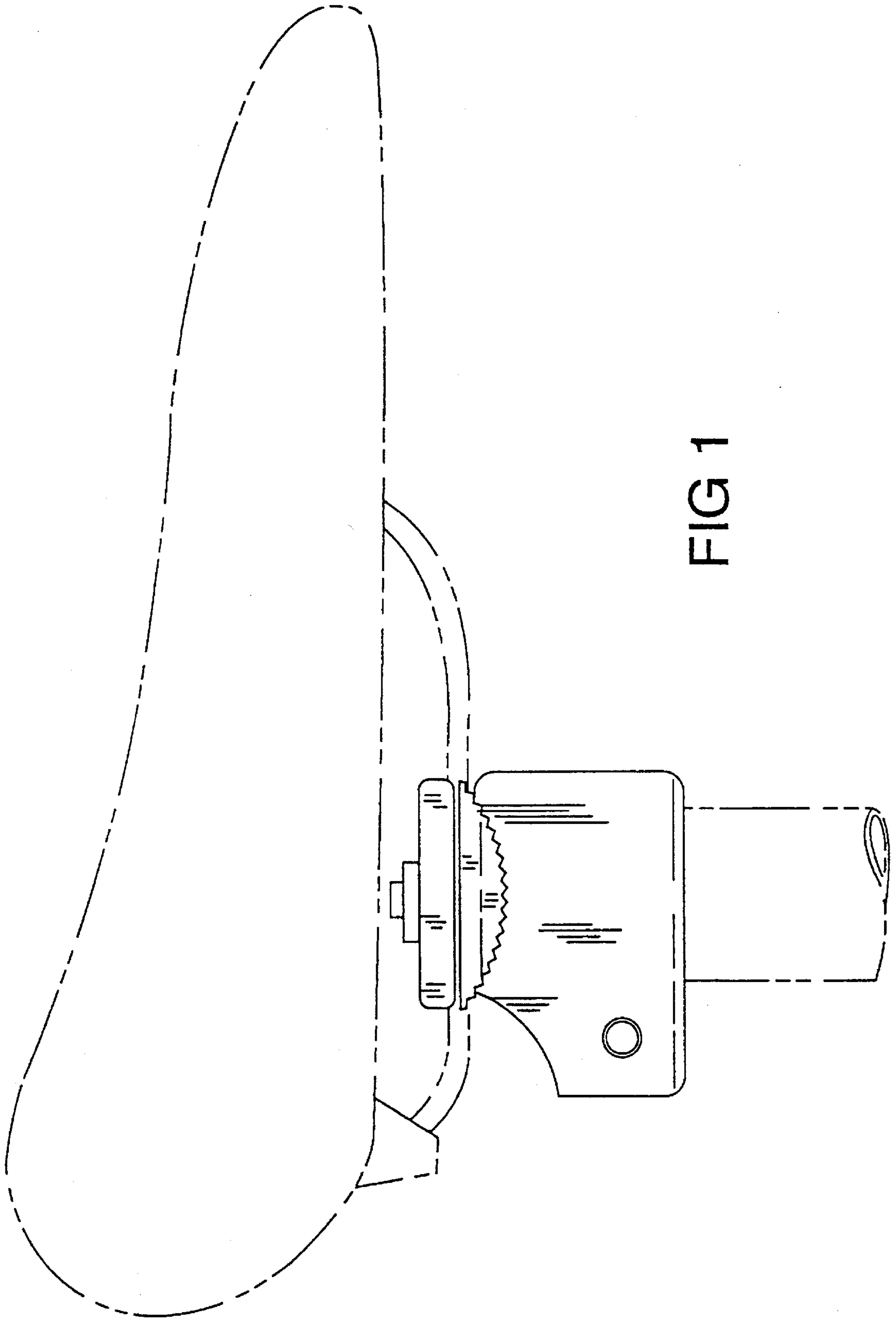


FIG 1

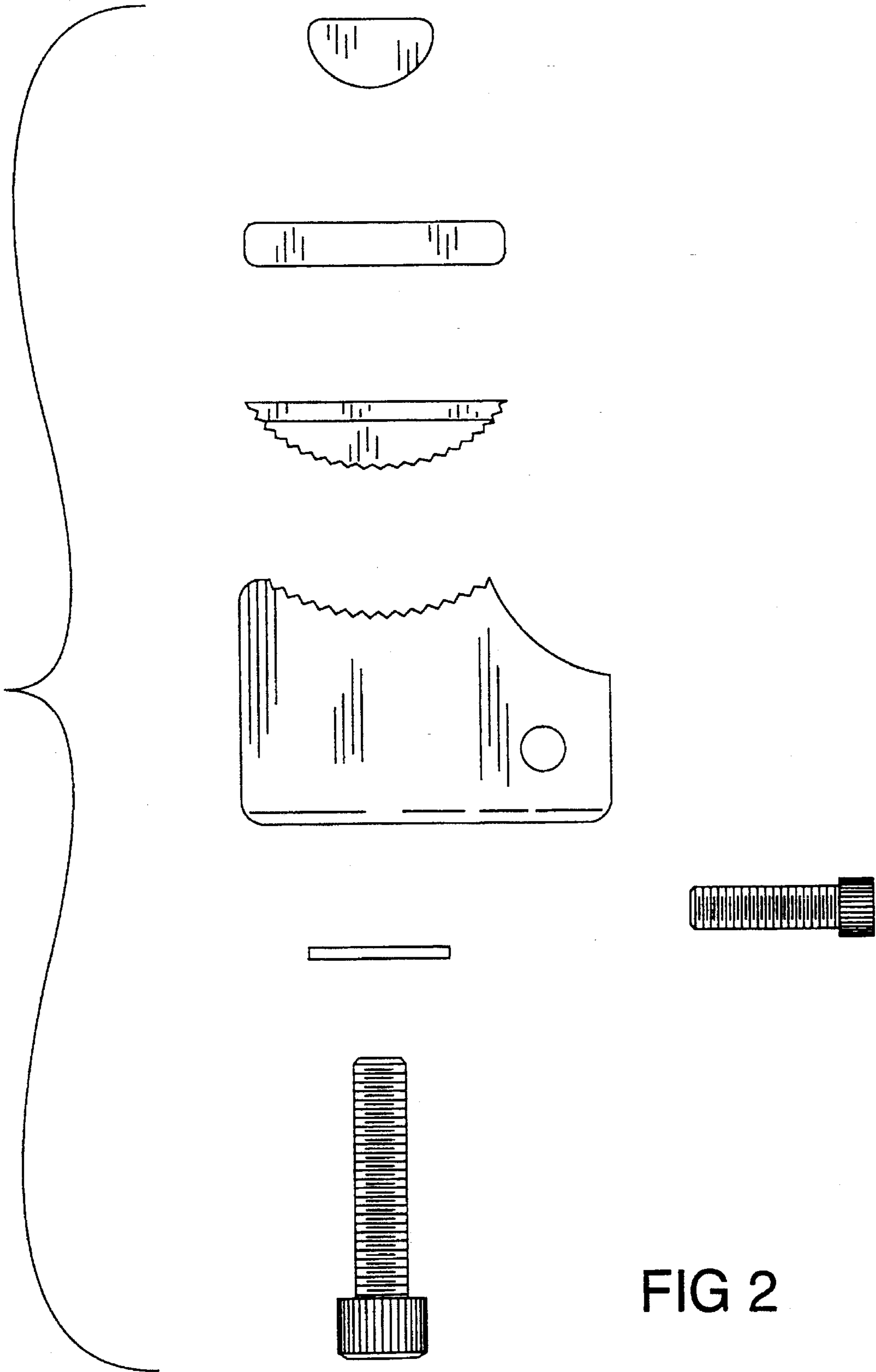


FIG 2

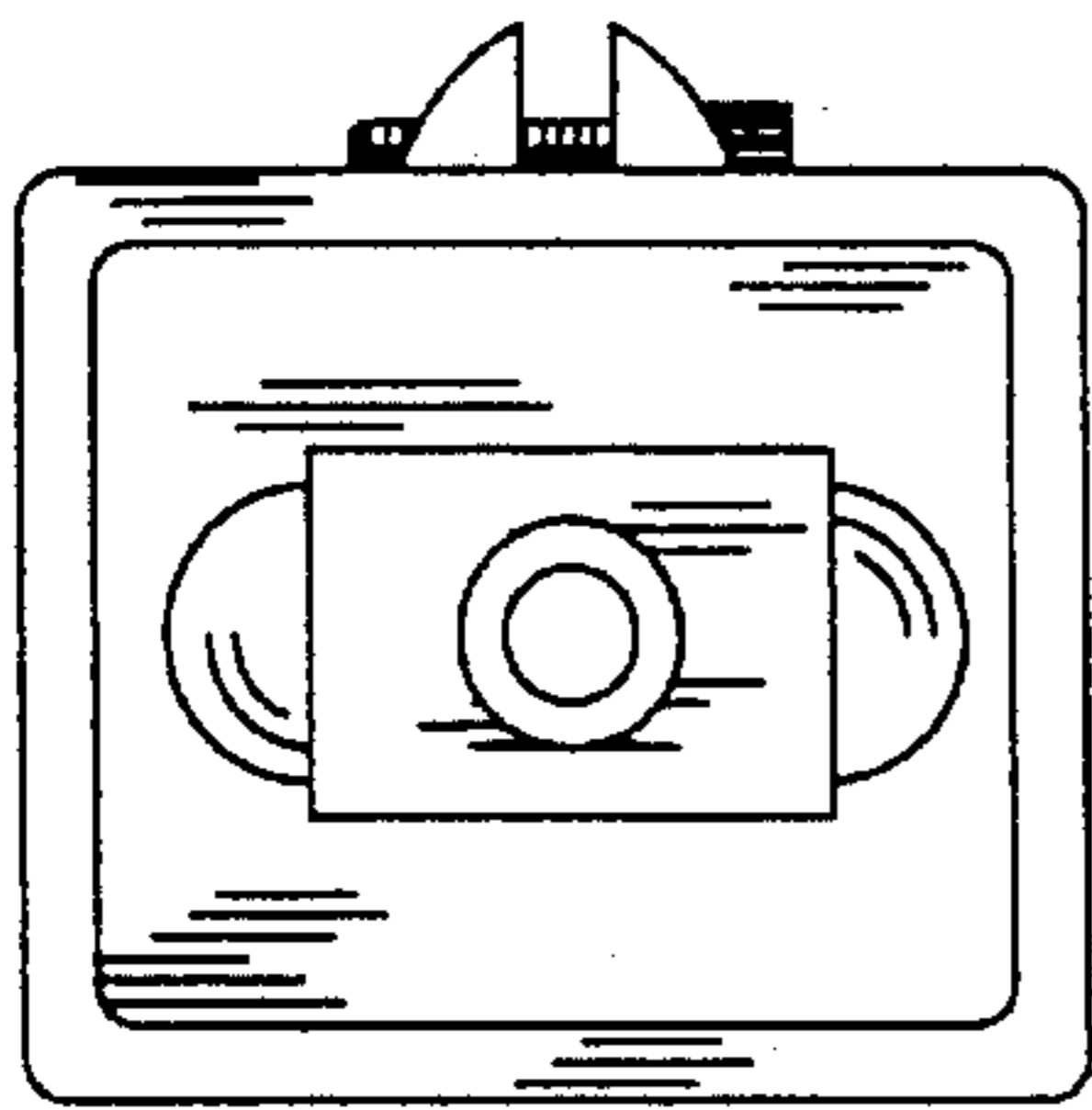


FIG 3

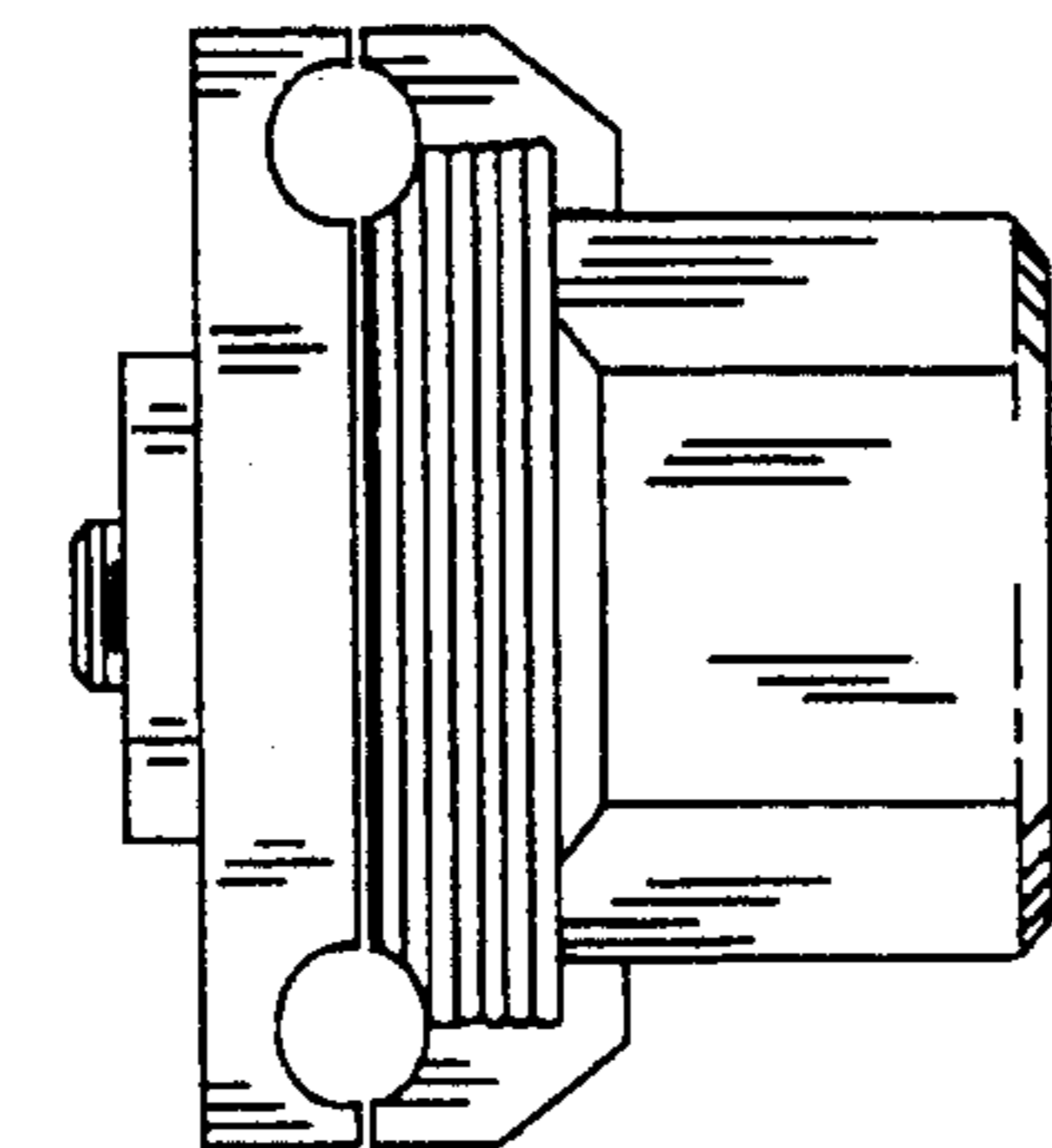


FIG 4

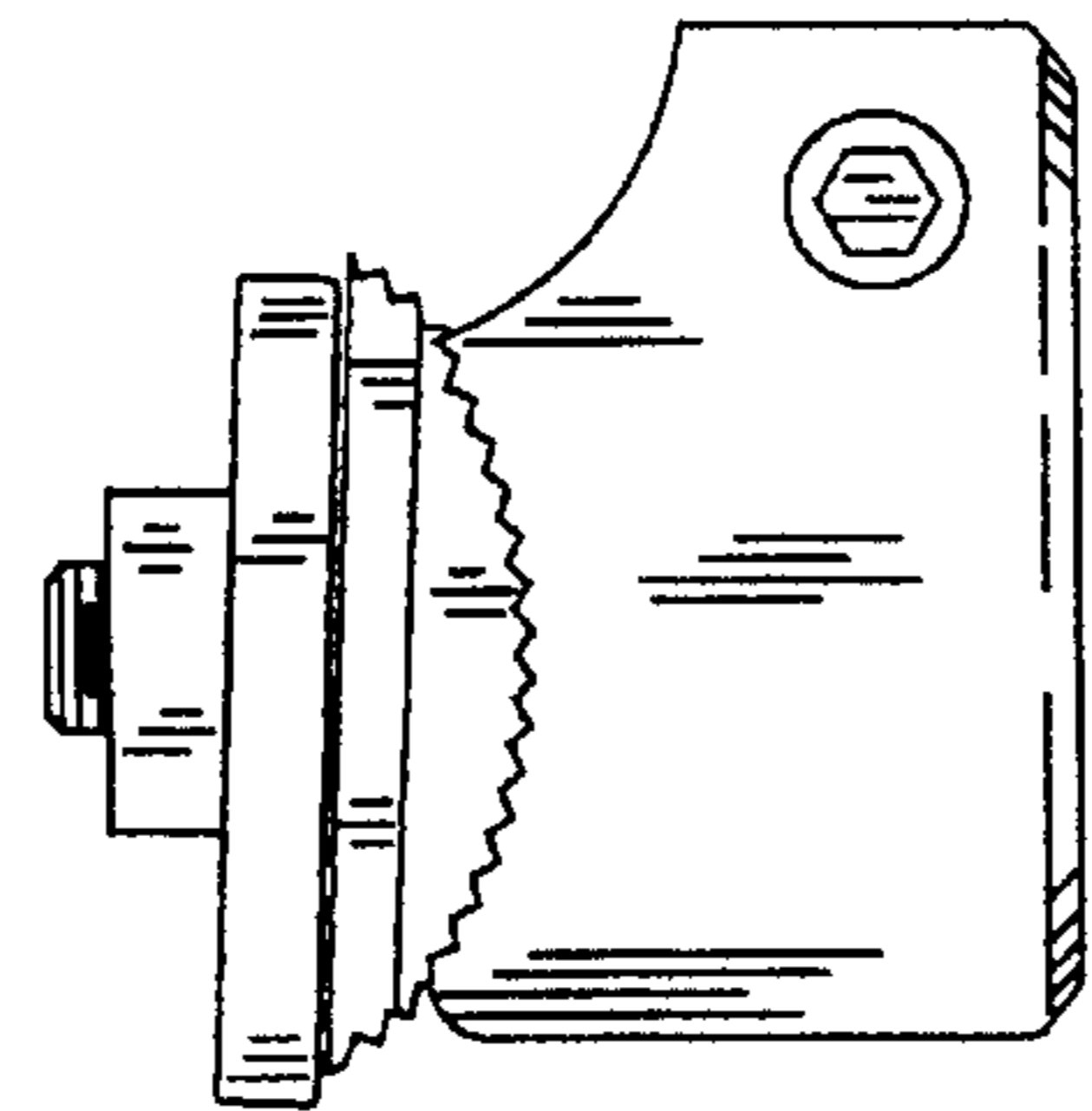


FIG 5

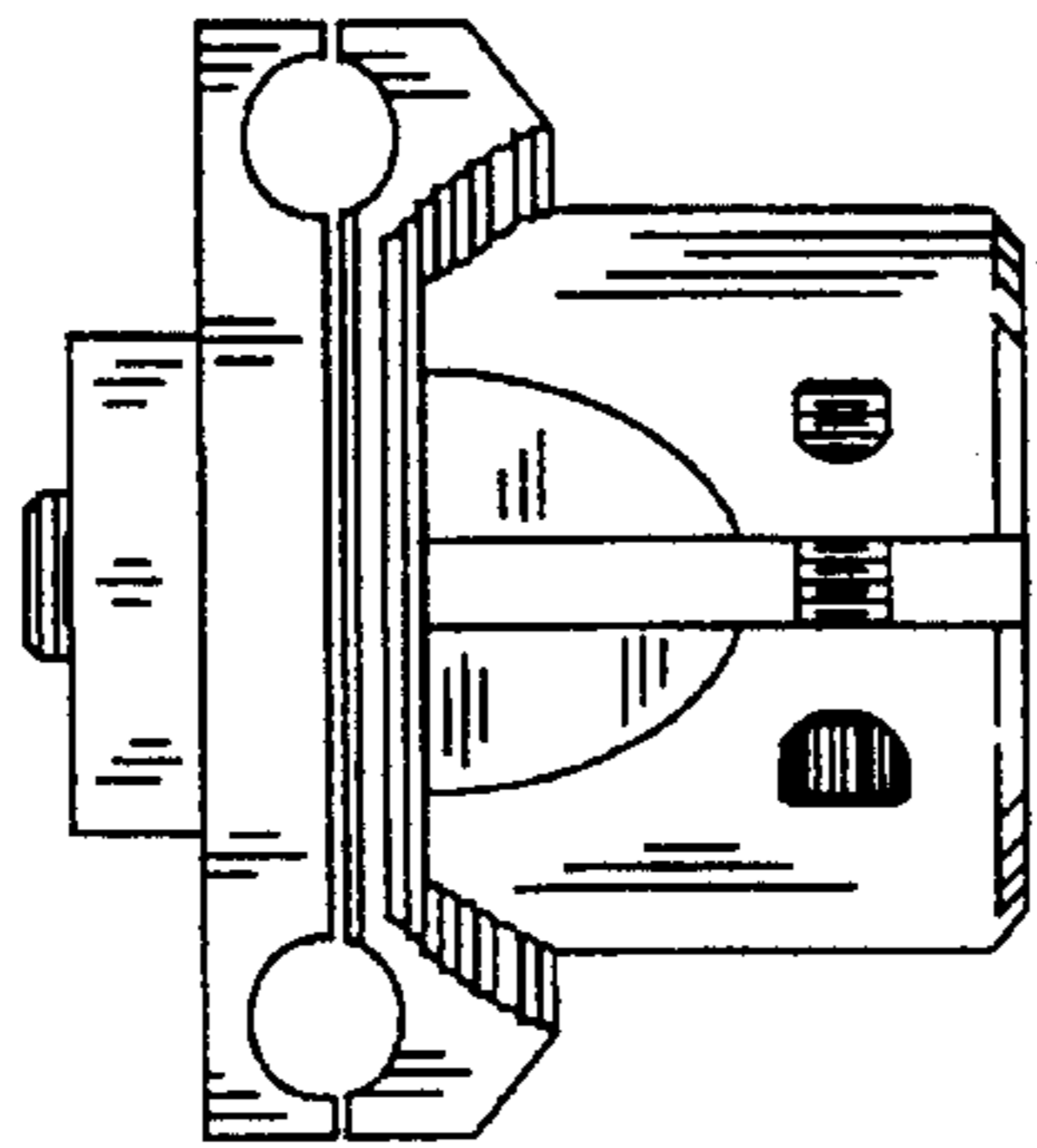


FIG 6

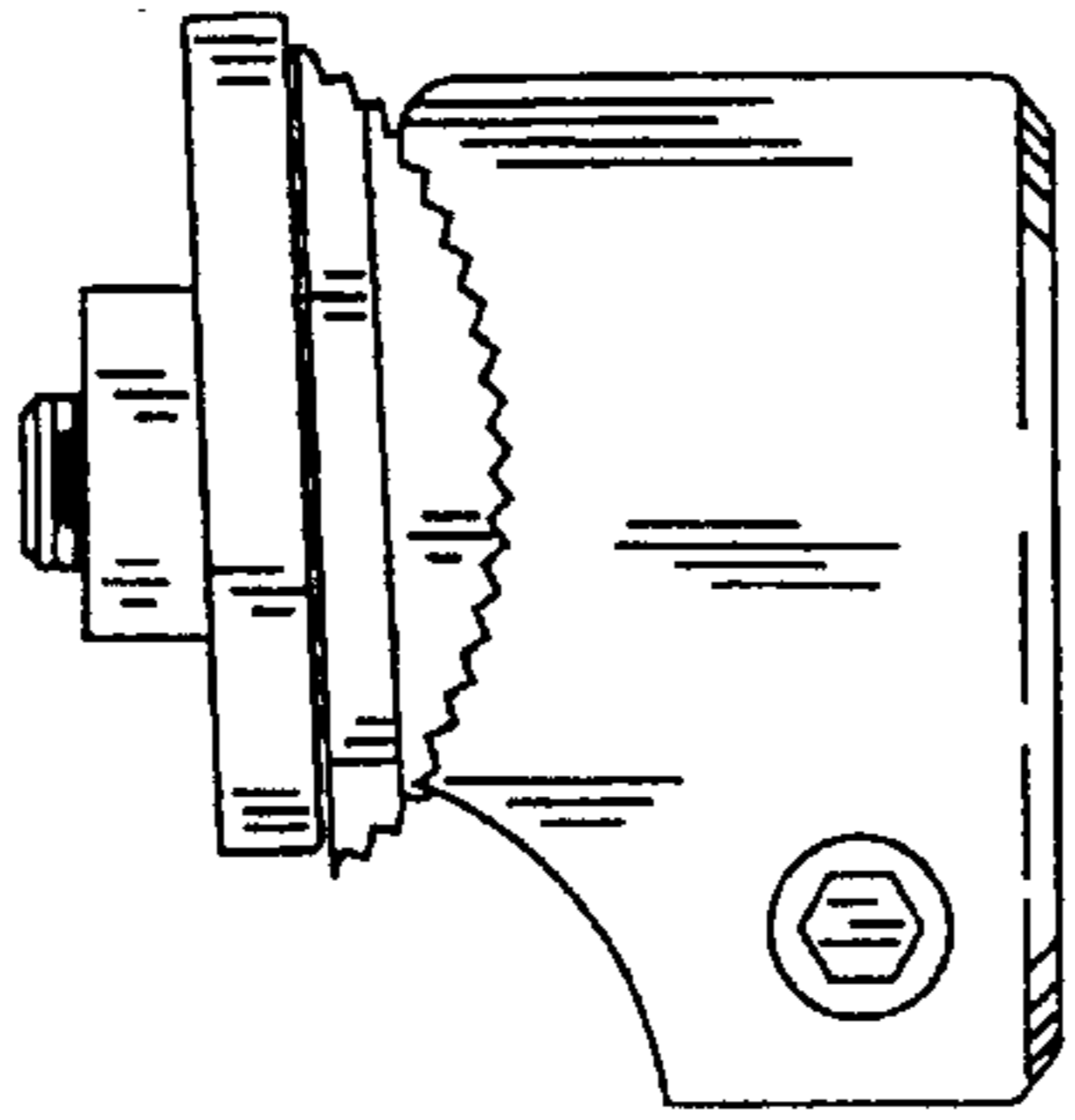


FIG 7

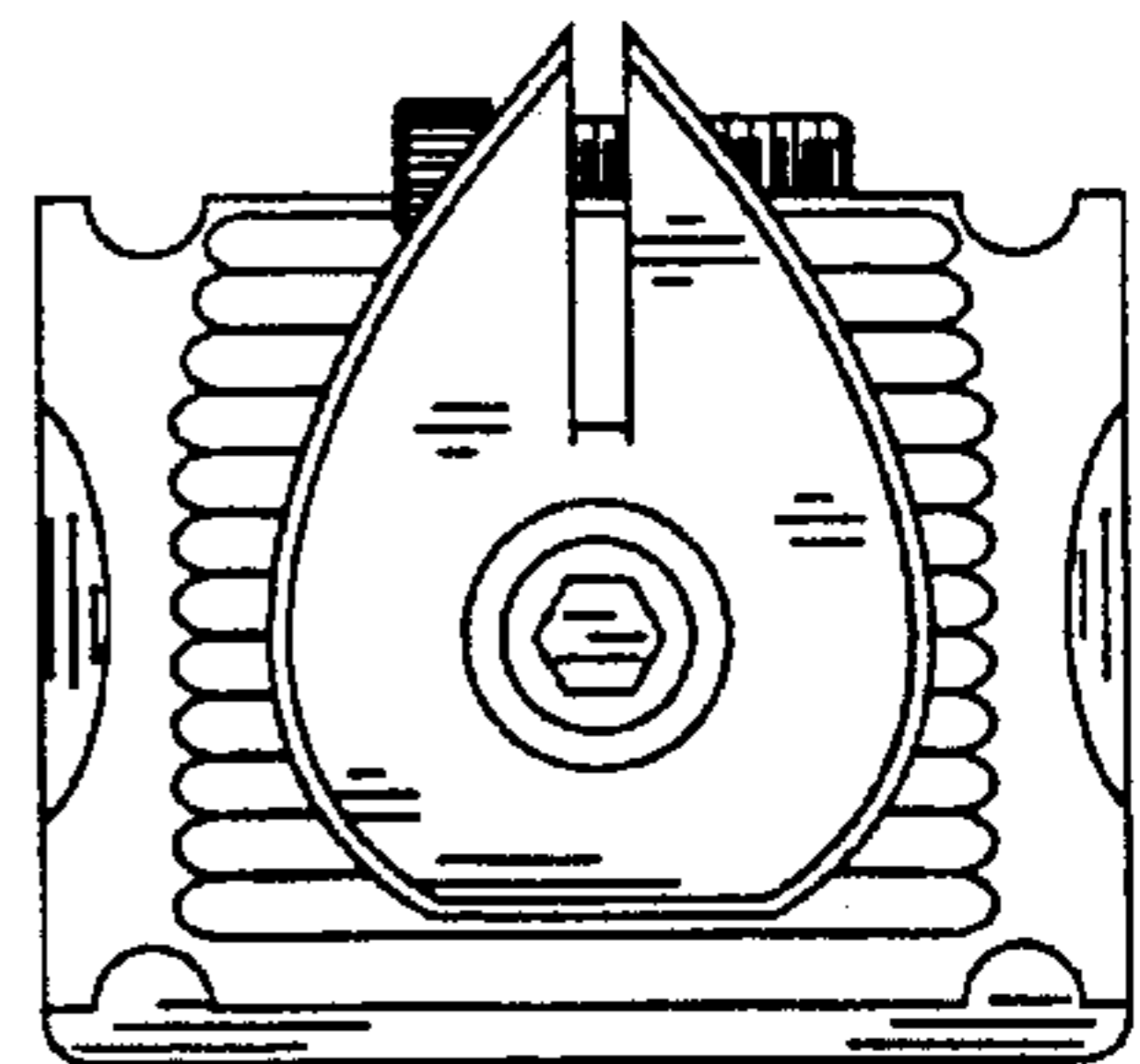


FIG 8

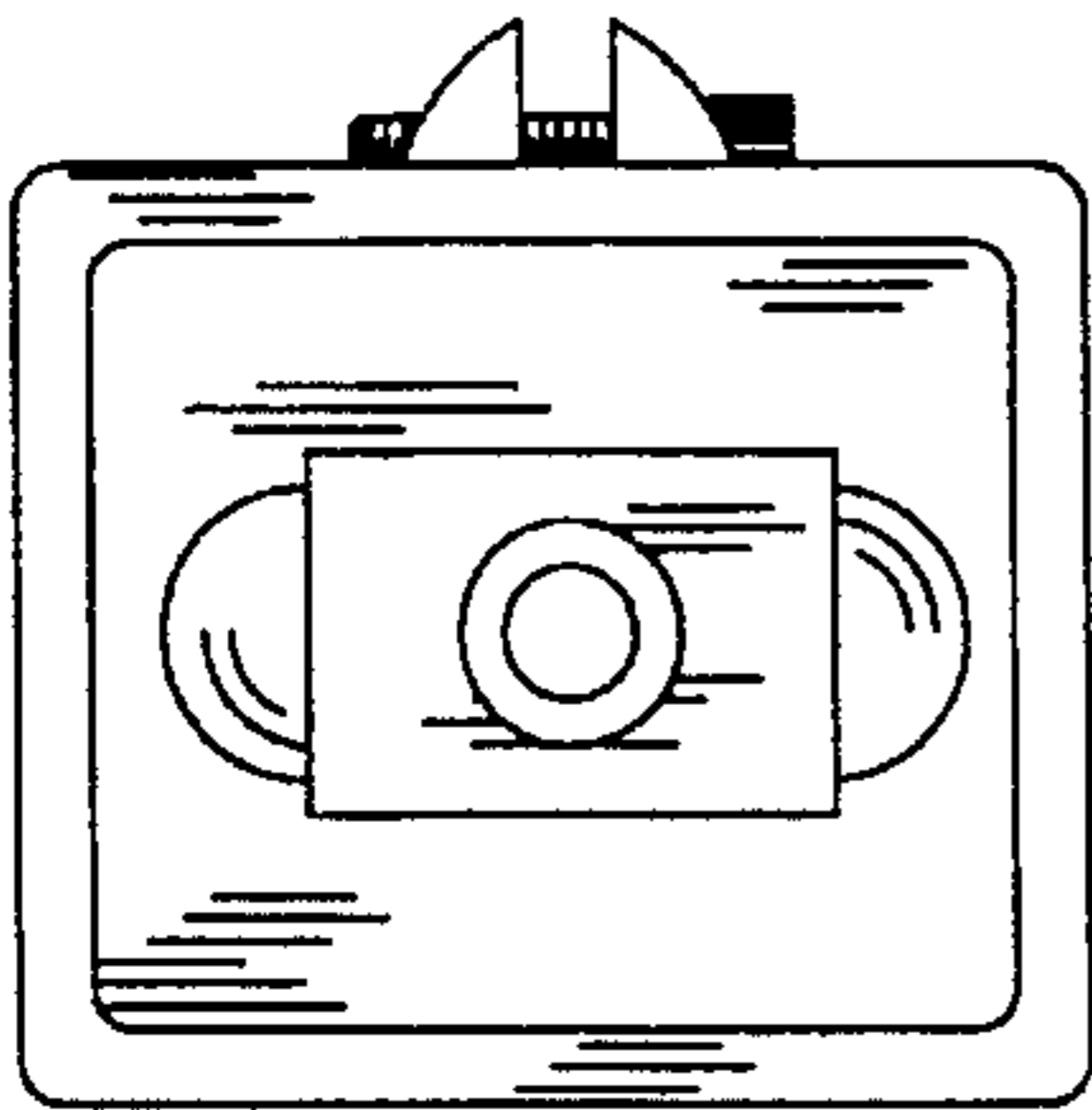


FIG 9

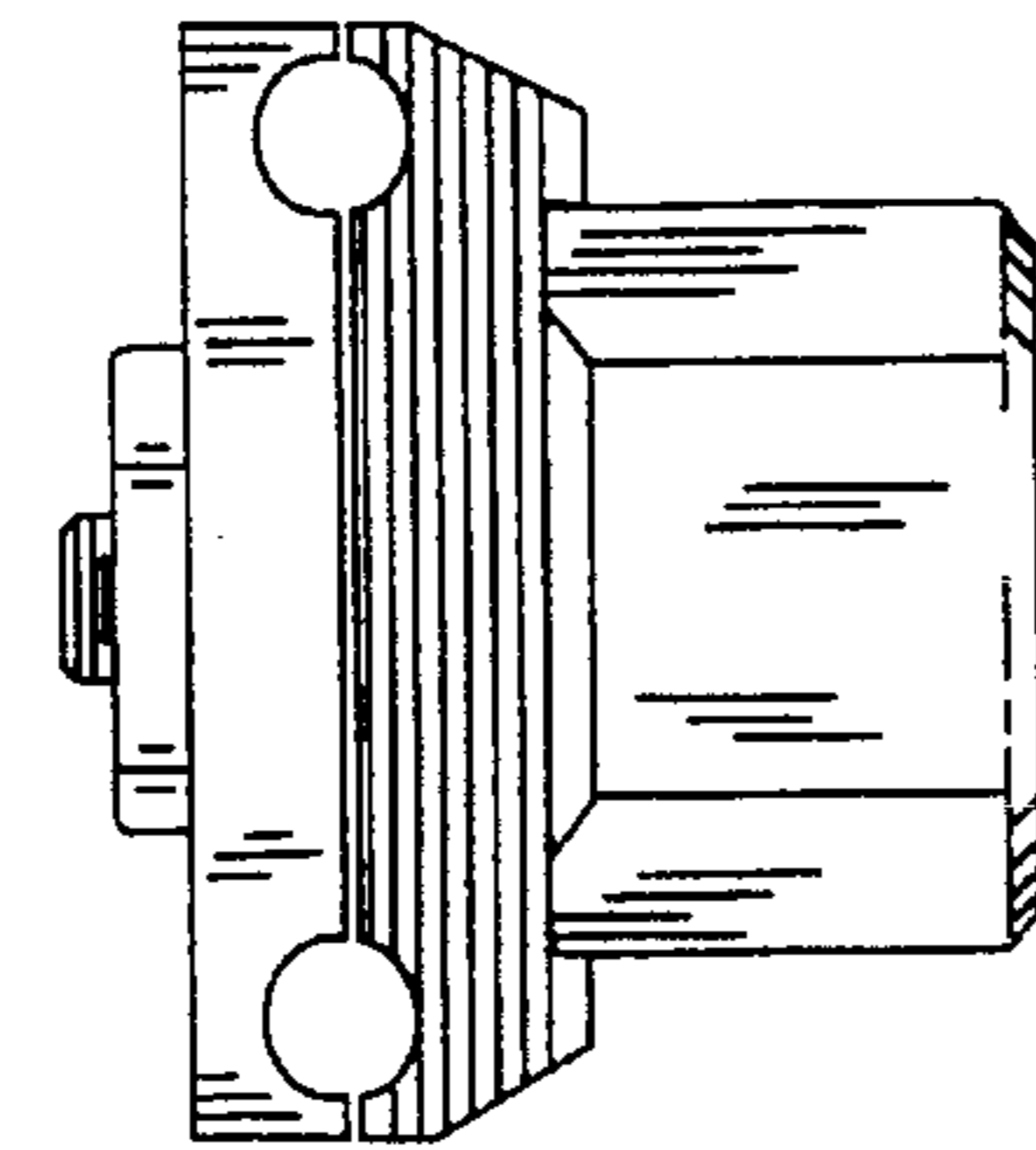


FIG 10

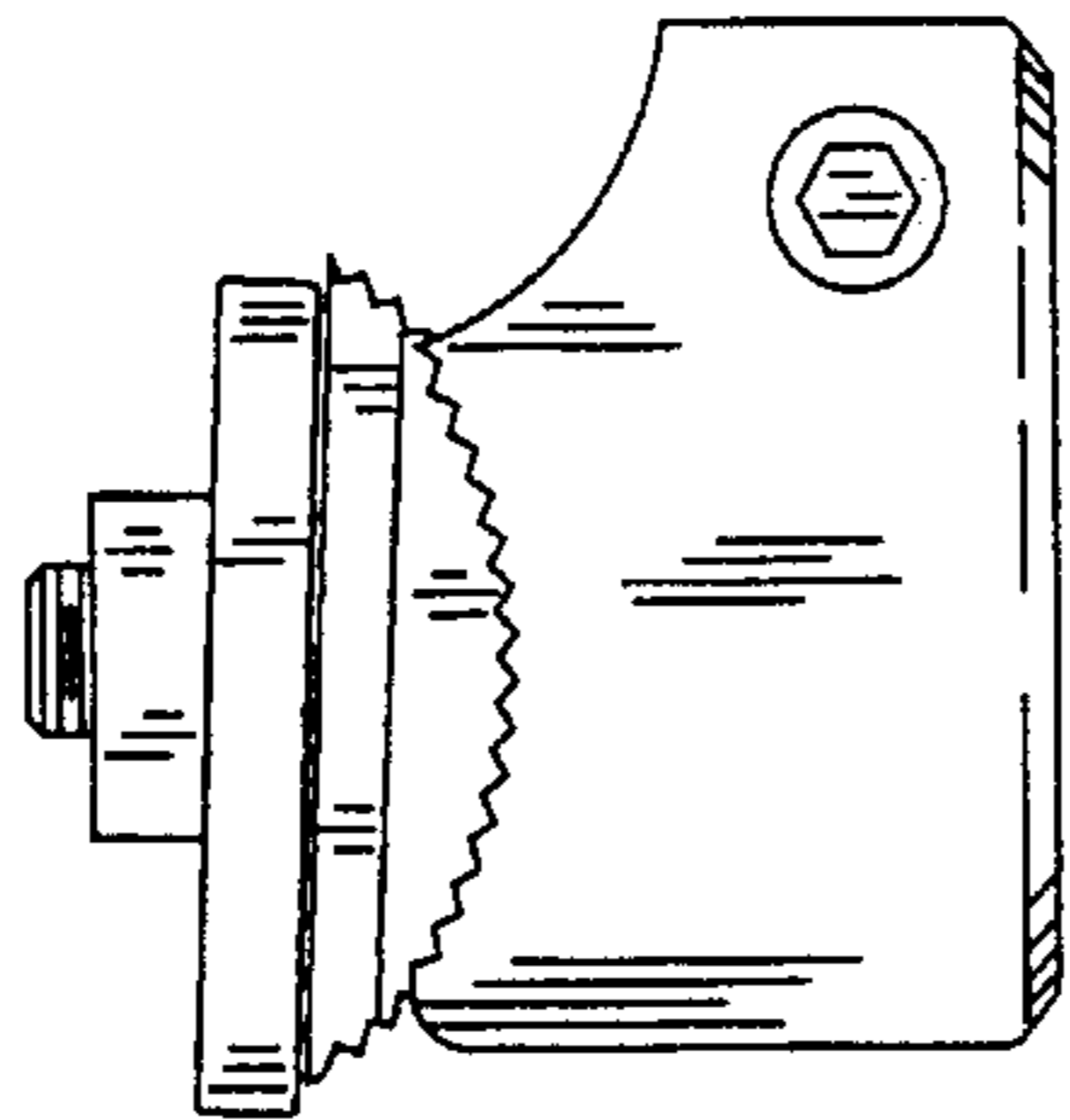


FIG 11

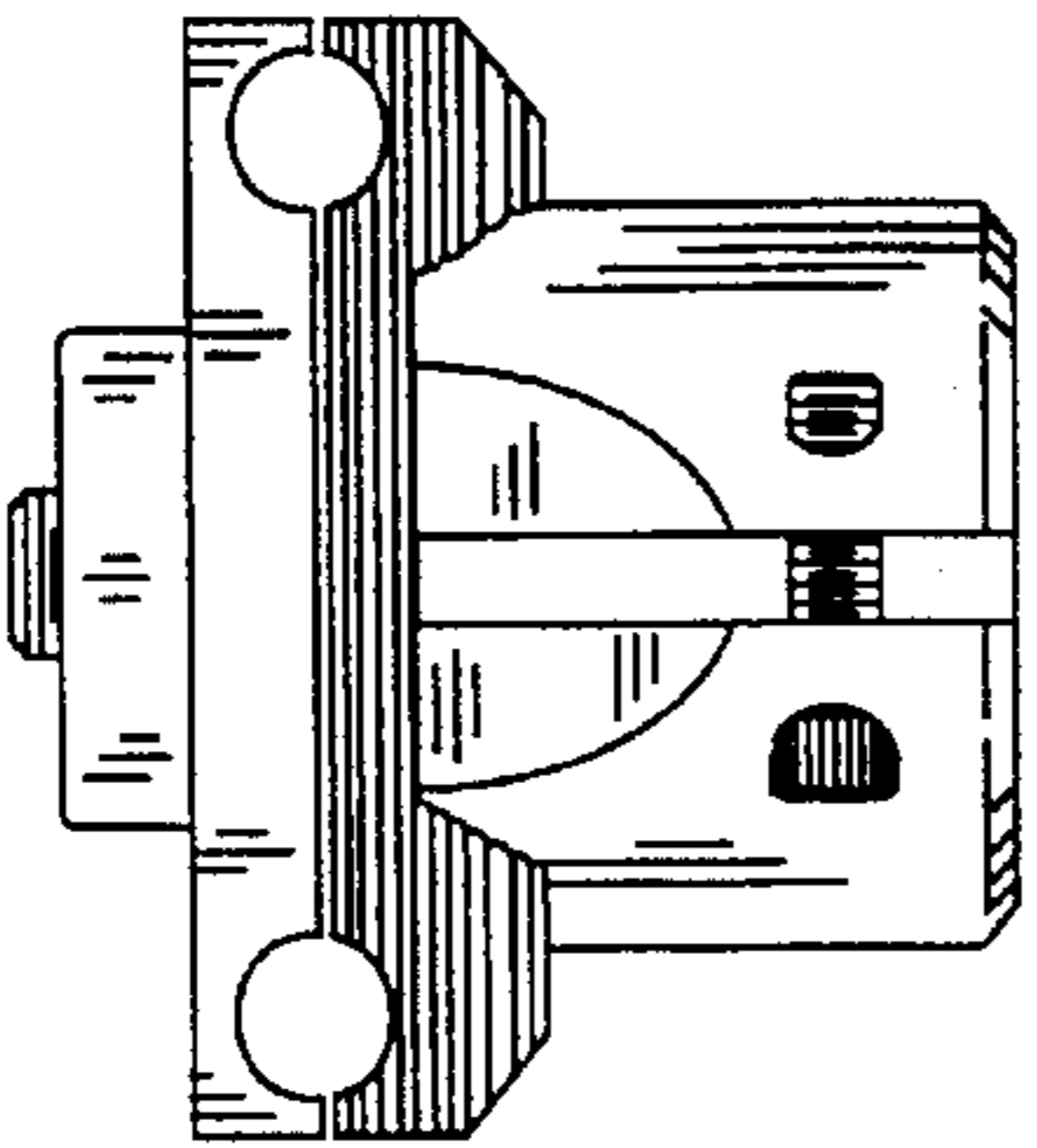


FIG 12

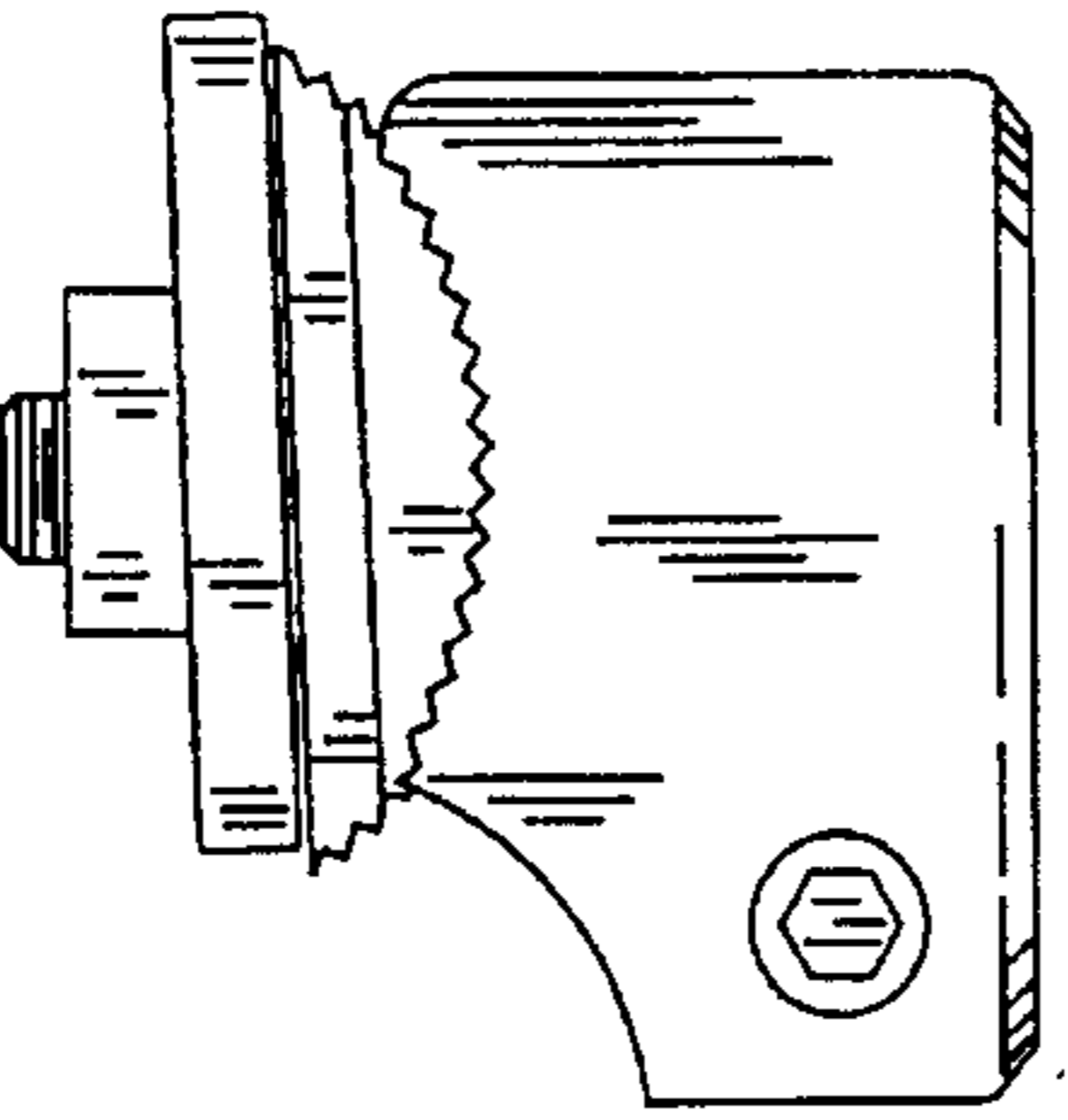


FIG 13

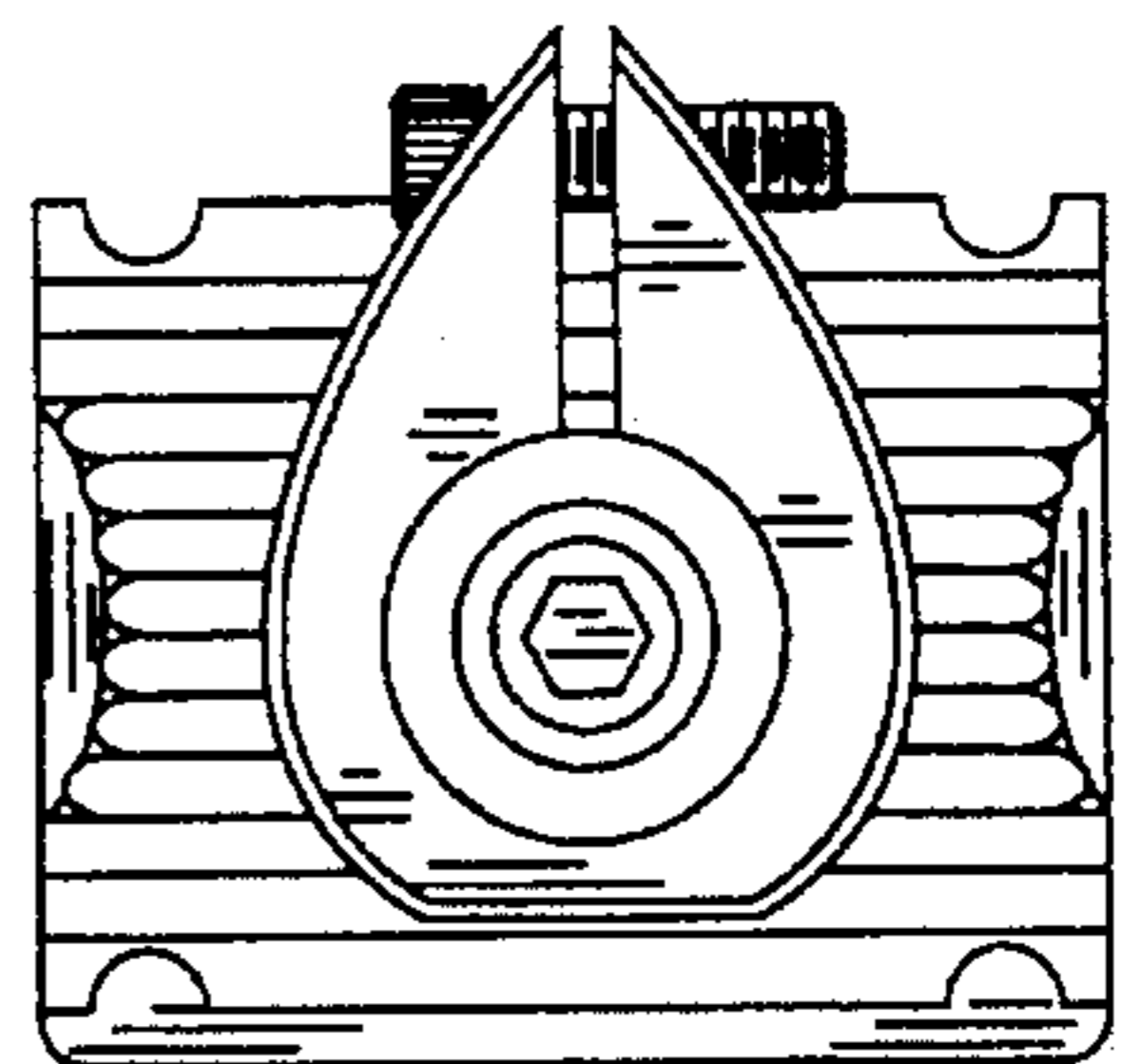


FIG 14