



US00D377919S

United States Patent [19]

[11] Patent Number: **Des. 377,919**

Singer et al.

[45] Date of Patent: ****Feb. 11, 1997**

[54] CUFF LINK

4,874,276 10/1989 Iguchi D8/382
5,010,625 4/1991 Joyer 63/20

[75] Inventors: **Lon Singer**, New York, N.Y.; **Jenni Singer**, 420 E. 55th St., New York, N.Y. 10022; **George Pappas**, Merrick, N.Y.

Primary Examiner—Ralf Seifert
Attorney, Agent, or Firm—Brumbaugh, Graves, Donohue & Raymond

[73] Assignees: **Lou Singer**; **Jenni Singer**, both of New York, N.Y.

[57] **CLAIM**

[**] Term: **14 Years**

The ornamental design for a cuff link, as shown and described.

[21] Appl. No.: **42,707**

DESCRIPTION

[22] Filed: **Jun. 21, 1995**

FIG. 1 is a perspective view of the cuff link of the present invention;

[52] U.S. Cl. **D11/226**; D11/222

FIG. 2 is a top view of the cuff link of the present invention in closed position;

[58] Field of Search D11/200, 222-228,
D11/86, 87; 24/41-47, 95; D8/382, 356,
380; 63/20

FIG. 3 is a bottom view of the cuff link of the present invention in closed position;

[56] **References Cited**

FIG. 4 is a side view of the cuff link of the present invention in closed position;

U.S. PATENT DOCUMENTS

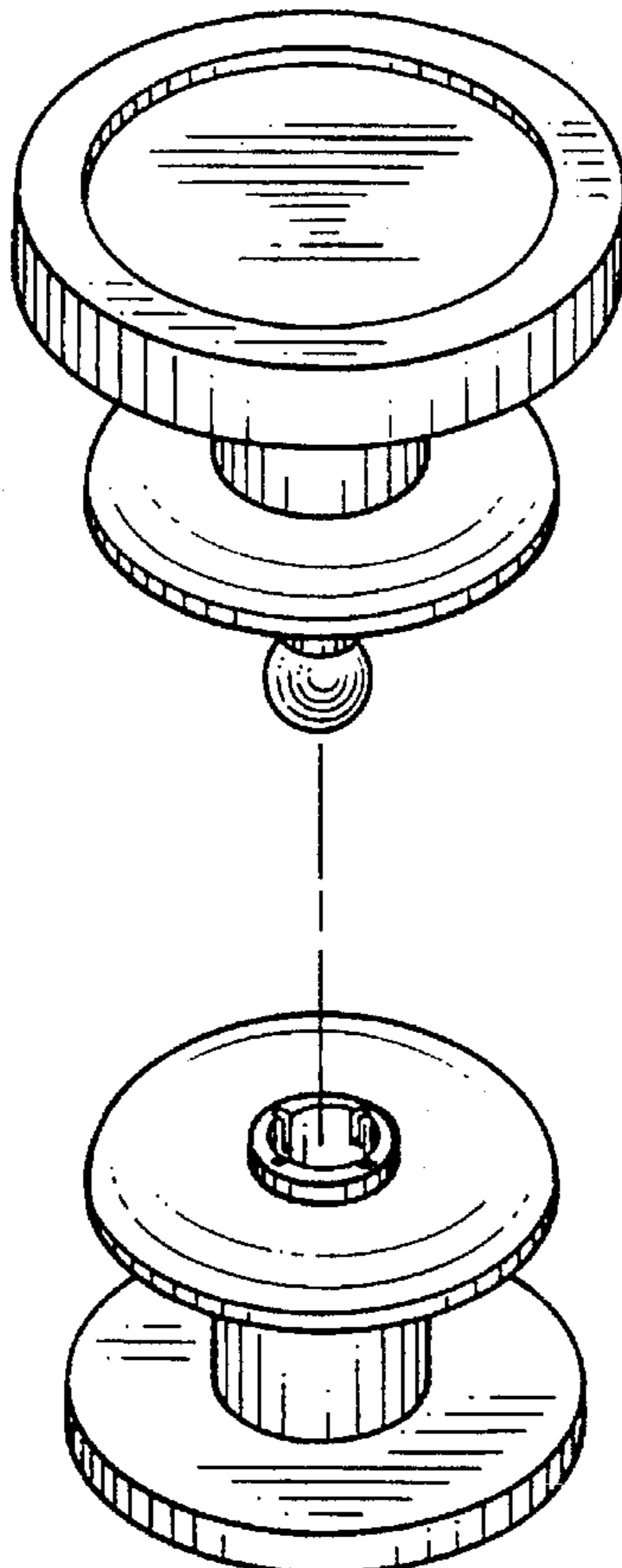
FIG. 5 is a bottom view of the top portion of the cuff link of the present invention;

70,893	8/1926	Ormsbee	D11/226
D. 155,600	10/1949	Gordon	D11/226
D. 303,234	9/1989	Smith	D11/226
D. 337,255	7/1993	Novellig, Sr.	D8/382
D. 354,720	1/1995	Estes	D11/222
4,662,034	5/1987	Cunningham	D11/226
4777,704	10/1988	Acker	63/20

FIG. 6 is a top view of the bottom portion of the cuff link of the present invention; and,

FIG. 7 is a side view of the top portion of the cuff link of the present invention.

1 Claim, 1 Drawing Sheet



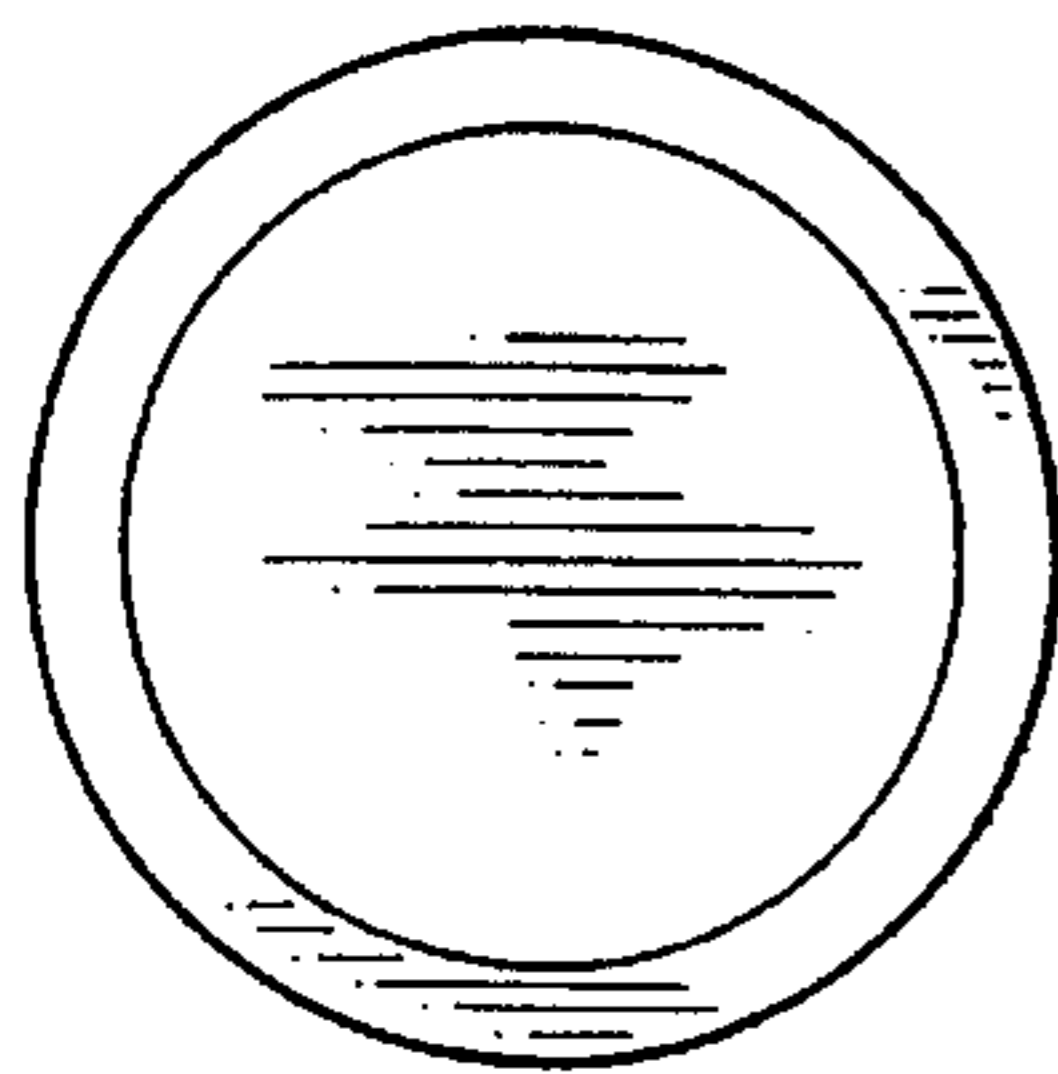
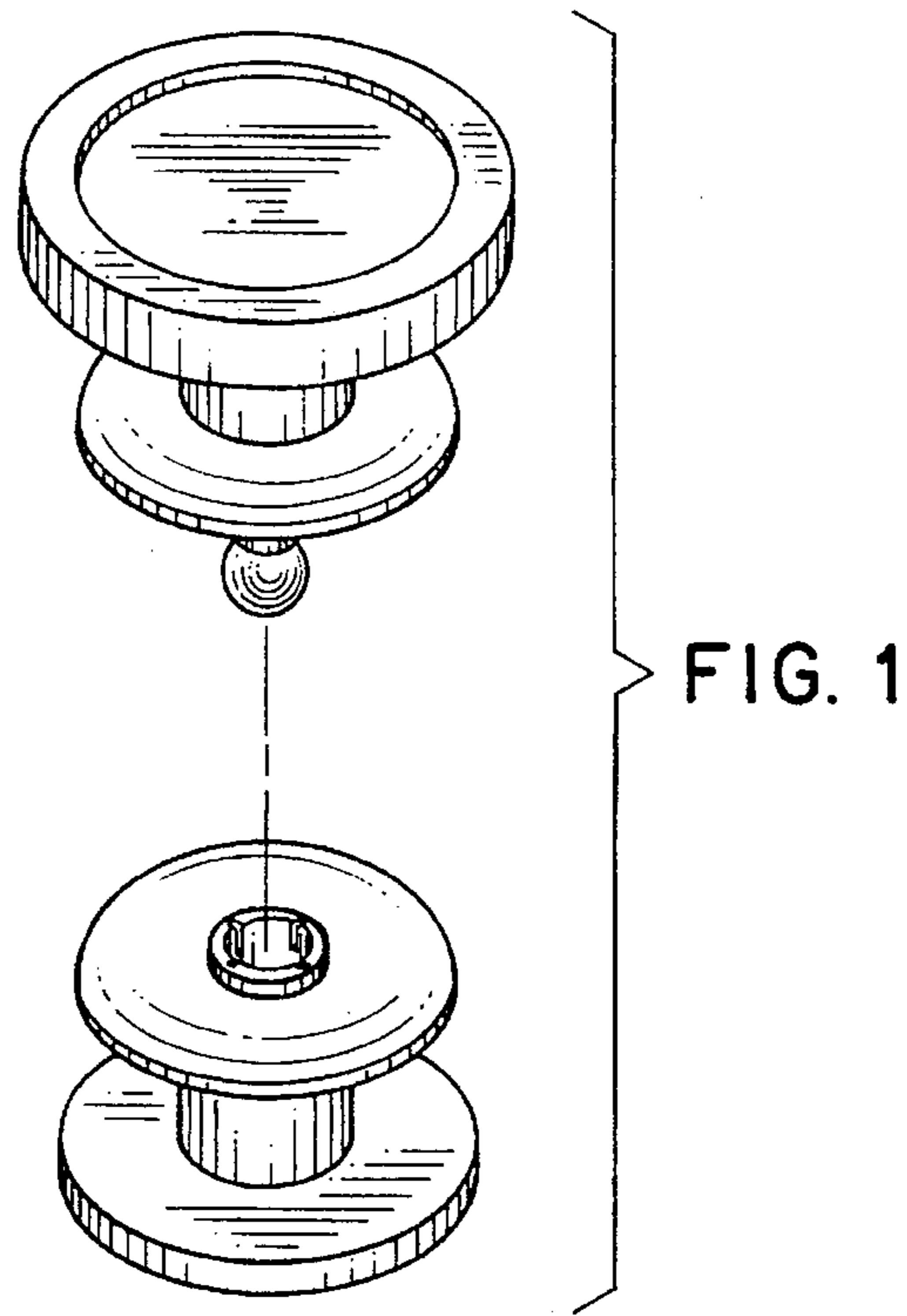


FIG. 2

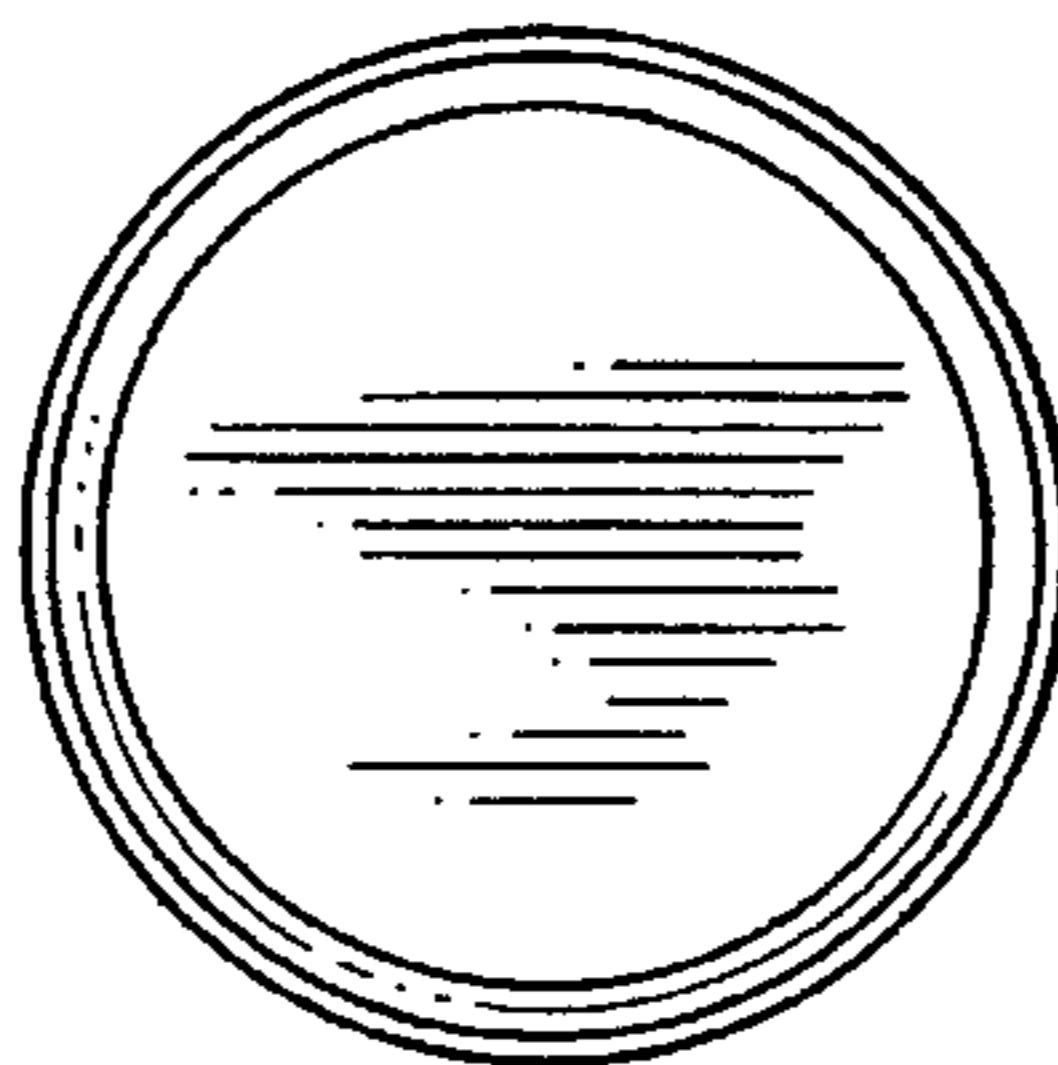


FIG. 3

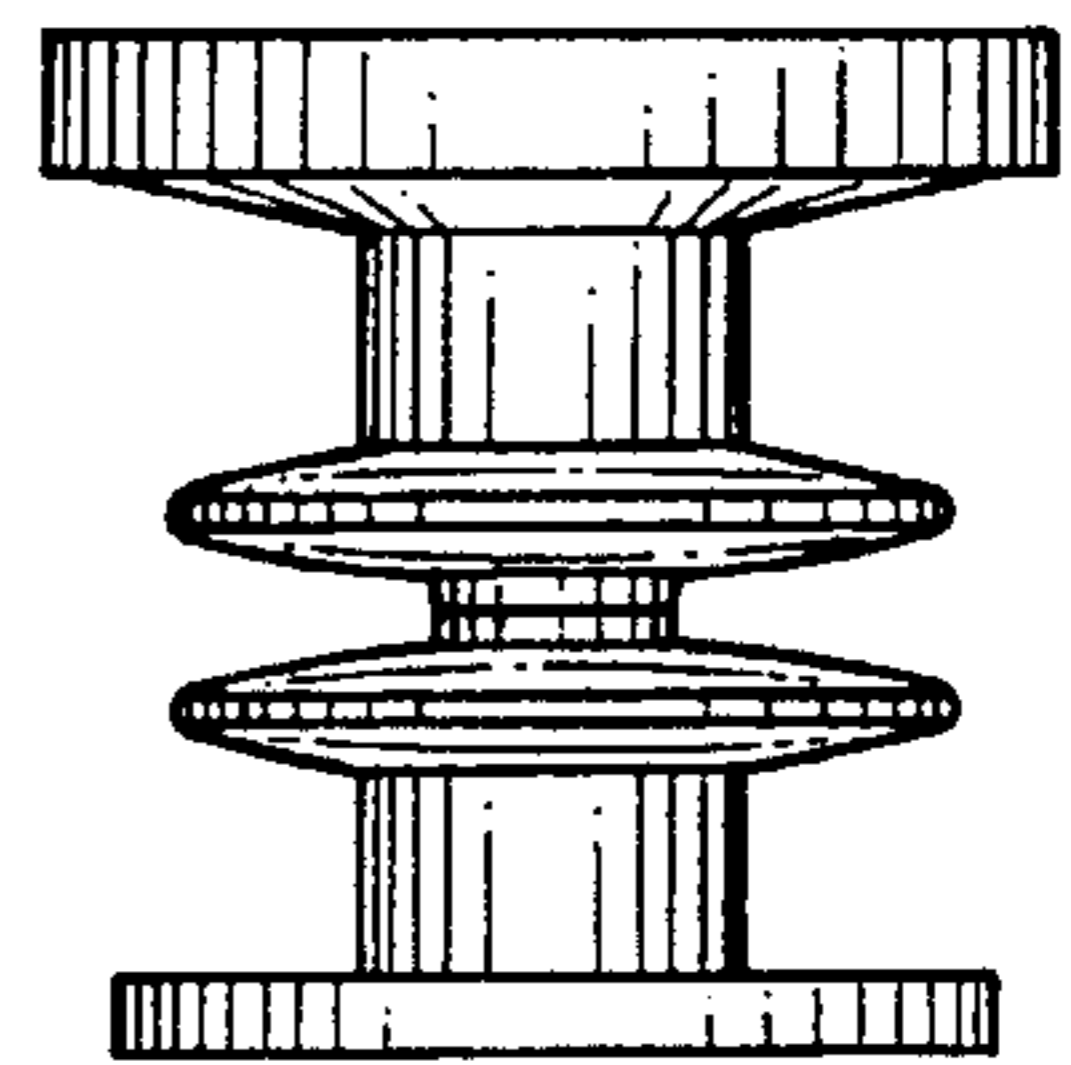


FIG. 4

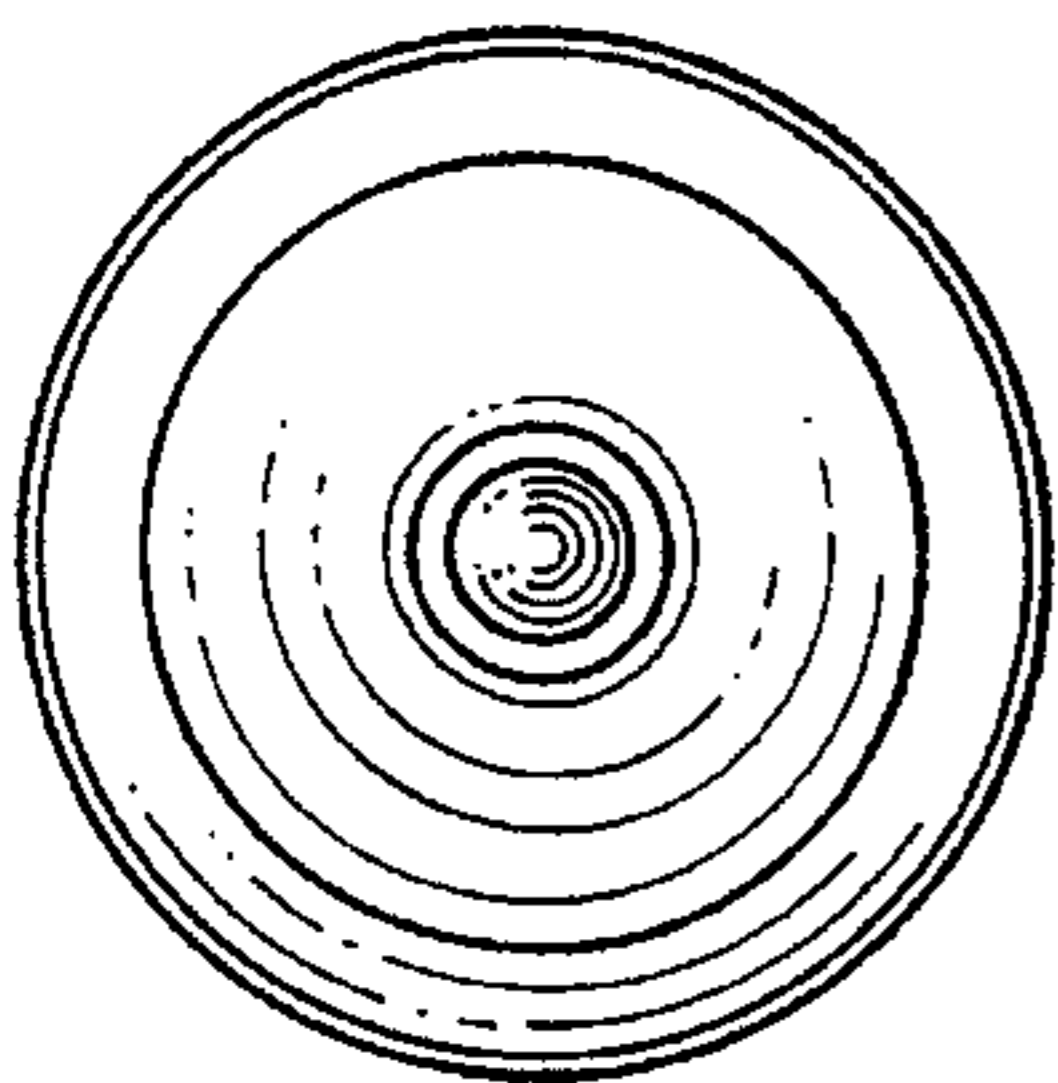


FIG. 5

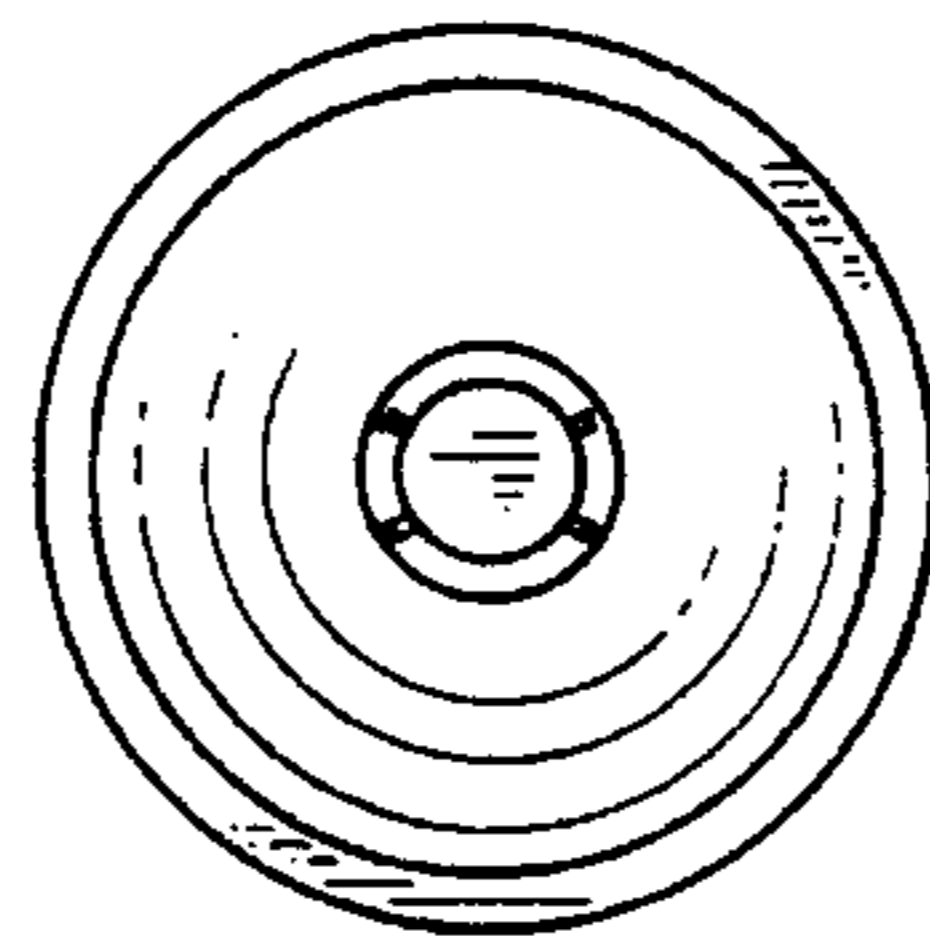


FIG. 6

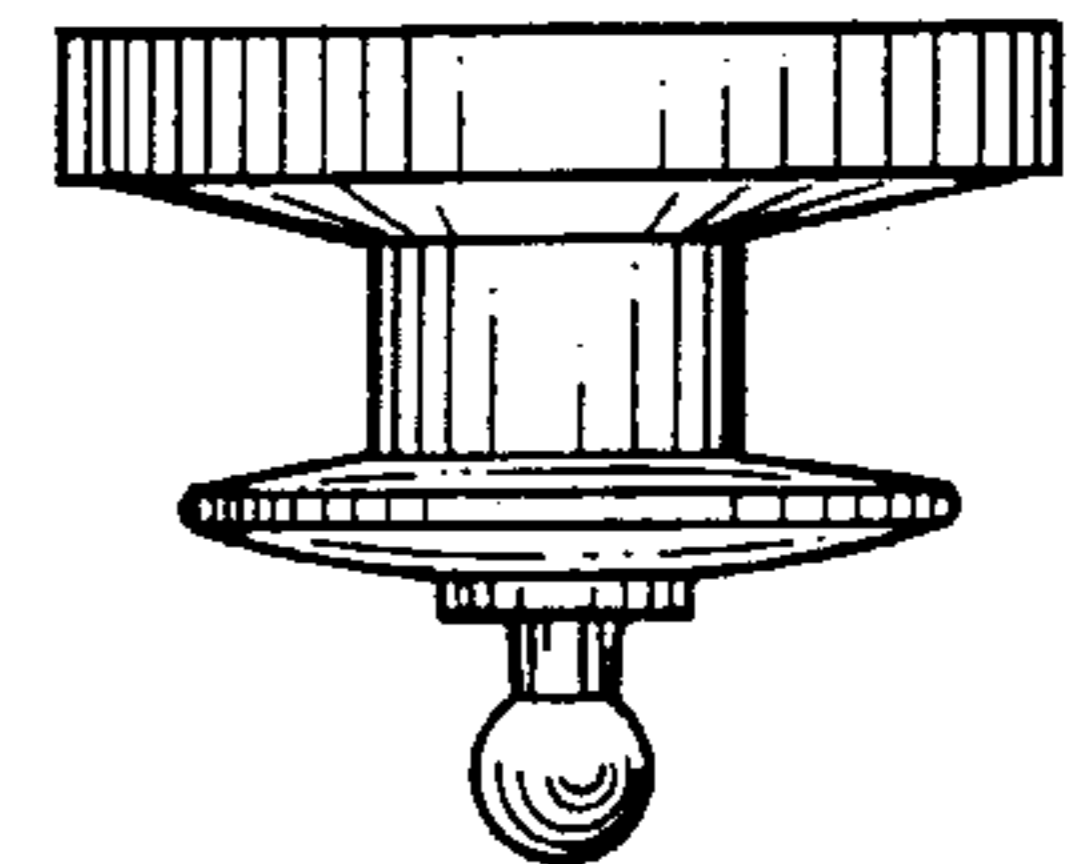


FIG. 7