



US00D377915S

United States Patent [19] Riley

[11] Patent Number: **Des. 377,915**

[45] Date of Patent: ****Feb. 11, 1997**

[54] **WRISTWATCH STRAP**

[75] Inventor: **Judith R. Riley**, Goshen, Conn.

[73] Assignee: **Timex Corporation**, Middlebury, Conn.

[**] Term: **14 Years**

[21] Appl. No.: **44,445**

[22] Filed: **Sep. 25, 1995**

[52] U.S. Cl. **D11/3**

[58] Field of Search D11/1-18, 20-25,
D11/93, 94; D10/30-39; 63/1.1, 2-5

[56] **References Cited**

U.S. PATENT DOCUMENTS

D. 140,473	2/1945	Coogan	D11/3
D. 255,019	5/1980	Hofman	D11/3
D. 362,946	10/1995	Polenberg	D11/3
D. 365,532	12/1995	Crow et al.	D11/3

Primary Examiner—Ralf Seifert
Attorney, Agent, or Firm—William C. Crutcher

[57] **CLAIM**

The ornamental design for a "wristwatch strap", as shown and described.

DESCRIPTION

FIG. 1 is a top plan view in extended form of my improved wristwatch strap;

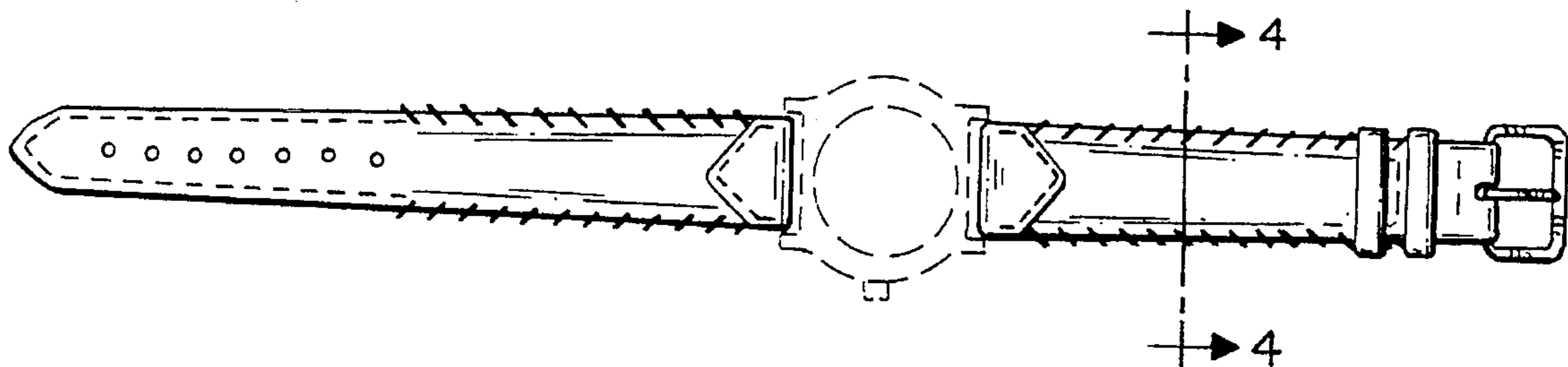
FIG. 2 is a right side elevational view thereof, the opposite side being a mirror image;

FIG. 3 is a bottom plan view thereof; and,

FIG. 4 is a cross sectional view thereof, taken along lines 4-4.

The watchcase, which is shown in dashed lines in FIGS. 1-3, is not part of the design.

1 Claim, 1 Drawing Sheet



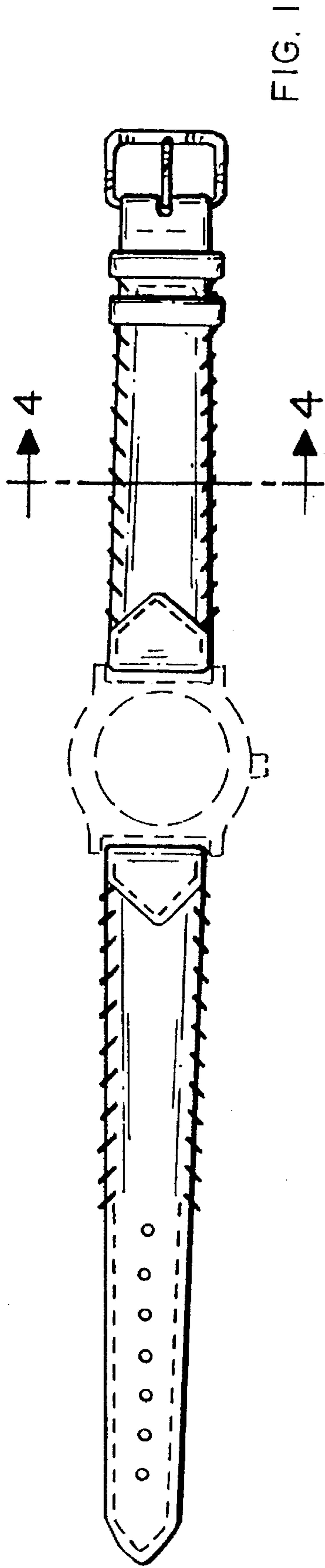


FIG. 1



FIG. 2

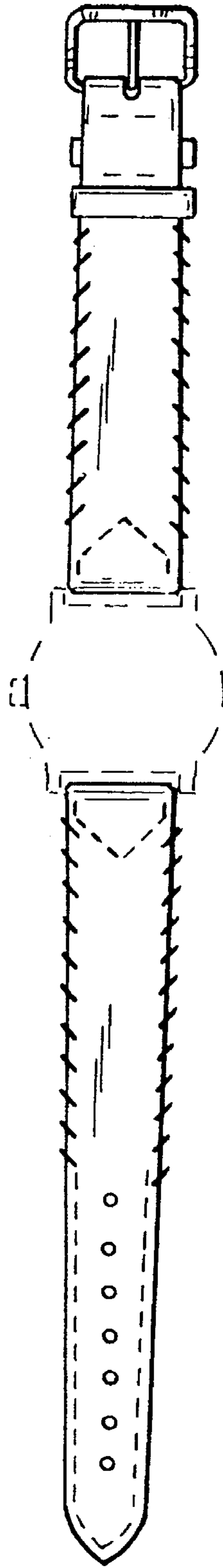


FIG. 3



FIG. 4