



US00D377913S

United States Patent [19]

[11] Patent Number: **Des. 377,913**

Cross

[45] Date of Patent: ****Feb. 11, 1997**

[54] **SLIP-ON WRIST CASE FOR CAPSULE COMPONENTS SUCH AS COMPASSES OR THERMOMETERS**

D. 333,626 3/1993 Chang D10/68 X
D. 349,054 7/1994 Cross et al. D9/455
D. 356,965 4/1995 Chang D10/68

[75] Inventor: **Gregory L. Cross**, Arvada, Colo.

Primary Examiner—Doris V. Coles

Assistant Examiner—Catherine R. Oliver

[73] Assignee: **Sun Company, Inc.**, Arvada, Colo.

Attorney, Agent, or Firm—Klaas, Law, O'Meara & Malkin, P.C.; William P. O'Meara

[**] Term: **14 Years**

[57] CLAIM

[21] Appl. No.: **49,895**

The ornamental design for slip-on wrist case for capsule components such as compasses or thermometers, as shown and described.

[22] Filed: **Feb. 2, 1996**

[52] U.S. Cl. **D10/74**

[58] Field of Search D3/215; D10/33, D10/74, 39, 68, 57, 58, 60; 224/219, 222, 267

DESCRIPTION

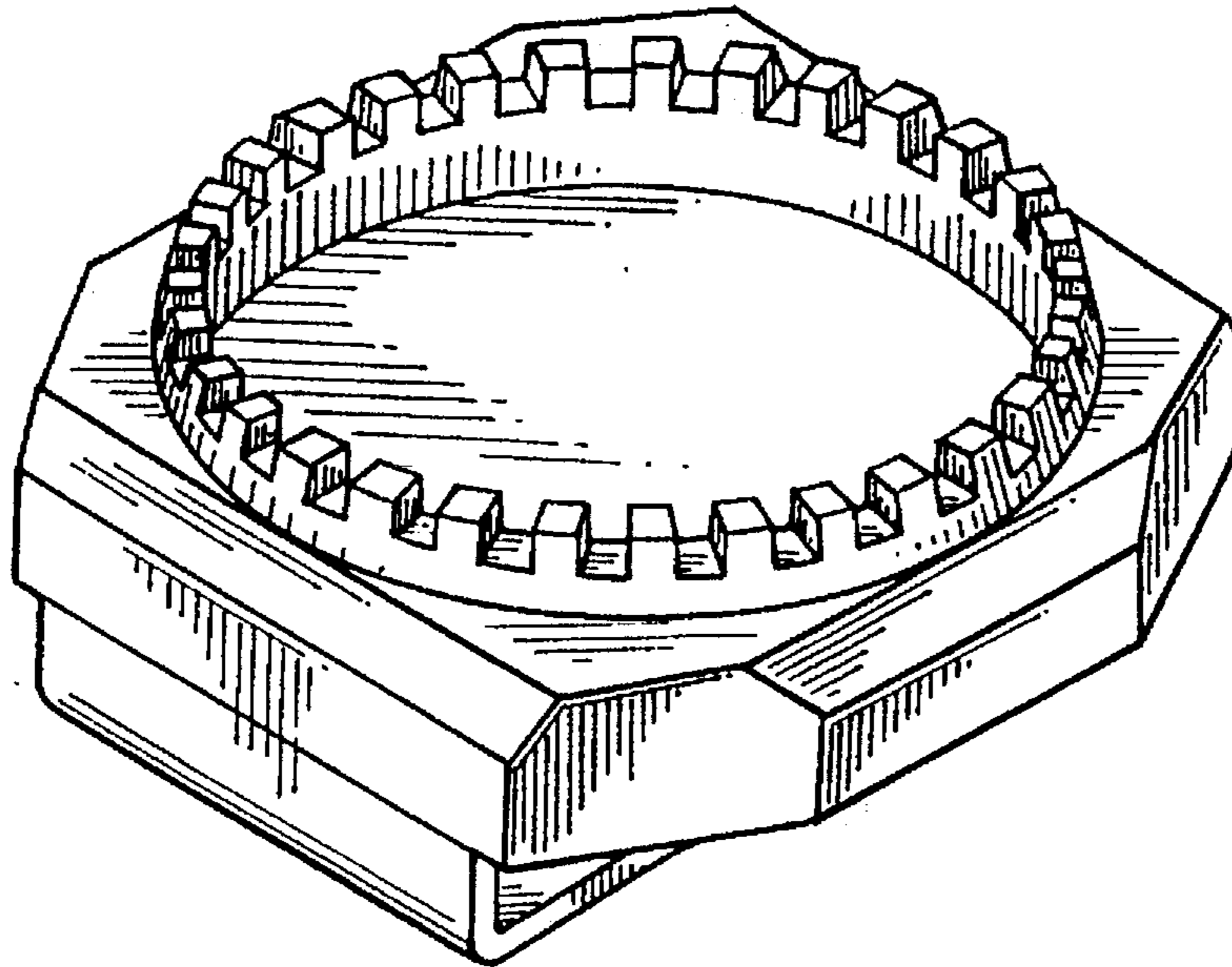
FIG. 1 is a top perspective view of a slip-on wrist case for capsule components such as compasses or thermometers showing my new design;
FIG. 2 is a bottom perspective view thereof;
FIG. 3 is a top plan view thereof;
FIG. 4 is a bottom plan view thereof;
FIG. 5 is a left side elevation view thereof of which the right side elevation view is a mirror image; and,
FIG. 6 is a front elevation view thereof of which the rear elevation view is a mirror image.

[56] References Cited

U.S. PATENT DOCUMENTS

- D. 159,416 7/1950 Kahn D10/68 X
- D. 220,209 3/1971 Brigham D10/68
- D. 297,515 9/1988 Yusa D10/68
- D. 299,216 1/1989 Toshikazu D10/68
- D. 318,436 7/1991 Cross D10/103
- D. 322,370 12/1991 Cross et al. D6/466
- D. 322,412 12/1991 Cross et al. D10/68

1 Claim, 1 Drawing Sheet



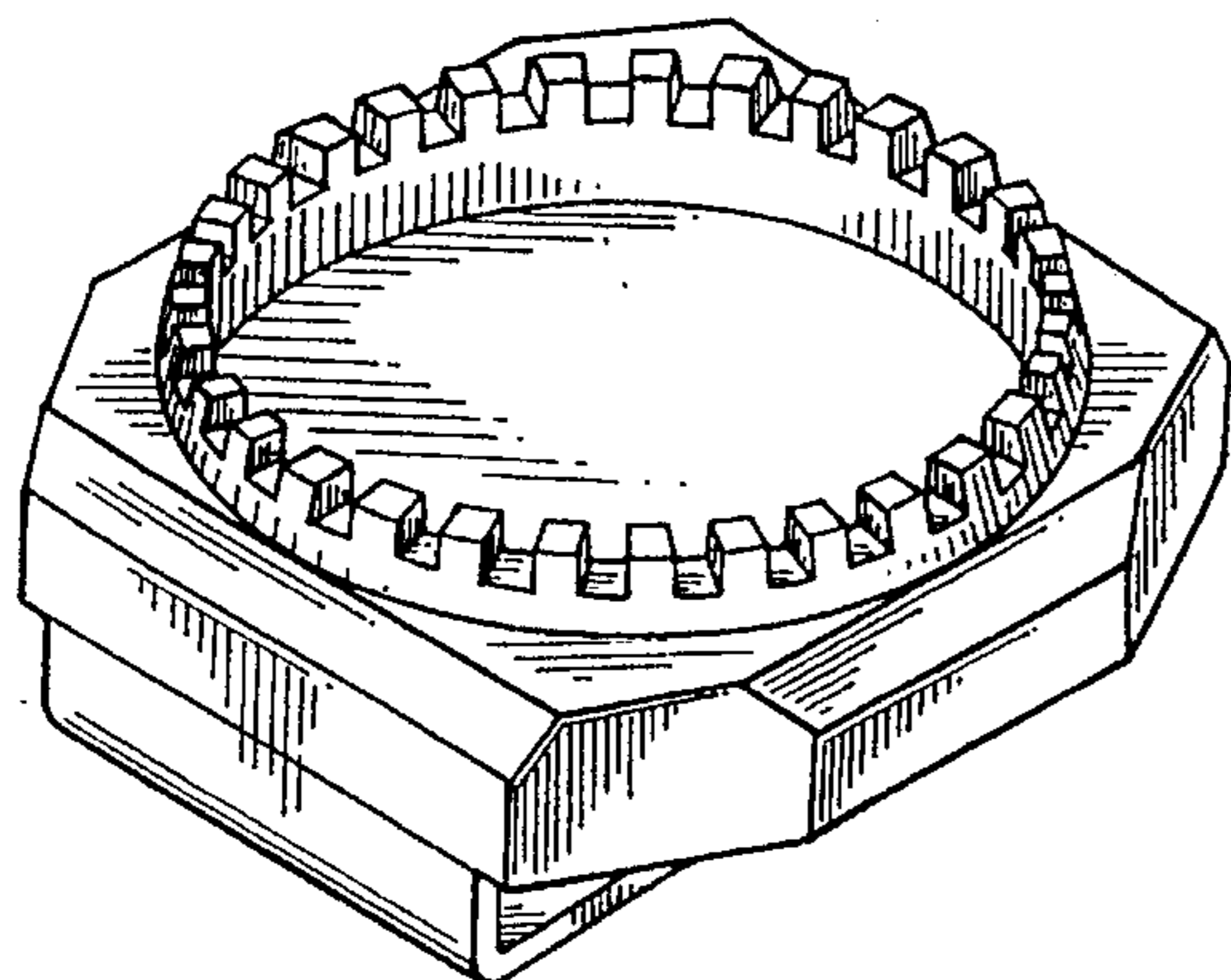


FIG. 1

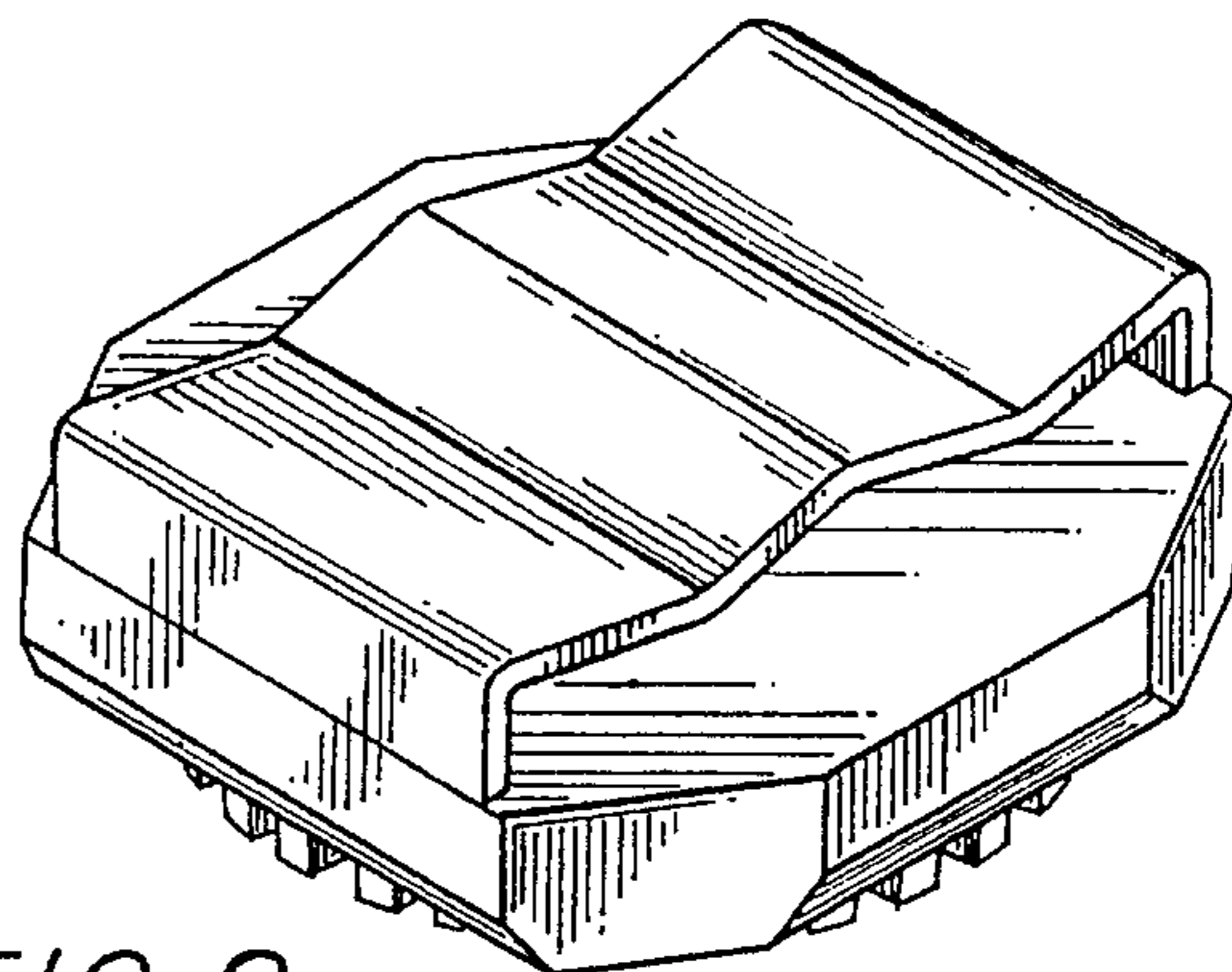


FIG. 2

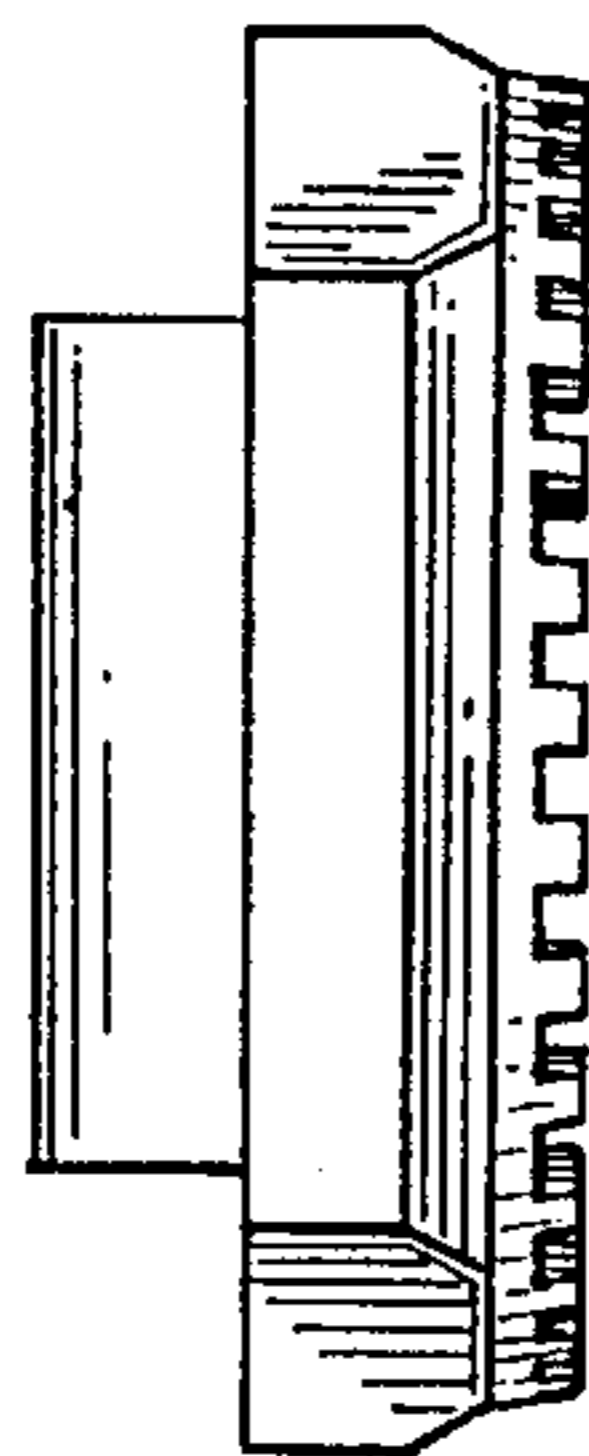


FIG. 5

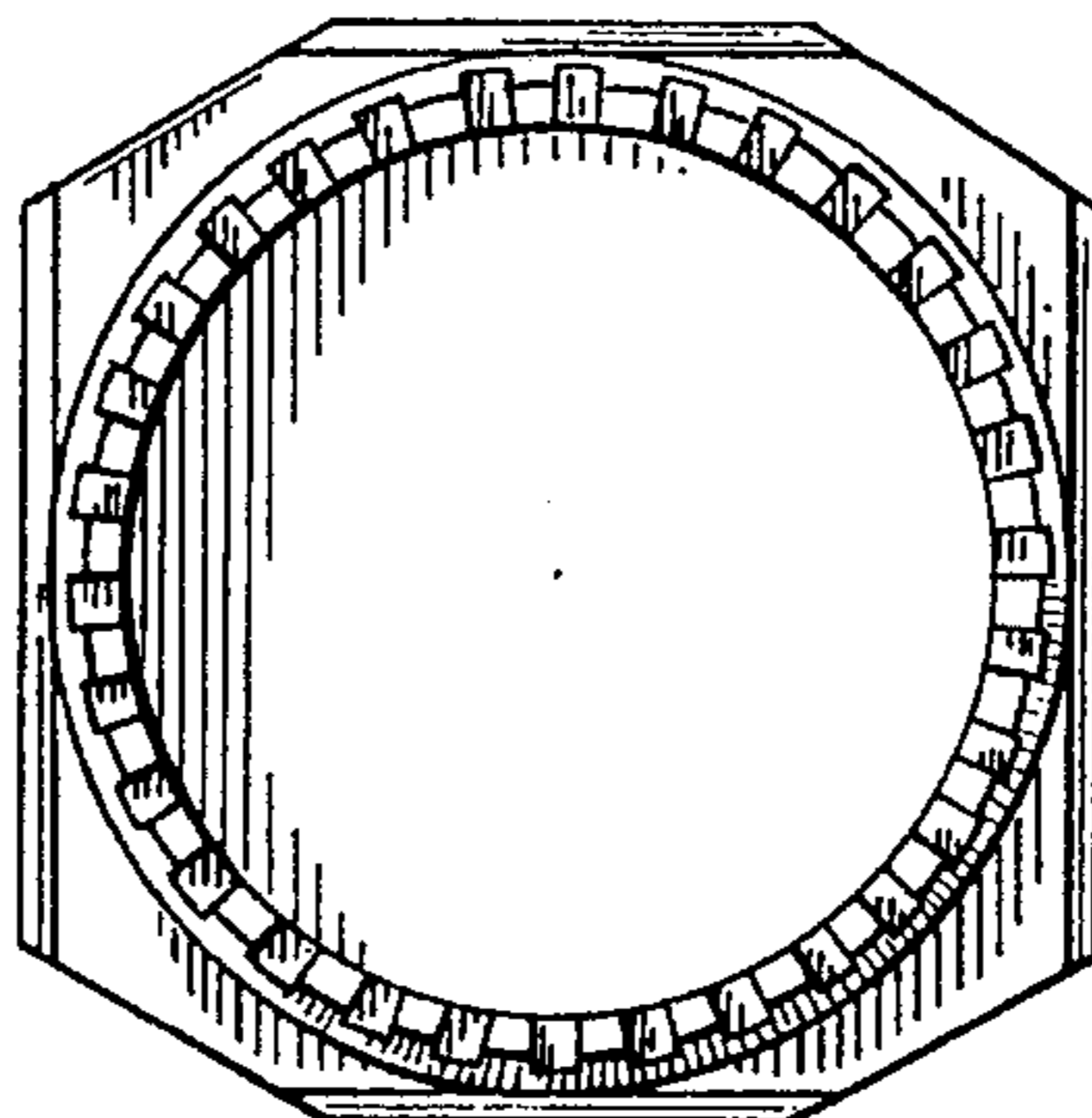


FIG. 3

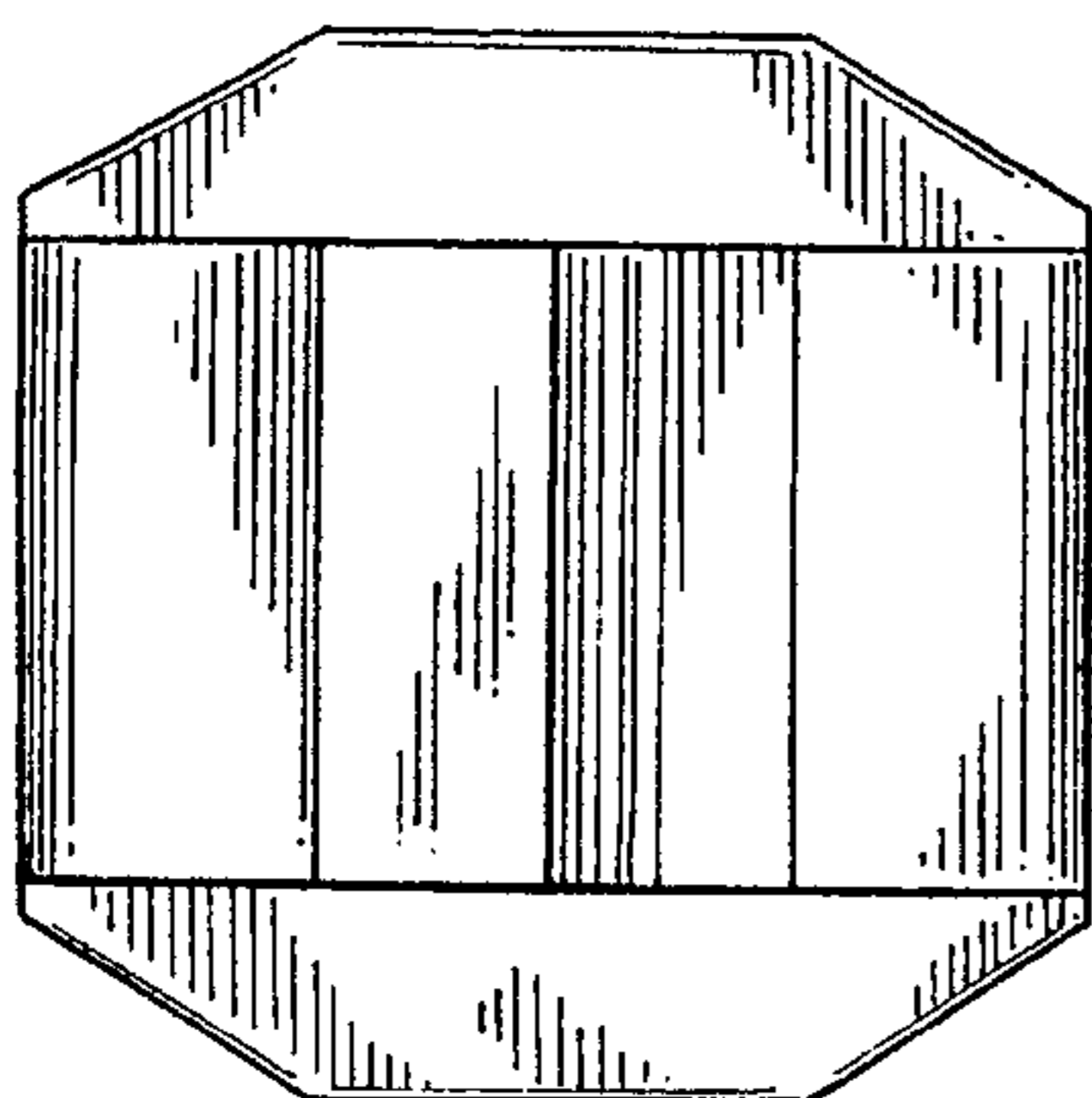


FIG. 4

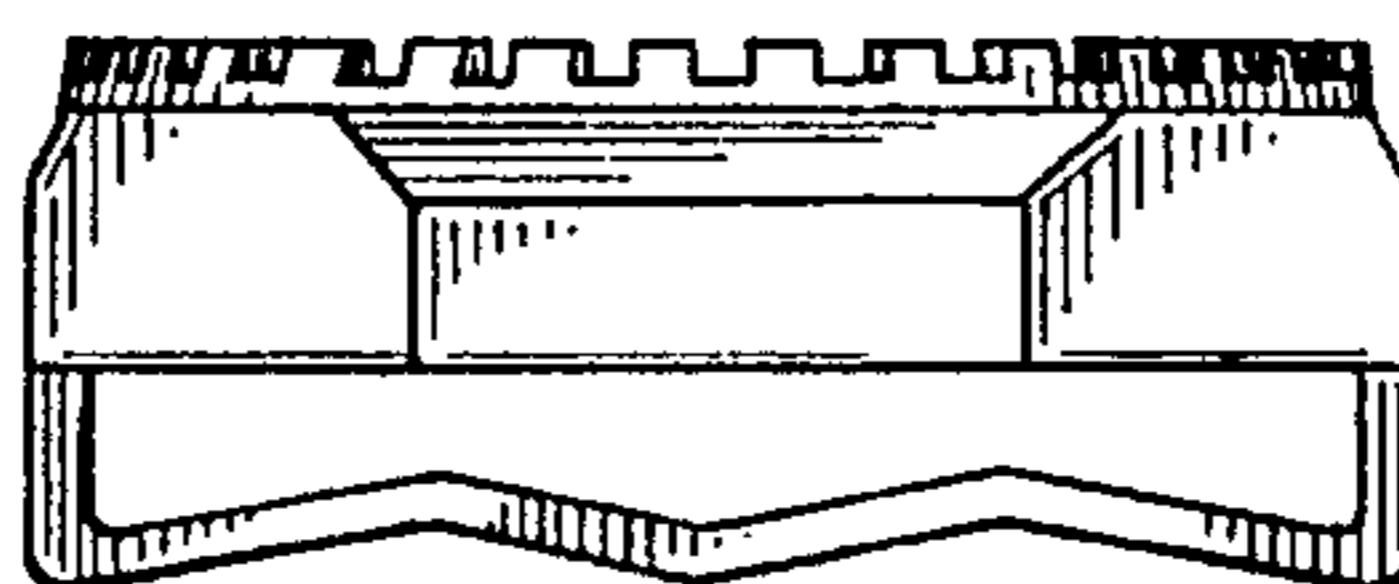


FIG. 6