



US00D377911S

United States Patent [19]
Ogasawara

[11] **Patent Number: Des. 377,911**

[45] **Date of Patent: **Feb. 11, 1997**

[54] **TAPE MEASURE FRAME**

[75] Inventor: **Takeo Ogasawara**, Tokyo, Japan

[73] Assignee: **Yamayo Measuring Tools Co., Ltd.**

[**] Term: **14 Years**

[21] Appl. No.: **49,004**

[22] Filed: **Jan. 17, 1996**

[52] U.S. Cl. **D10/72**

[58] Field of Search D10/72; 33/755-770;
242/390.1, 396.2, 396.7, 397.2

[56] **References Cited**

U.S. PATENT DOCUMENTS

D. 365,769 1/1996 Kang D10/72
4,189,107 2/1980 Quenot et al. 242/390.1

Primary Examiner—Antoine Duval Davis

Attorney, Agent, or Firm—Armstrong, Westerman, Hattori, McLeland, & Naughton

[57] **CLAIM**

The ornamental design for tape measure frame, as shown and described.

DESCRIPTION

FIG. 1 is a top plan, elevational, right hand quartering perspective view of tape measure frame embodying the present design;

FIG. 2 is a front elevational view thereof;

FIG. 3 is a rear elevational view thereof;

FIG. 4 is a top plan view thereof;

FIG. 5 is a bottom plan view thereof;

FIG. 6 is a left hand end view thereof; and,

FIG. 7 is a right hand end view thereof.

1 Claim, 2 Drawing Sheets

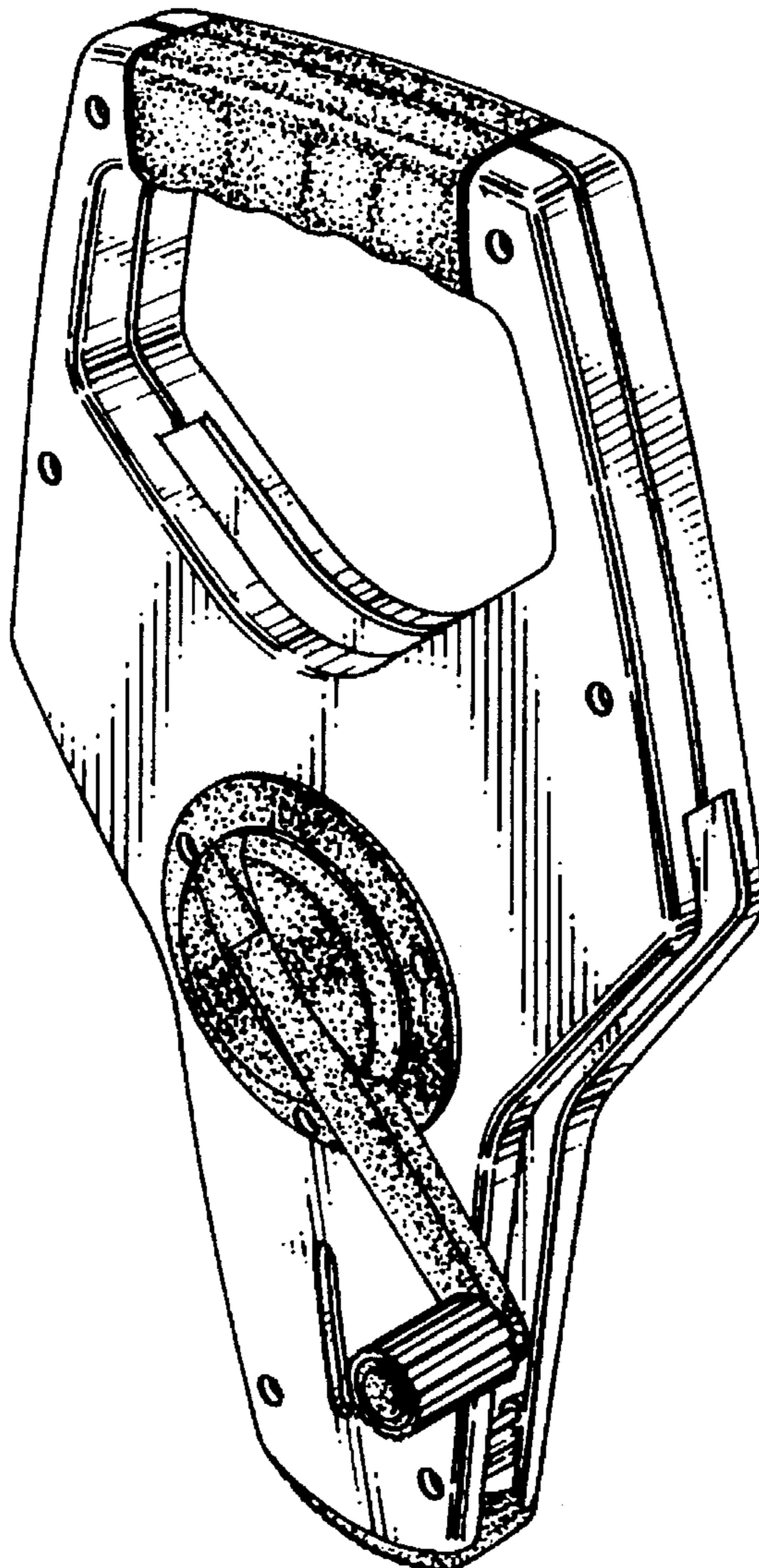


FIG. 1

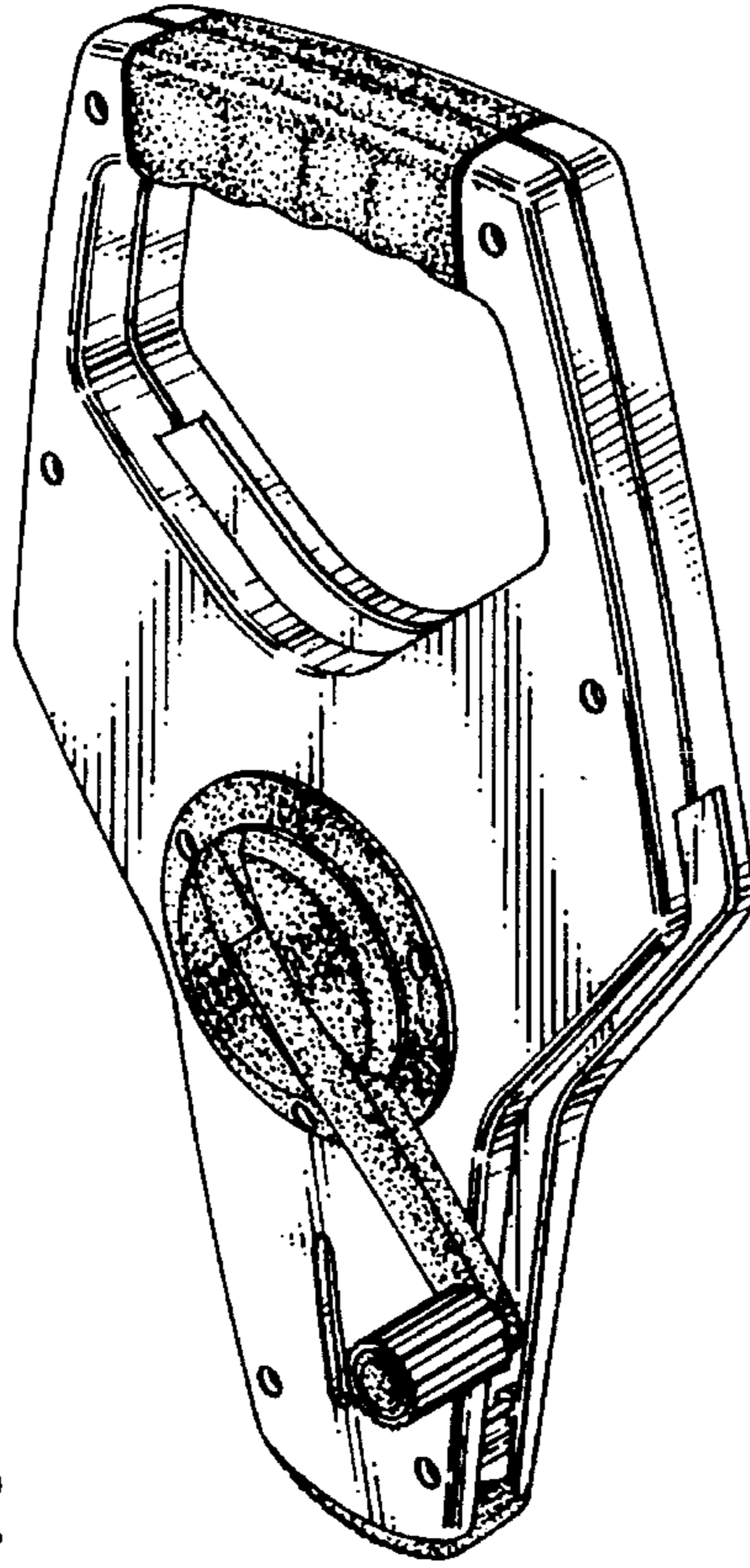


FIG. 2

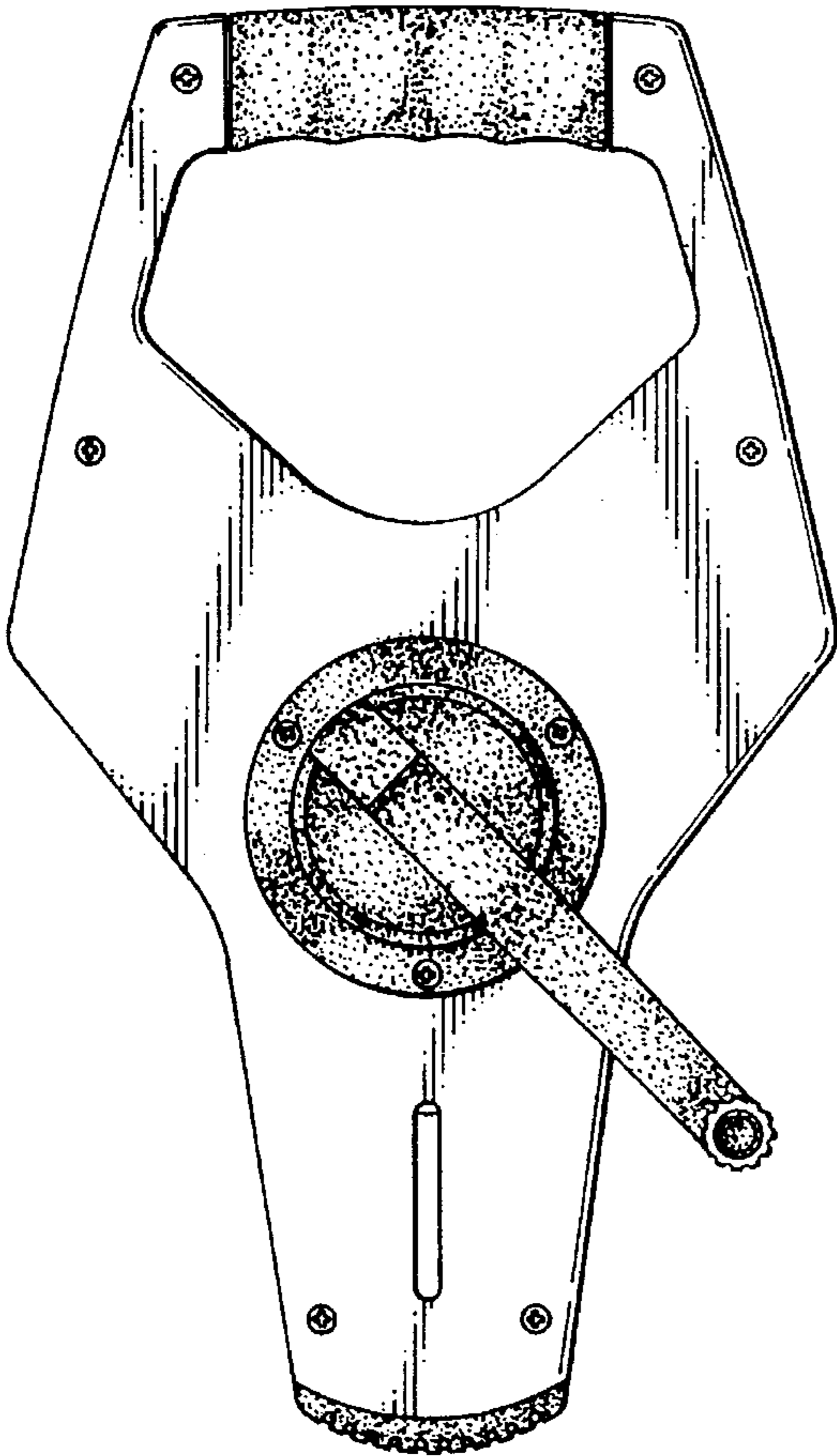


FIG. 3

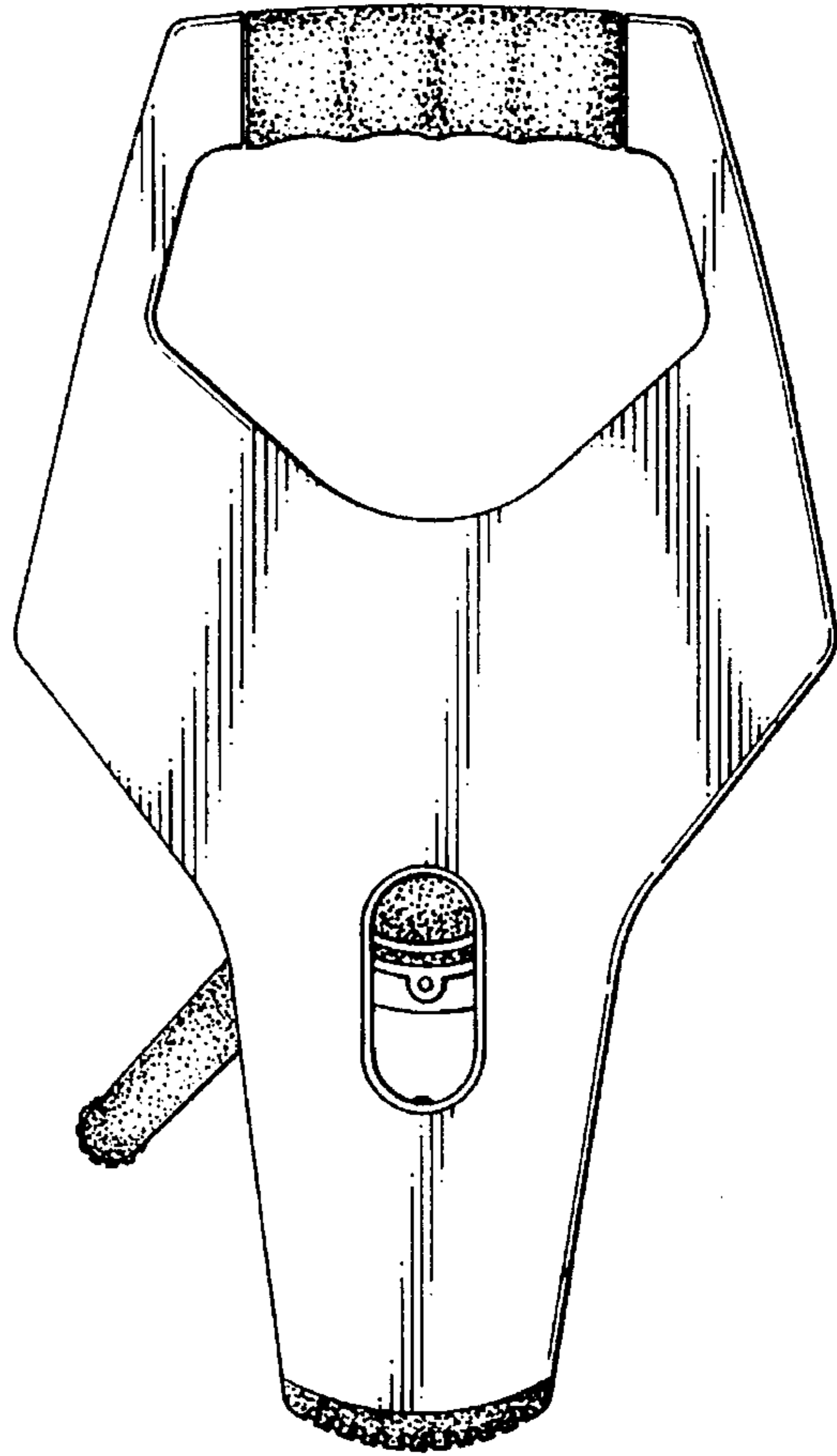


FIG. 4

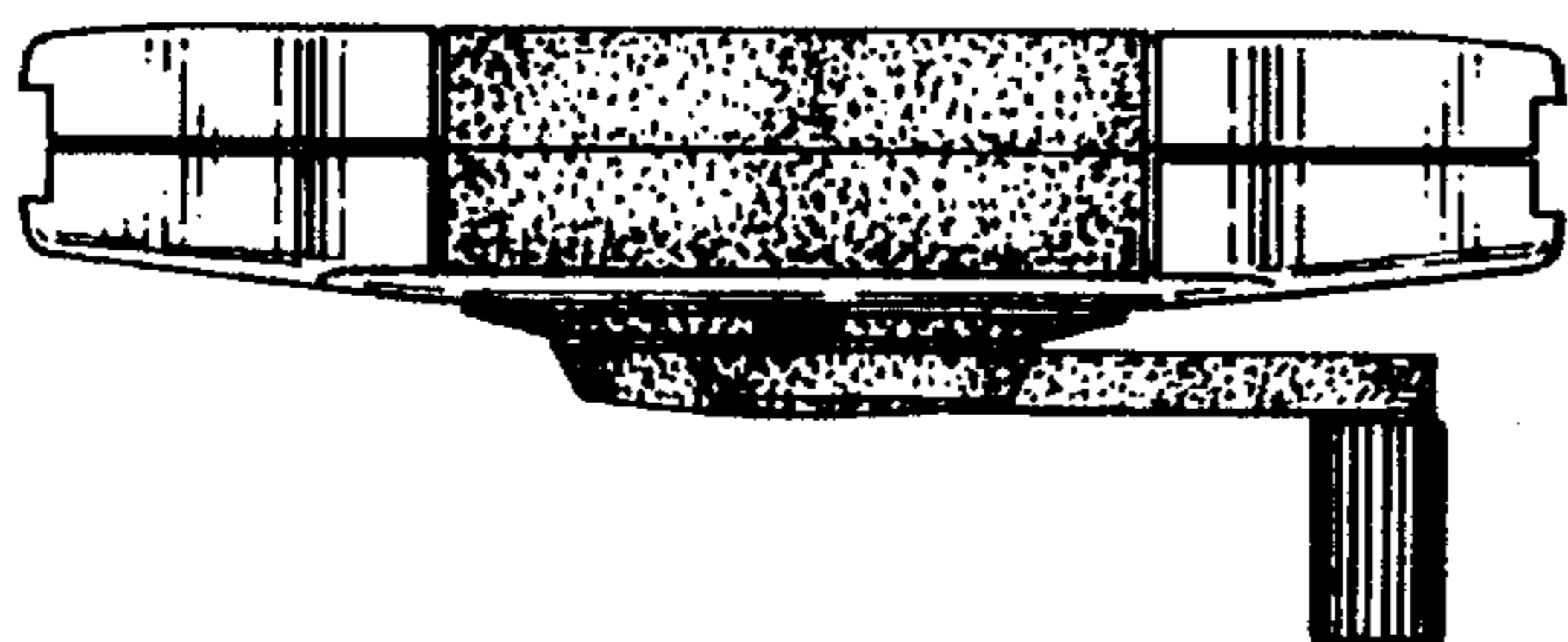


FIG. 5

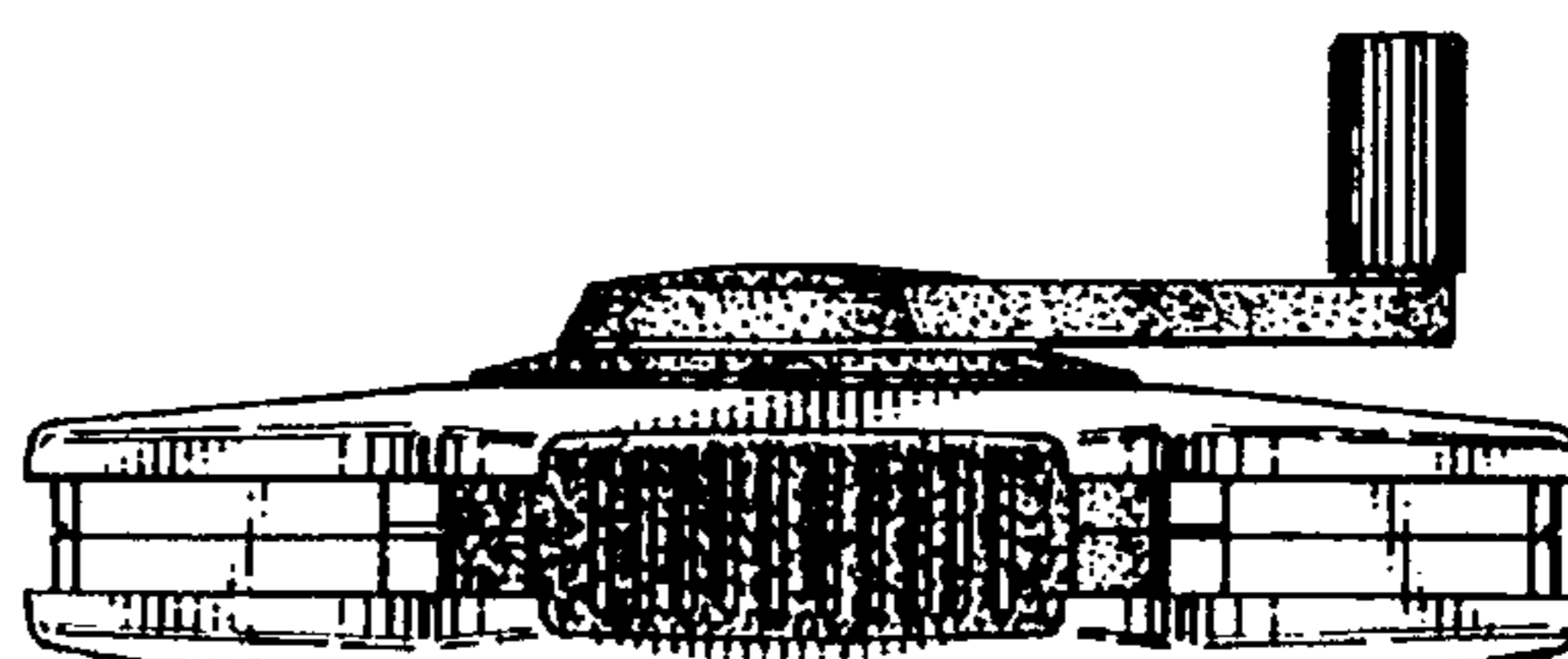


FIG. 6

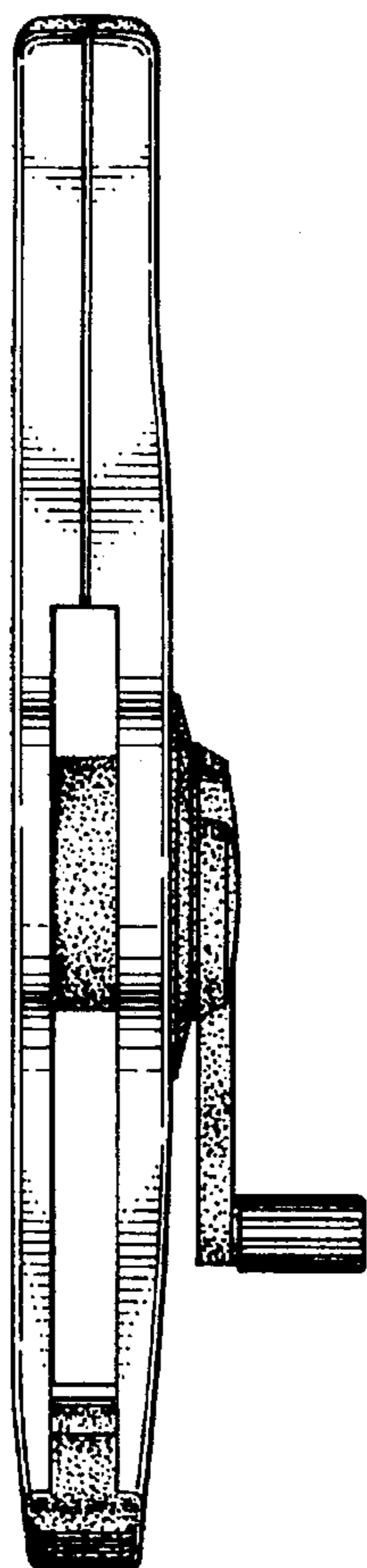


FIG. 7

