



US00D377910S

United States Patent [19]

[11] Patent Number: **Des. 377,910**

Hartwein

[45] Date of Patent: ****Feb. 11, 1997**

[54] **THERMOMETER**

[75] Inventor: **Peter Hartwein**, Kronberg, Germany

[73] Assignee: **Braun Aktiengesellschaft**, Kronberg, Germany

[**] Term: **14 Years**

[21] Appl. No.: **49,730**

[22] Filed: **Jan. 30, 1996**

[30] **Foreign Application Priority Data**

Jul. 31, 1995 [DE] Germany M 95 06 024.3

[52] **U.S. Cl.** **D10/57**

[58] **Field of Search** D10/57; 128/664, 128/736; 374/130-132, 158, 170, 208

[56] **References Cited**

U.S. PATENT DOCUMENTS

- D. 236,254 8/1975 Ray D10/57
- D. 330,681 11/1992 Yamada et al. D10/57
- D. 337,954 8/1993 Makita et al. D10/57

- D. 338,163 8/1993 Atsumi et al. D10/57
- 5,159,936 11/1992 Yelderman et al. 128/736
- 5,167,235 12/1992 Seacord et al. 128/664
- 5,445,158 8/1995 Pompei 128/664
- 5,487,607 1/1996 Makita et al. 374/158

Primary Examiner—Antoine Duval Davis
Attorney, Agent, or Firm—Fish & Richardson, P.C.

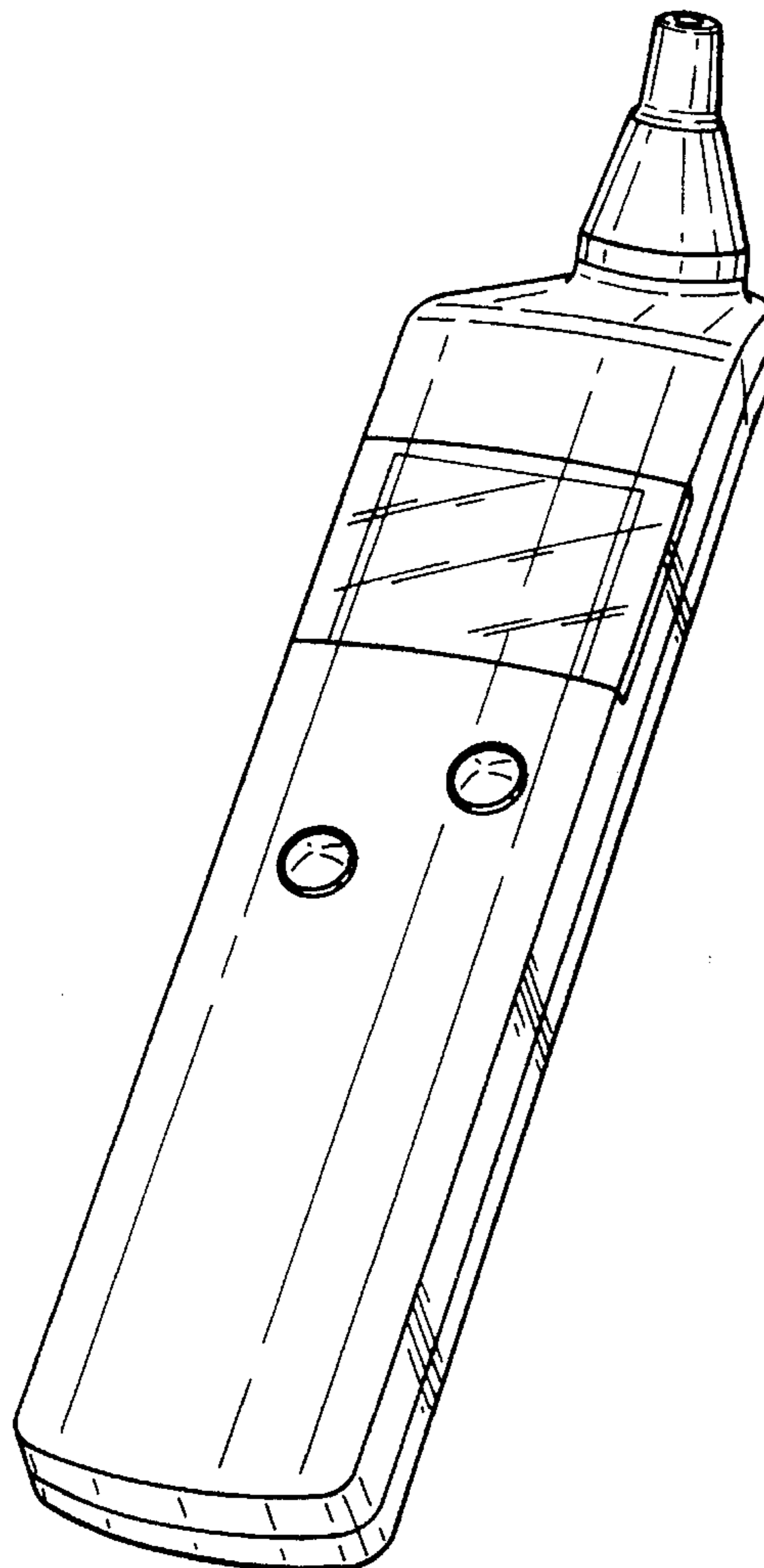
[57] **CLAIM**

The ornamental design for a thermometer, as shown and described.

DESCRIPTION

FIG. 1 is a perspective right-side front elevational view of a thermometer, showing my design;
FIG. 2 is a front view of the appliance of FIG. 1;
FIG. 3 is a right-side view of the appliance of FIG. 2;
FIG. 4 is a left-side view of the appliance of FIG. 2;
FIG. 5 is a rear view of the appliance of FIG. 2;
FIG. 6 is a top plan view of the appliance of FIG. 2; and,
FIG. 7 is a bottom plan view of the appliance of FIG. 2.

1 Claim, 3 Drawing Sheets



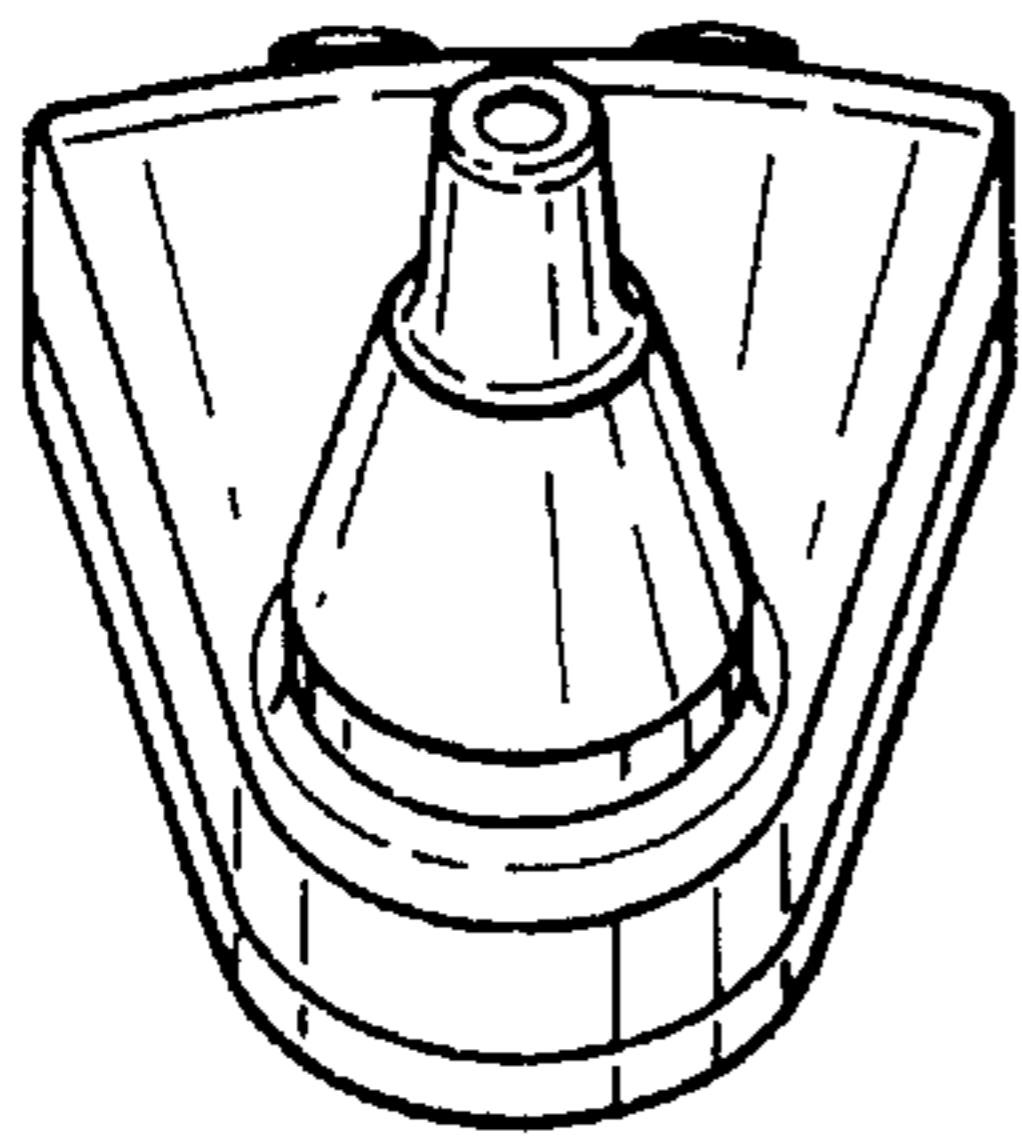


Fig. 6

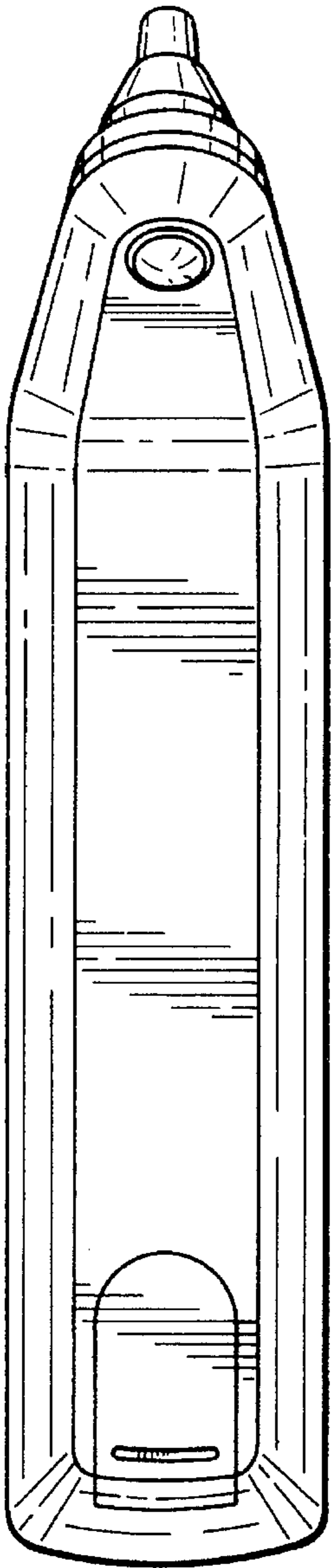


Fig. 5

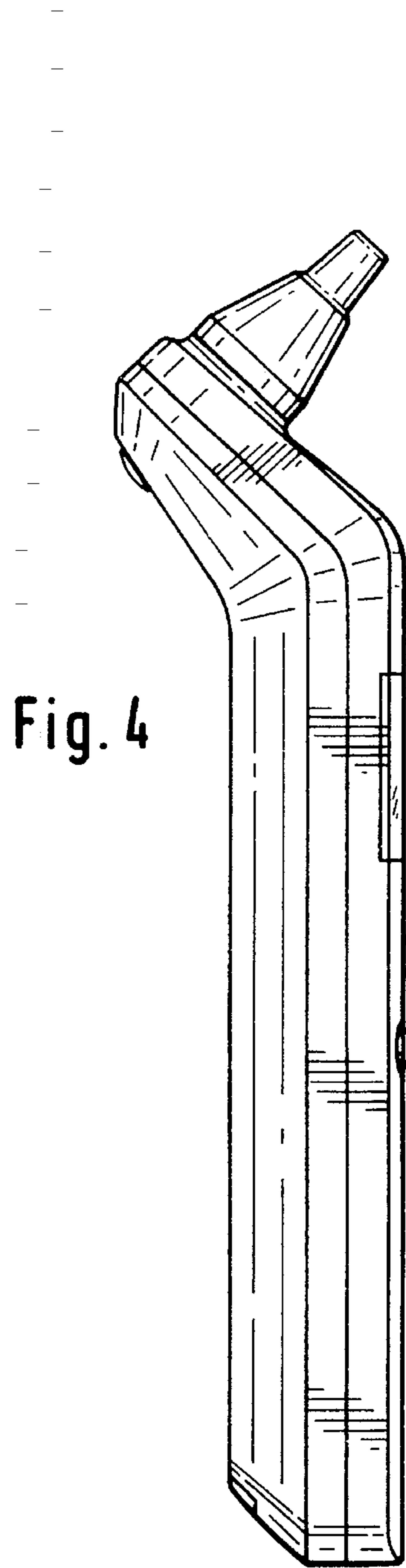


Fig. 4

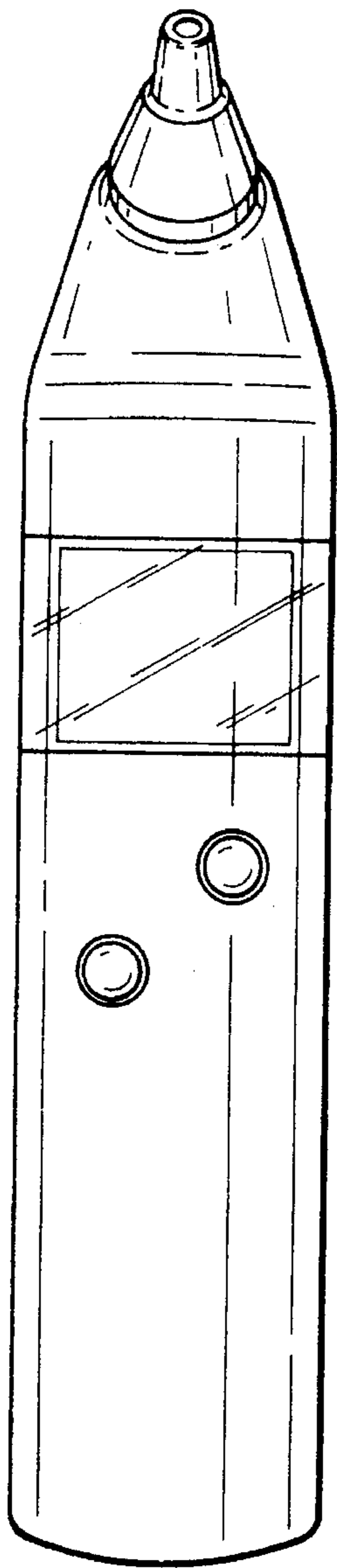


Fig. 2

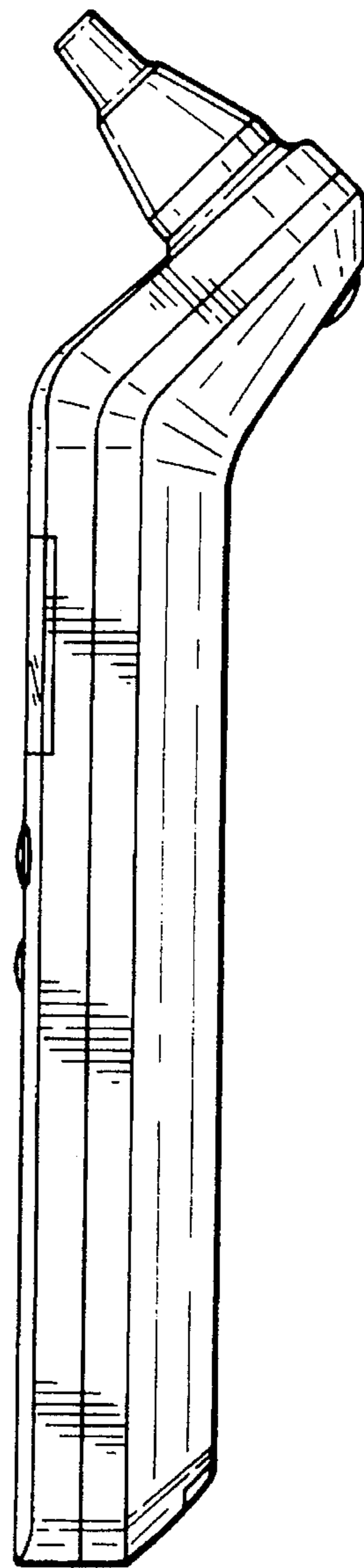


Fig. 3

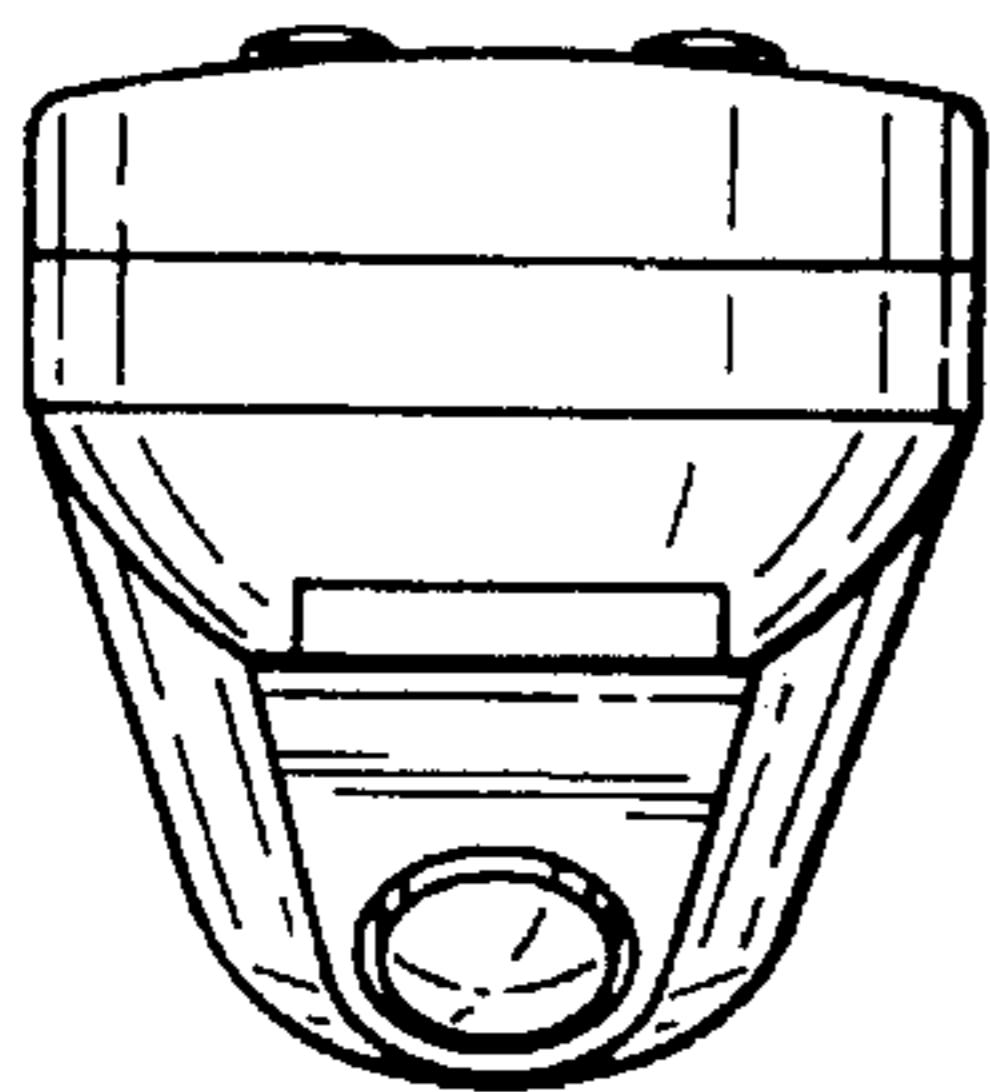


Fig. 7

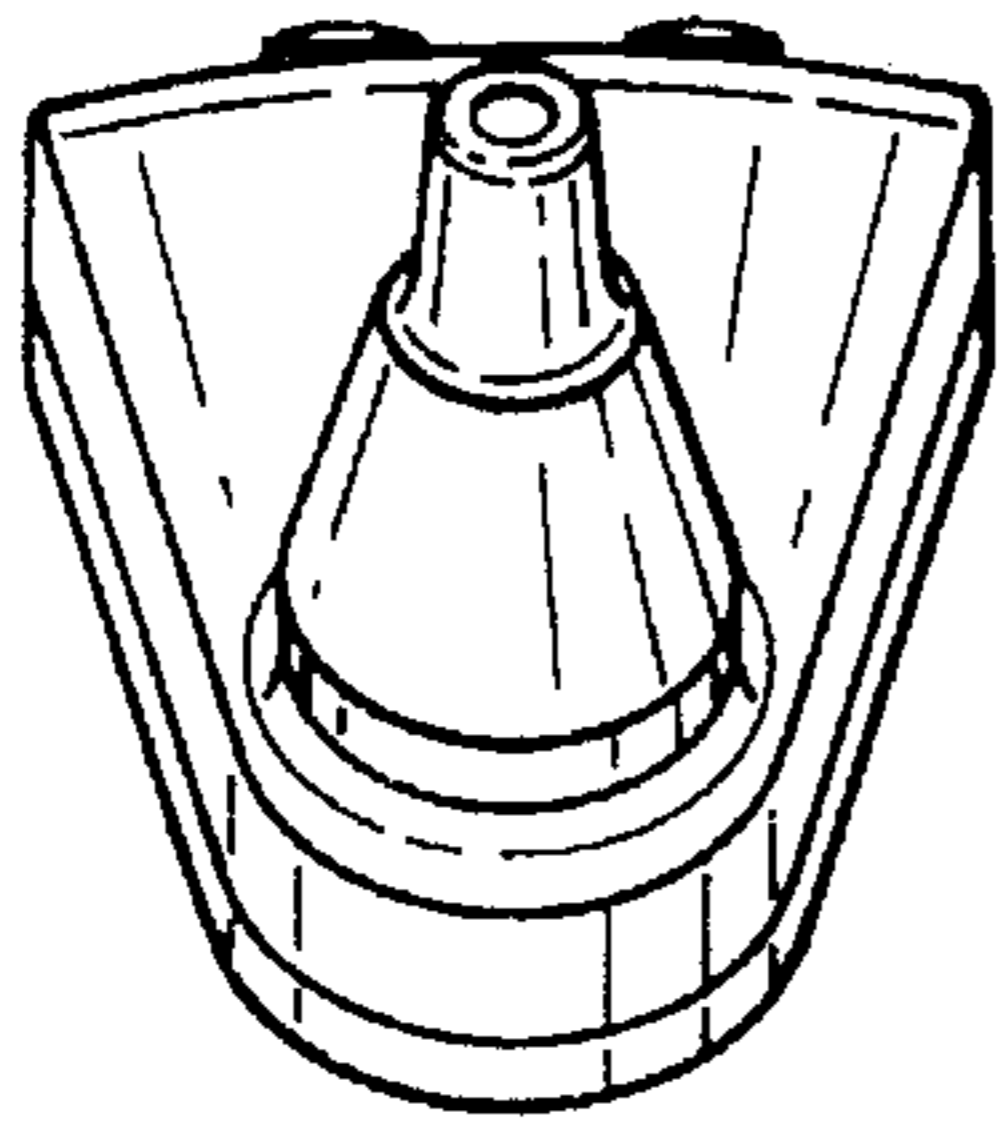


Fig. 6

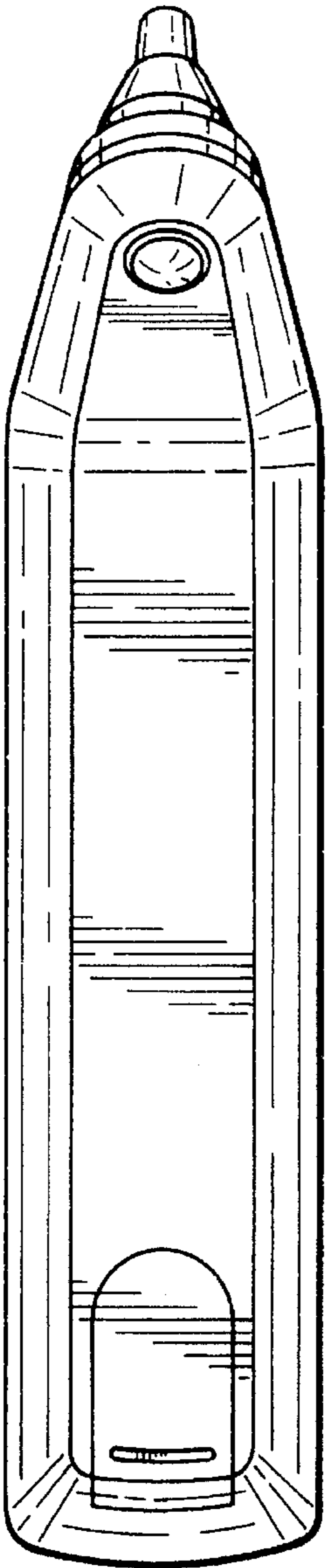


Fig. 5

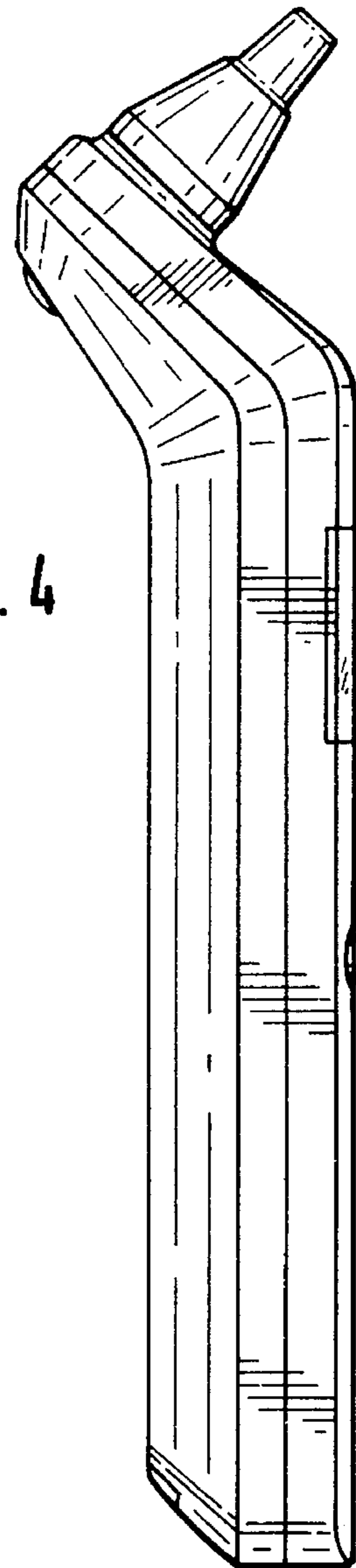


Fig. 4