



US00D377905S

# United States Patent [19]

[11] Patent Number: **Des. 377,905**

Lage

[45] Date of Patent: **\*\*Feb. 11, 1997**

[54] **CLOCK**

D. 317,696 6/1991 Lage .  
D. 354,004 1/1995 Brown .

[75] Inventor: **David P. Lage**, St. Louis County, Mo.

### OTHER PUBLICATIONS

[73] Assignee: **Quick Point, Inc.**, Fenton, Mo.

*Saks Fifth Ave Folio*—Holiday 1995 (at least as early as Jul. 11, 1995).

[\*\*] Term: **14 Years**

*Primary Examiner*—Nelson C. Holtje  
*Attorney, Agent, or Firm*—Polster, Lieder, Woodruff & Lucchesi, L.C.

[21] Appl. No.: **43,641**

[22] Filed: **Sep. 8, 1995**

[52] U.S. Cl. .... **D10/6; D10/2**

### [57] CLAIM

[58] Field of Search ..... D10/2, 6, 23; D7/536;  
368/285, 276, 277

The ornamental design for clock, as shown.

### DESCRIPTION

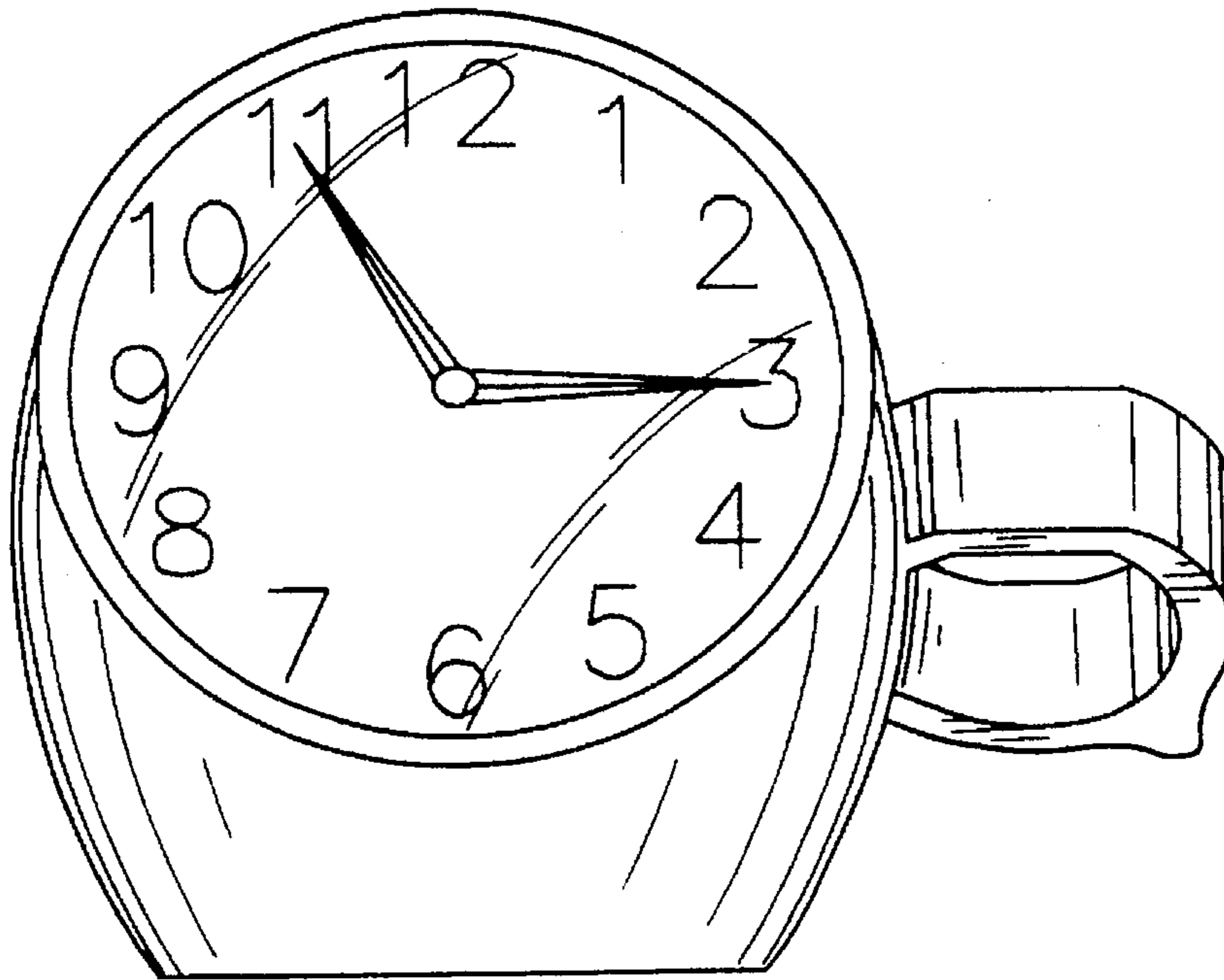
### [56] References Cited

#### U.S. PATENT DOCUMENTS

- D. 16,559 3/1889 Casper .
- D. 65,799 10/1924 Brush .
- D. 176,407 12/1955 Fletcher .
- D. 187,103 1/1960 Kaufman .
- D. 192,174 2/1962 Trombley .
- D. 202,643 10/1965 Hoyt .
- D. 243,911 4/1977 Thorud .
- D. 247,741 4/1978 Danz et al. .
- D. 314,308 2/1991 Cogswell .

FIG. 1 is a top, front and side perspective view showing the clock of the new design;  
 FIG. 2 is a left side elevational view thereof;  
 FIG. 3 is a right side elevational view thereof;  
 FIG. 4 is a top view thereof taken along line 4—4 of FIG. 2;  
 FIG. 5 is a front elevational view thereof;  
 FIG. 6 is a rear elevational view thereof; and,  
 FIG. 7 is a bottom plan view thereof.

**1 Claim, 4 Drawing Sheets**



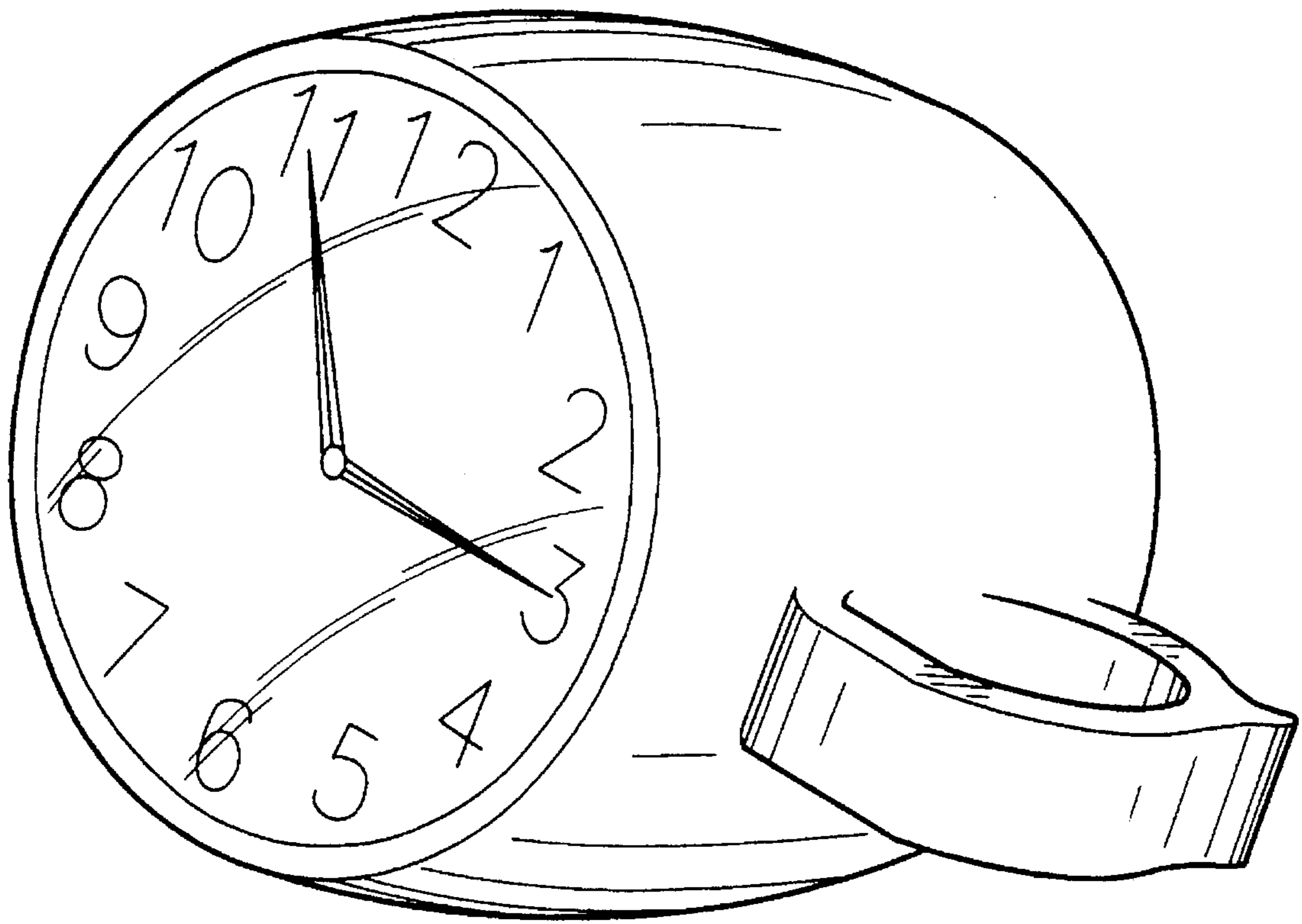


FIG. 1

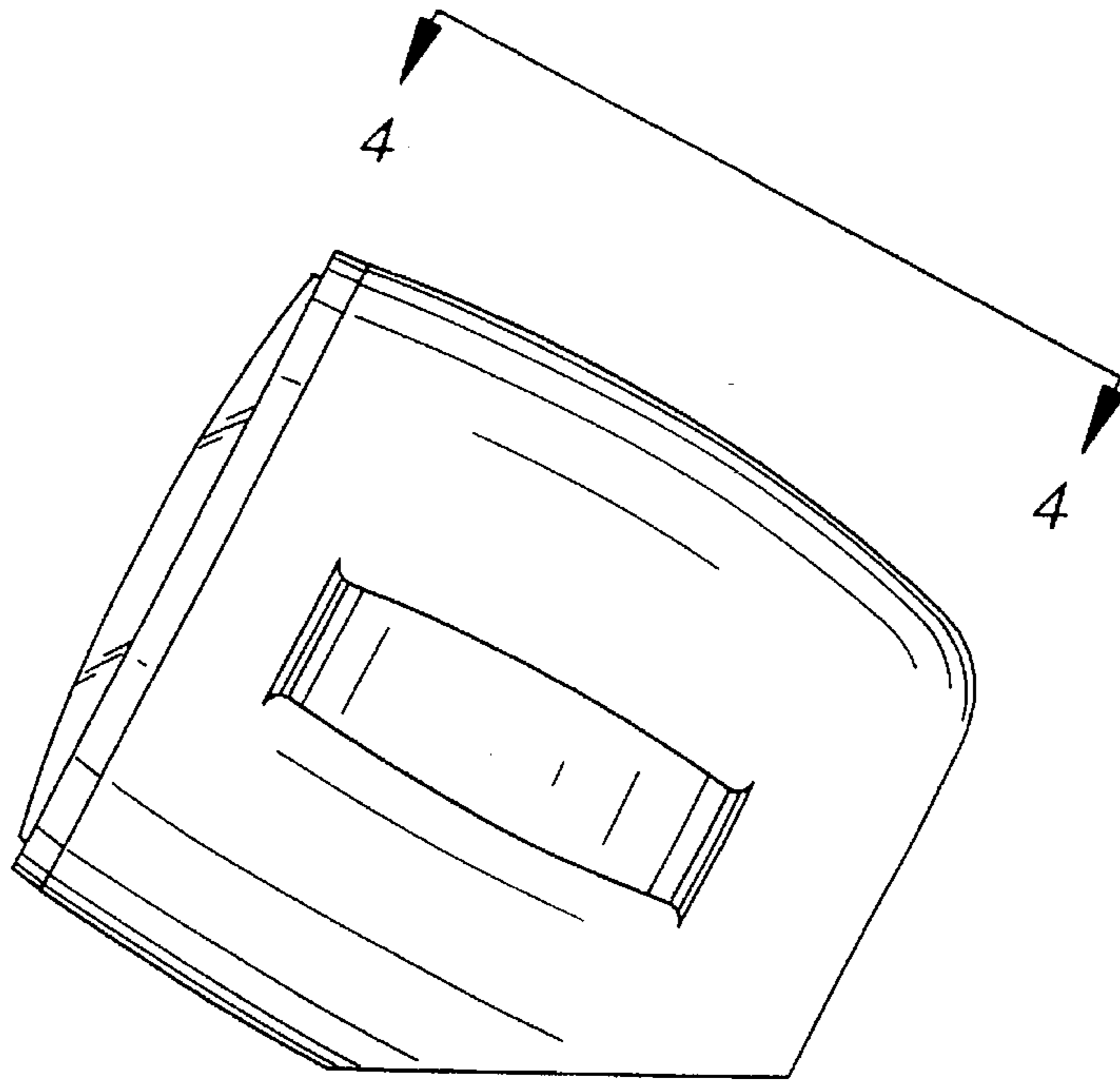


FIG. 2

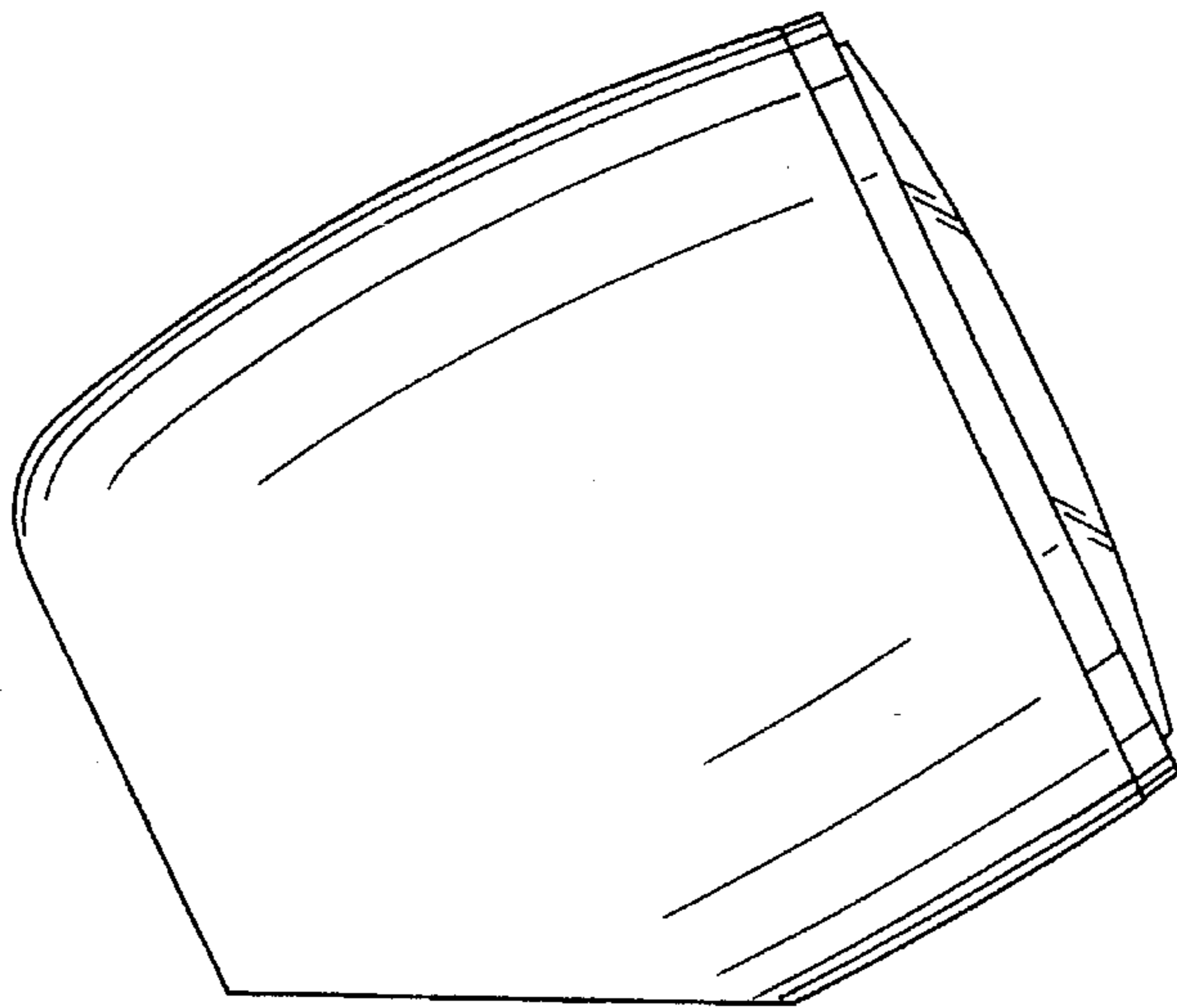
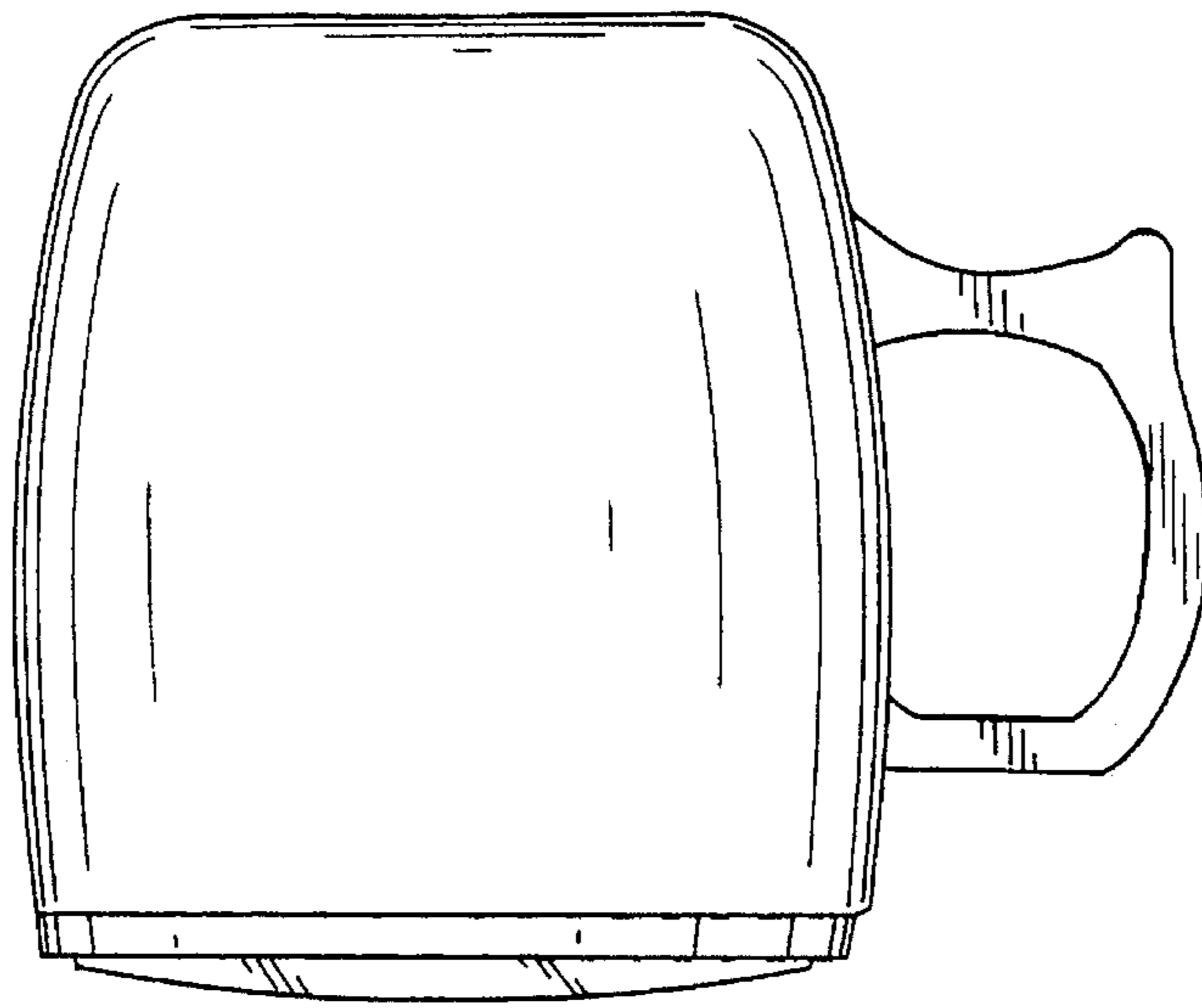
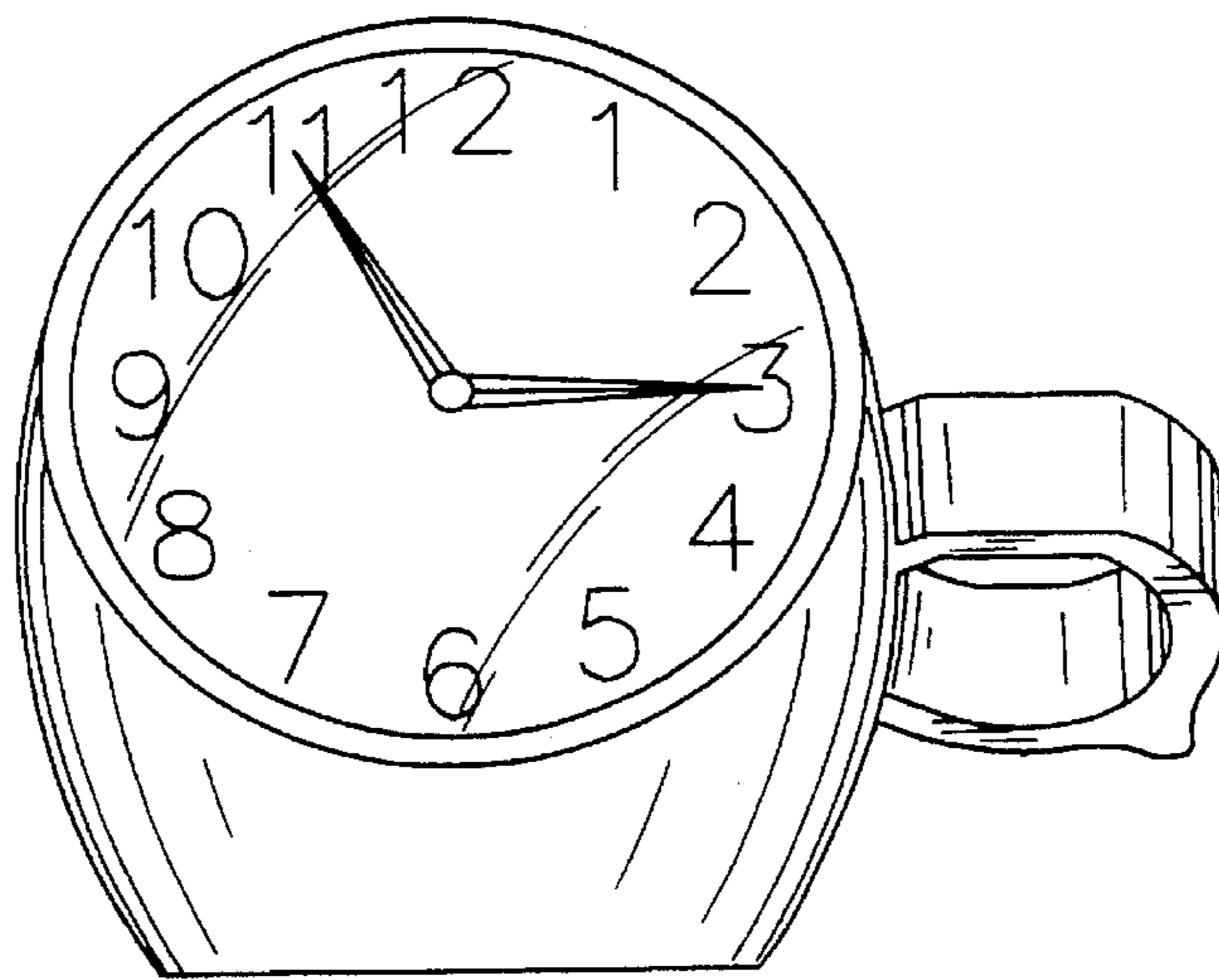


FIG. 3



**FIG.4**



**FIG.5**

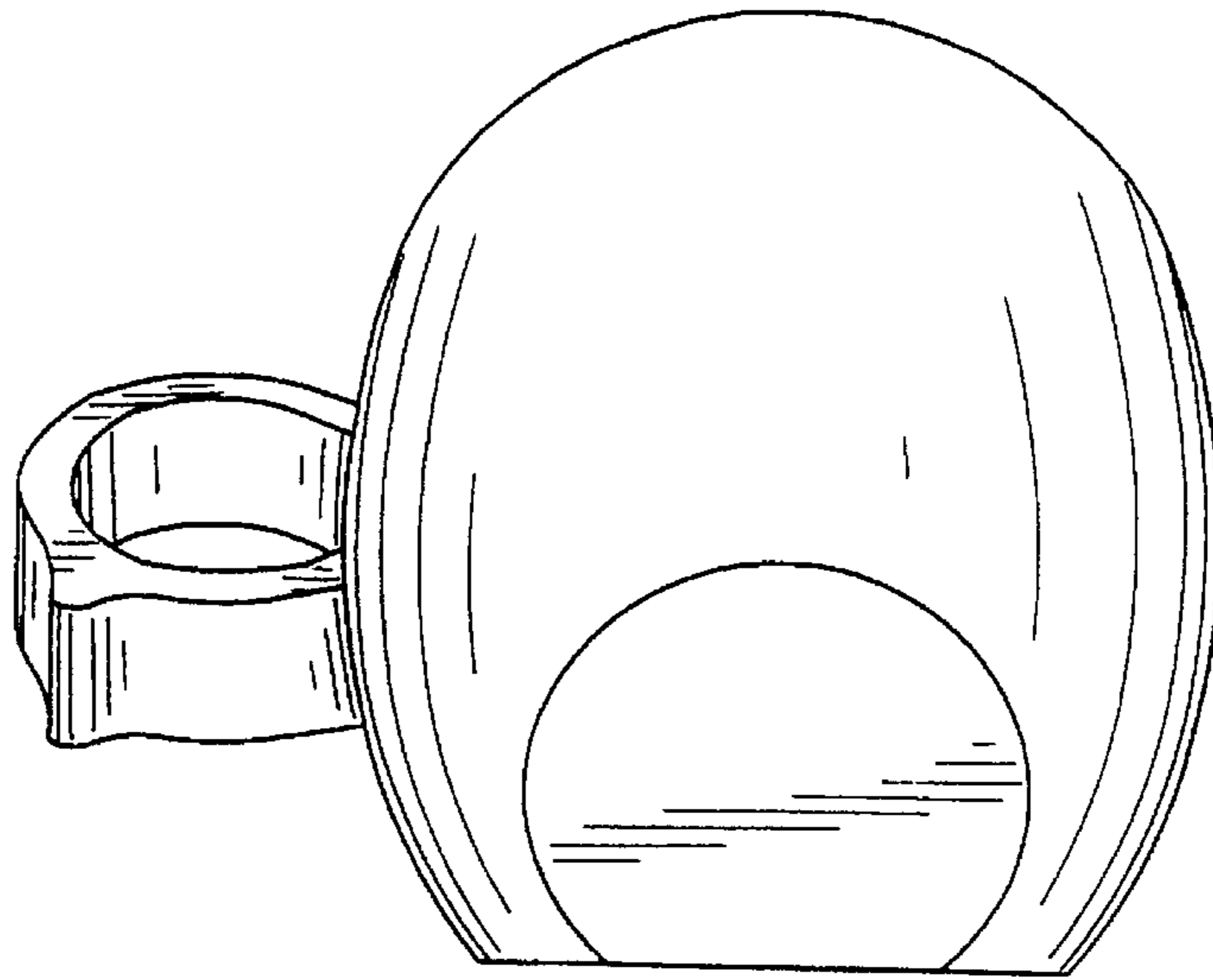


FIG. 6

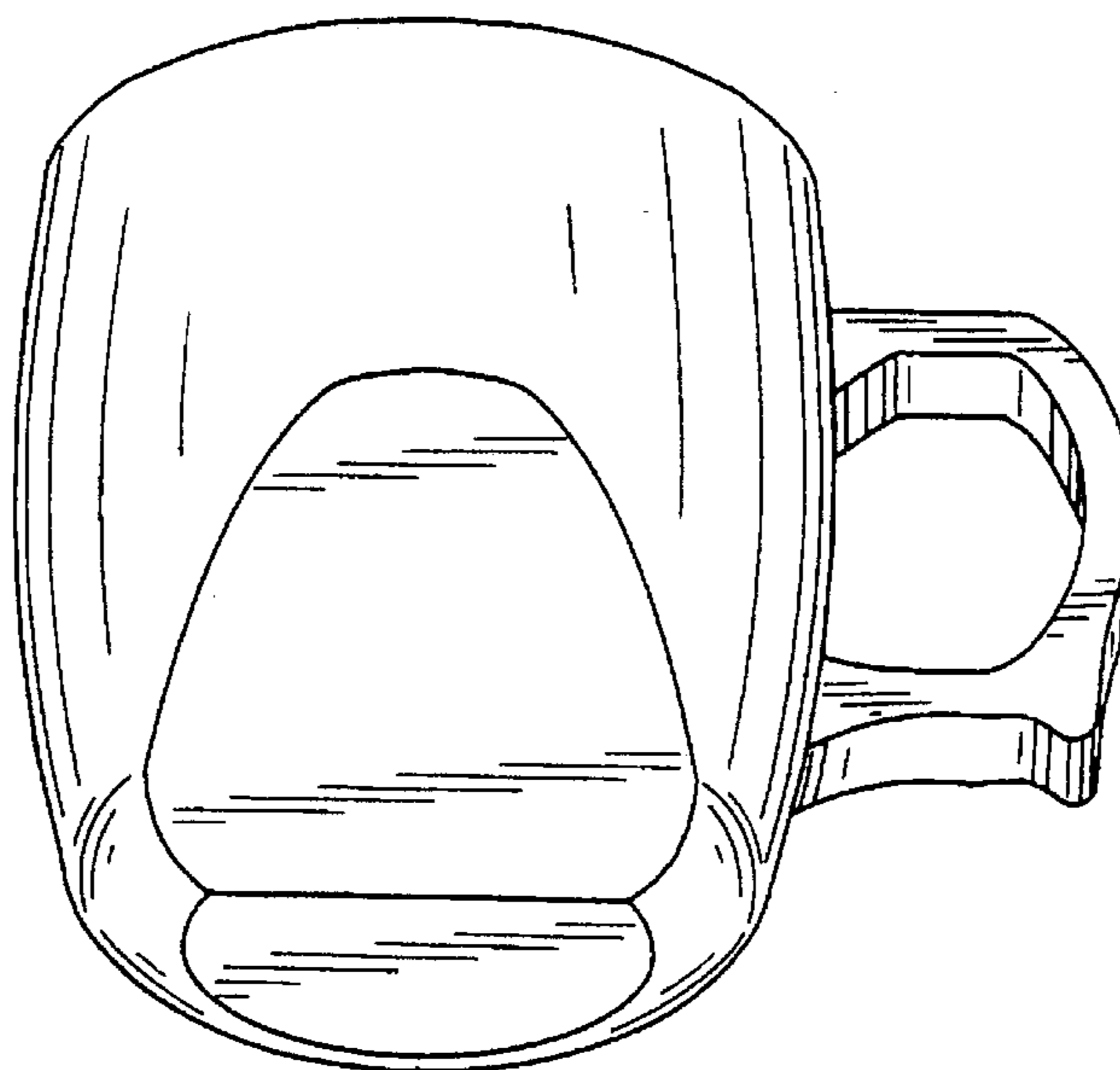


FIG. 7