



US00D377900S

United States Patent [19]

[11] Patent Number: **Des. 377,900**

Ford

[45] Date of Patent: ****Feb. 11, 1997**

[54] PAINT CAN SPOUT

5,012,960 5/1991 Arnold .

[76] Inventor: **David R. Ford**, 301 Feather Glen,
Ridgeland, Miss. 39157

FOREIGN PATENT DOCUMENTS

[**] Term: **14 Years**

247821	2/1926	United Kingdom	222/570
535192	4/1941	United Kingdom	222/570
2246757	2/1992	United Kingdom	220/700

[21] Appl. No.: **52,086**

Primary Examiner—James Gandy
Assistant Examiner—Cathron B. Matta

[22] Filed: **Mar. 22, 1996**

[52] U.S. Cl. **D9/435; D9/447**

[57] CLAIM

[58] Field of Search D9/434, 435, 440,
D9/447, 499; D32/53, 54; 220/700, 701;
222/570

The ornamental design for the paint can spout, as shown and described.

DESCRIPTION

[56] References Cited

U.S. PATENT DOCUMENTS

D. 222,829	1/1972	Proctor et al.	D9/447
D. 229,675	12/1973	Kuncz	D9/447
D. 283,492	4/1986	Nitsch	D9/436
D. 296,080	6/1988	Conte	D9/434
D. 335,082	4/1993	Delorey .	
1,867,060	7/1932	Carr	222/570
2,767,891	10/1956	Beadles	220/701 X
3,229,868	1/1966	Bayne	D9/438 X
3,429,478	2/1969	Ward	D9/434 X
4,034,901	7/1977	Kirk .	
4,702,395	10/1987	Nitsch .	
4,893,723	1/1990	Seabolt .	
4,907,714	3/1990	Gatz .	

FIG. 1 is a perspective view of the paint can spout showing my new design, the broken line showing of a paint can is for illustrative purposes only and forms no part of the claimed design;

FIG. 2 is a front elevational view thereof;

FIG. 3 is a rear elevational view thereof;

FIG. 4 is a left side elevational view thereof, the right side being a mirror image thereof;

FIG. 5 is a cross-sectional view thereof taken along line 5—5 of FIG. 2;

FIG. 6 is a top plan view thereof; and,

FIG. 7 is a bottom plan view thereof.

1 Claim, 3 Drawing Sheets

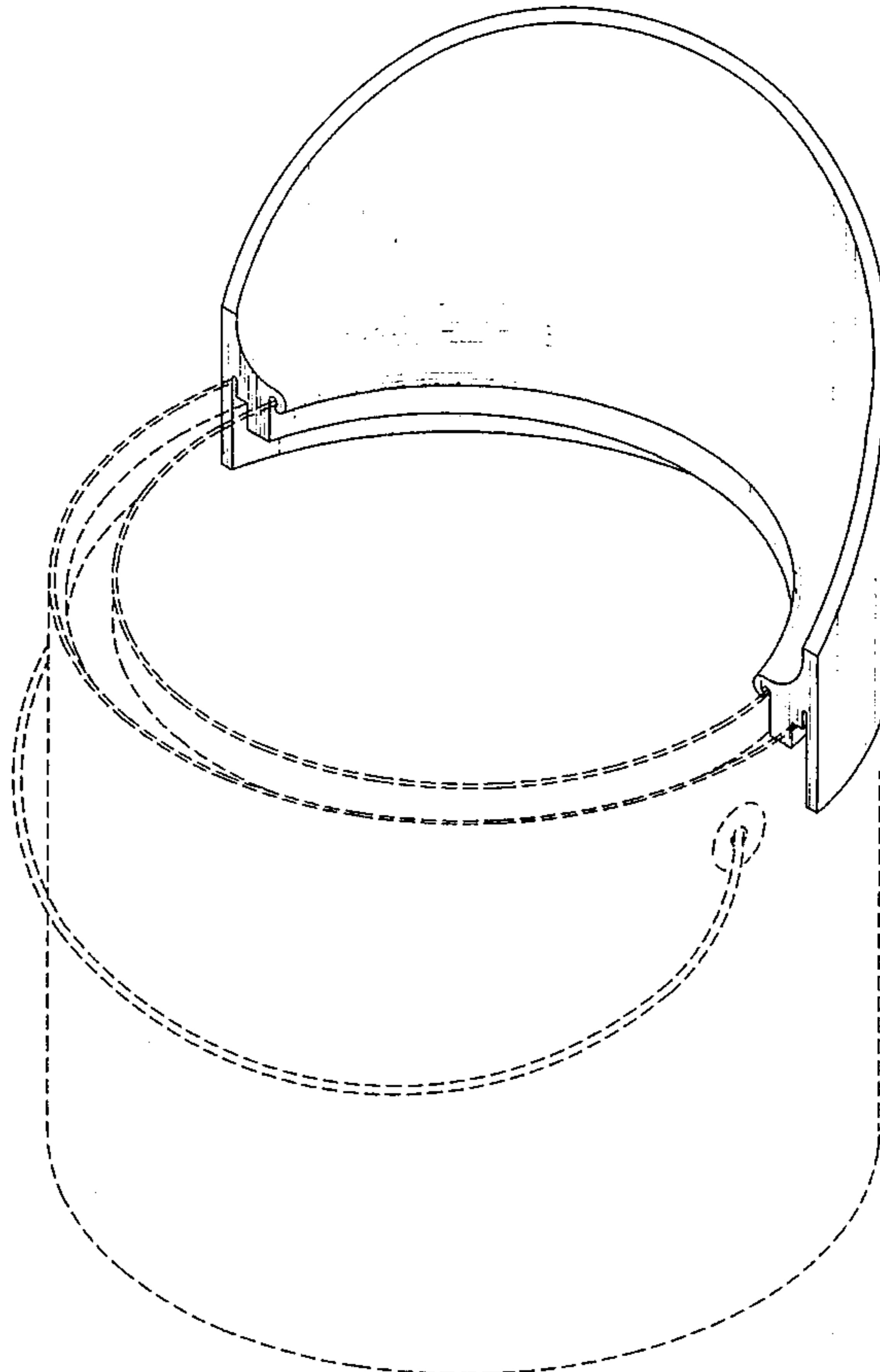


FIG. 1

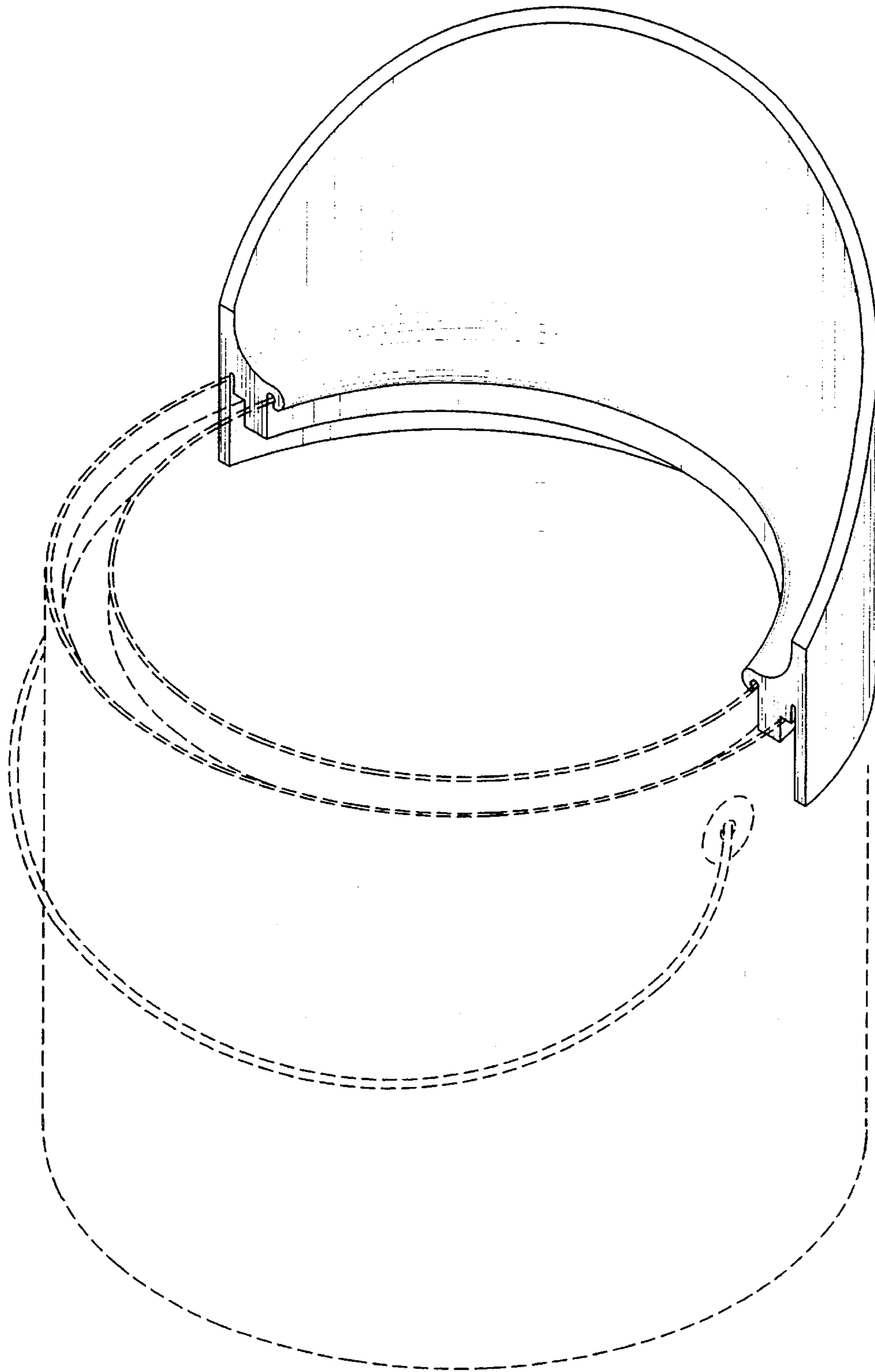


FIG. 2

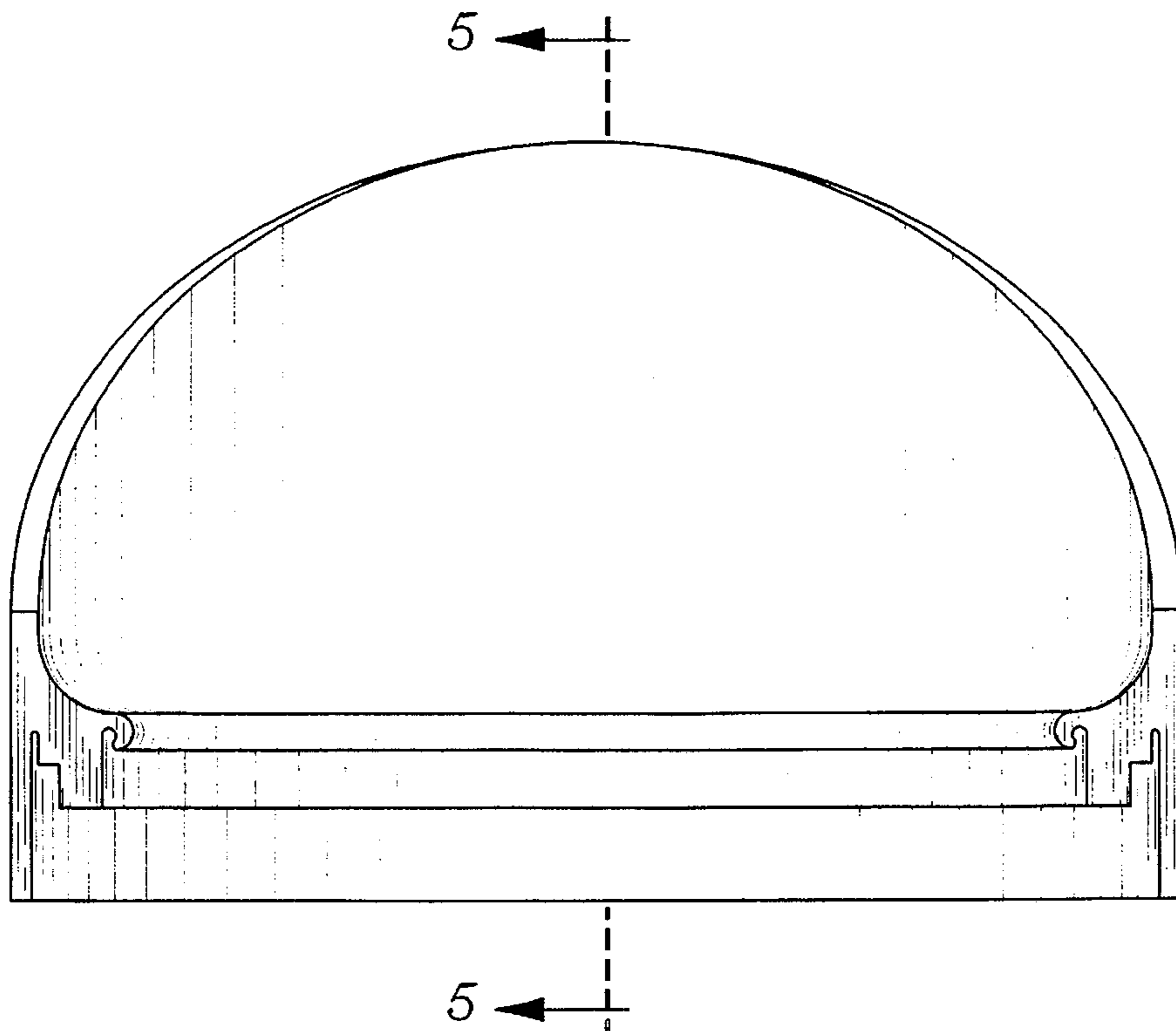


FIG. 3

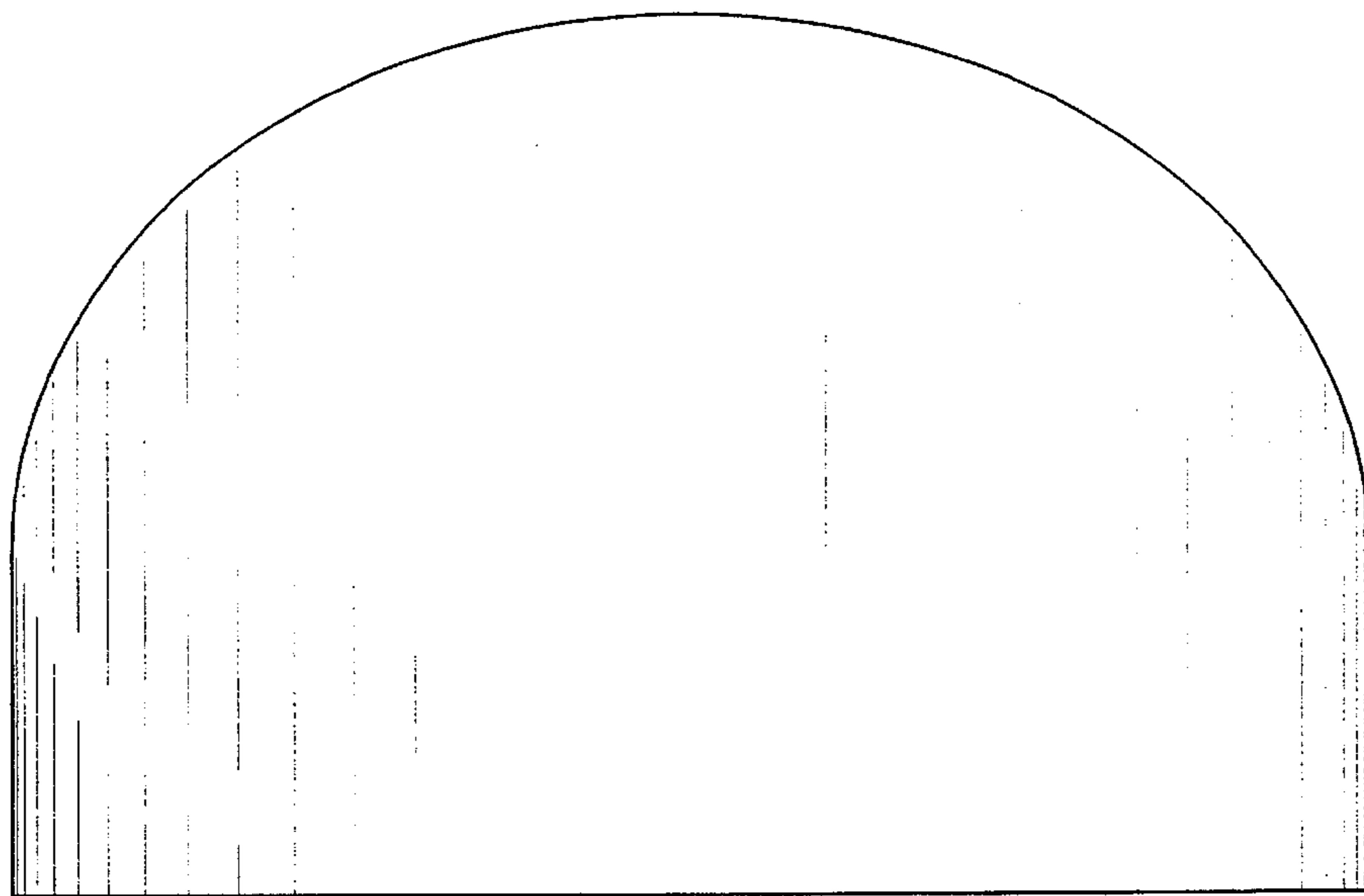


FIG. 4

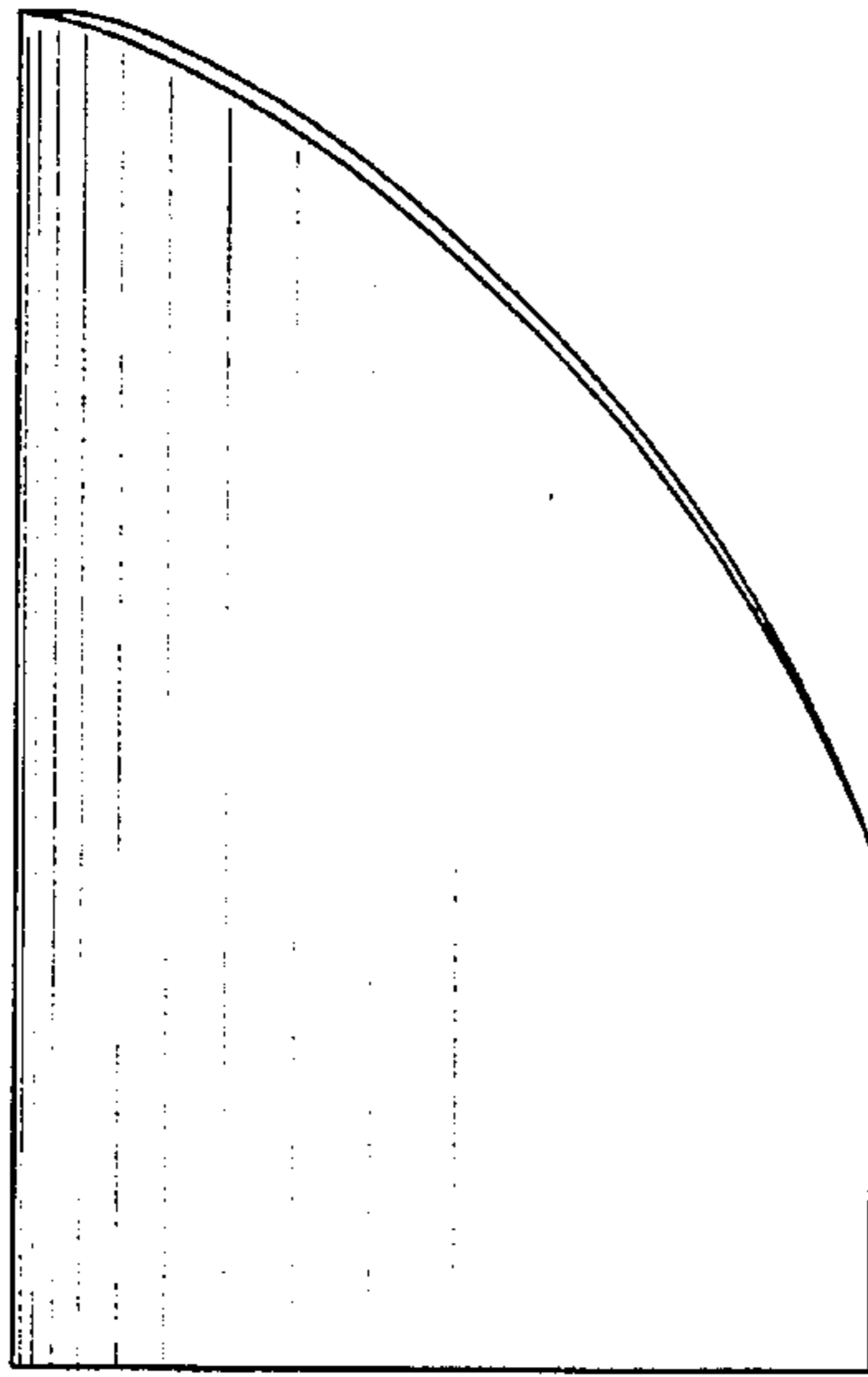


FIG. 5

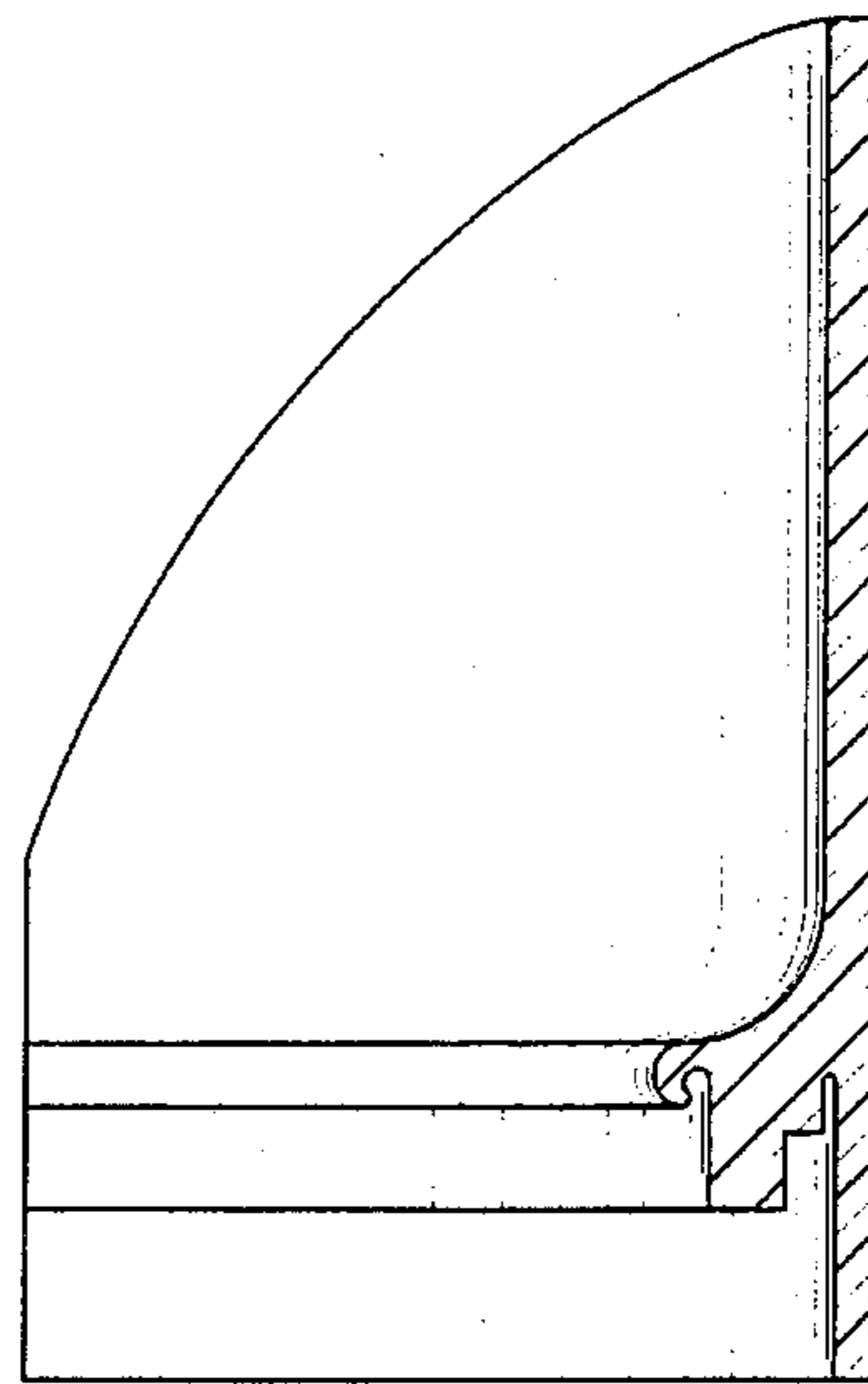


FIG. 6

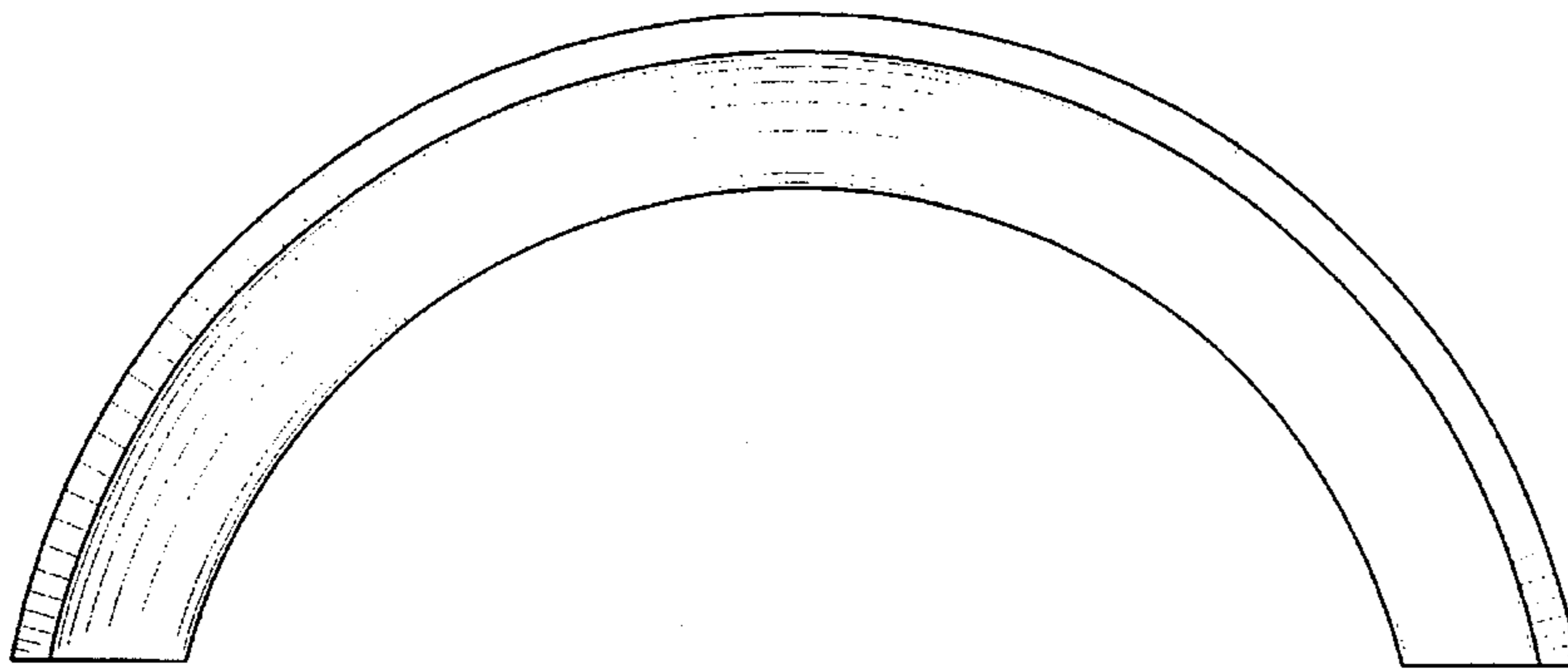


FIG. 7

