



US00D377899S

# United States Patent [19]

Riley et al.

[11] Patent Number: **Des. 377,899**

[45] Date of Patent: **\*\*Feb. 11, 1997**

[54] **STABILIZING DEVICE**

807469 1/1959 United Kingdom ..... 49/489.1  
1074880 7/1967 United Kingdom ..... 49/489.1

[75] Inventors: **Paula Riley**, New York; **Kenneth V. Stevens**, Brooklyn, both of N.Y.

[73] Assignee: **Prescient Partners, L.P.**, New York, N.Y.

[\*\*] Term: **14 Years**

[21] Appl. No.: **39,100**

[22] Filed: **May 17, 1995**

[52] U.S. Cl. .... **D8/499; D25/123; D25/125**

[58] Field of Search ..... D25/119, 123, D25/125, 136, 164; D6/491; D8/400, 402, 403, 499; 52/255, 287.1, 716.3, 717.03, 717.05; 49/489.1; 297/225, 226, 229, 228.13; 24/460, 462, 72.5, 304, DIG. 11

[56] **References Cited**

**U.S. PATENT DOCUMENTS**

D. 269,911	7/1983	Lucous .....	D25/121
D. 299,869	2/1989	Green .....	D25/123
2,801,450	8/1957	Funke .....	49/489.1
3,049,260	8/1962	Stone .....	206/586 X
3,371,702	3/1968	Meegan et al. ....	160/392
3,517,473	6/1970	Kistner et al. ....	16/86 A X
4,660,323	4/1987	Kanies .....	16/86 A X
4,712,695	12/1987	Cheng .....	D25/123 X
5,248,542	9/1993	Hinzpeter et al. ....	49/489.1 X

**FOREIGN PATENT DOCUMENTS**

A077125	12/1961	France .....	24/462
---------	---------	--------------	--------

**OTHER PUBLICATIONS**

B & T Metal Trims Cromeage, B & T Floor Co. Cat. No. 140 c 1940: Corner and Cove Trims in 3rd Row: Item No. 731. "Modern Plastics" Nov. 1957, p. 95: Upper Left-2nd Extruded Form from top, shown by arrow.

*Primary Examiner*—Philip S. Hyder  
*Assistant Examiner*—C. Tuttle  
*Attorney, Agent, or Firm*—Notaro & Michalos

[57] **CLAIM**

The ornamental design for a stabilizing device, as shown and described.

**DESCRIPTION**

FIG. 1 is a top perspective view of our new design; FIG. 2 is a front elevational view thereof; the right side elevational view being a mirror image thereof; FIG. 3 is a left side elevational view thereof; the right side elevational view being a mirror image thereof; FIG. 4 is a top plan view thereof; FIG. 5 is a bottom plan view thereof; FIG. 6 is a top perspective view of a second modified embodiment of our design wherein the lower edge is lined for the color red; and, FIG. 7 is a left side elevational view thereof the right side elevational view being a mirror image thereof. The stabilizing device is shown partially broken away in the various views to indicate indeterminate length.

**1 Claim, 4 Drawing Sheets**

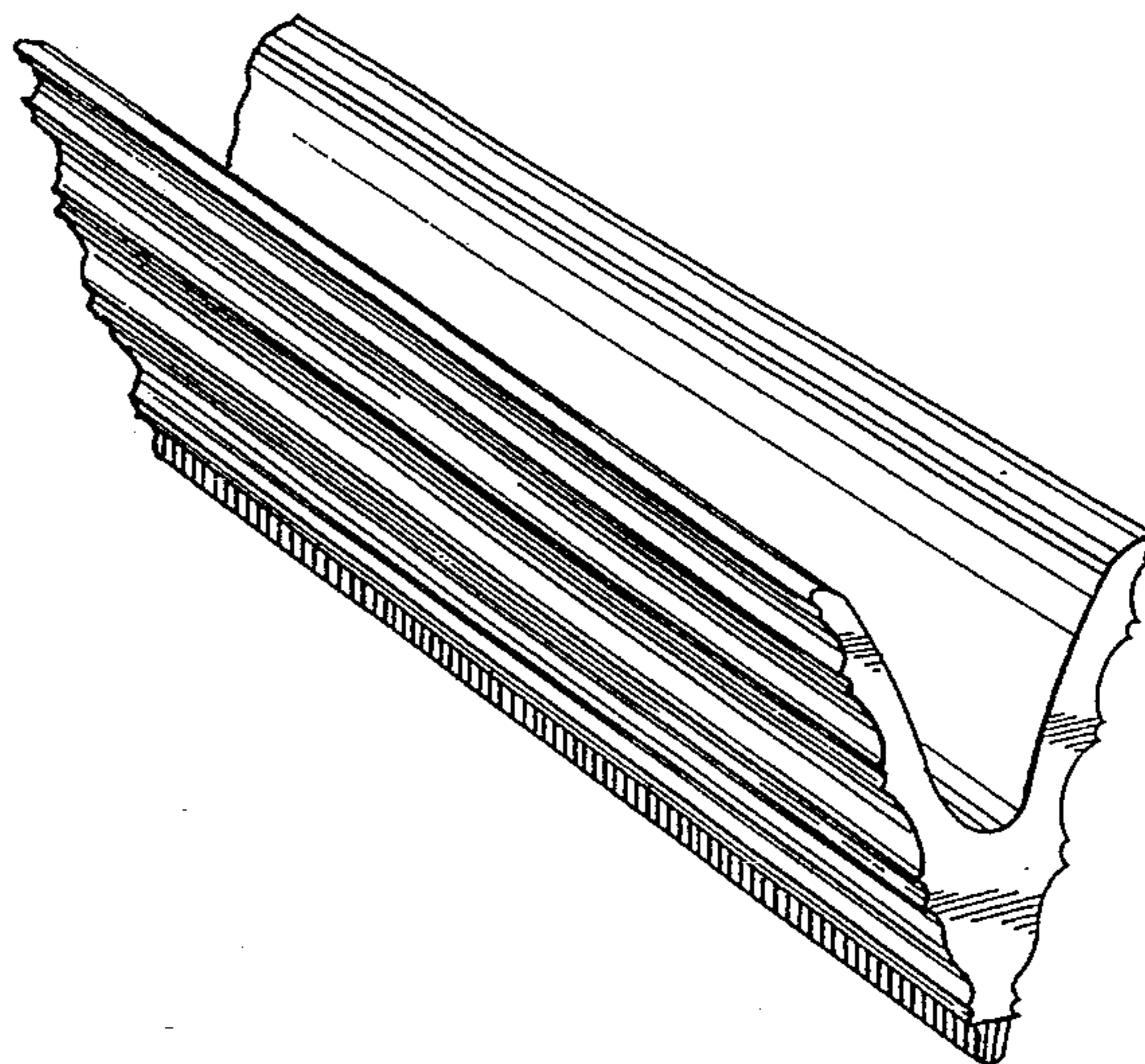
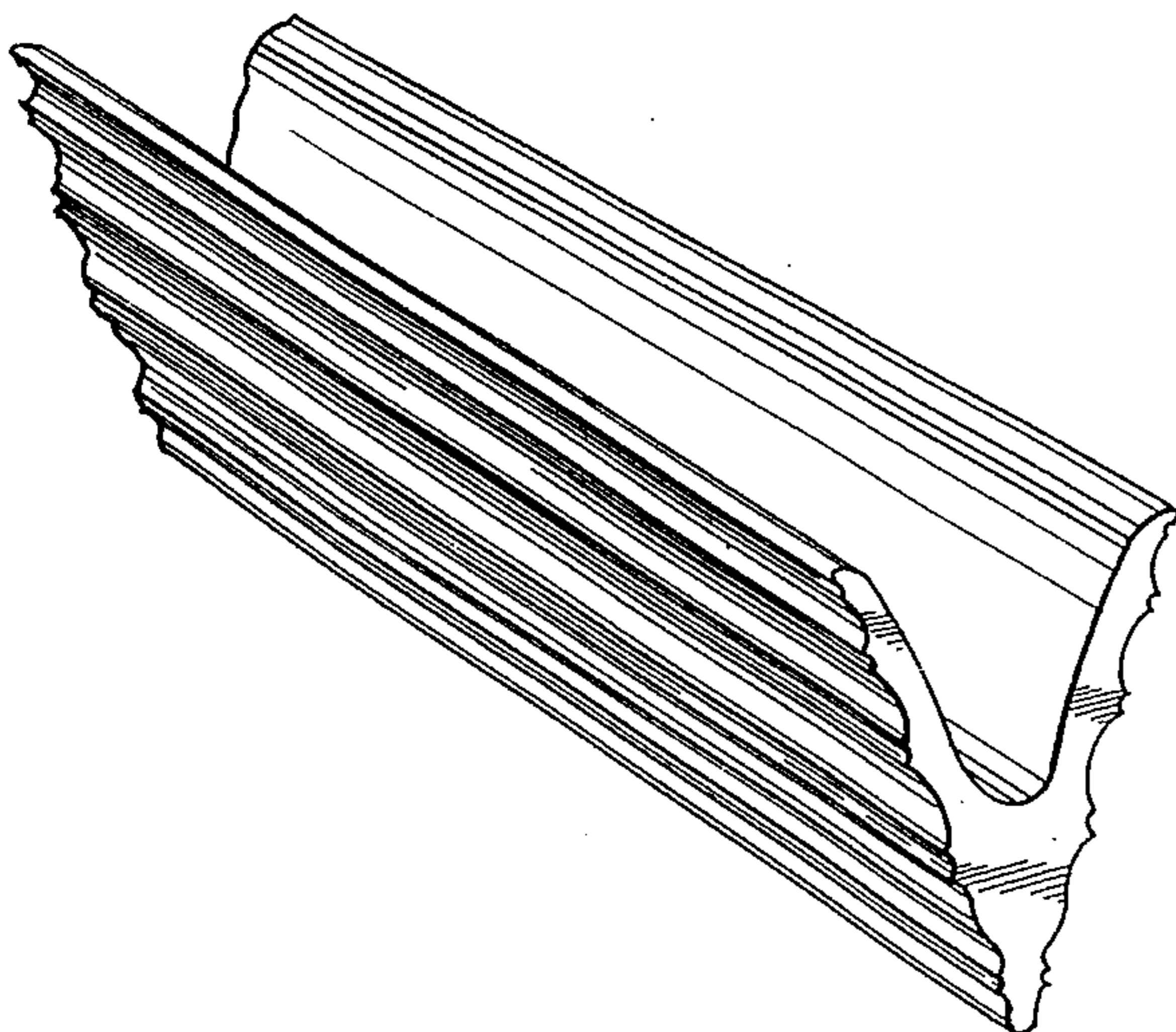
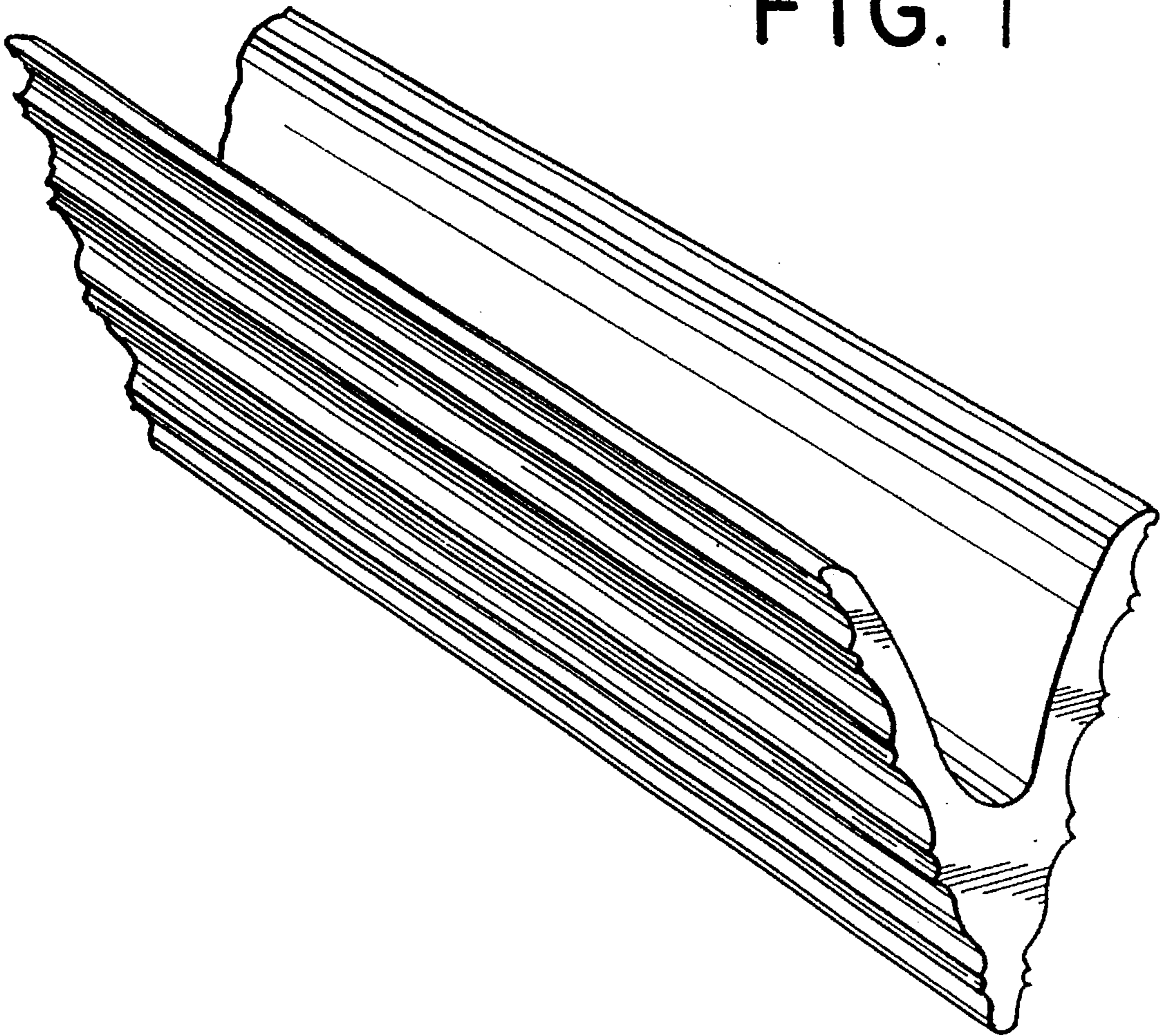


FIG. 1



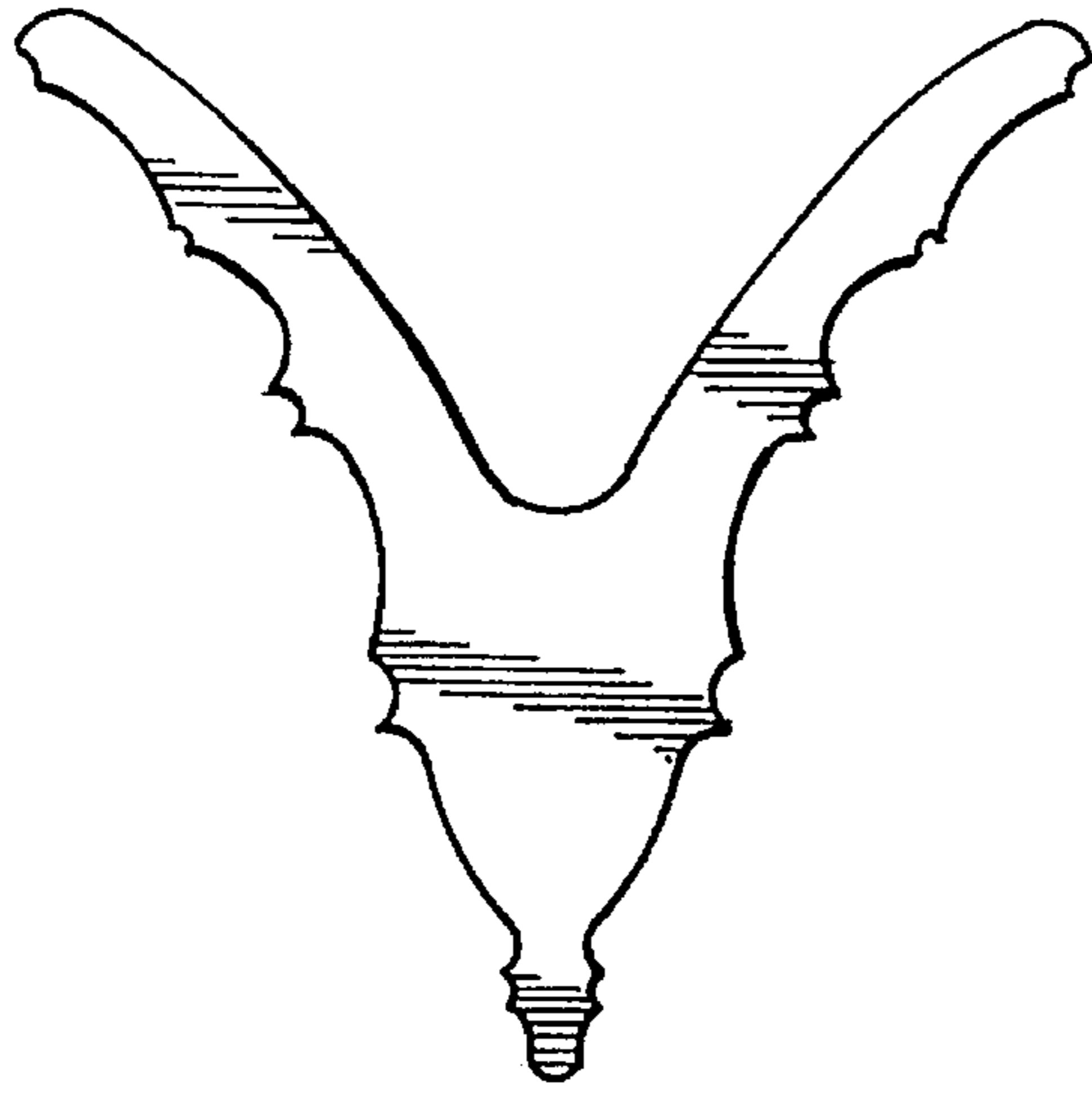


FIG. 2

FIG. 3

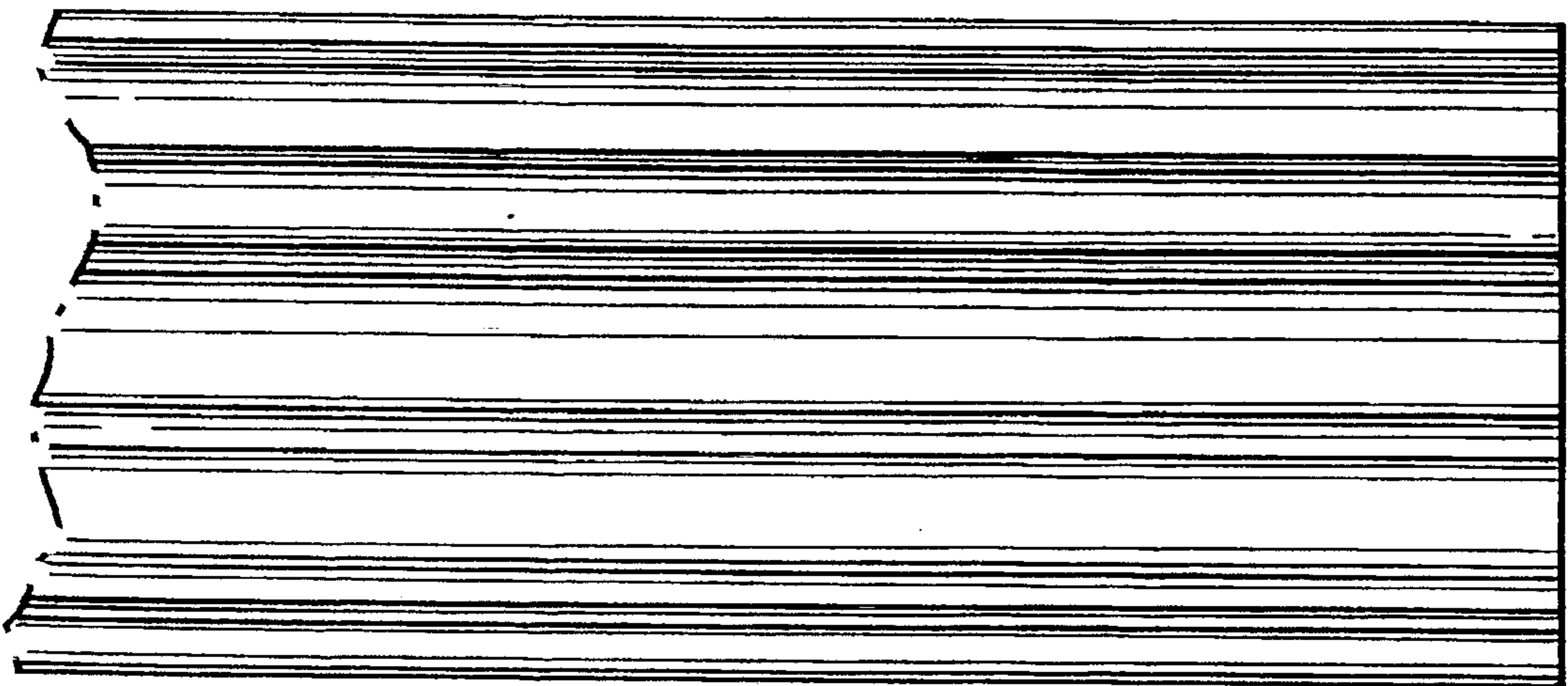


FIG. 4

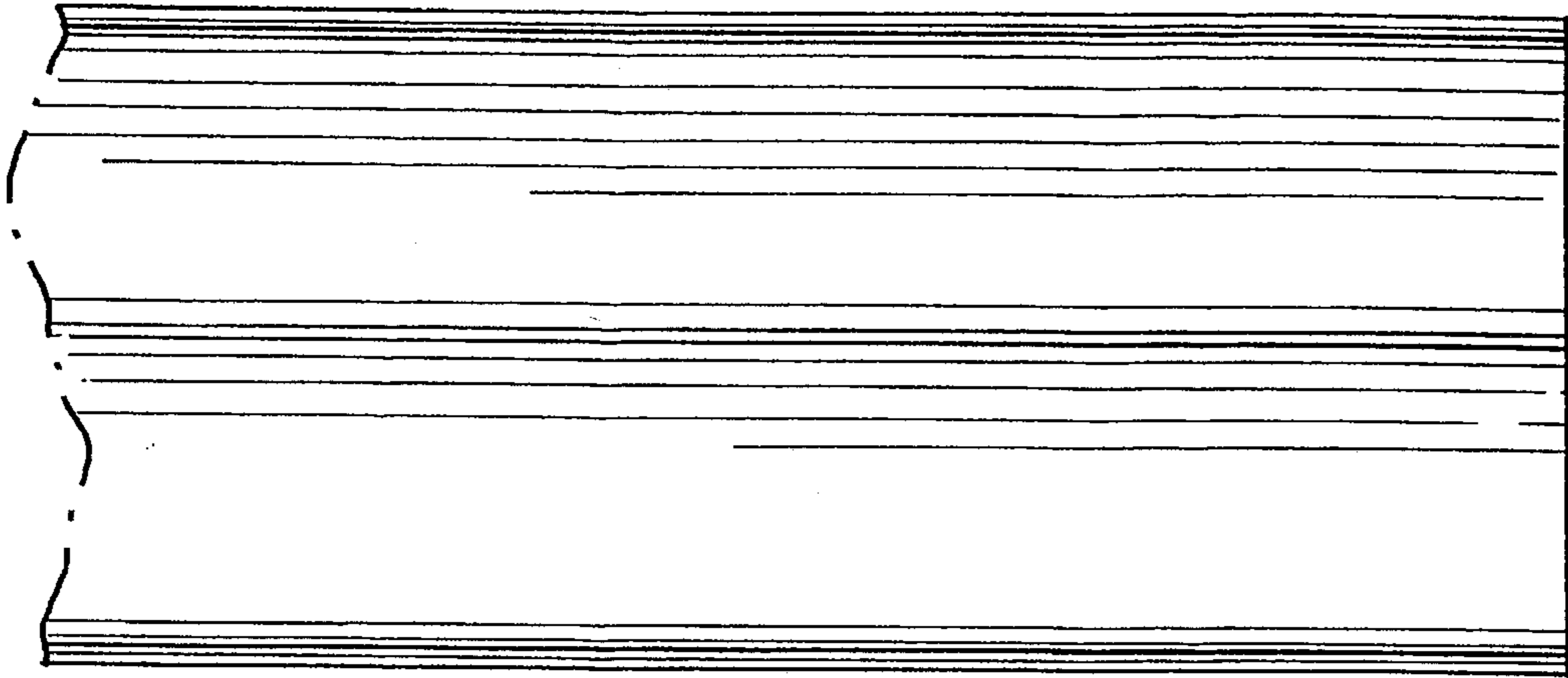


FIG. 5

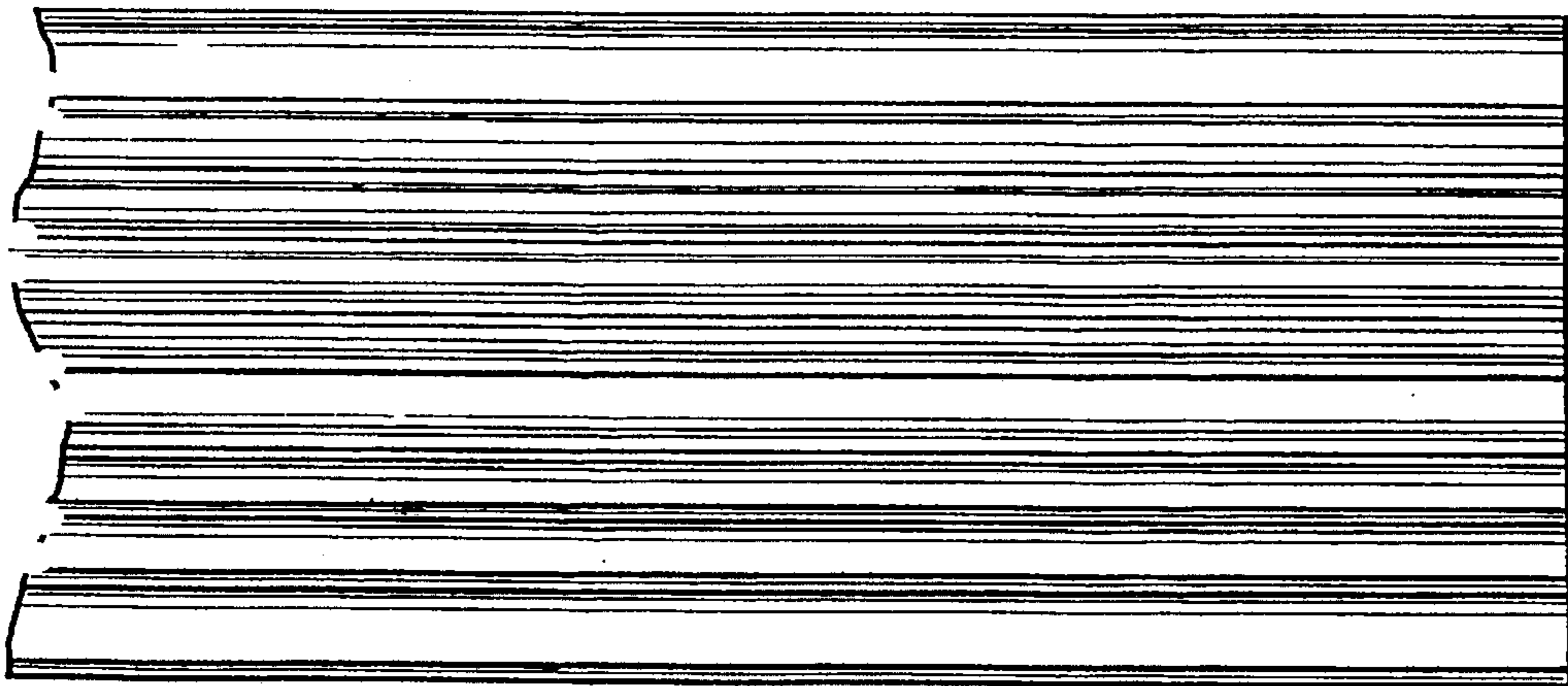


FIG. 6

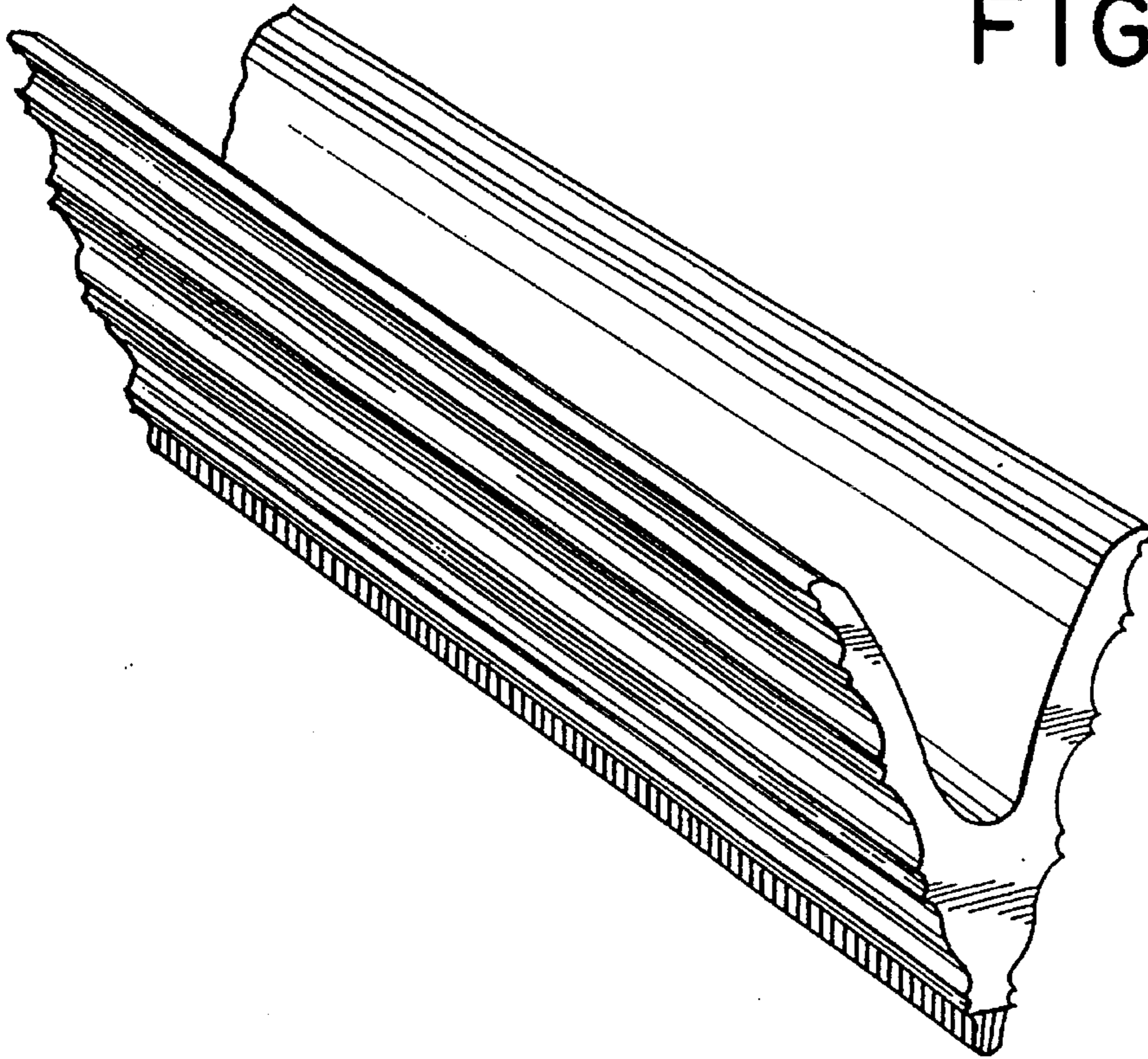


FIG. 7

