



US00D377897S

United States Patent [19]

Vogels

[11] Patent Number: **Des. 377,897**

[45] Date of Patent: ****Feb. 11, 1997**

[54] **TV CEILING SUPPORT**

D. 350,664 9/1994 Vogels D6/513
4,659,047 4/1987 Haller 248/310 X

[75] Inventor: **Henricus H. Vogels**, Eindhoven, Netherlands

Primary Examiner—Brian N. Vinson
Attorney, Agent, or Firm—Ladas & Parry

[73] Assignee: **Vogel's Holding B.V.**, Eindhoven, Netherlands

[57] **CLAIM**

[**] Term: **14 Years**

The ornamental design for a TV ceiling support, as shown.

[21] Appl. No.: **47,841**

DESCRIPTION

[22] Filed: **Dec. 13, 1995**

[30] **Foreign Application Priority Data**

FIG. 1 is a perspective view showing my new design;

Jun. 15, 1995 [WO] WIPO DMA/002971

FIG. 2 is a front view thereof;

[52] **U.S. Cl.** **D8/373; D6/513**

FIG. 3 is a back view thereof;

[58] **Field of Search** D8/373, 363; D6/512-514;
248/637, 670, 317, 323-234, 310; 211/86,
113

FIG. 4 is a left side view thereof;

FIG. 5 is a right side view thereof;

FIG. 6 is a top view thereof; and,

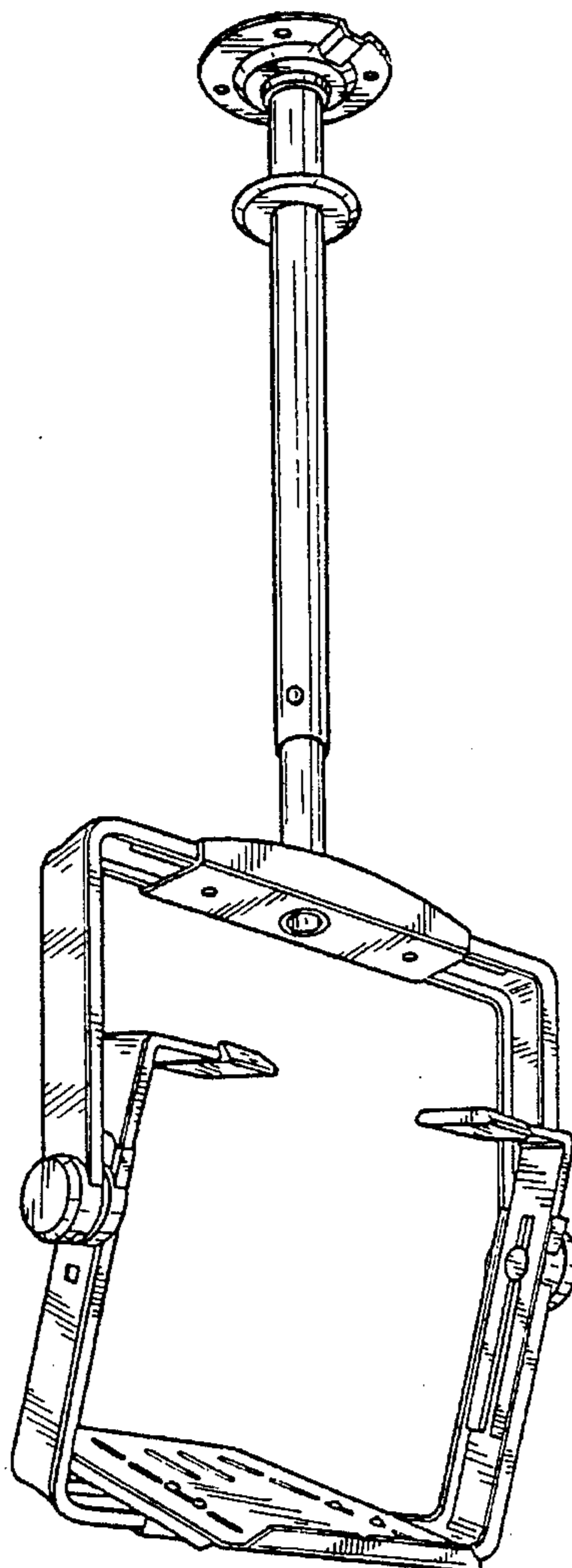
FIG. 7 is a bottom view thereof.

[56] **References Cited**

U.S. PATENT DOCUMENTS

D. 314,483 2/1991 Zimprich et al. D6/513

1 Claim, 3 Drawing Sheets



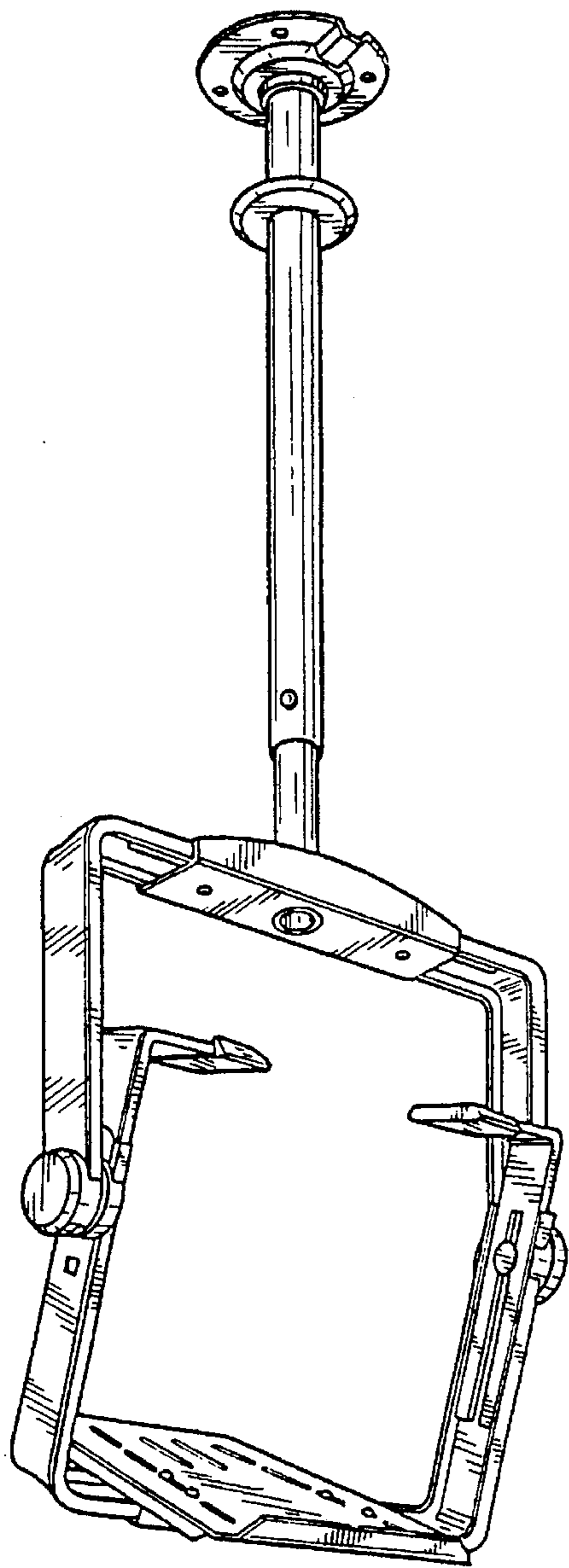


FIG. 1

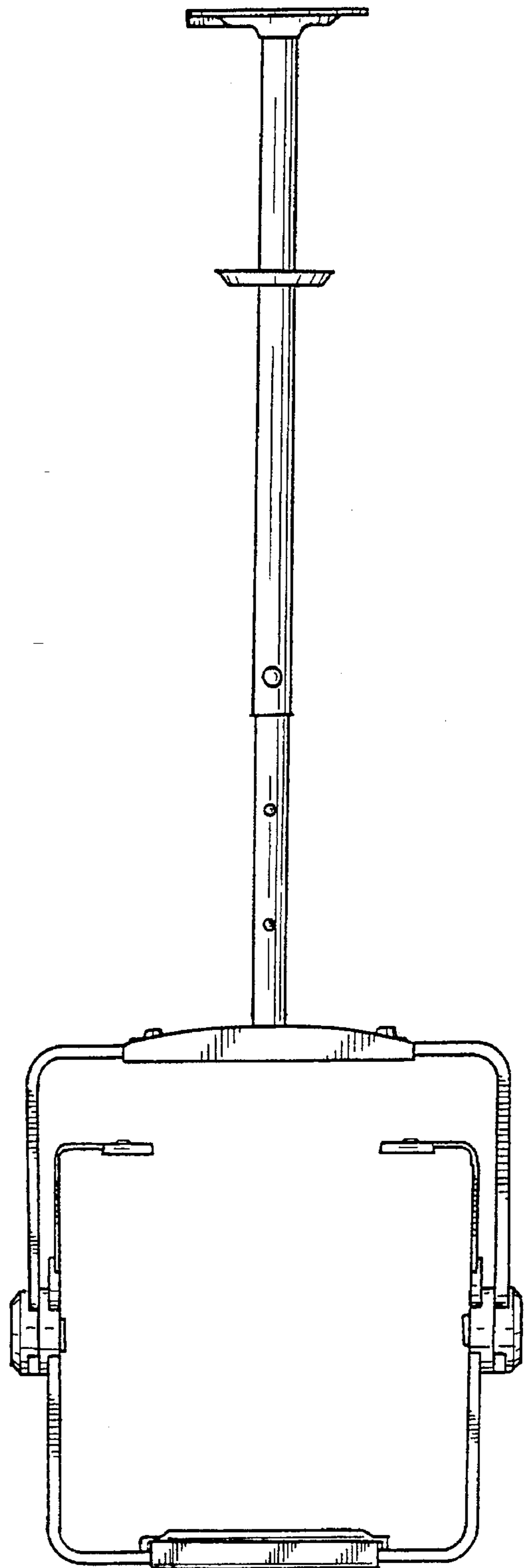


FIG. 2

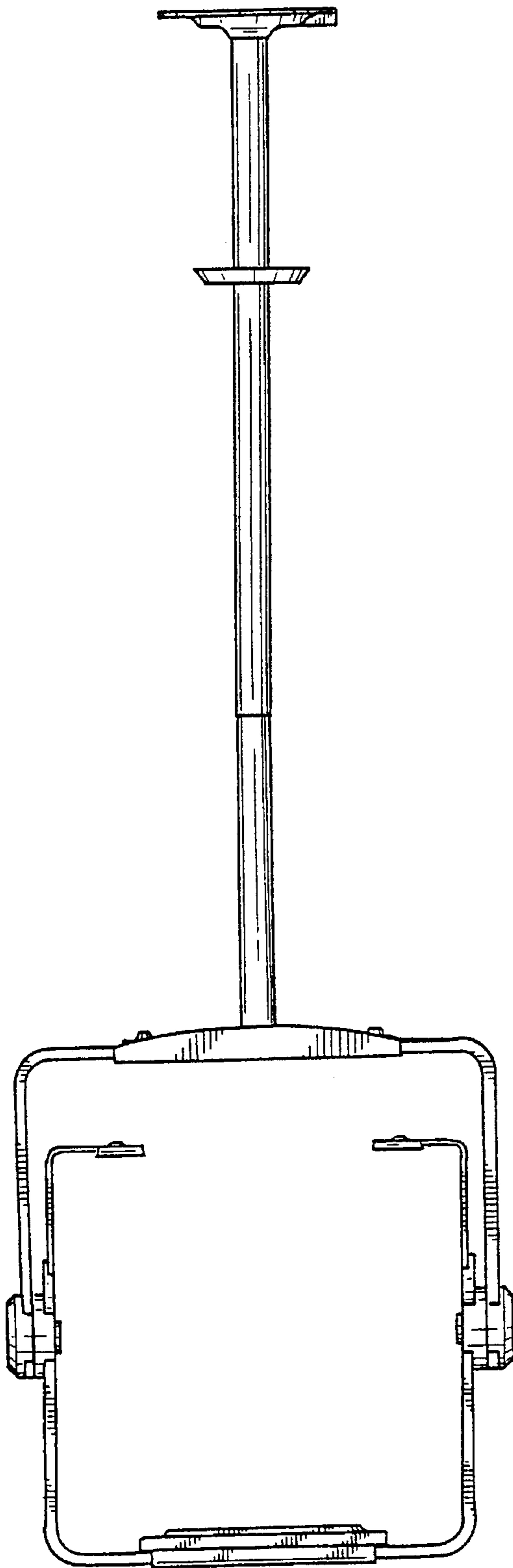


FIG. 3

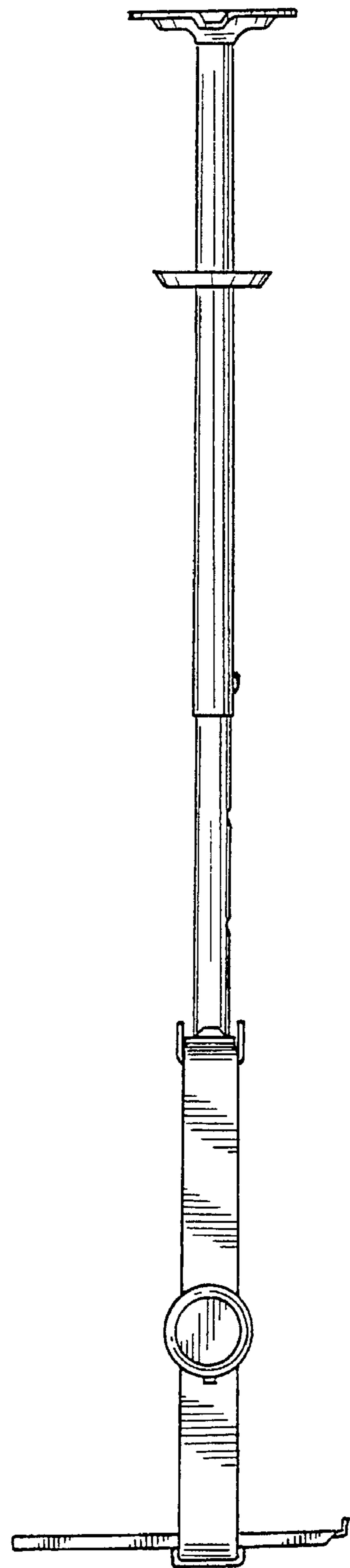


FIG. 4

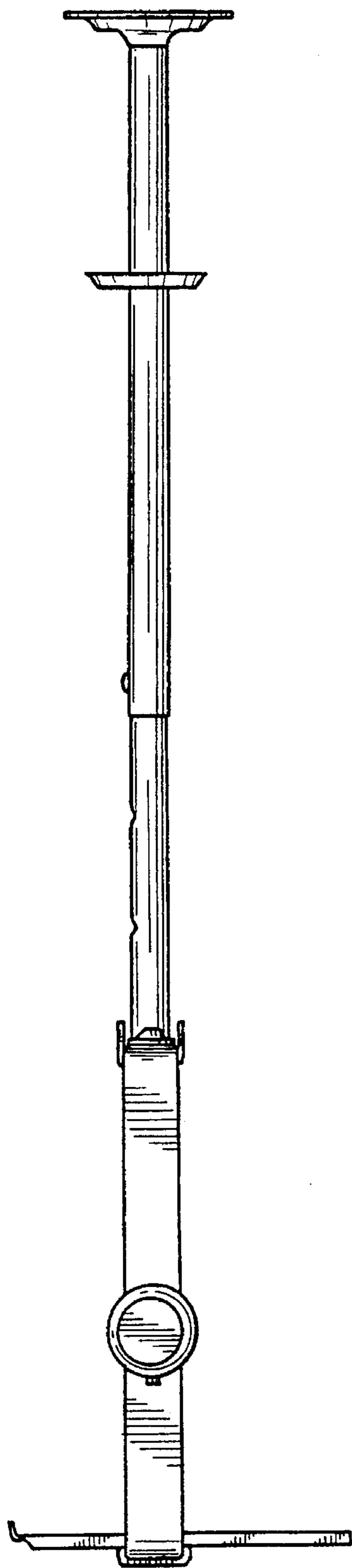


FIG. 5

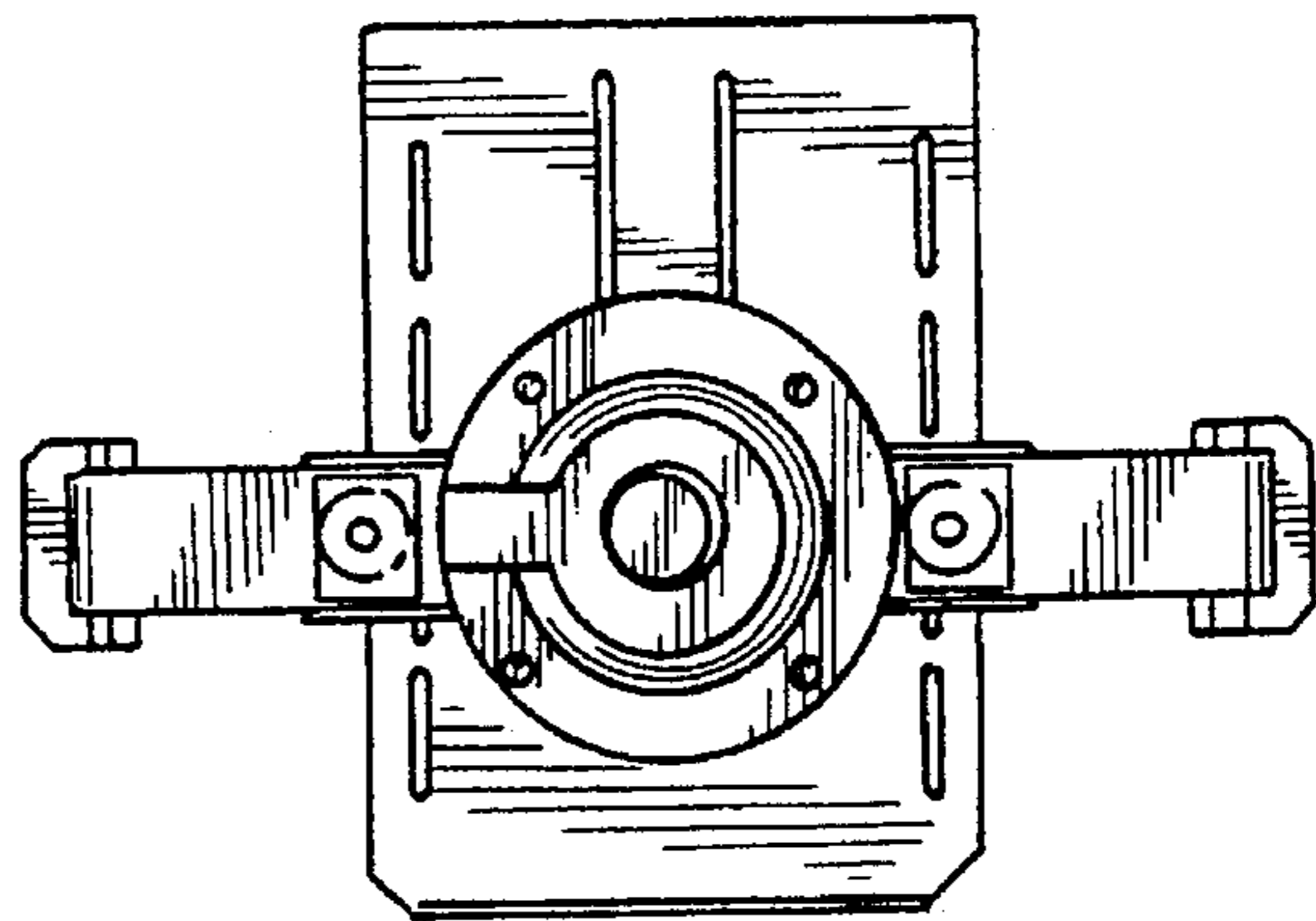


FIG. 6

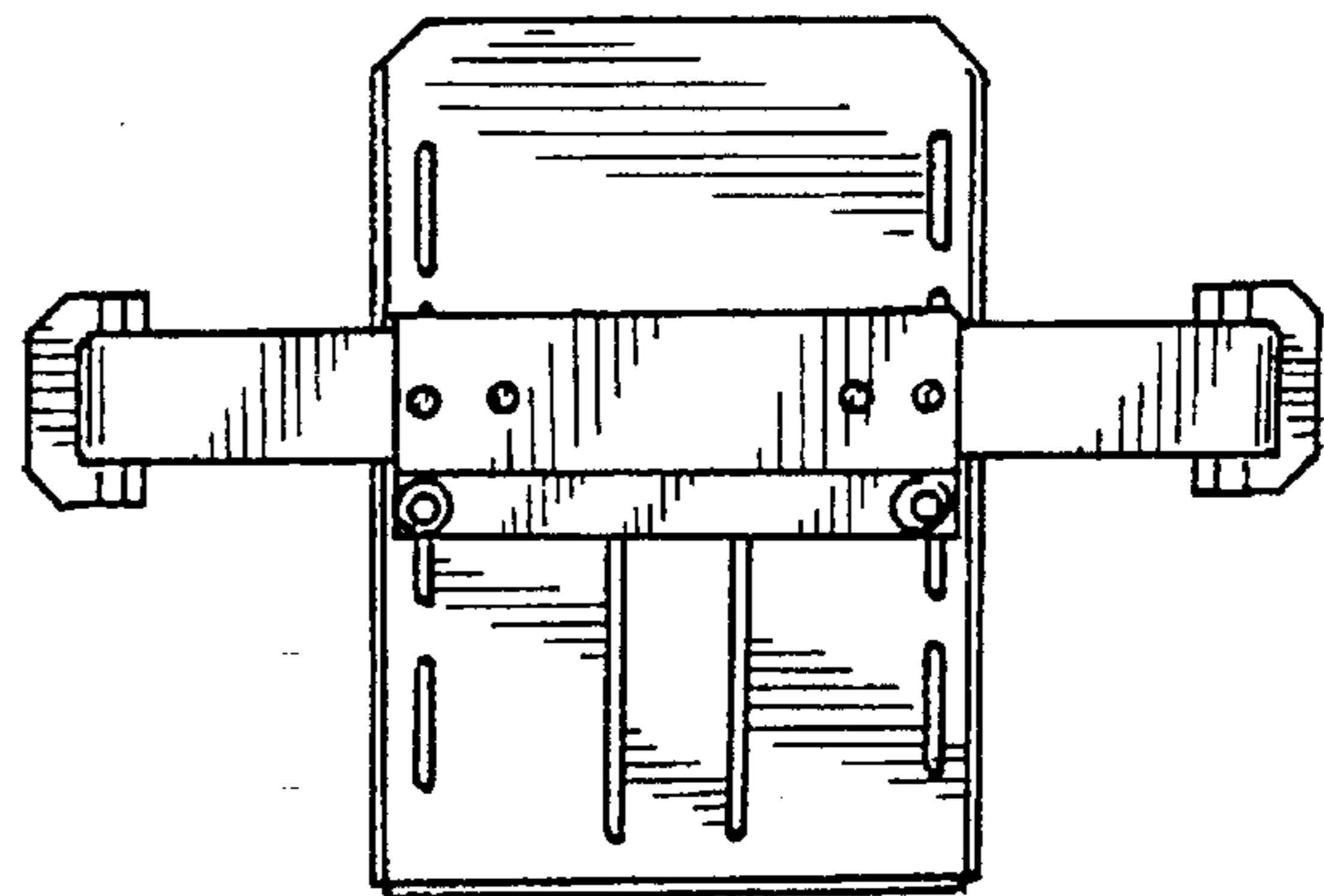


FIG. 7