



US00D377893S

United States Patent [19] Lui

[11] Patent Number: **Des. 377,893**

[45] Date of Patent: ****Feb. 11, 1997**

[54] **ELECTRIC DRILL**

[75] Inventor: **Tat N. Lui**, Aberdeen, Hong Kong

[73] Assignee: **Choon Nang Electrical Appliance Mfty., Ltd.**, Hong Kong

[**] Term: **14 Years**

[21] Appl. No.: **43,525**

[22] Filed: **Sep. 6, 1995**

[30] **Foreign Application Priority Data**

Mar. 8, 1995 [GB] United Kingdom 2045937

[52] U.S. Cl. **D8/68**

[58] Field of Search D8/61, 62, 68;
81/54, 57.11, 57.13, 57.14, 177.4; 173/170;
239/525, 526, 527, 528, 589; 408/124,
125

[56] **References Cited**

U.S. PATENT DOCUMENTS

D. 323,606 2/1992 Chang D8/68
D. 329,580 9/1992 Sasaki et al. D8/68

OTHER PUBLICATIONS

Skill Drill/Driver Model HD2645-04, *Skill HD Heavy Duty Power Tools & Accessories Catalog*, p. 61.
DeWalt Cordless Drill/Driver Model DW964K-2, *DeWalt 1995 Power Tools & Accessories Catalog*, p. 8.

Black & Decker Heavy-Duty Cordless Hammerdrill Model 2898K, *Black & Decker Power Tools & Accessories for Industry & Construction Catalog*, ©1994, p. 20.

Primary Examiner—James M. Gandy
Assistant Examiner—Robert M. Spear
Attorney, Agent, or Firm—Gunn, Lee & Miller, P.C.

[57] **CLAIM**

The ornamental design for an electric drill, as shown and described.

DESCRIPTION

FIG. 1 is a top, front end and right side perspective view of an electric drill showing my new design;

FIG. 2 is a right side elevational view thereof;

FIG. 3 is a top plan view thereof;

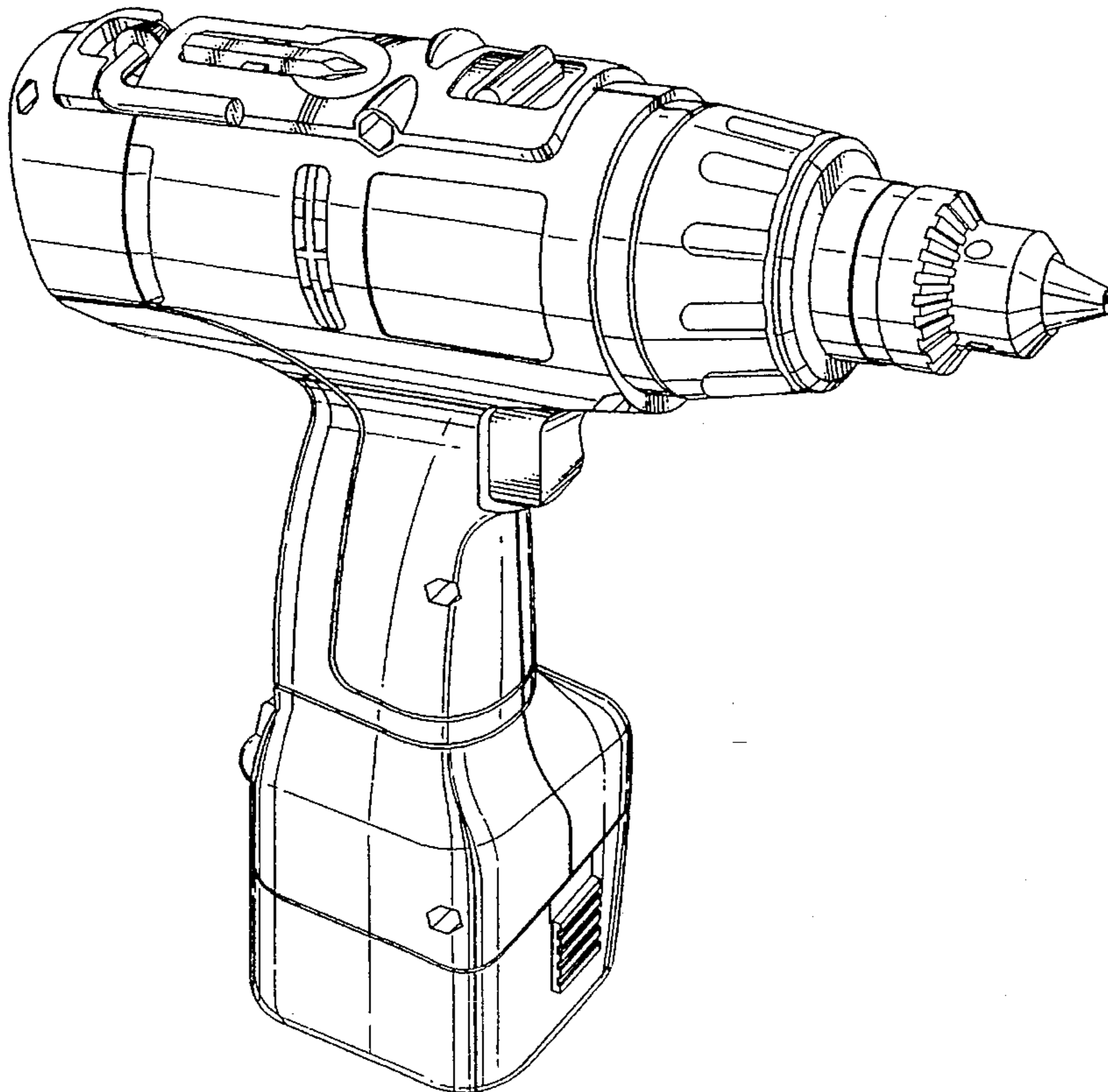
FIG. 4 is a left side elevational view thereof;

FIG. 5 is a bottom plan view thereof;

FIG. 6 is a front end elevational view thereof; and,

FIG. 7 is a rear end elevational view thereof.

1 Claim, 4 Drawing Sheets



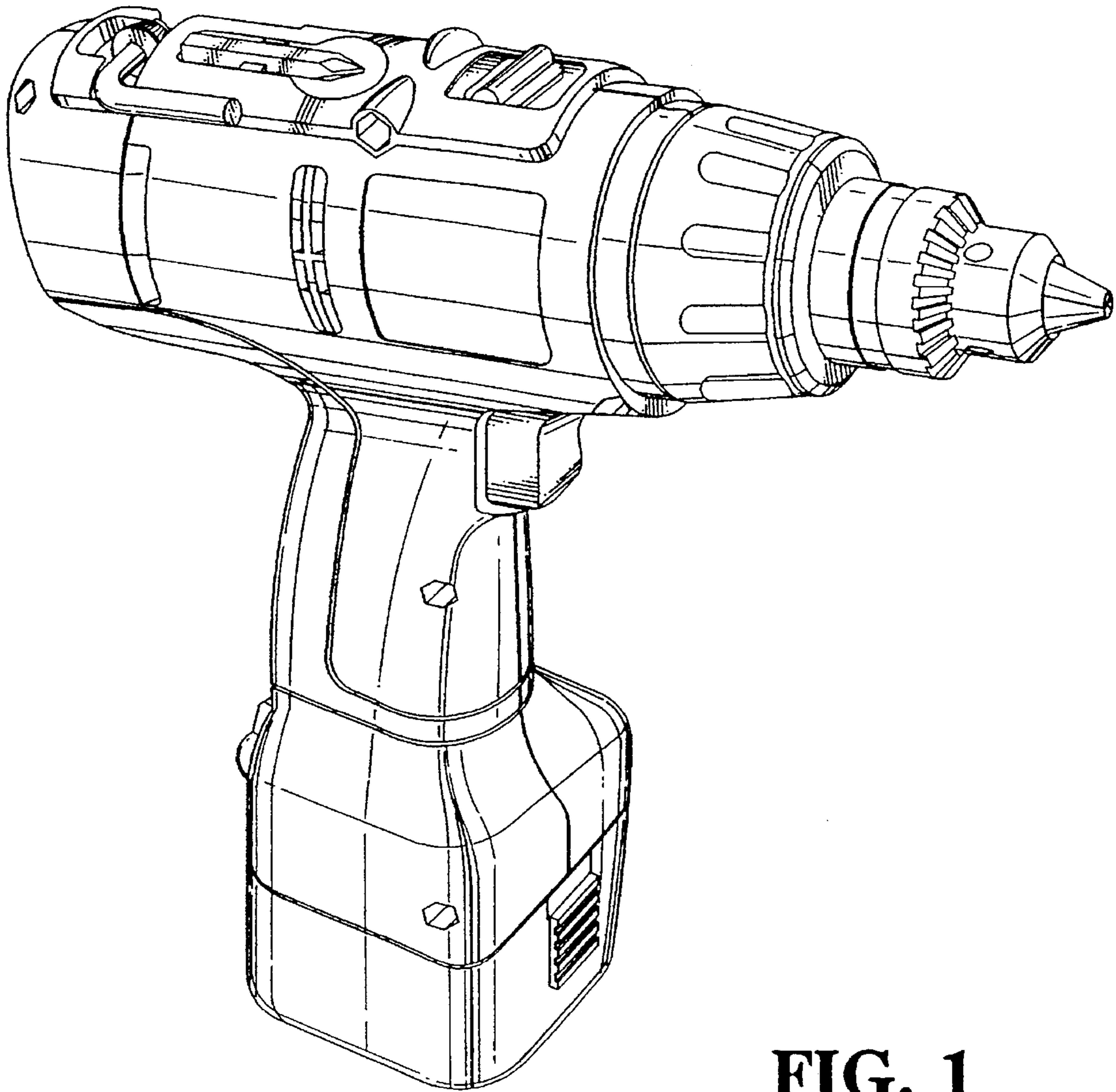


FIG. 1

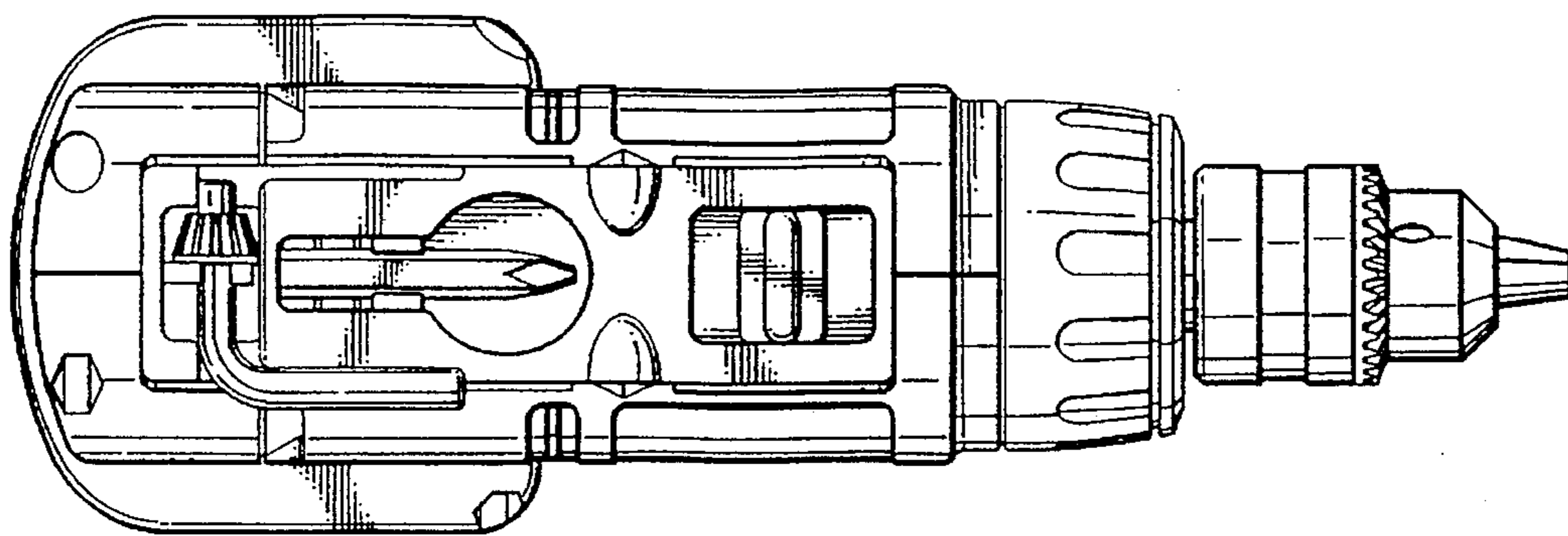


FIG. 3

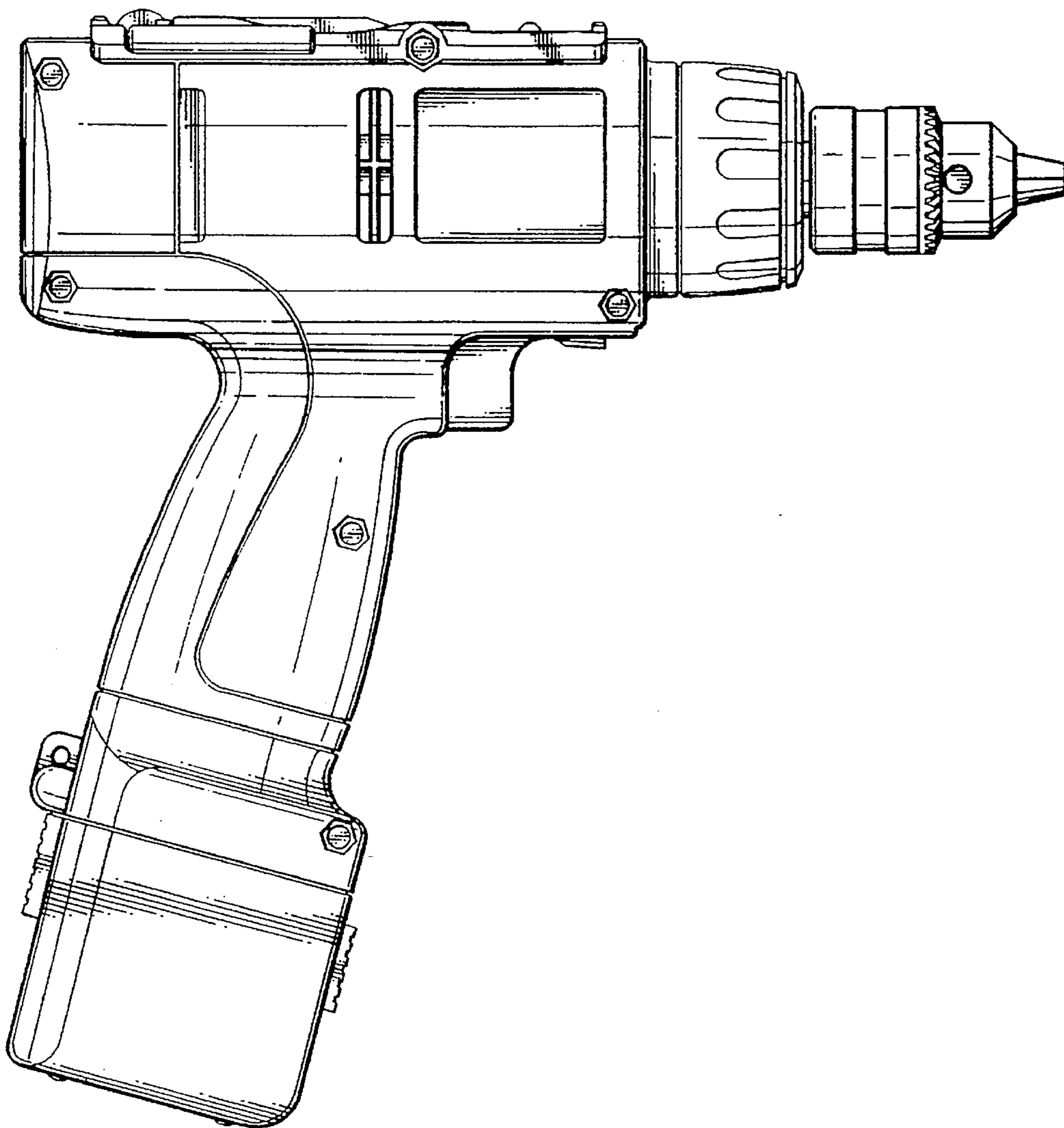


FIG. 2

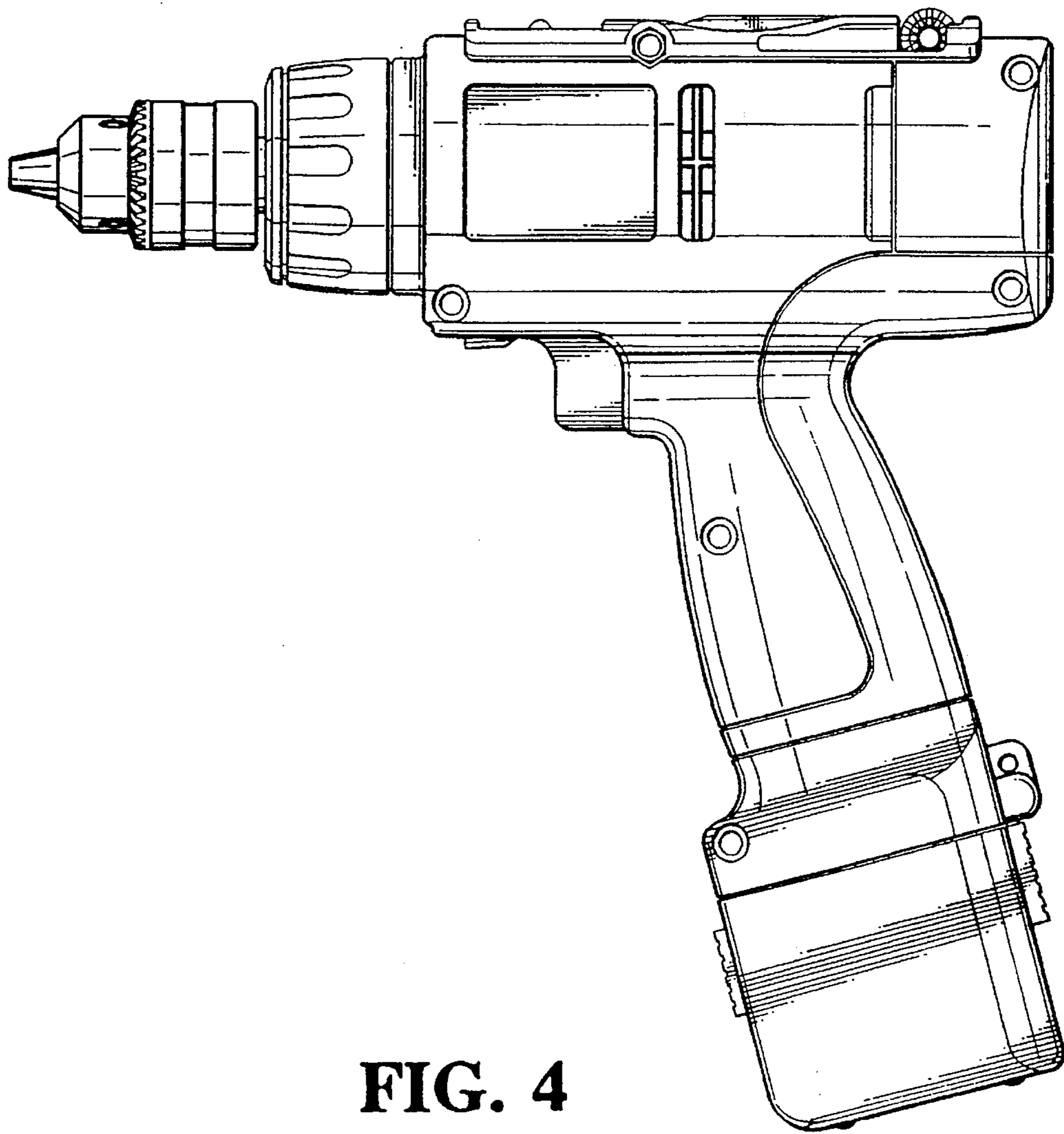


FIG. 4

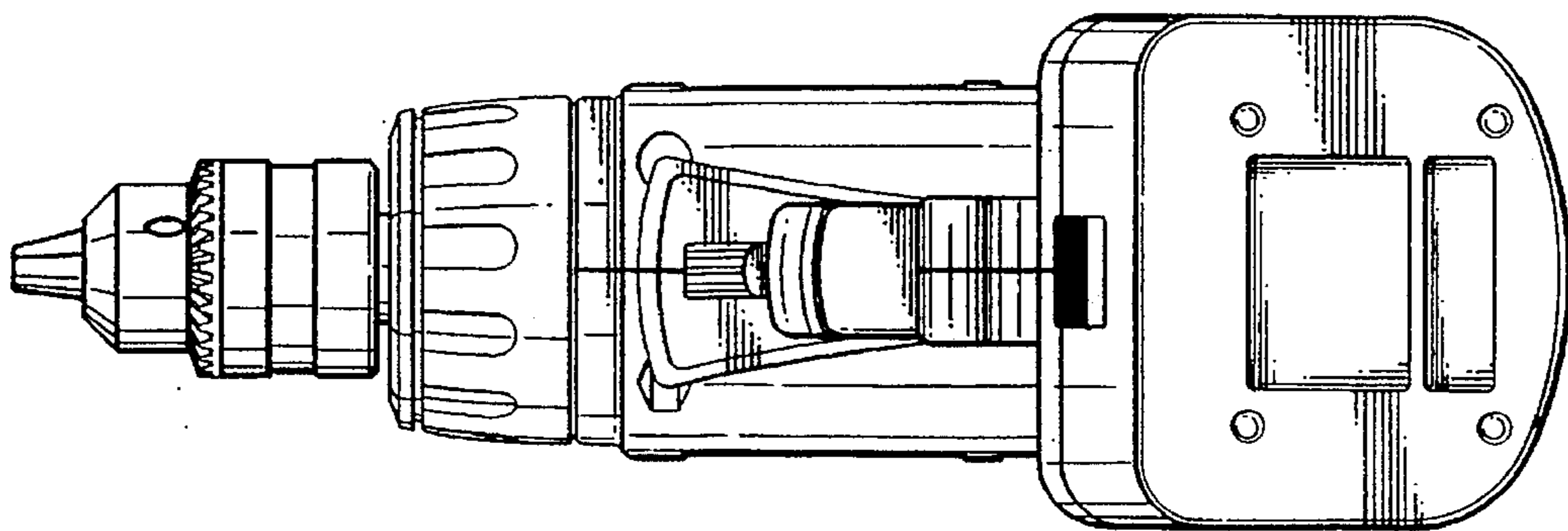


FIG. 5

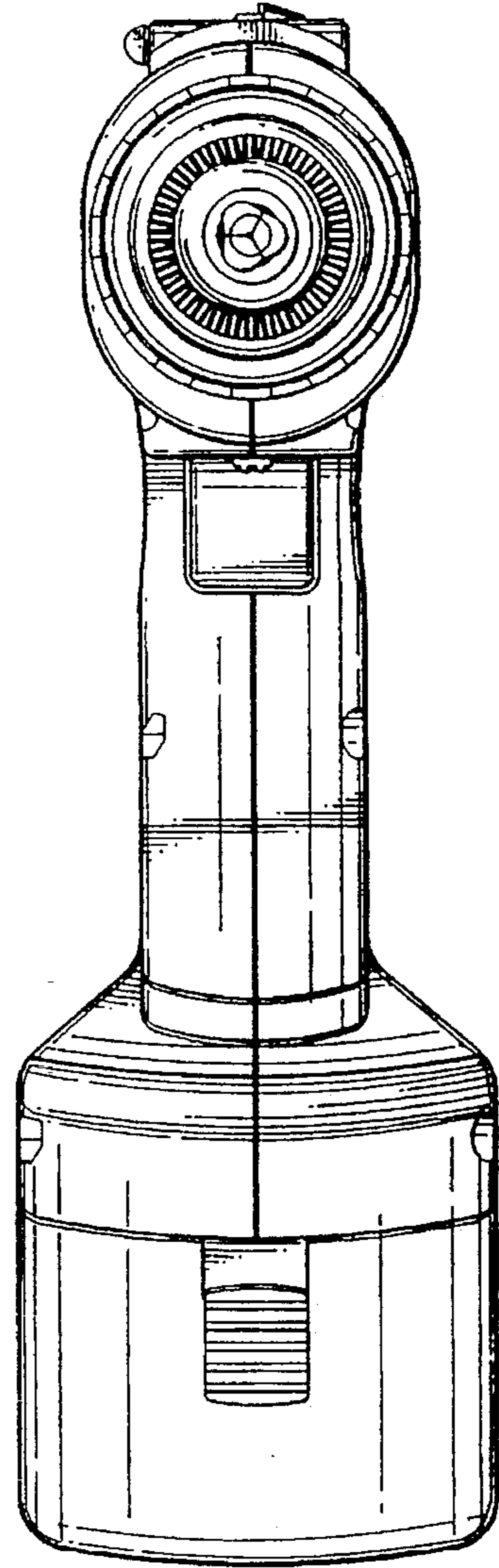


FIG. 6

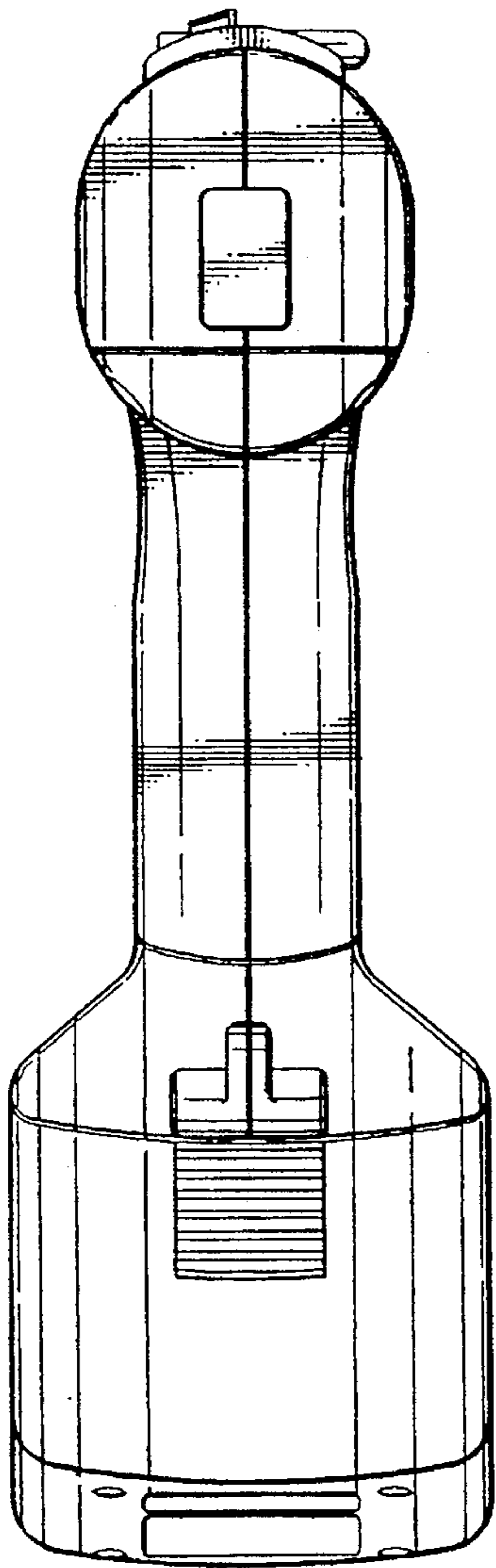


FIG. 7