



US00D377892S

# United States Patent [19]

[11] Patent Number: **Des. 377,892**

Sung

[45] Date of Patent: **\*\*Feb. 11, 1997**

[54] SANDER

4,622,782	11/1986	Roestenberg .....	451/456
4,686,797	8/1987	Hoffman .....	451/356
4,879,847	11/1989	Butzen et al. ....	451/344

[75] Inventor: **Eric Sung**, Ta-Li, Taiwan

[73] Assignee: **K.K.U. Limited**, Tokyo, Japan

[\*\*] Term: **14 Years**

[21] Appl. No.: **43,682**

[22] Filed: **Sep. 11, 1995**

[52] U.S. Cl. .... **D8/62**

[58] Field of Search ..... D8/61, 62, 68;  
D15/124; 81/54, 57.11, 57.13, 57.14; 173/170;  
408/124, 125; 451/344, 356, 357, 359,  
414, 456

### OTHER PUBLICATIONS

ASH High Speed Vertical Rotary Sander PXD-106, ASH Mail Order Catalog No. 32, ©1981.

Black & Decker® Random Orbit Sander No. 4415, Campbell Industrial Supply Co. General Catalog.

*Automotive Power Tools*, Ingersoll-Rand Catalog, 1992, p. 34.

*Automotive Air Tools*, Chicago Pneumatic Catalog, Mar. 1990, p. 36.

*Primary Examiner*—James M. Gandy

*Assistant Examiner*—Robert M. Spear

*Attorney, Agent, or Firm*—Greer, Burns & Crain, Ltd.

### [56] References Cited

#### U.S. PATENT DOCUMENTS

D. 256,881	9/1980	Hutchins .	
D. 260,847	9/1981	Biederman .....	D8/62
D. 324,800	3/1992	Butzen et al. .	
D. 332,559	1/1993	Miyoshi et al. .	
D. 344,878	3/1994	Izumisawa .	
D. 353,310	12/1994	Izumisawa .	
D. 353,311	12/1994	Izumisawa .	
D. 357,163	4/1995	Izumisawa .	
3,287,859	11/1966	Leveque .....	451/359
3,546,822	12/1970	Hutchins .....	451/344
3,857,206	12/1974	Heffran .	
4,102,083	7/1978	Stern .....	451/344

### [57] CLAIM

The ornamental design for a sander, as shown and described.

### DESCRIPTION

FIG. 1 is a left-side view of the sander showing my new design;

FIG. 2 is a top view thereof;

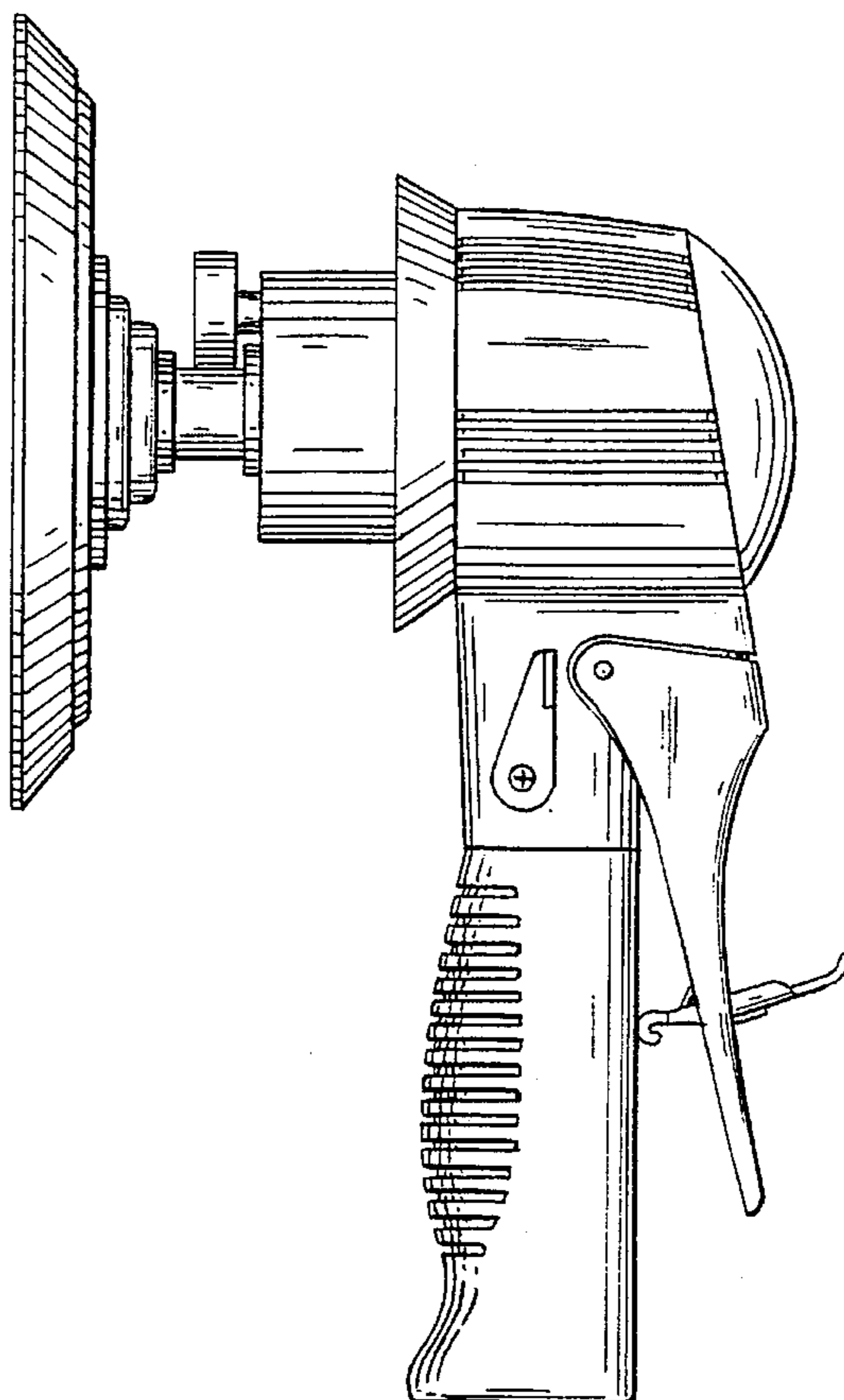
FIG. 3 is a right side view thereof;

FIG. 4 is a bottom view thereof;

FIG. 5 is a front view thereof; and,

FIG. 6 is a rear view thereof.

**1 Claim, 3 Drawing Sheets**



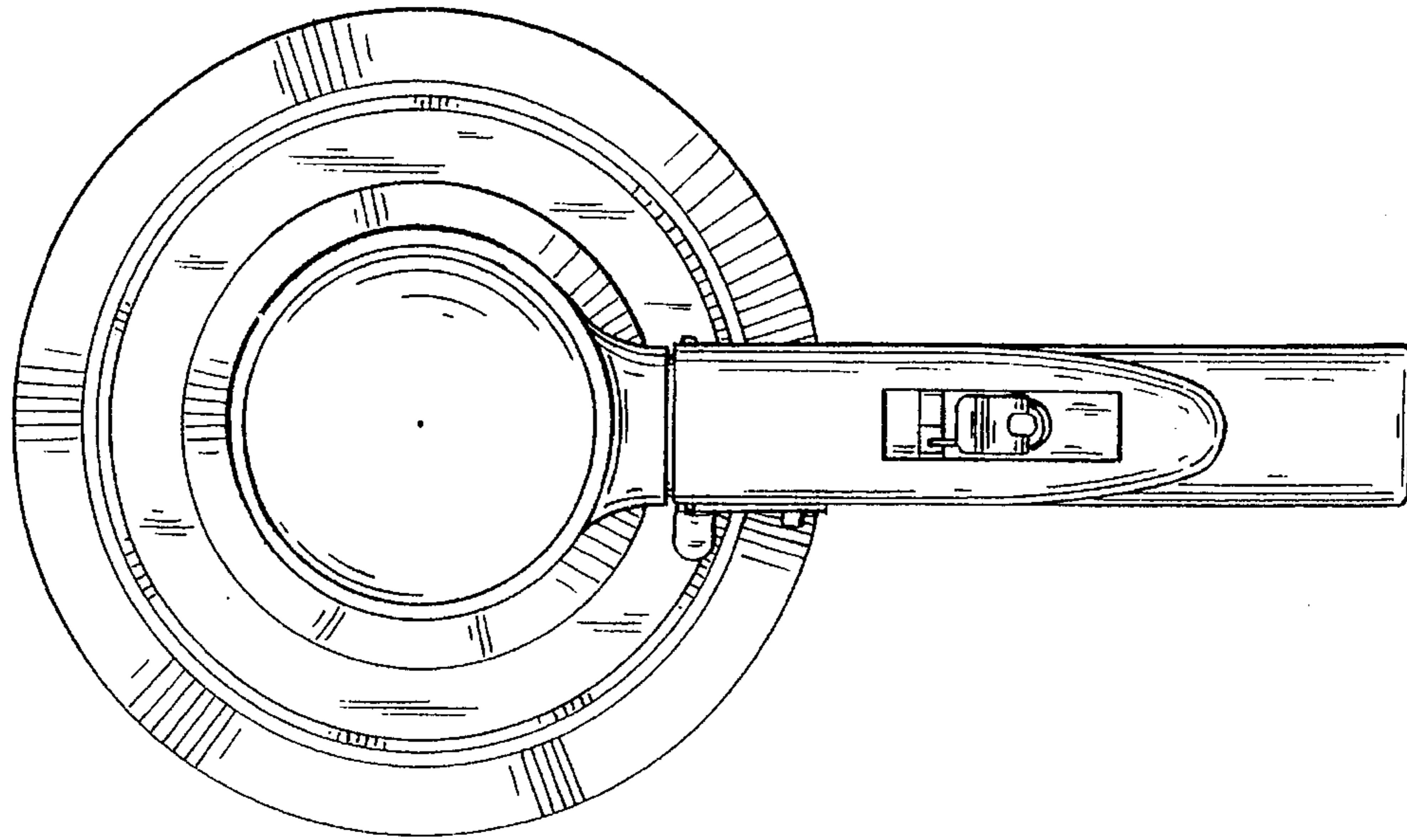


FIG. 2

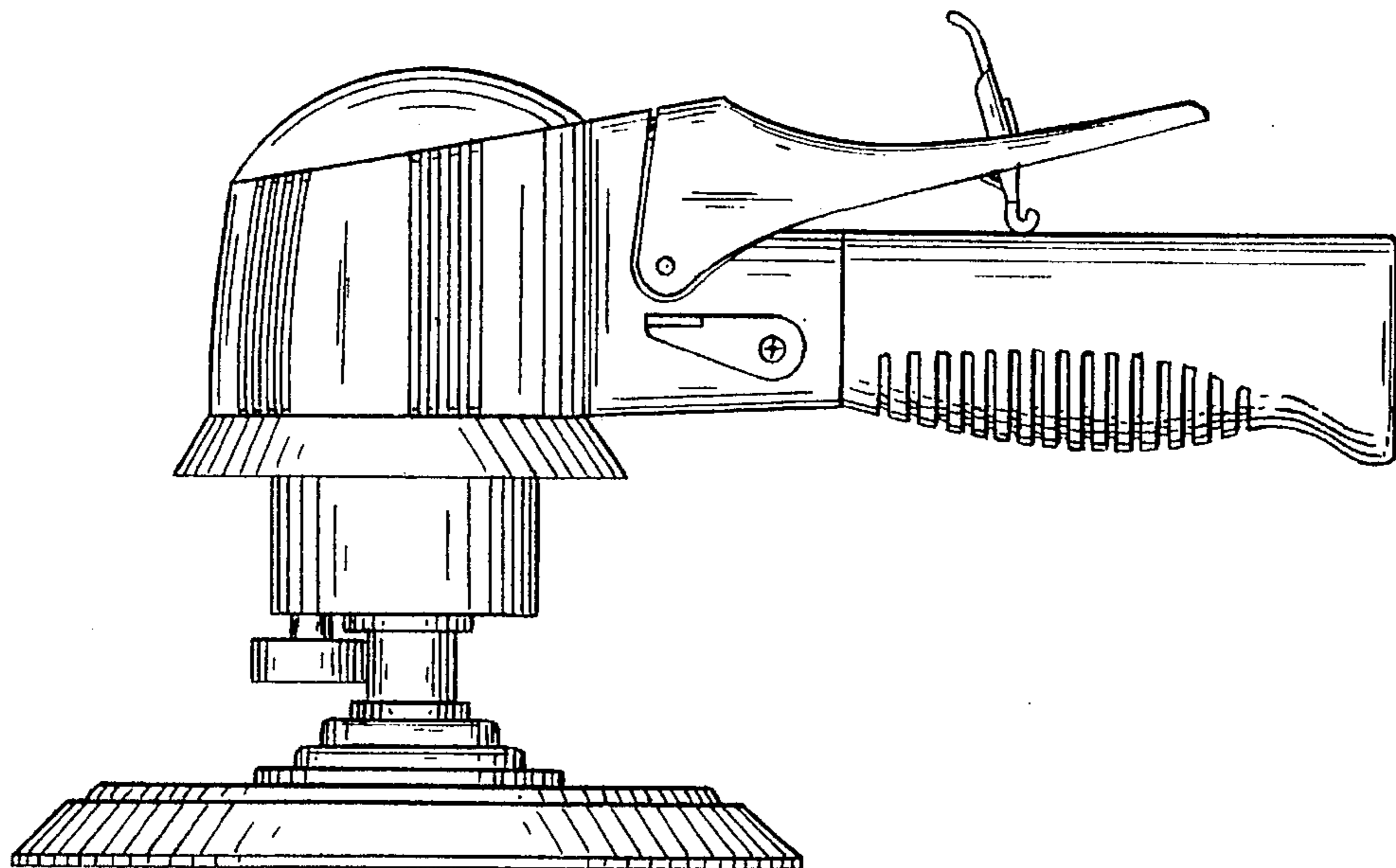


FIG. 1

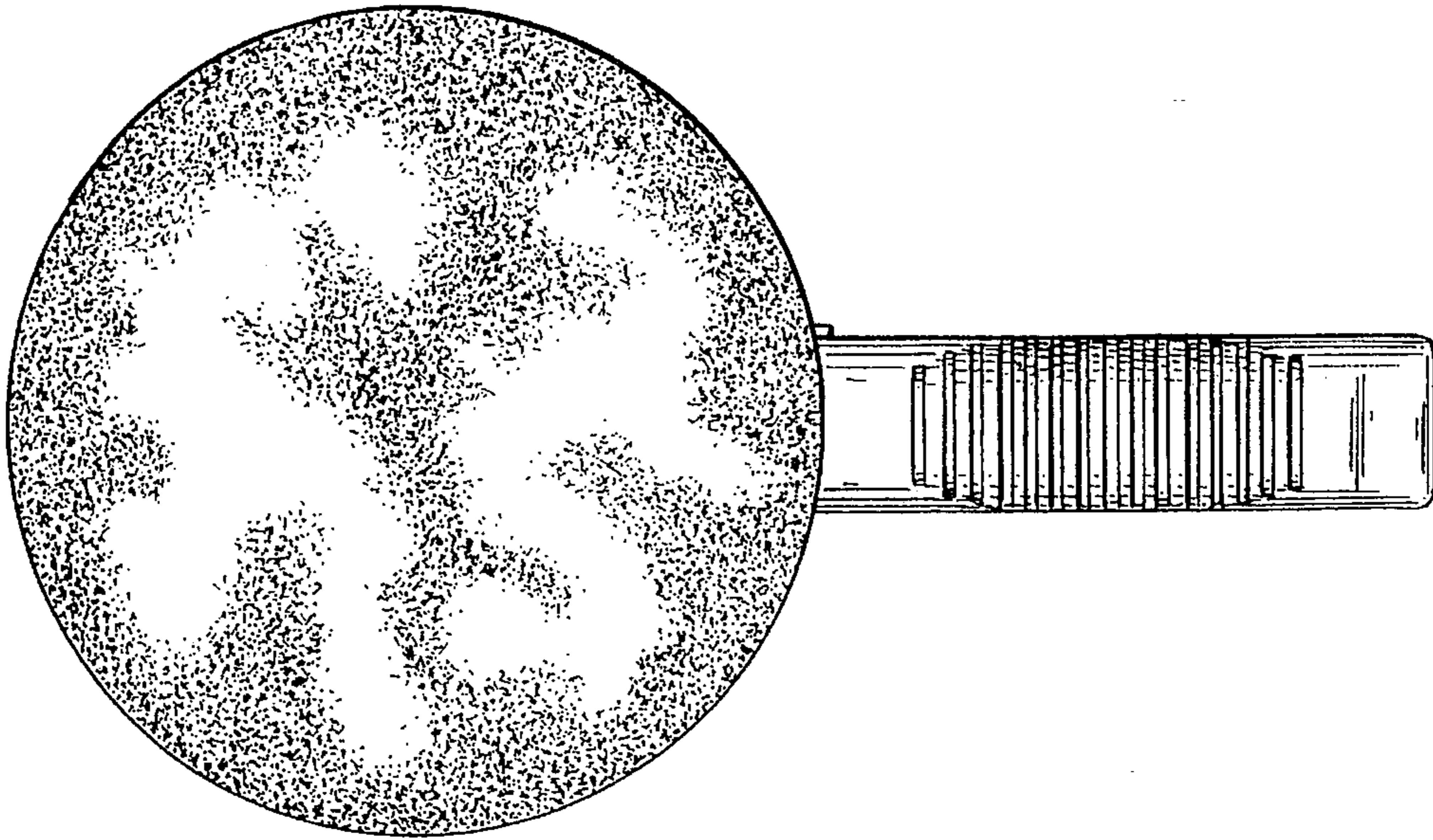


FIG. 4

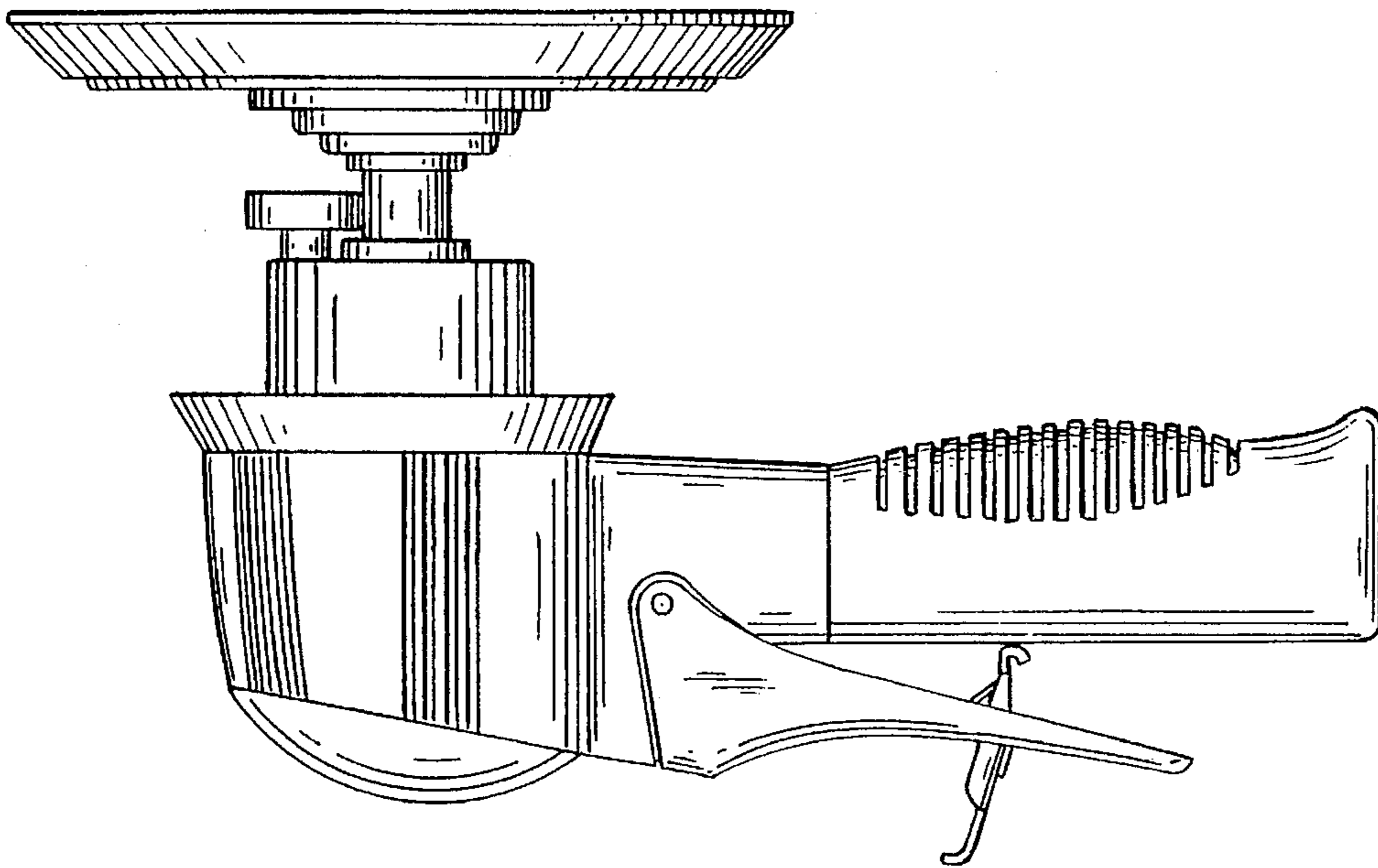


FIG. 3



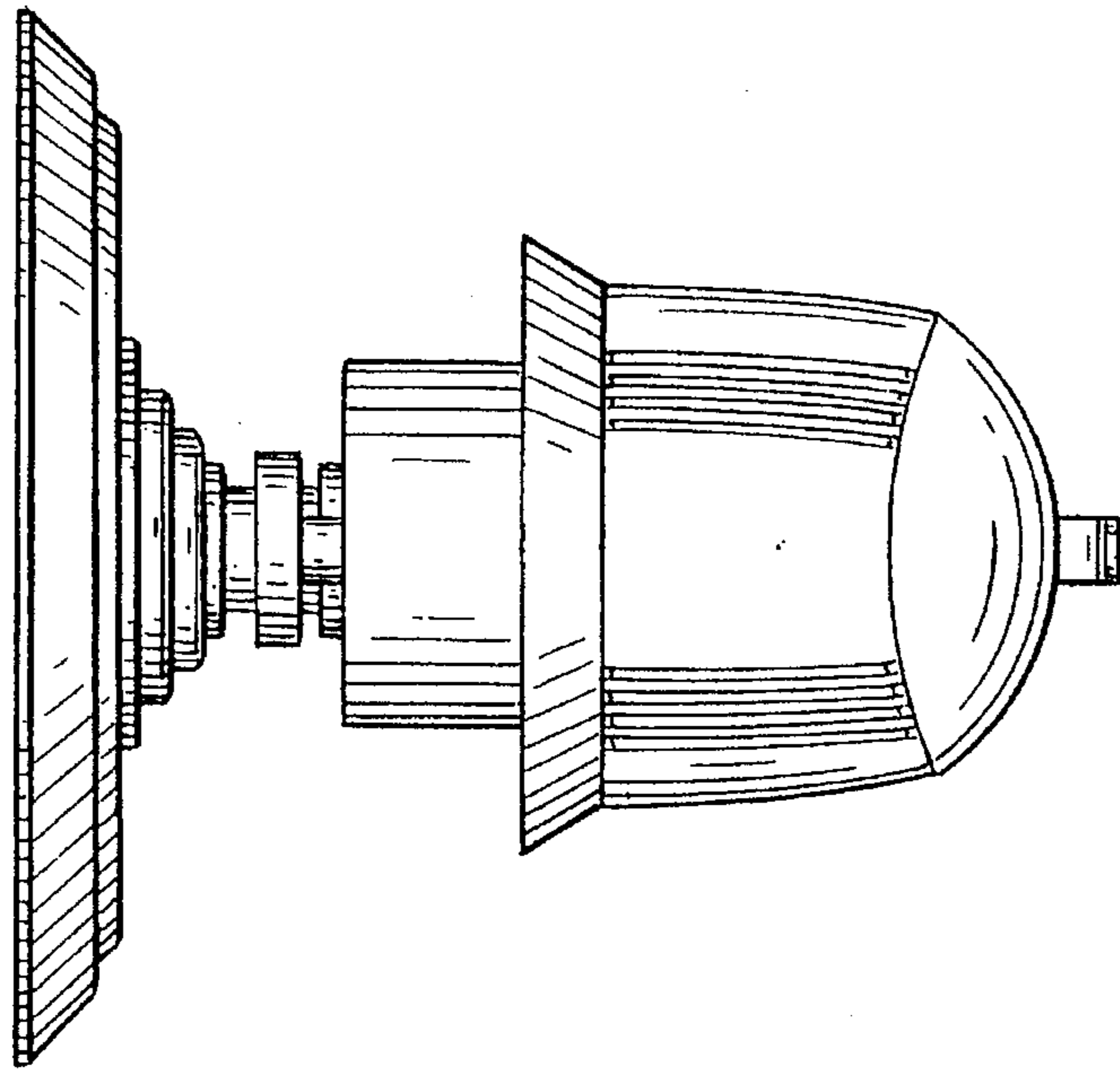


FIG. 5

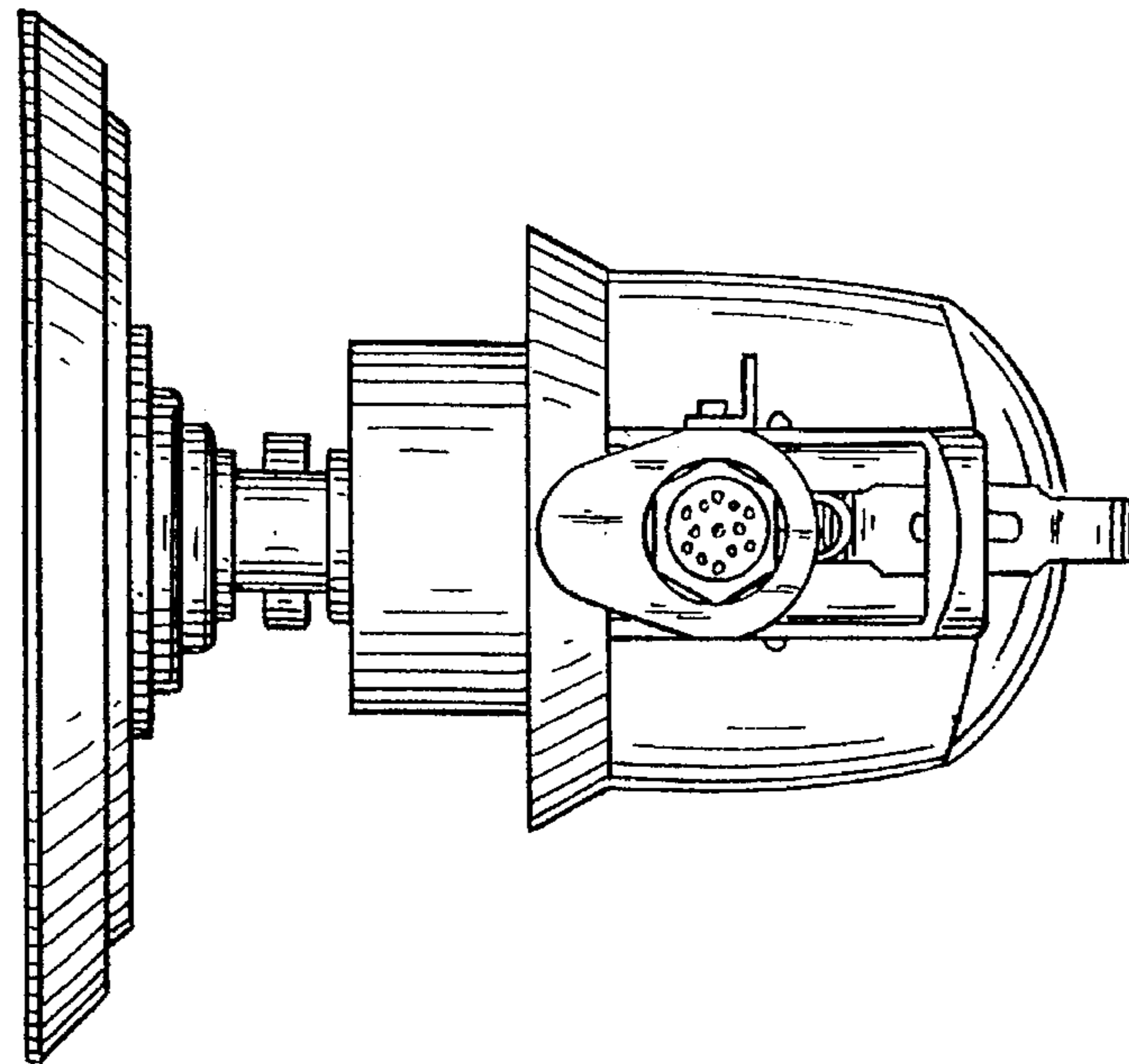


FIG. 6