



US00D377891S

United States Patent [19]

Bencich

[11] **Patent Number: Des. 377,891**

[45] **Date of Patent: **Feb. 11, 1997**

[54] CAULKING GUN NOZZLE

[76] Inventor: **David Bencich**, 26 Arthur Phillip Way,
Mill Park Victoria, 3082, Australia

[**] Term: **14 Years**

[21] Appl. No.: **31,704**

[22] Filed: **Dec. 2, 1994**

[52] U.S. Cl. **D8/14.1; D9/447**

[58] Field of Search **D7/590; D8/14.1;**
D9/302, 447, 523; 215/211, 228, 306; 222/536,
568

[56] References Cited

U.S. PATENT DOCUMENTS

D. 260,614	9/1981	Petersson	D9/447
D. 283,800	5/1986	Beerens	D9/447
D. 288,061	2/1987	Bek et al.	D9/302
D. 326,818	6/1992	Maguire et al.	D9/447
D. 331,874	12/1992	Schmidt	D9/503
D. 343,791	2/1994	Pitaknarongphorn	D9/447
4,198,756	4/1980	Dragan	D8/14.1
4,452,381	6/1984	Freeman	222/566

OTHER PUBLICATIONS

Gott Can-tainers Flyer, Mar. 1987.
Side-Action Funnel, Model D-2409.1, Brookstone Tool
Catalog #124B, Fall 1976, Sep. 1976.

Primary Examiner—B. J. Bullock
Assistant Examiner—Robert M. Spear
Attorney, Agent, or Firm—Edwin D. Schindler

[57] CLAIM

The ornamental design for a caulking gun nozzle, as shown
and described.

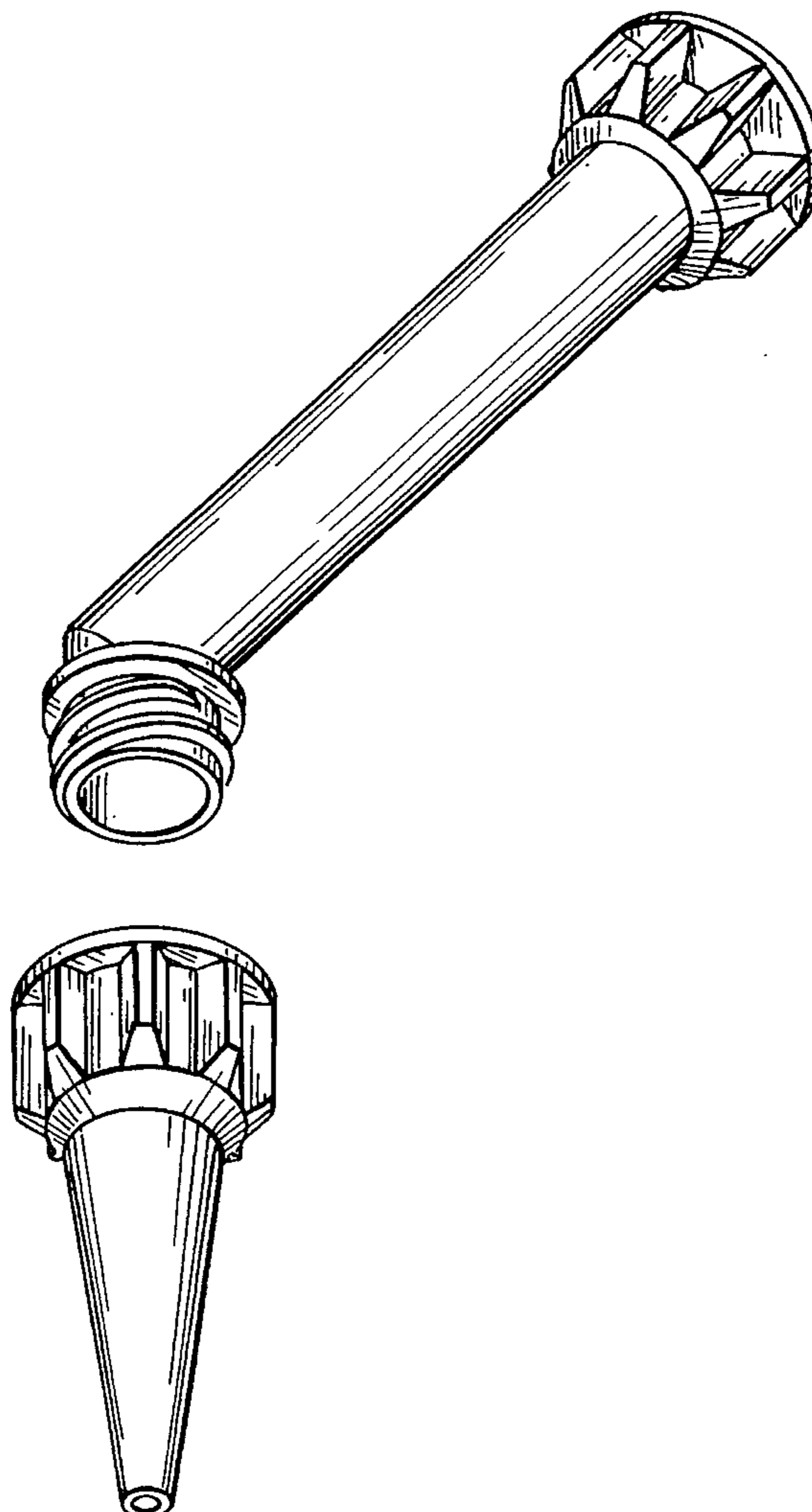
DESCRIPTION

FIG. 1 is a left side elevational view of a caulking gun
nozzle;

FIG. 2 is a top left front perspective view of the nozzle of
FIG. 1, with the parts separated for ease of disclosure;

FIG. 3 is a top plan view of the nozzle of FIGS. 1 and 2; and,
FIG. 4 is a rear elevational view of the caulking gun nozzle
of FIG. 1.

1 Claim, 2 Drawing Sheets



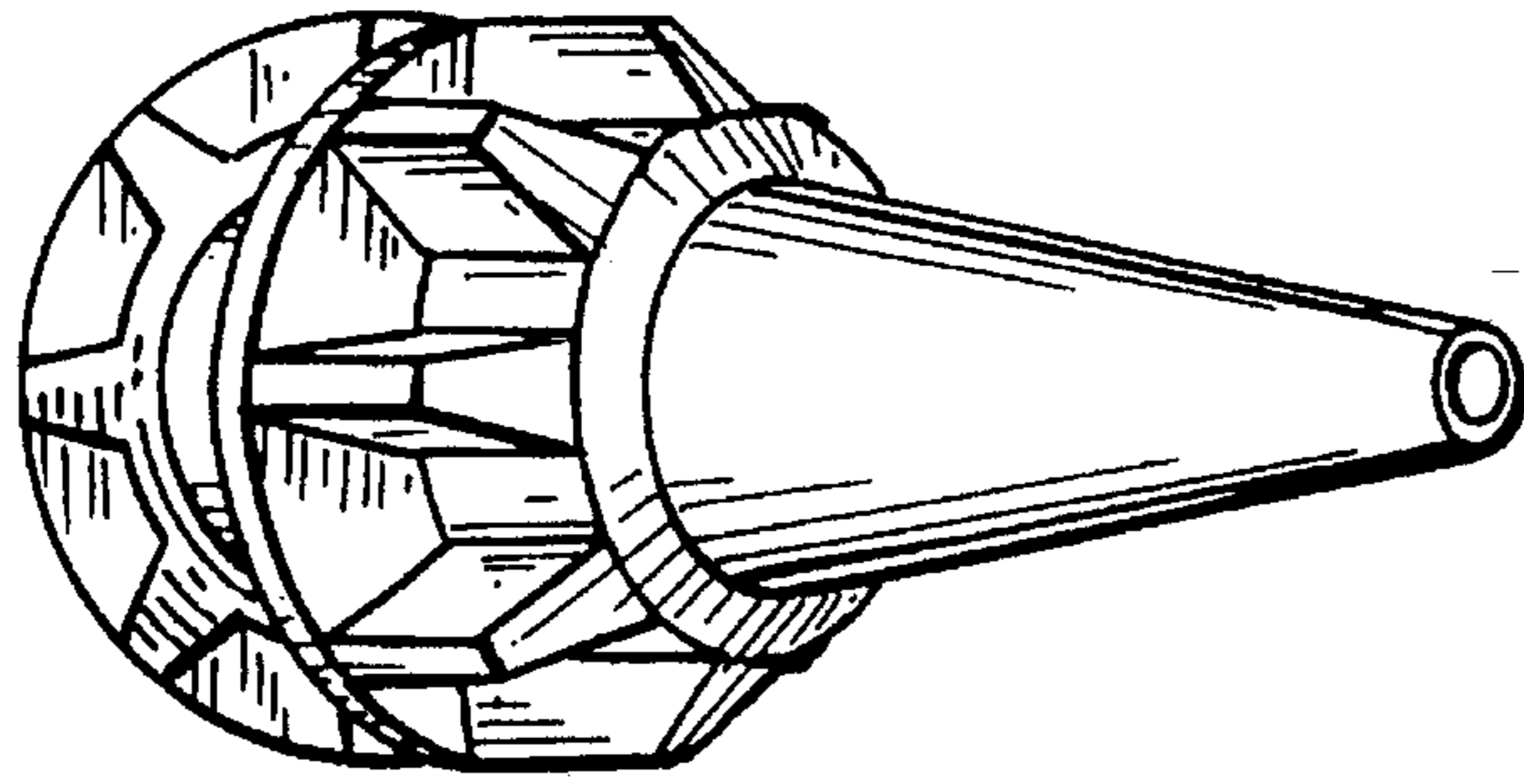


FIG. 3.

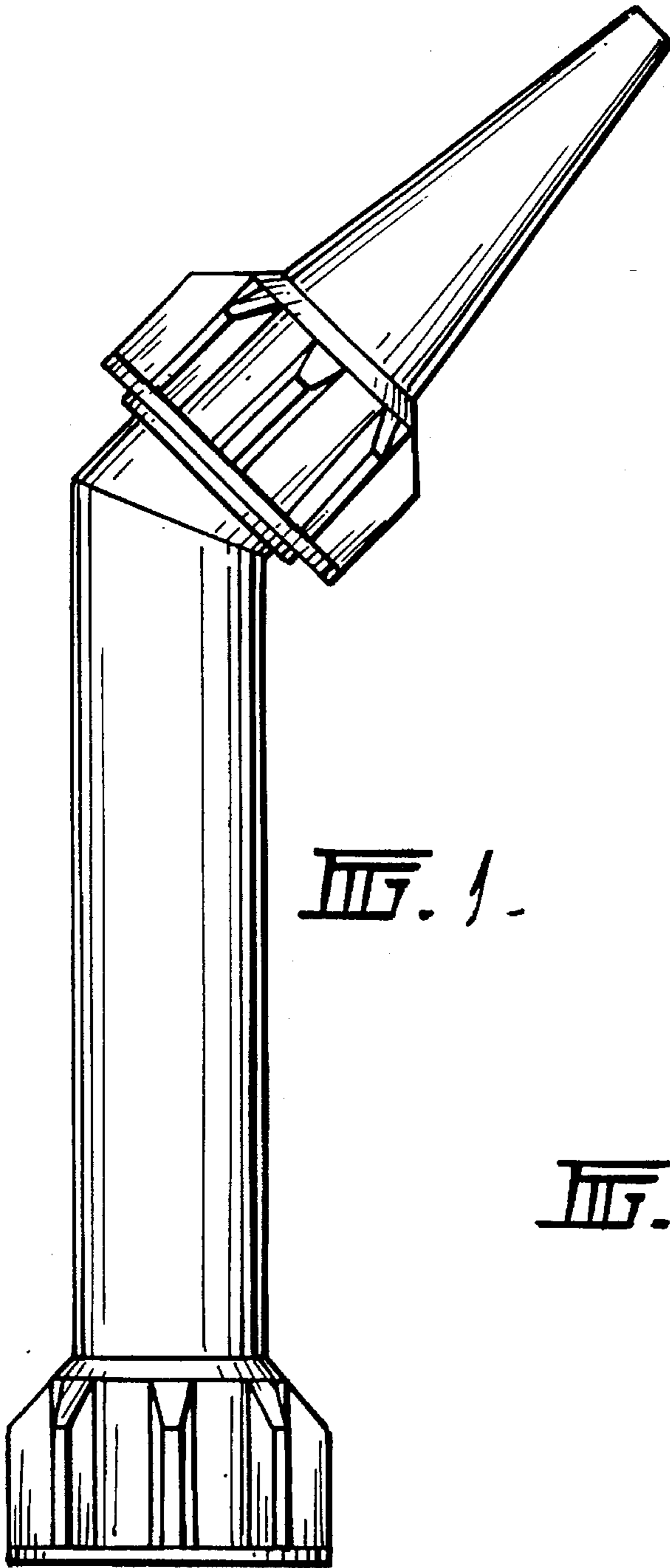


FIG. 1.

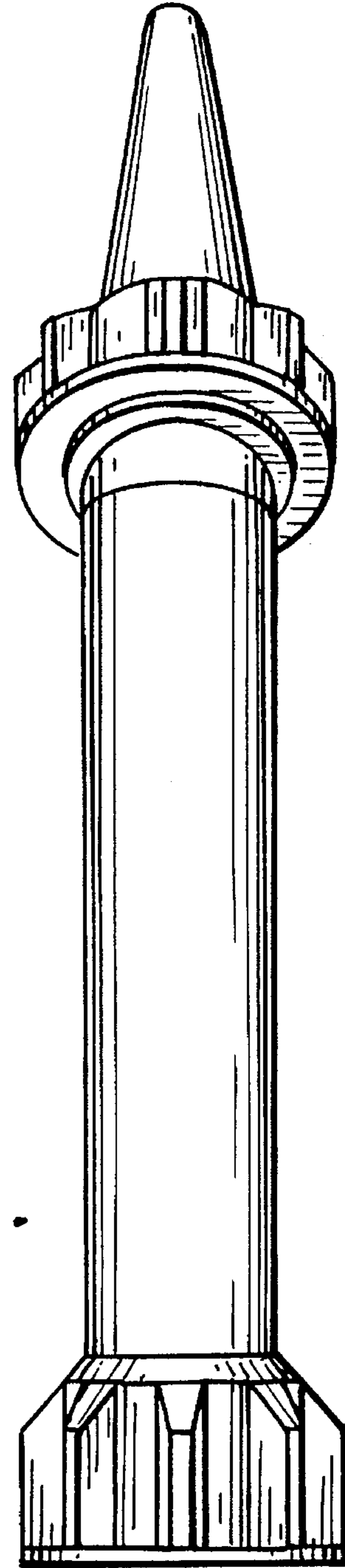


FIG. 4.

