



US00D377886S

United States Patent [19] Colton

[11] **Patent Number: Des. 377,886**

[45] **Date of Patent: **Feb. 11, 1997**

[54] **BEVERAGE CONTAINER HOLDER**

[75] **Inventor: Raymond Colton, Tonica, Ill.**

[73] **Assignee: RACO USA Incorporated, Tonica, Ill.**

[**] **Term: 14 Years**

[21] **Appl. No.: 49,697**

[22] **Filed: Jan. 29, 1996**

Related U.S. Application Data

[63] Continuation-in-part of Ser. No. 34,056, Jan. 26, 1995, Pat. No. Des. 369,526.

[30] Foreign Application Priority Data

Aug. 12, 1994 [CA] Canada 1994 1580

[52] **U.S. Cl.** **D7/620**

[58] **Field of Search** D7/619, 620; 211/71, 211/74, 75; 220/737, 739; 215/393; 248/346.11, 309.1, 311.2, 313; 62/457.1-457.4

[56] References Cited

U.S. PATENT DOCUMENTS

D. 266,834 11/1982 Sinkhorn et al. D7/620 X
D. 319,951 9/1991 Frankel D7/620
D. 369,526 5/1996 Colton D7/620

2,912,205 11/1959 Toune 248/311.2 X
5,022,235 6/1991 Grissom 62/457.4
5,088,673 2/1992 Chandler D7/619 X

Primary Examiner—Terry A. Wallace
Attorney, Agent, or Firm—Breiner & Breiner

[57] CLAIM

The ornamental design for a beverage container holder, as shown and described.

DESCRIPTION

FIG. 1 is a front elevation view of a beverage container holder showing my new design;
FIG. 2 is a rear elevation view thereof;
FIG. 3 is a left side elevation view thereof;
FIG. 4 is a right side elevation view thereof;
FIG. 5 is a top plan view thereof;
FIG. 6 is a bottom plan view thereof;
FIG. 7 is a front elevation view of an alternate embodiment of FIG. 1;
FIG. 8 is a rear elevation view of FIG. 7;
FIG. 9 is a left side elevation view of FIG. 7;
FIG. 10 is a right side elevation view of FIG. 7;
FIG. 11 is a top plan view of FIG. 7; and,
FIG. 12 is a bottom plan view of FIG. 7.

1 Claim, 2 Drawing Sheets

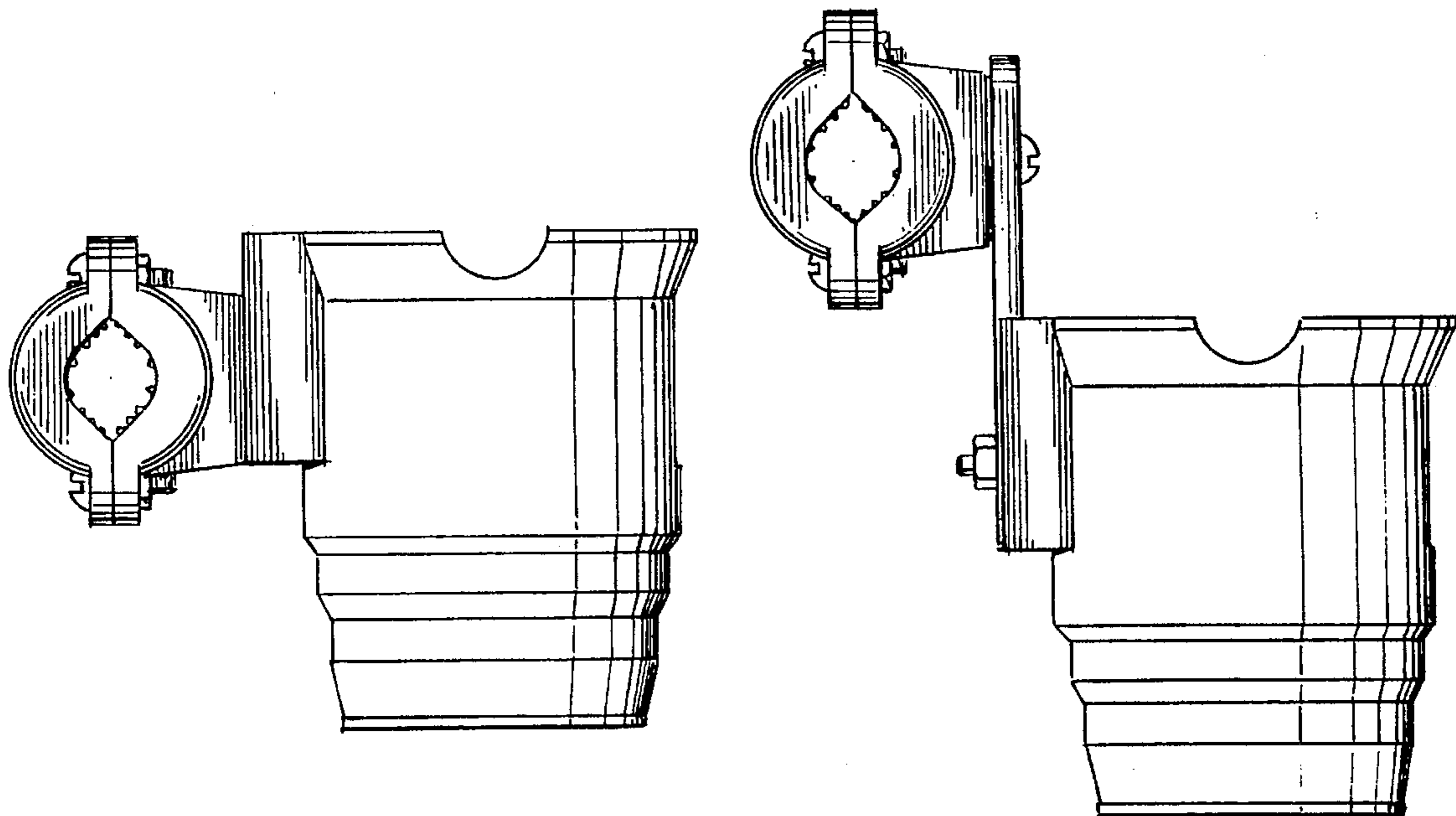


FIG. 1

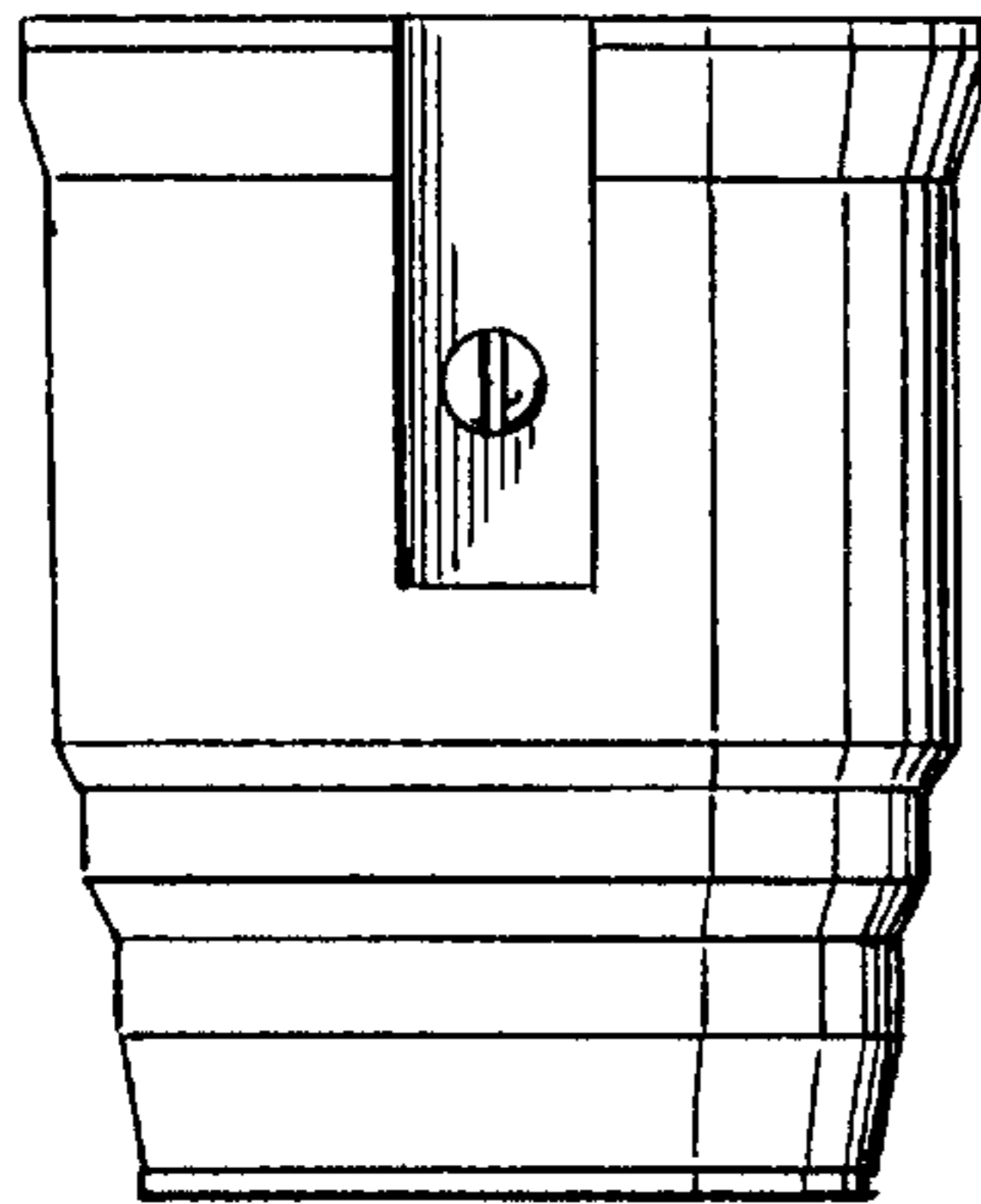


FIG. 2

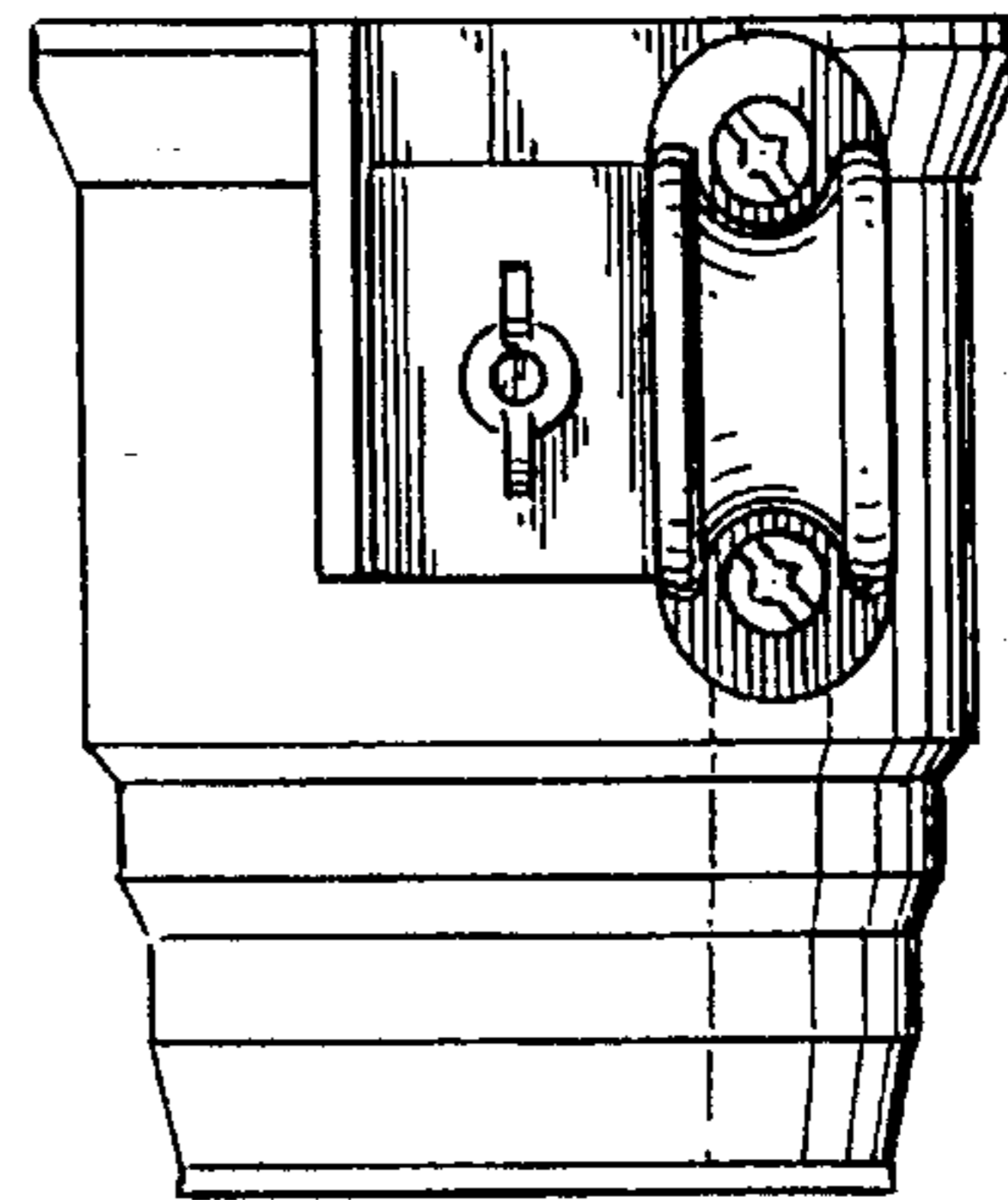


FIG. 3

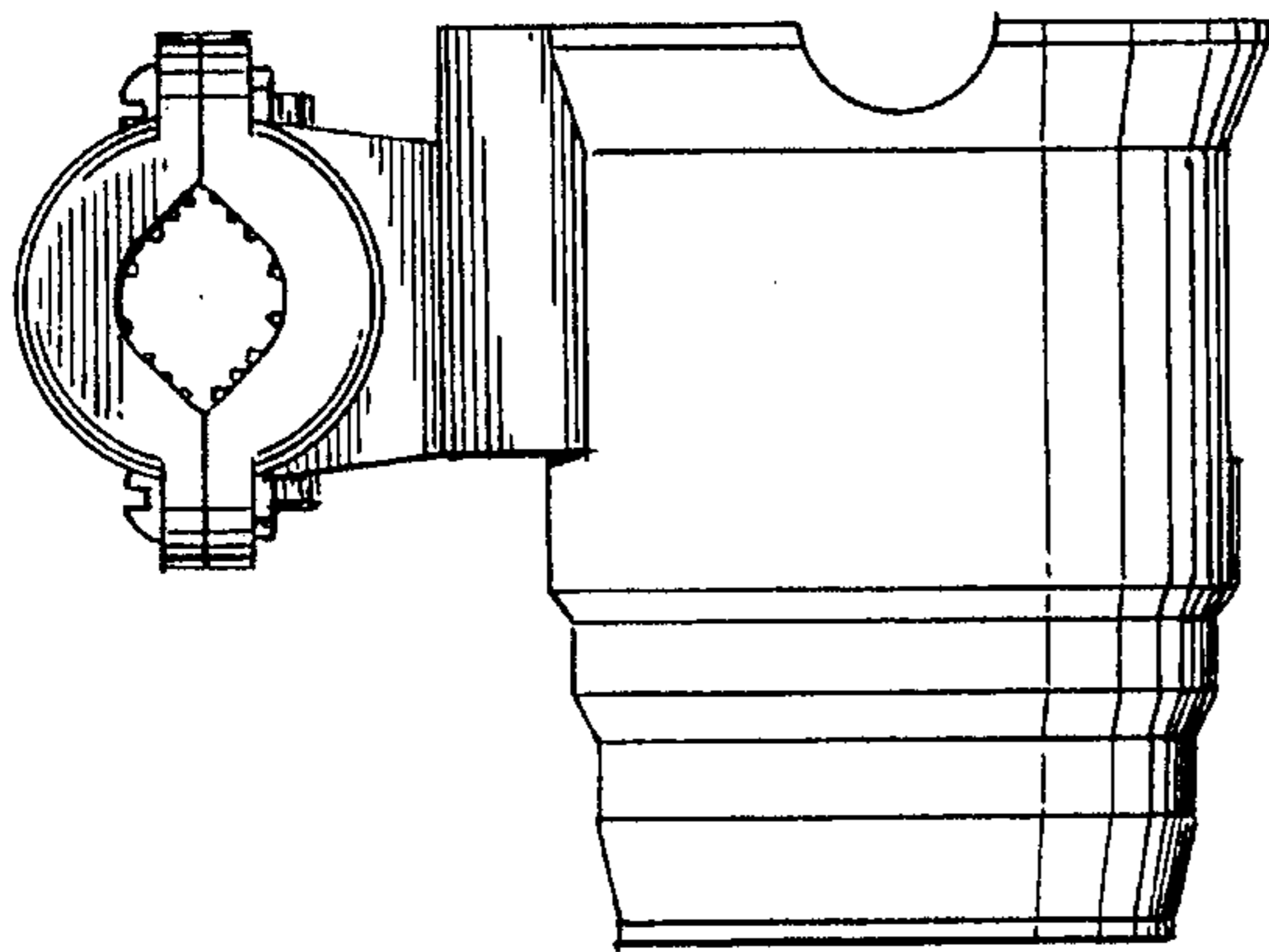


FIG. 4

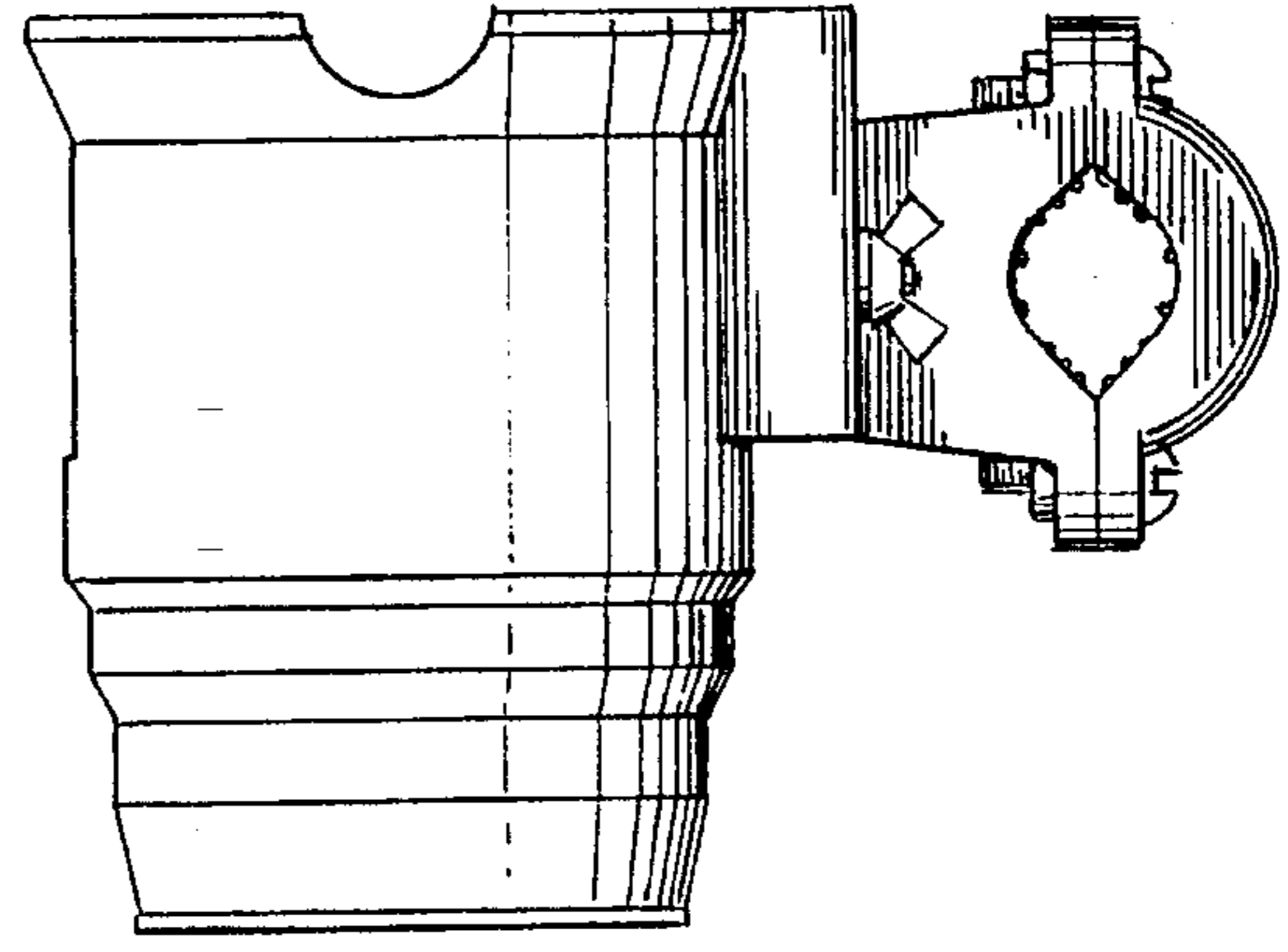


FIG. 5

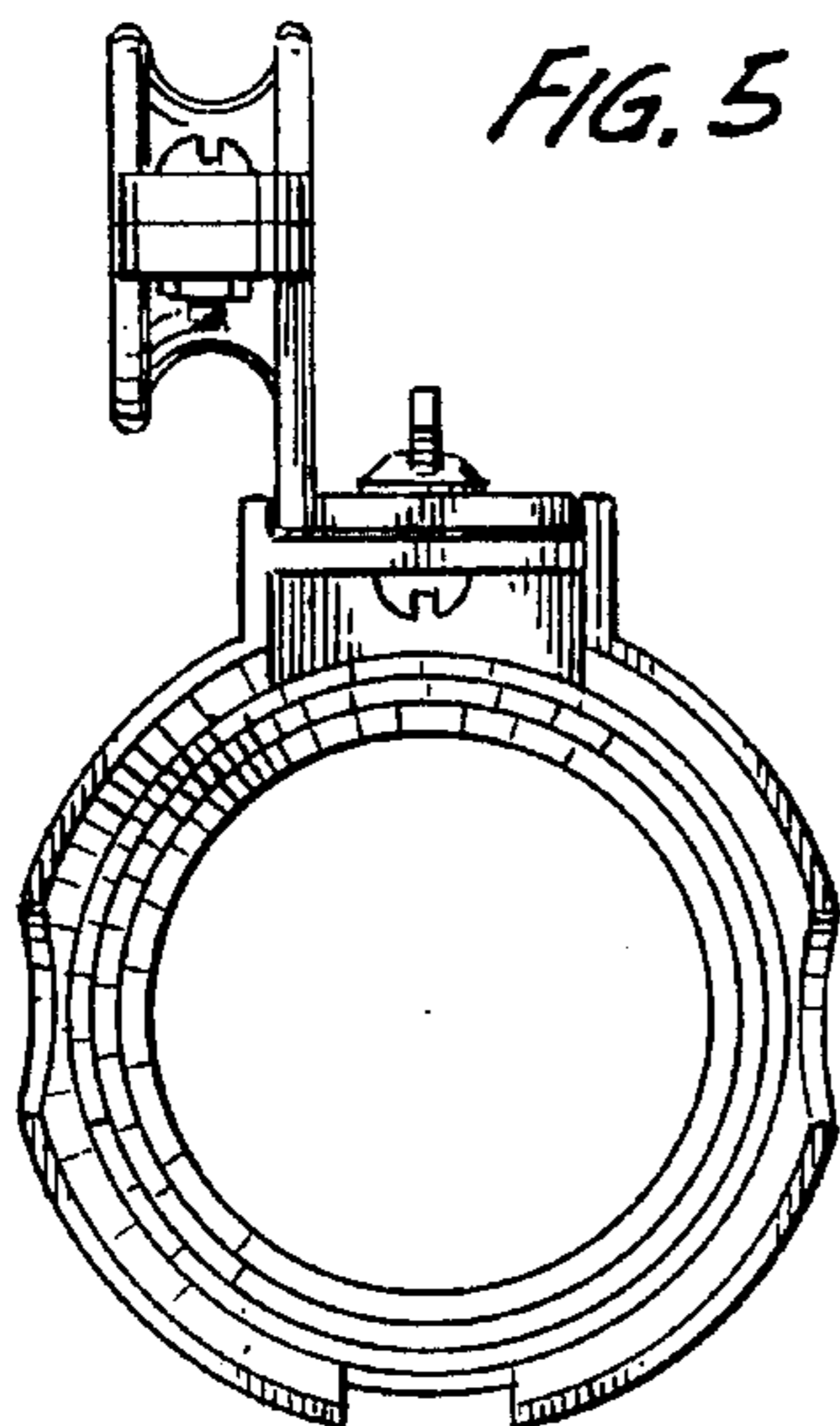


FIG. 6

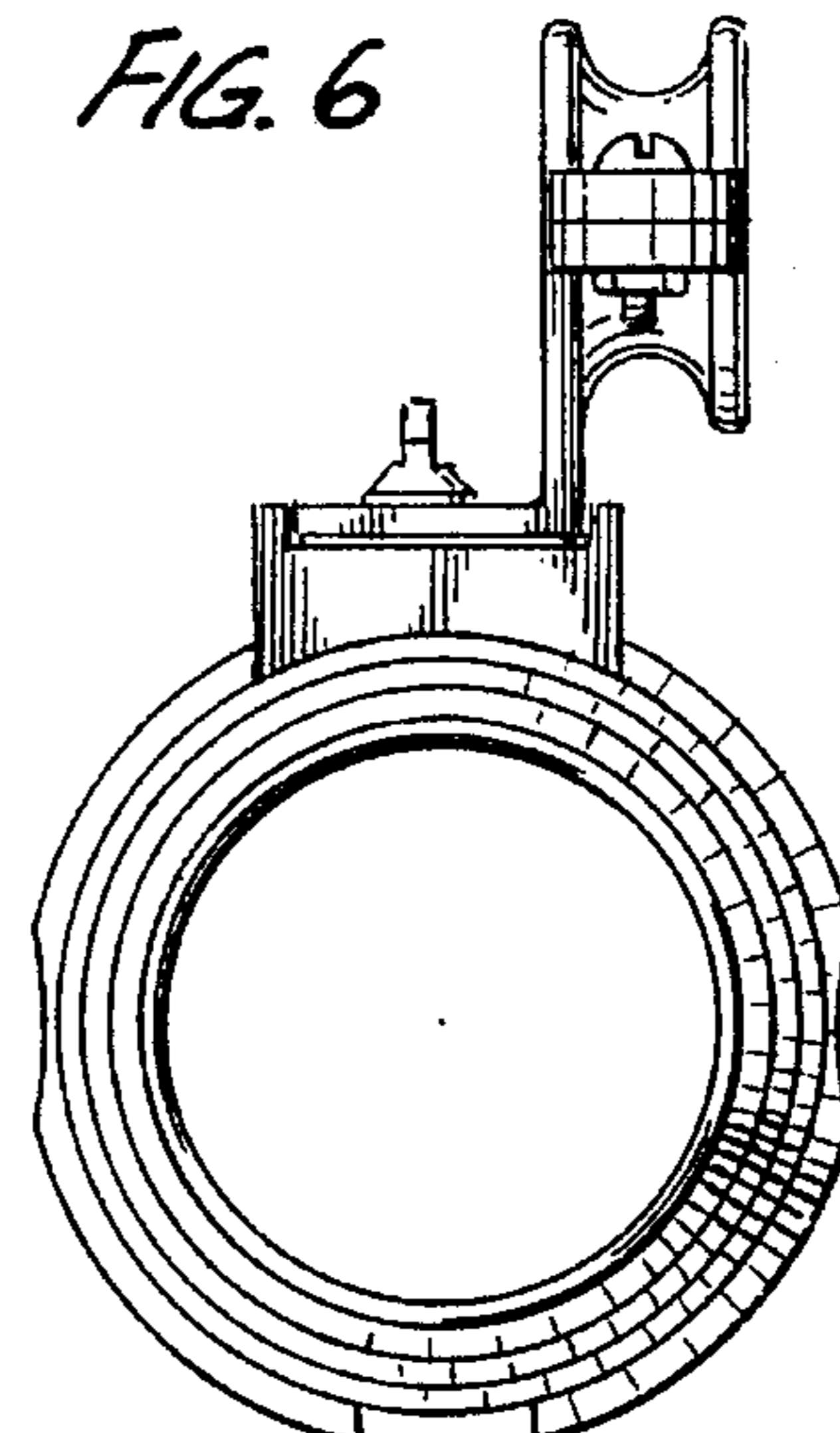


FIG. 7

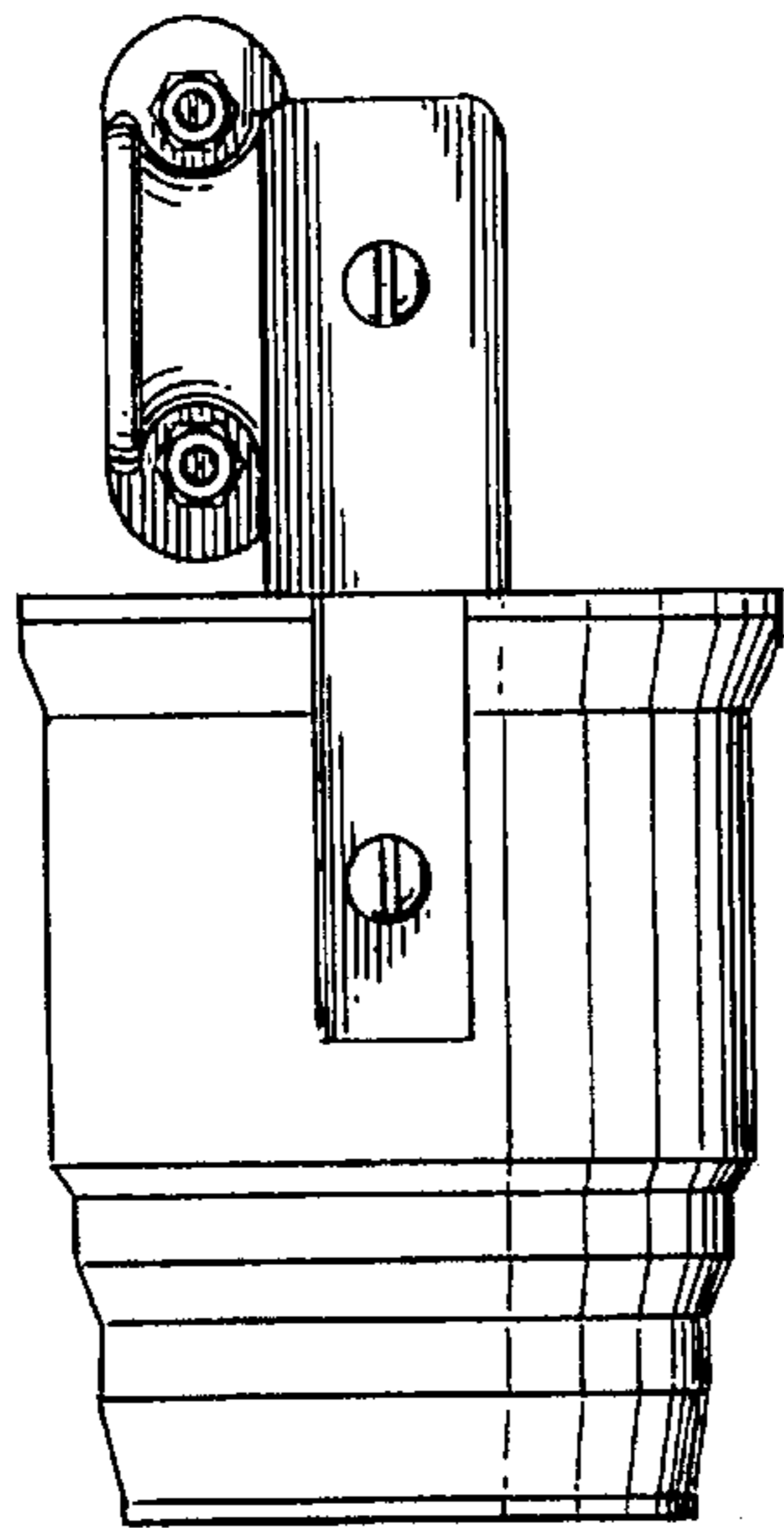


FIG. 8

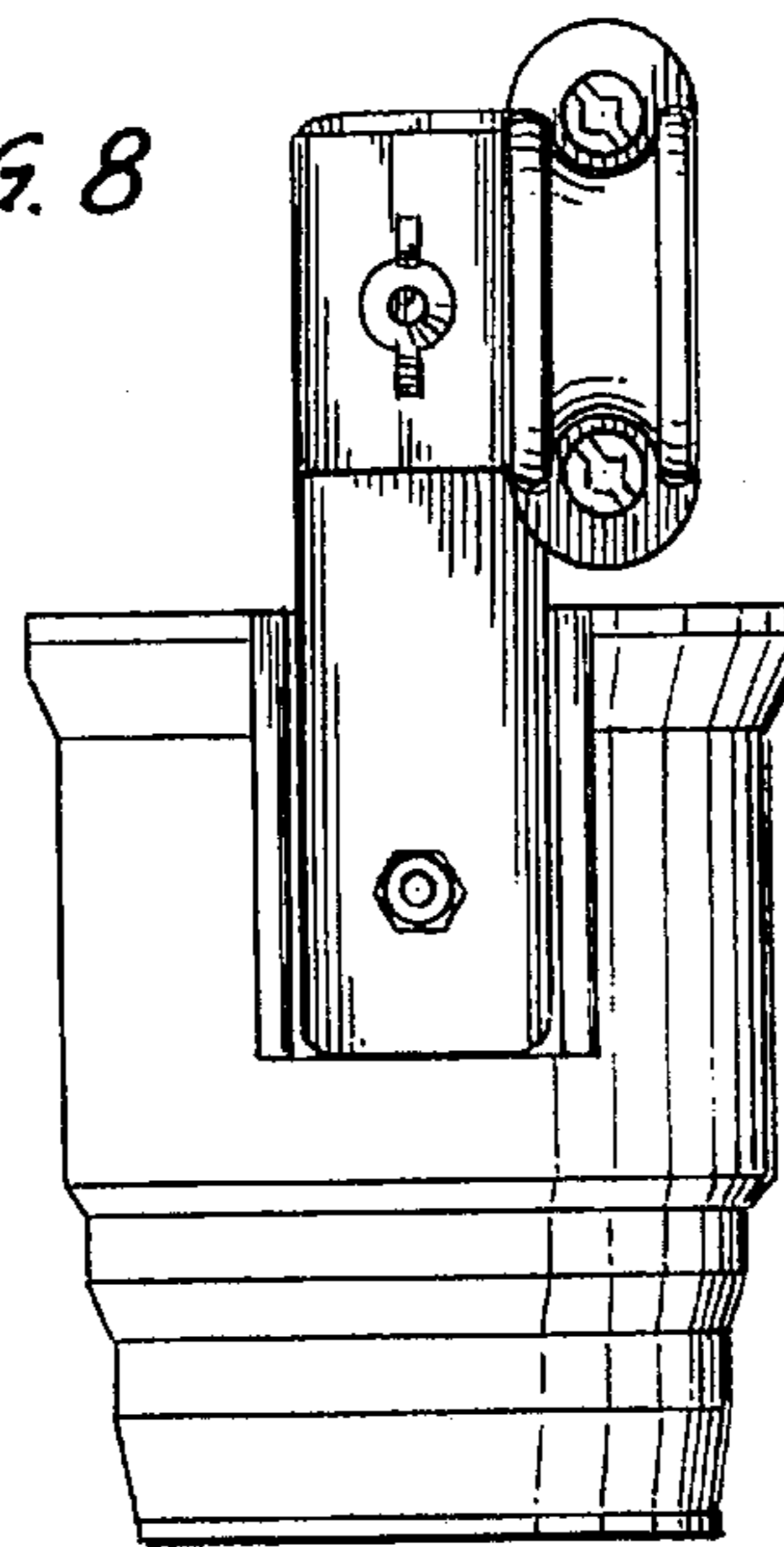


FIG. 9

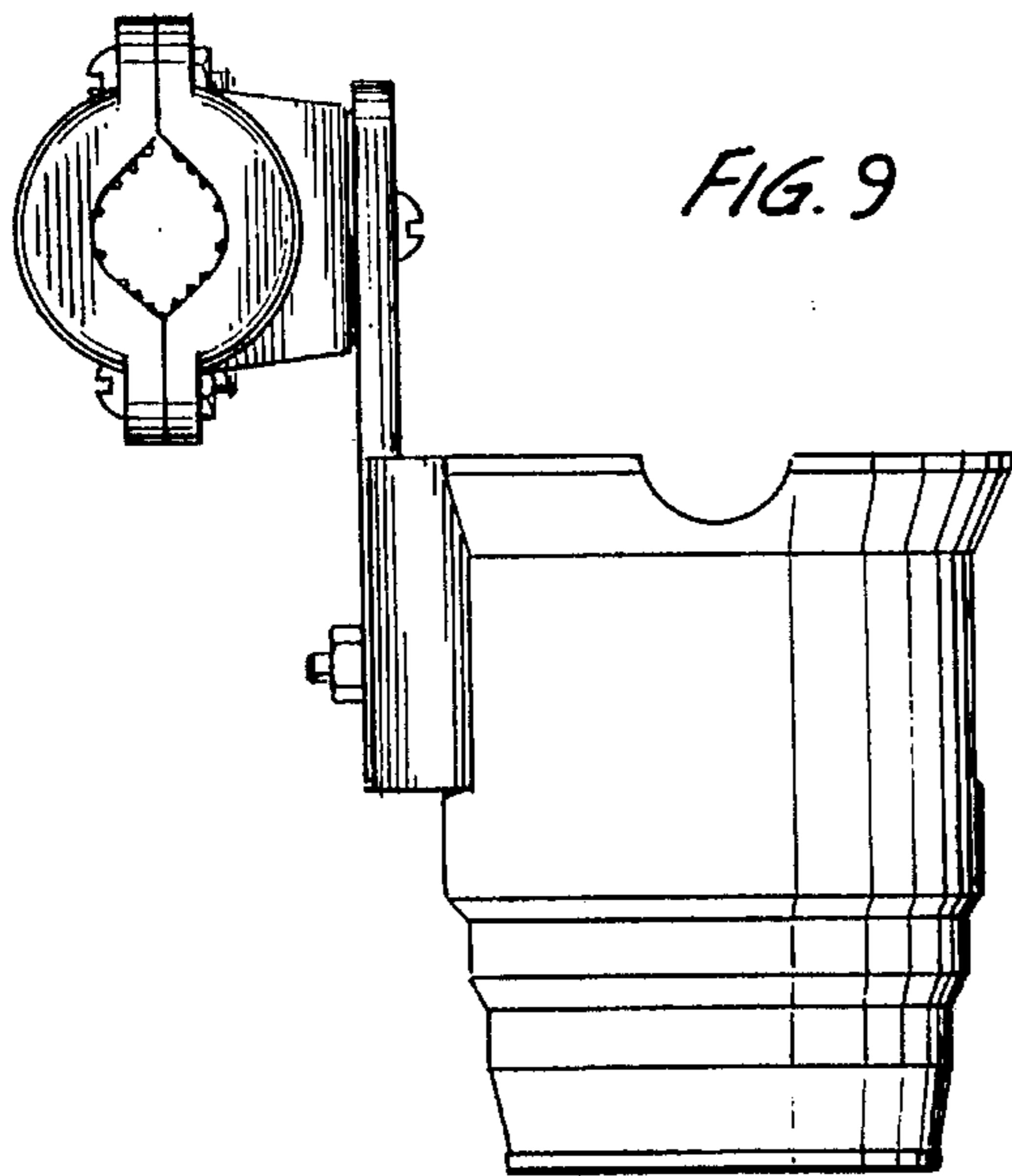


FIG. 10

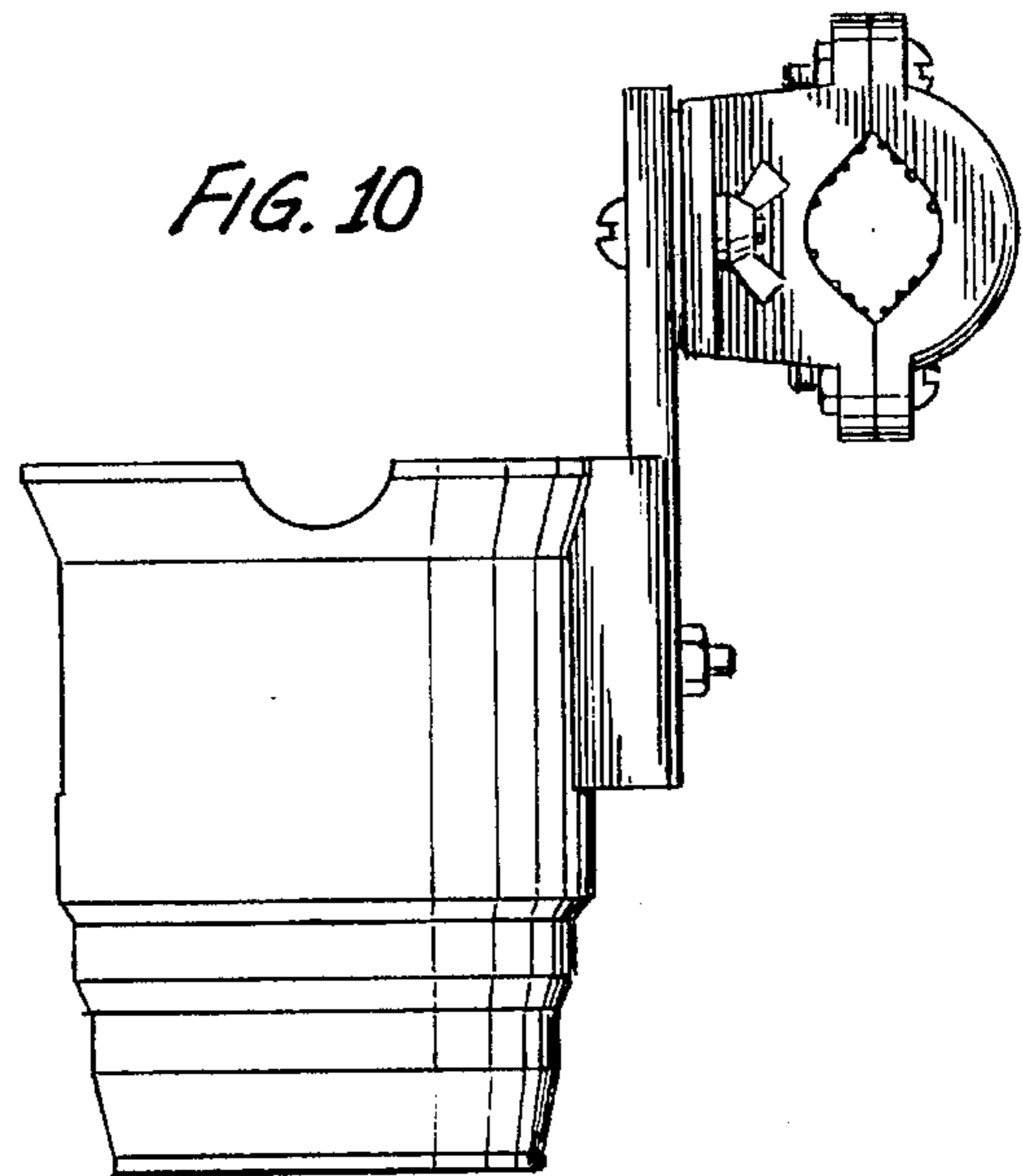


FIG. 11

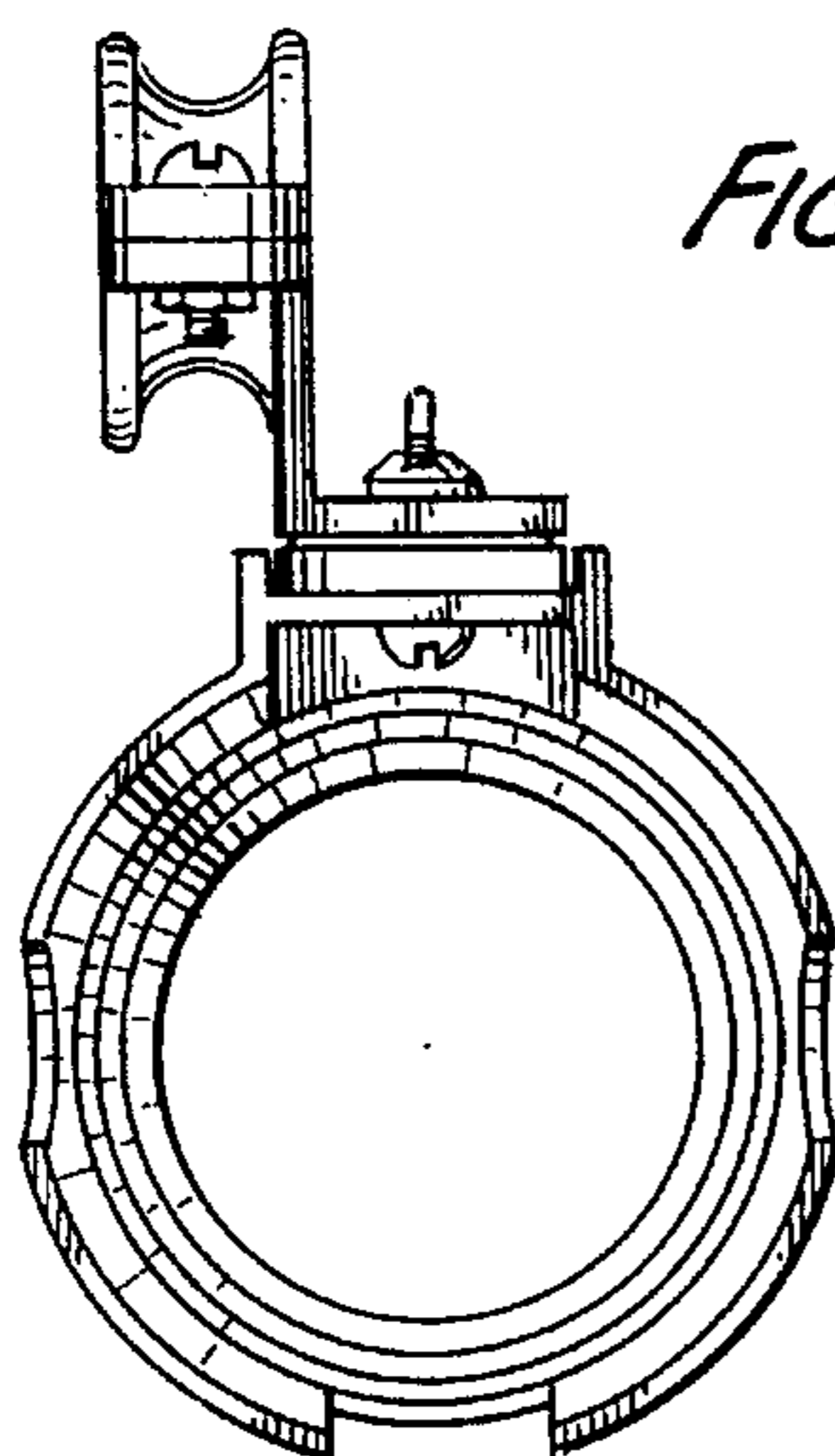


FIG. 12

