



US00D377874S

United States Patent [19] Wright

[11] Patent Number: **Des. 377,874**

[45] Date of Patent: ****Feb. 11, 1997**

[54] **ADJUSTABLE STAND**

FOREIGN PATENT DOCUMENTS

[75] Inventor: **James H. Wright**, Sausalito, Calif.

2403047 5/1979 France 211/107

[73] Assignee: **Richmond Engineering, Inc.**,
Sausalito, Calif.

Primary Examiner—B. J. Bullock
Assistant Examiner—Linda Brooks
Attorney, Agent, or Firm—Harris Zimmerman

[**] Term: **14 Years**

[57] **CLAIM**

[21] Appl. No.: **43,518**

The ornamental design for an adjustable stand, as shown and described.

[22] Filed: **Sep. 6, 1995**

[52] U.S. Cl. **D6/461; D6/455; D6/405**

DESCRIPTION

[58] **Field of Search** D6/462, 464, 466,
D6/467, 468, 469, 474-476, 449, 454-461,
405; 211/74, 77, 126, 13, 71, 106, 107,
112, 134, 135, 153, 175, 181, 186-188,
189, 190, 194, 195, 196, 205, 207; 248/27.8,
153, 161, 157, 175, 176.1, 174

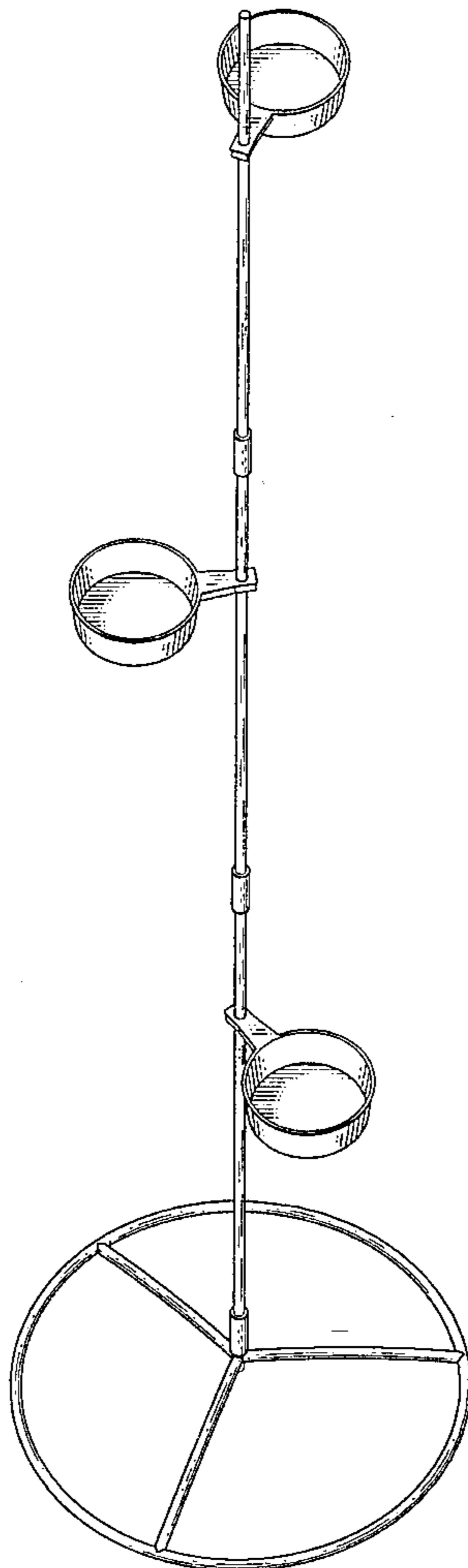
FIG. 1 is a perspective view of an adjustable stand in accordance with the present invention;
FIG. 2 is a front elevational view;
FIG. 3 is a right side elevational view;
FIG. 4 is a left side elevational;
FIG. 5 is a top plan view;
FIG. 6 is a bottom plan view;
FIG. 7 is a rear elevational view; and,
FIG. 8 is a perspective view of a modified form of the invention, the only difference being the addition of another receptacle on the stand.

[56] **References Cited**

U.S. PATENT DOCUMENTS

D. 177,749	5/1956	Oliver	D6/405
D. 250,372	11/1978	Szabo et al.	D6/405
D. 331,670	12/1992	Soucy et al.	D6/405
1,797,077	3/1931	Dew et al.	248/146
5,178,286	1/1993	Allison, III	211/205

1 Claim, 3 Drawing Sheets



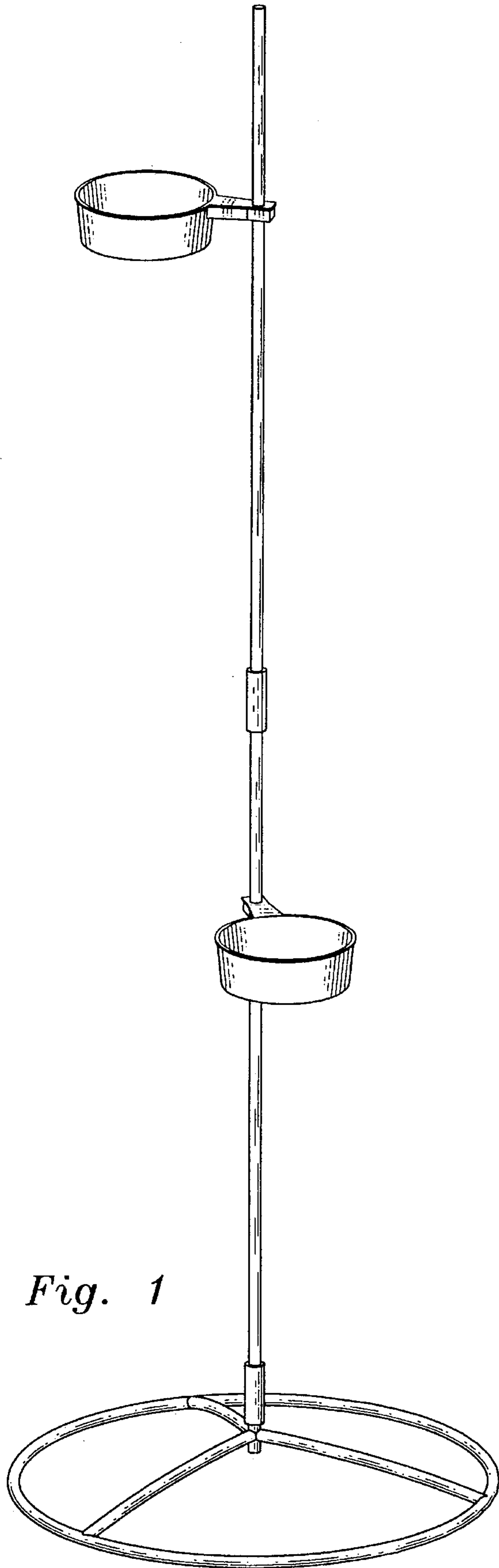


Fig. 1

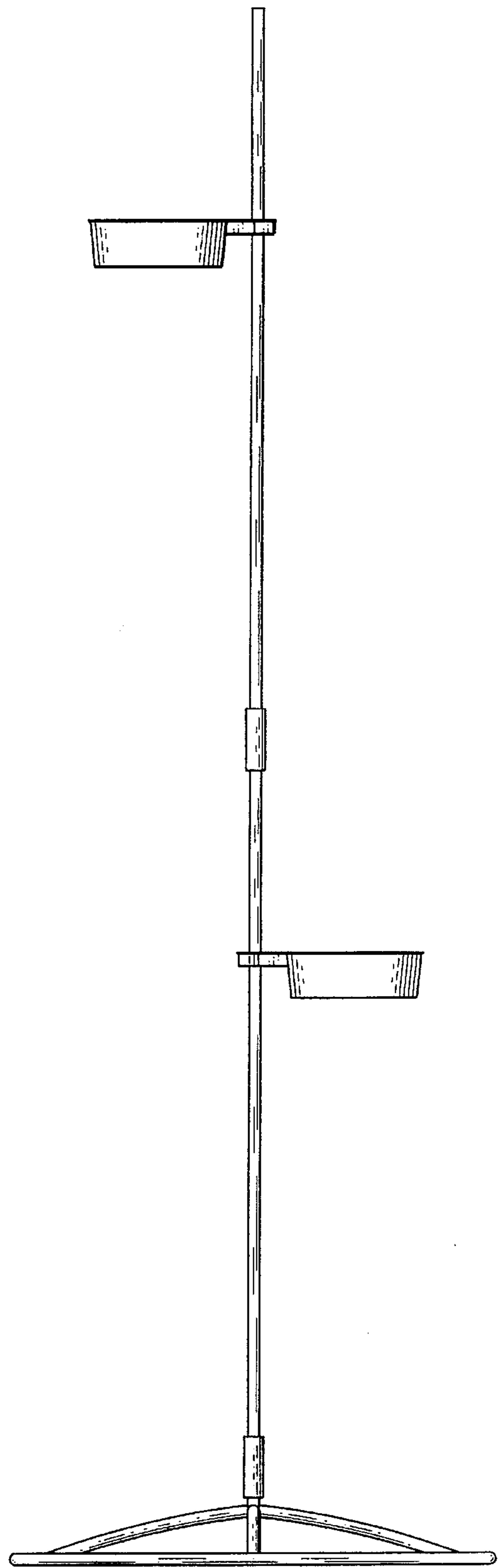


Fig. 2

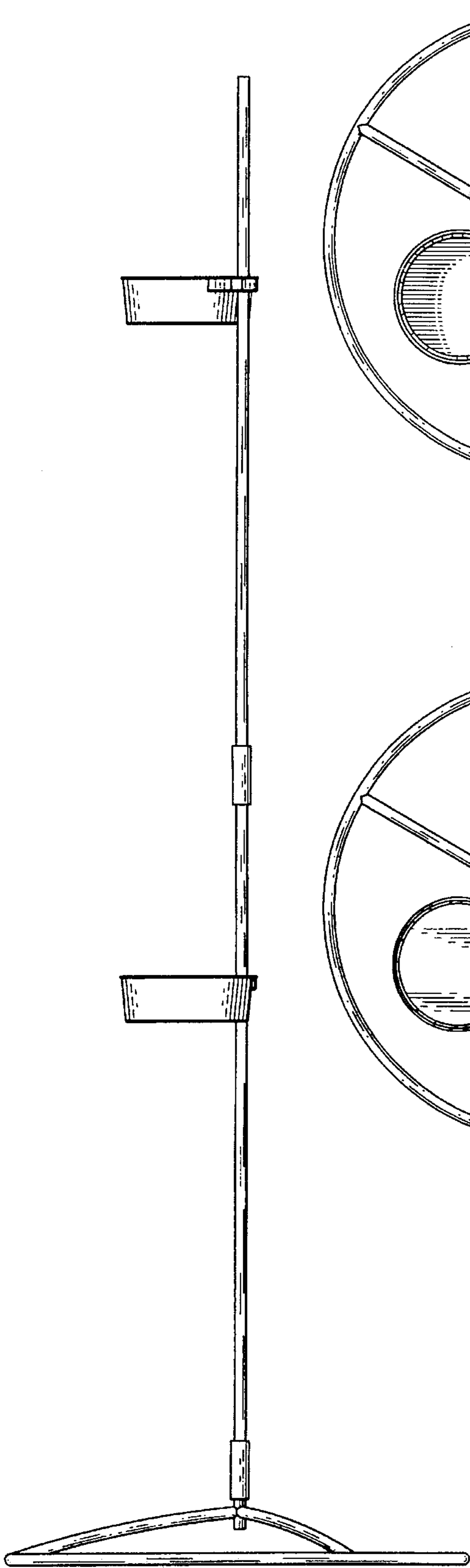


Fig. 3

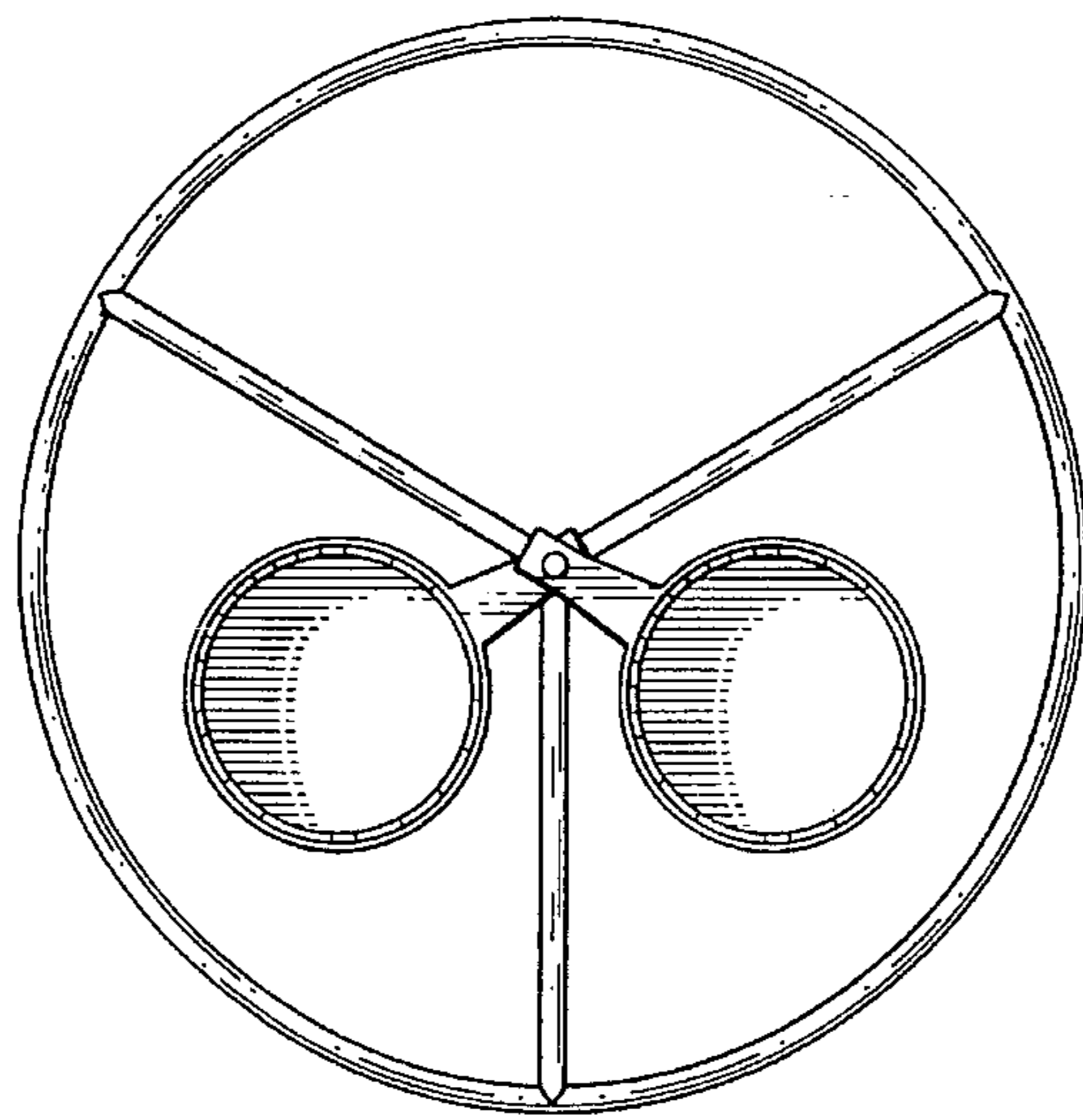


Fig. 5

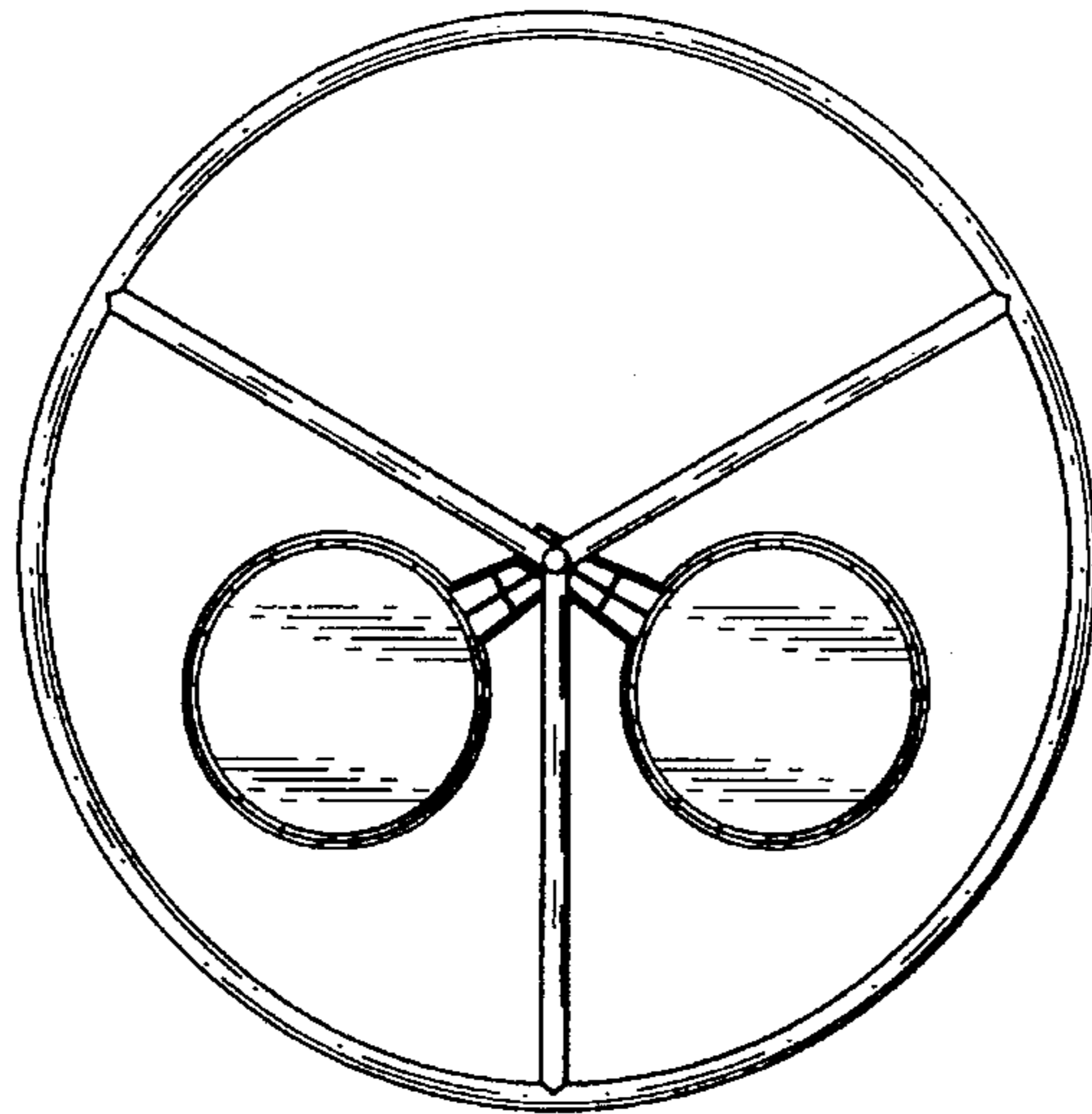


Fig. 6

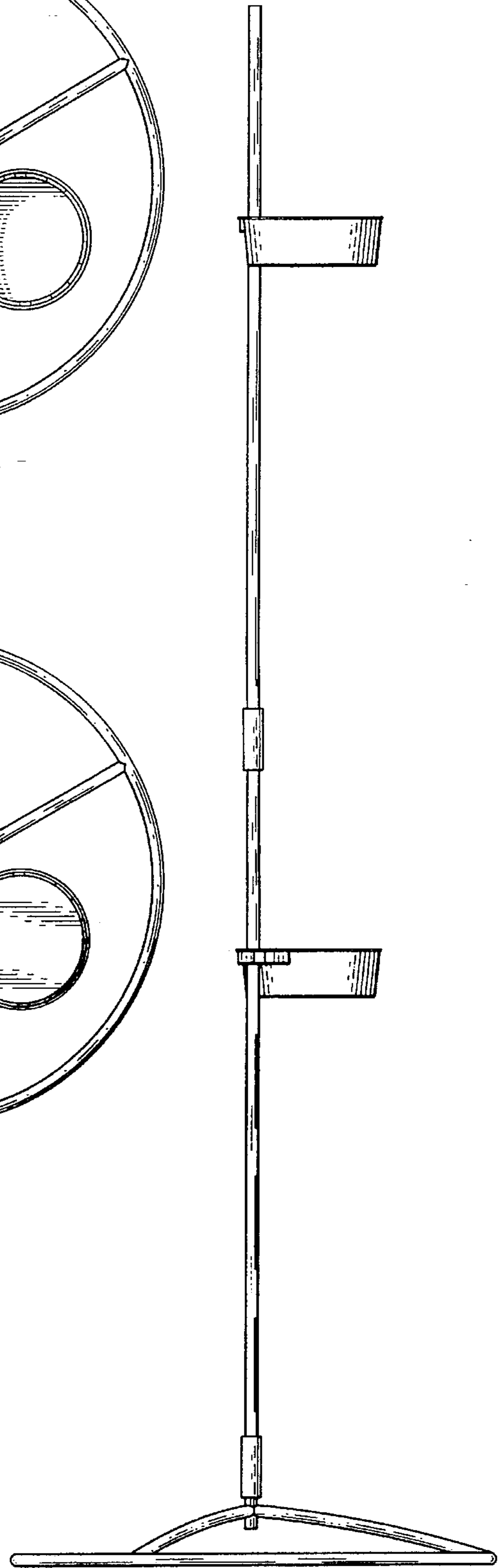


Fig. 4

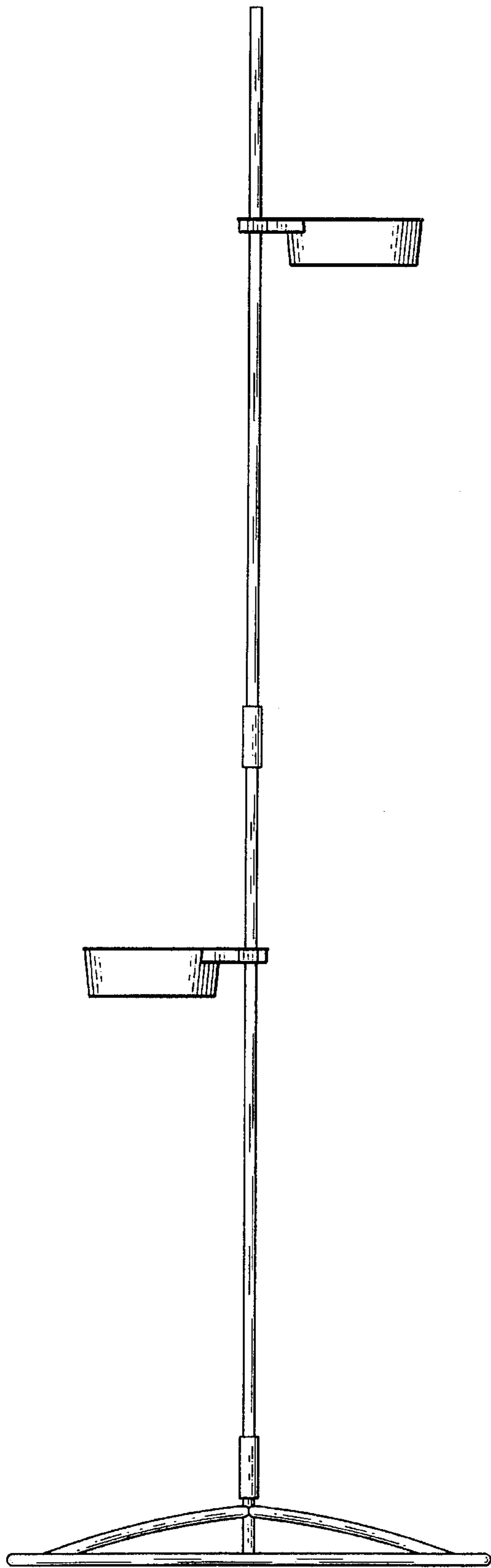


Fig. 7

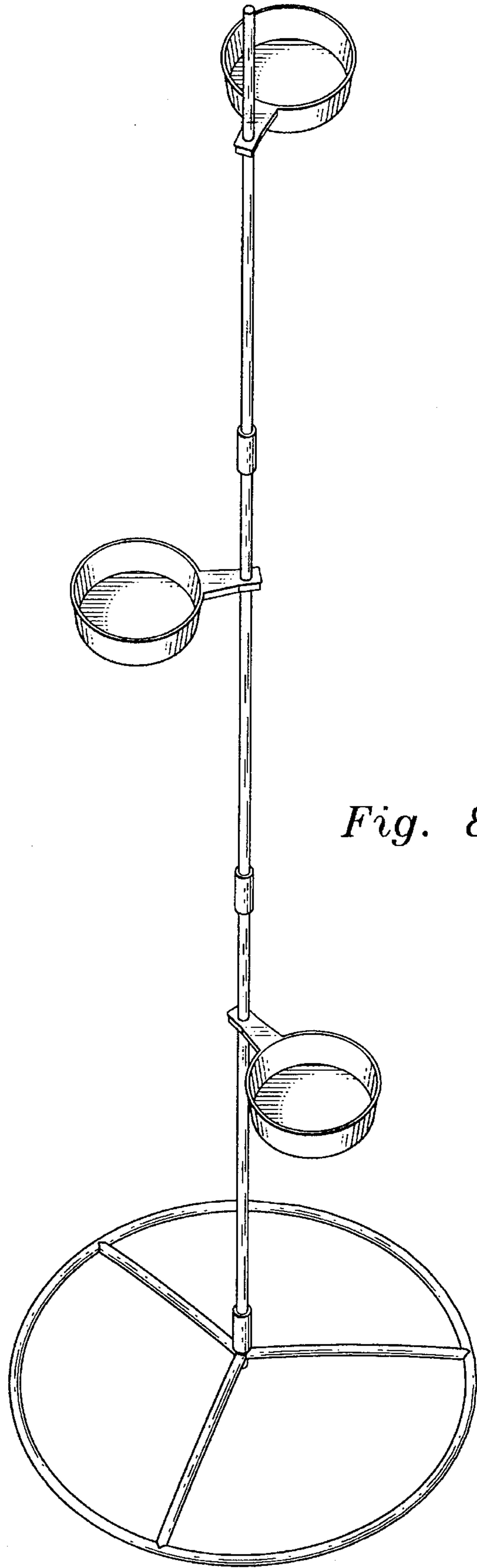


Fig. 8