



US00D377872S

United States Patent [19]

Biefnot et al.

[11] Patent Number: Des. 377,872

[45] Date of Patent: **Feb. 11, 1997

[54] BED

[76] Inventors: **Henri Biefnot**, Grand Route 22, Mons, Belgium, B-7000; **Marius Boonants**, rue du Vallon 21, Eugies, Belgium, B-7250; **Marcel Hubert**, rue des Francs 69, Marcinelle, Belgium, B-6001

[**] Term: 14 Years

[21] Appl. No.: 39,691

[22] Filed: Jun. 2, 1995

[52] U.S. Cl. D6/392; D6/393

[58] Field of Search D6/382-384, 392-395, D6/505-508; 5/178-180, 236.1, 239, 240, 279.1, 280, 907, 618, 619; D24/183

[56] References Cited

U.S. PATENT DOCUMENTS

D. 256,527	8/1980	Guetat	D6/394
3,309,717	3/1967	Black	5/618
4,277,858	7/1981	Bohme	5/618
4,559,656	12/1985	Foster	5/236.1
4,589,151	5/1986	Behrens	5/618 X
4,674,140	6/1987	Boonants et al.	5/68
4,745,647	5/1988	Goodwin	5/618 X
5,109,558	5/1992	Di Blasi	5/618 X

OTHER PUBLICATIONS

Product Literature entitled "SMP® Personalized Medical Adjustable Mattress Frame", presented at the F.I.M.M. 10th International Congress, Brussels, Sep. 16th. to 19th. 1992,

by Dr. Paul Castiaux, consisting of two double-sided green pages.

Product Literature entitled "SMP® Sommier sur Mesures Personnalise", consisting of three double-sided, white and blue fold-out pages.

Photograph photocopy illustrating a bedspring that has been manufactured and sold in France since 1992.

Primary Examiner—Janice E. Seeger

Attorney, Agent, or Firm—Weingarten, Schurgin, Gagnebin & Hayes

[57] CLAIM

The ornamental design for a bed, as shown and described.

DESCRIPTION

FIG. 1 is a perspective view of the bed;

FIG. 2 is a right side view thereof;

FIG. 3 is a left side view thereof;

FIG. 4 is a right side view thereof, illustrating repositioned movable elements;

FIG. 5 is a right side view thereof, illustrating still other repositioned movable elements;

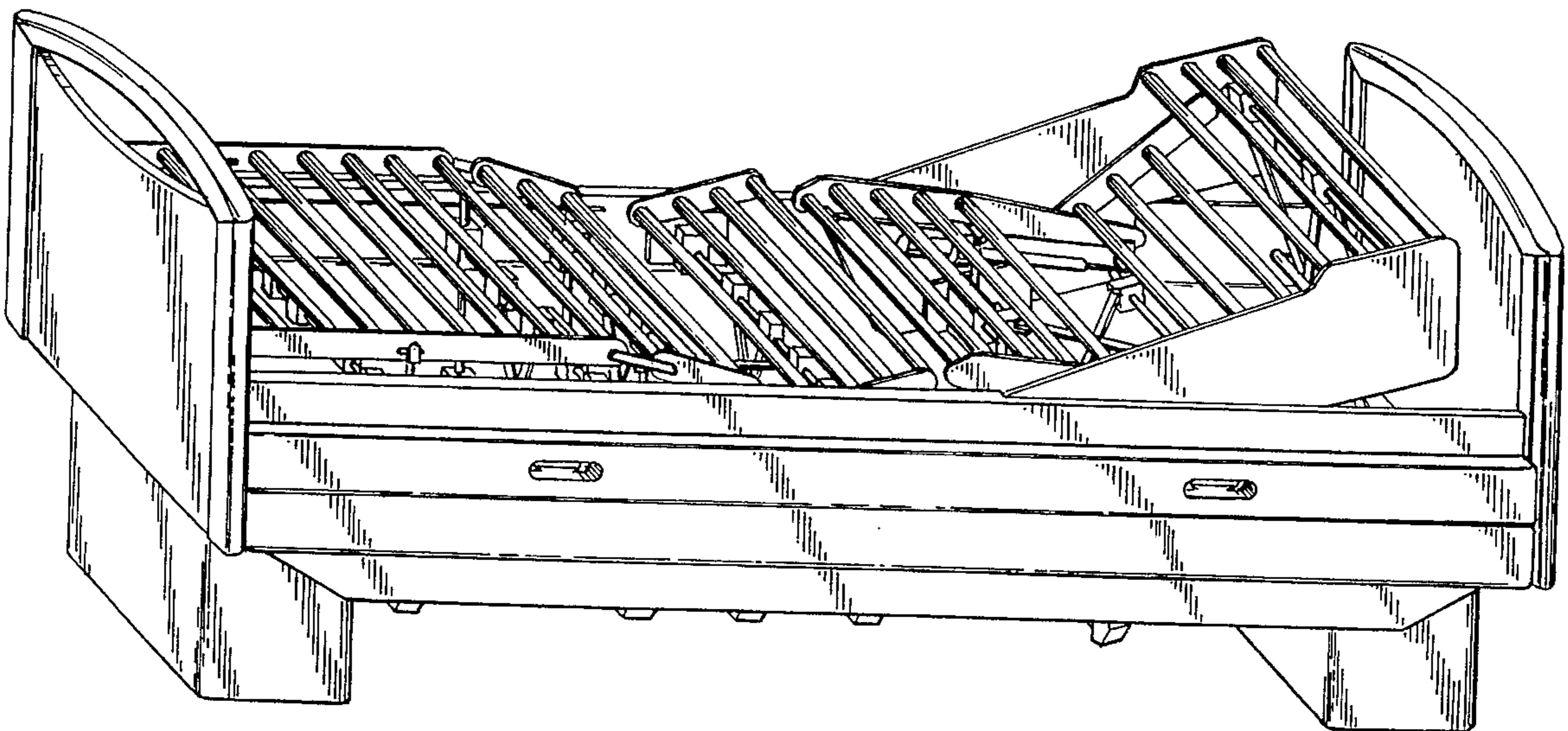
FIG. 6 is a top view thereof;

FIG. 7 is a bottom view thereof;

FIG. 8 is a front view thereof; and,

FIG. 9 is a rear view thereof.

1 Claim, 8 Drawing Sheets



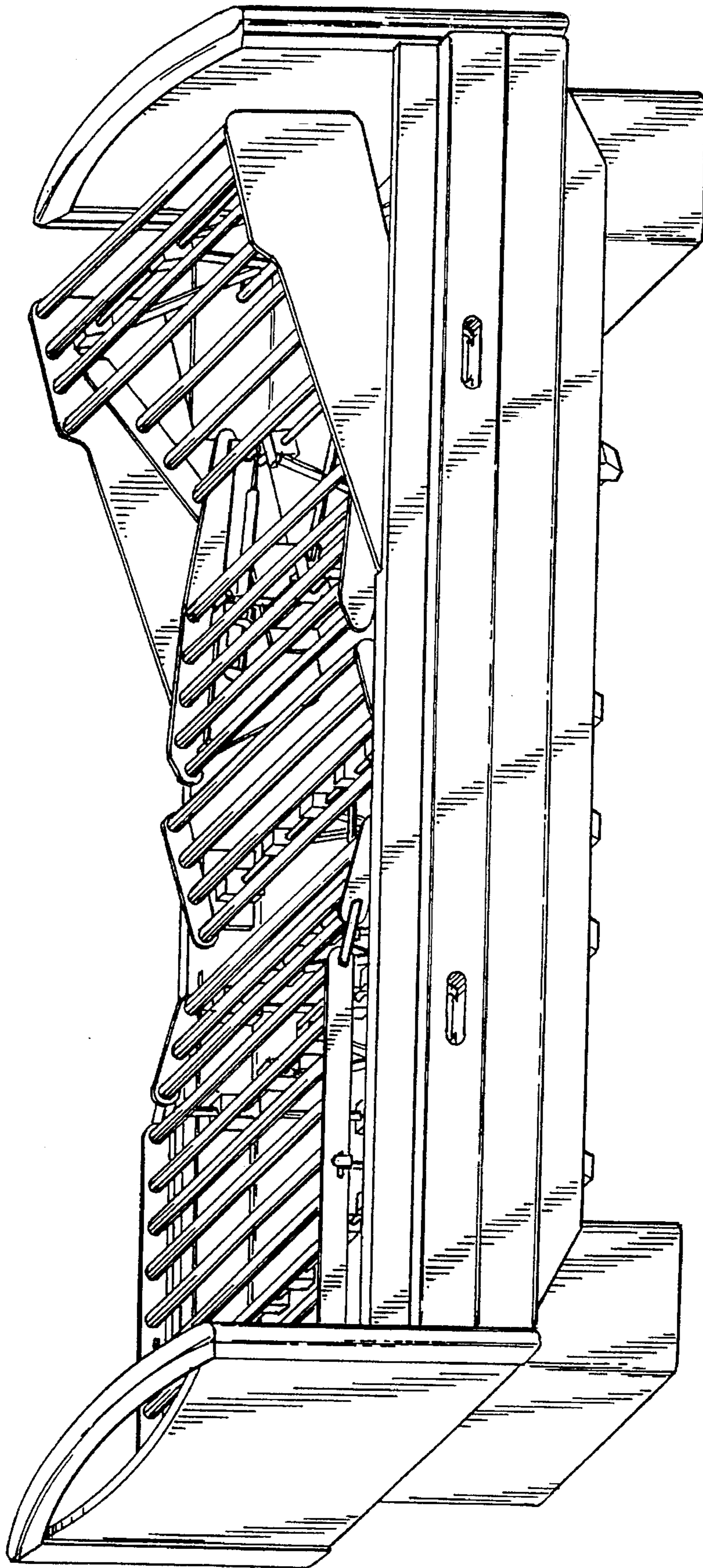


FIG. 1

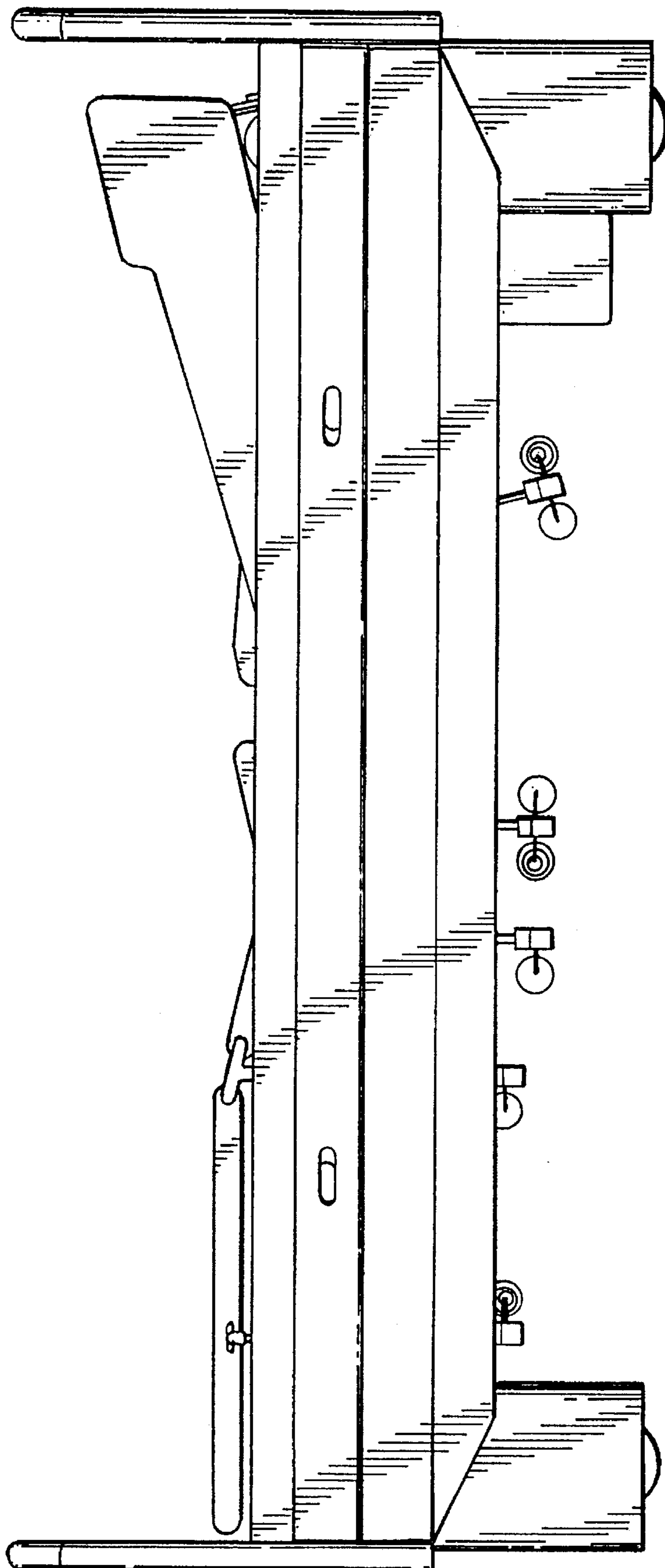


FIG. 2

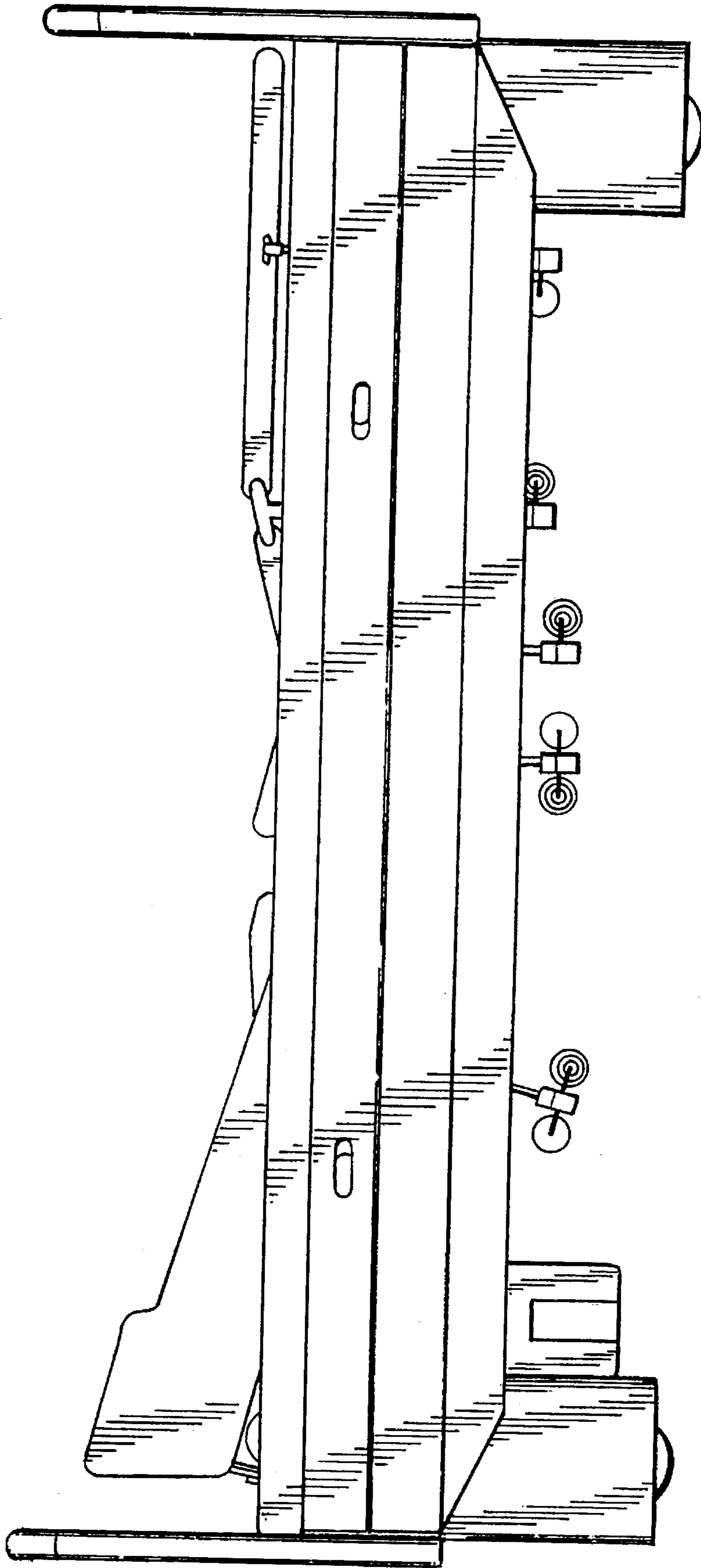


FIG. 3

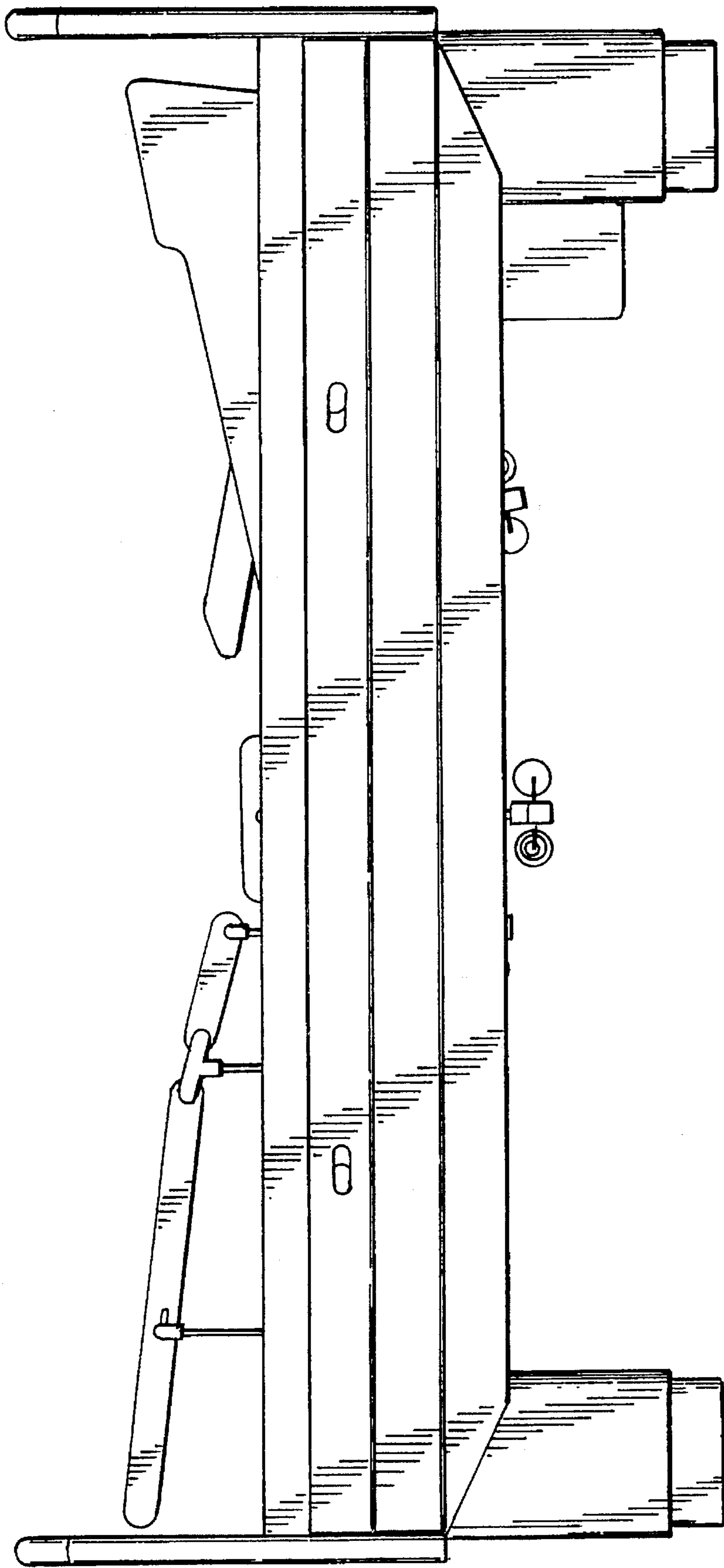


FIG. 4

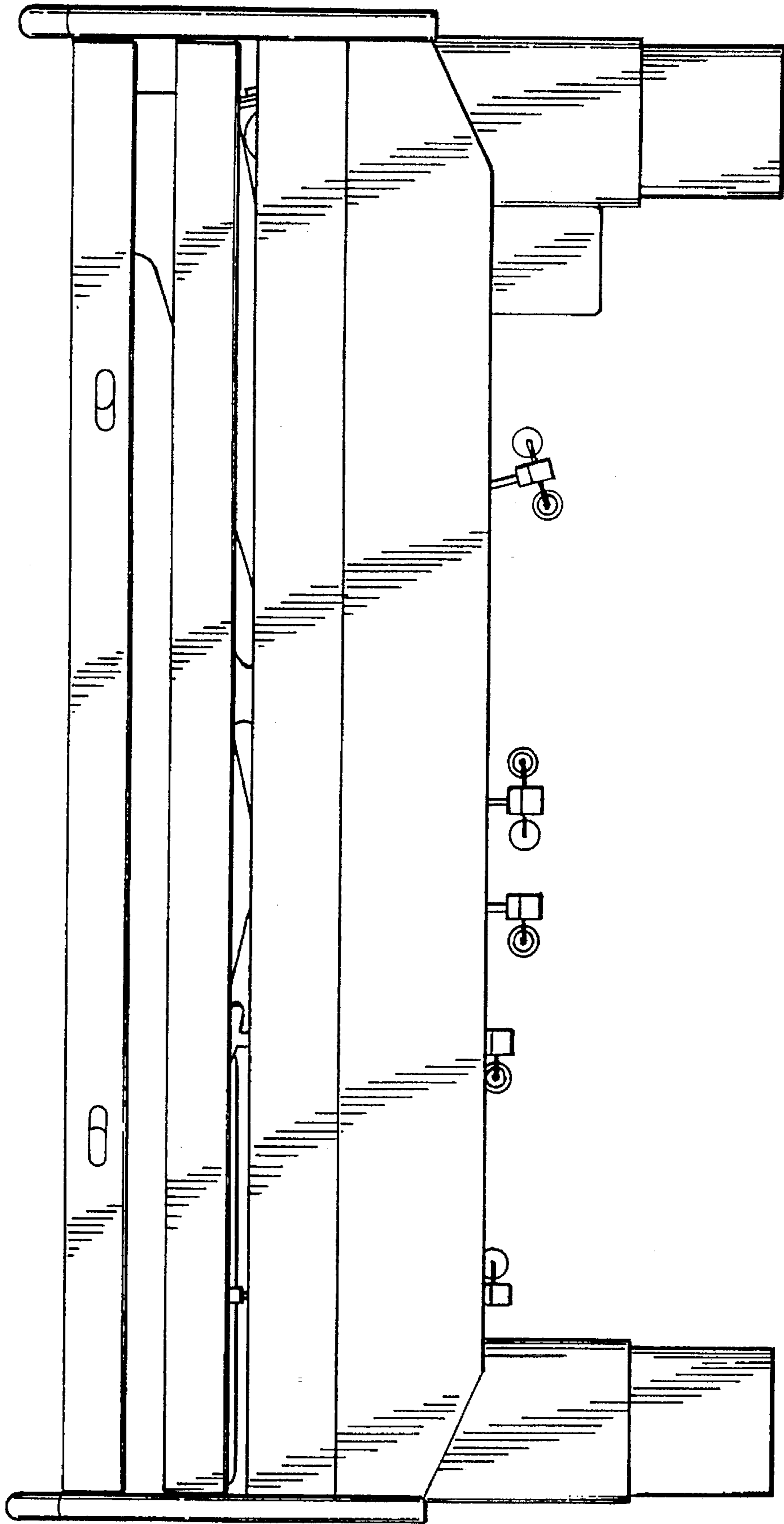


FIG. 5

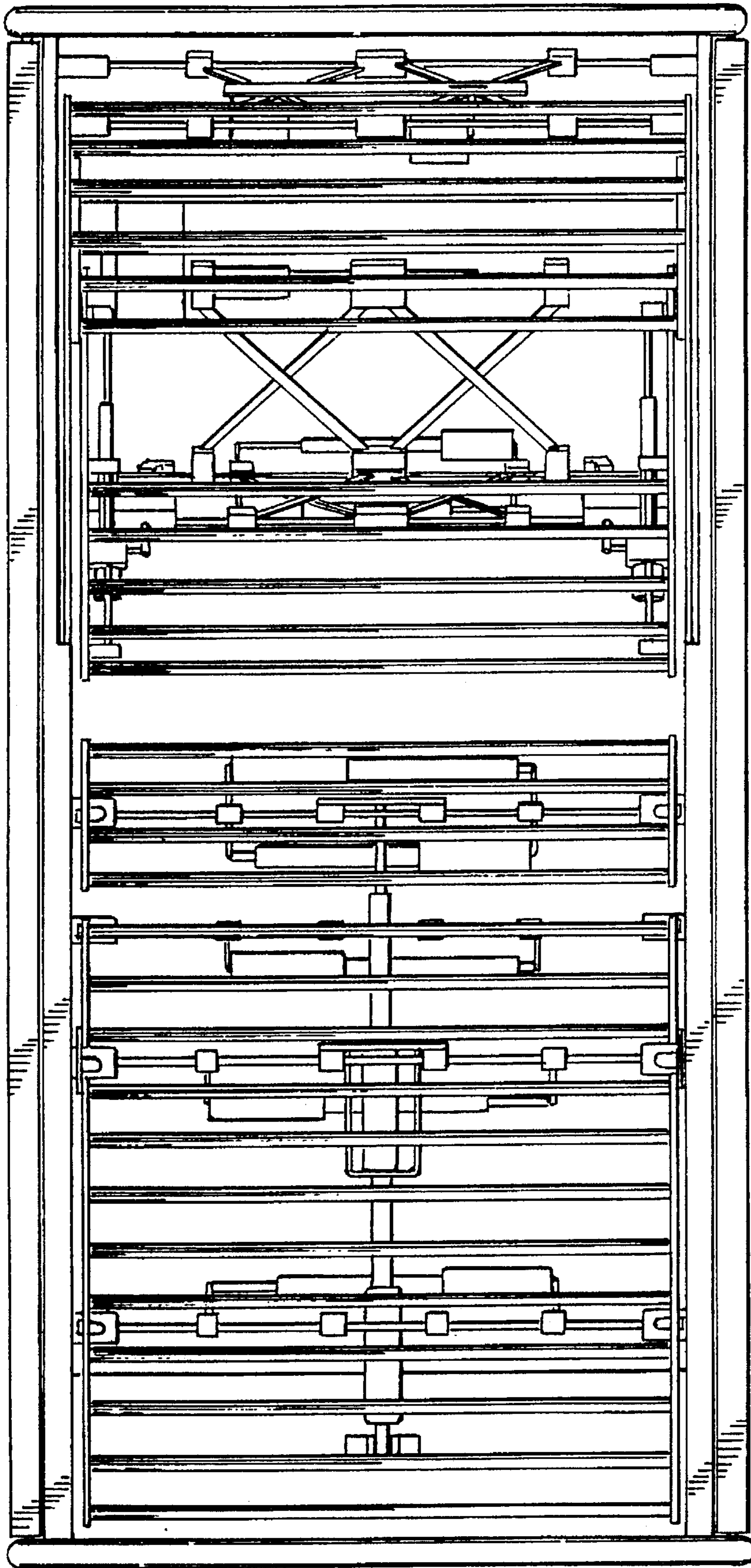


FIG. 6

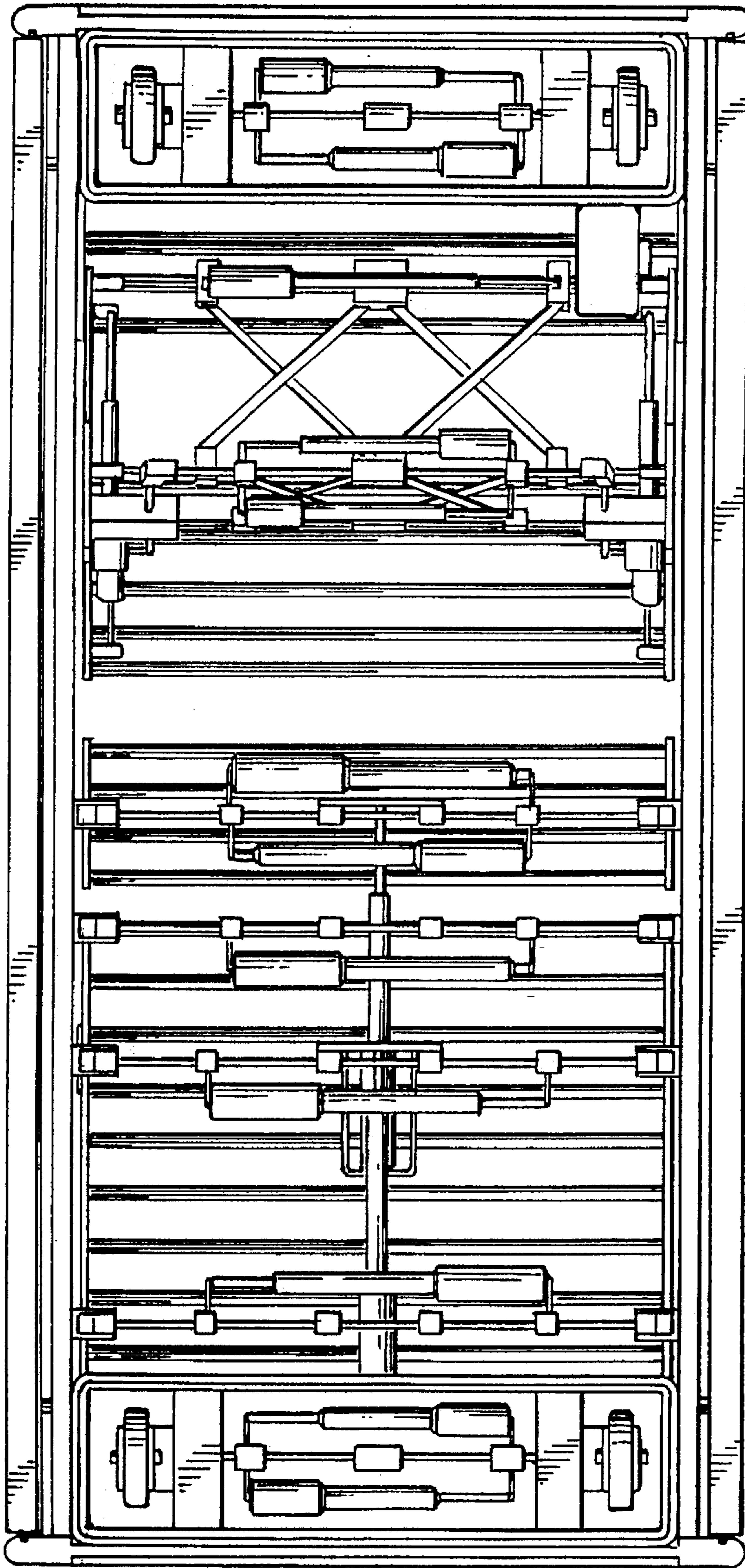


FIG. 7

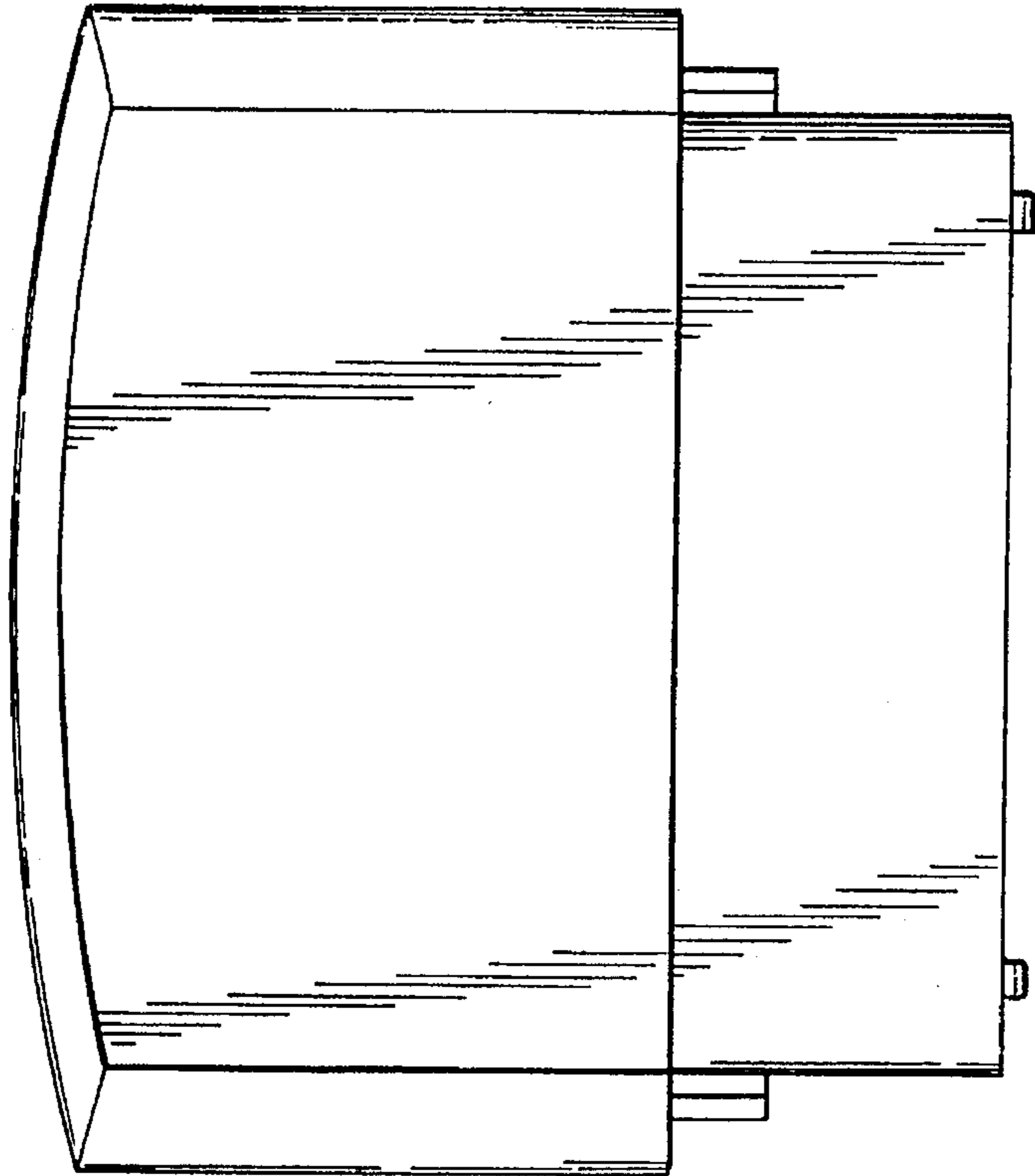


FIG. 8

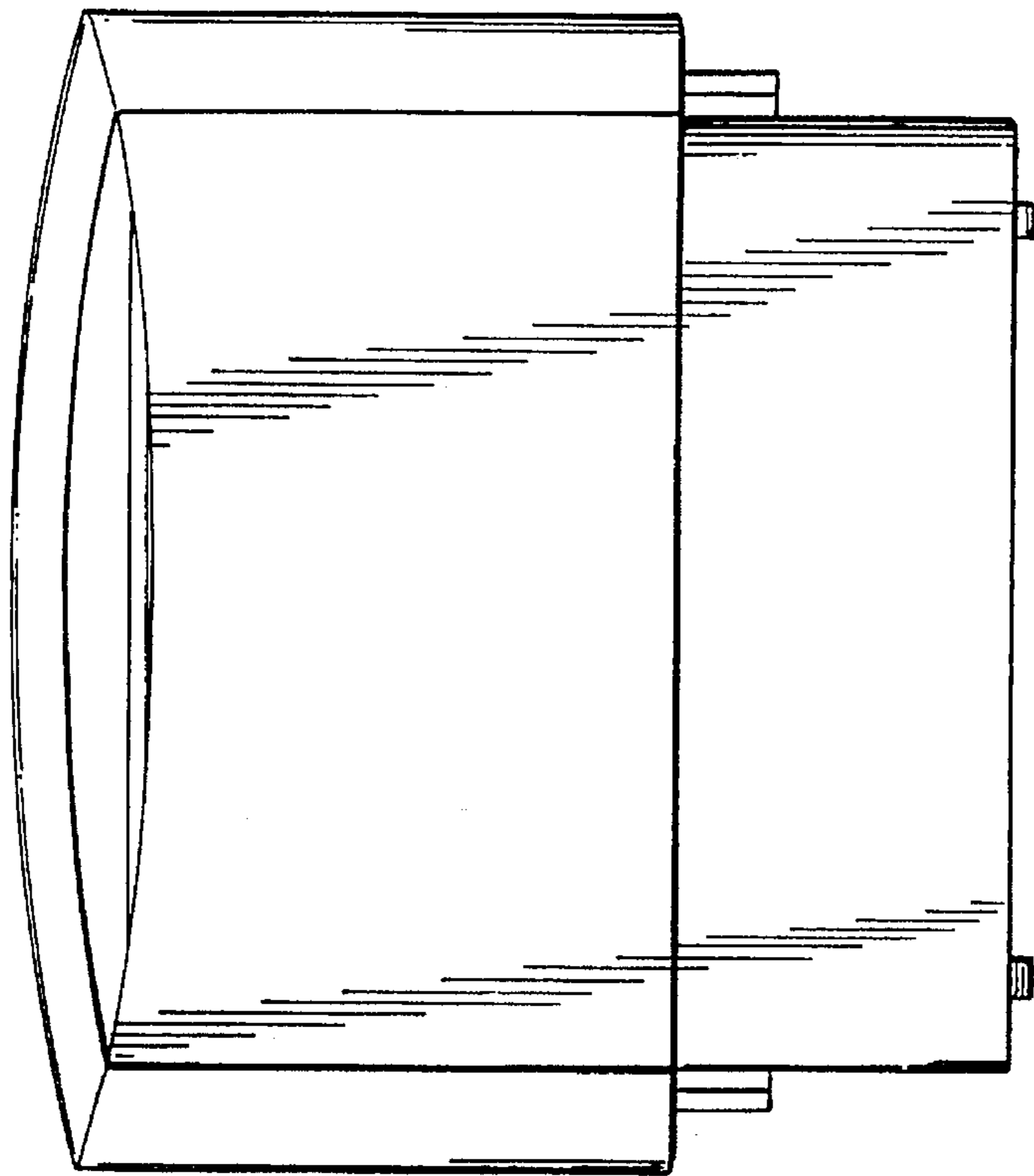


FIG. 9