



US00D377868S

United States Patent [19] Charlet

[11] Patent Number: **Des. 377,868**

[45] Date of Patent: ****Feb. 11, 1997**

[54] **GARMENT HANGER**
[75] Inventor: **Sandra K. Charlet**, Lenoir, N.C.
[73] Assignee: **Alba-Waldensian, Inc.**, Valdese, N.C.
[**] Term: **14 Years**

3,414,175 12/1968 Brosk D6/315
4,542,838 9/1985 Perez-Tubens et al. .
4,805,816 2/1989 Freund .
5,014,957 5/1991 Nichol, Jr. .
5,154,329 10/1992 Dorfmüller .

[21] Appl. No.: **41,763**
[22] Filed: **Jul. 24, 1995**

FOREIGN PATENT DOCUMENTS

739.180 1/1933 France 223/87

Primary Examiner—B. J. Bullock
Attorney, Agent, or Firm—Bell, Seltzer, Park & Gibson, P.A.

Related U.S. Application Data

[62] Division of Ser. No. 28,797, Sep. 22, 1994, Pat. No. Des. 368,590.
[52] **U.S. Cl.** **D6/315**
[58] **Field of Search** D6/315; 211/113;
223/85, 87

[57] CLAIM

The ornamental design for a garment hanger, as shown and described.

References Cited

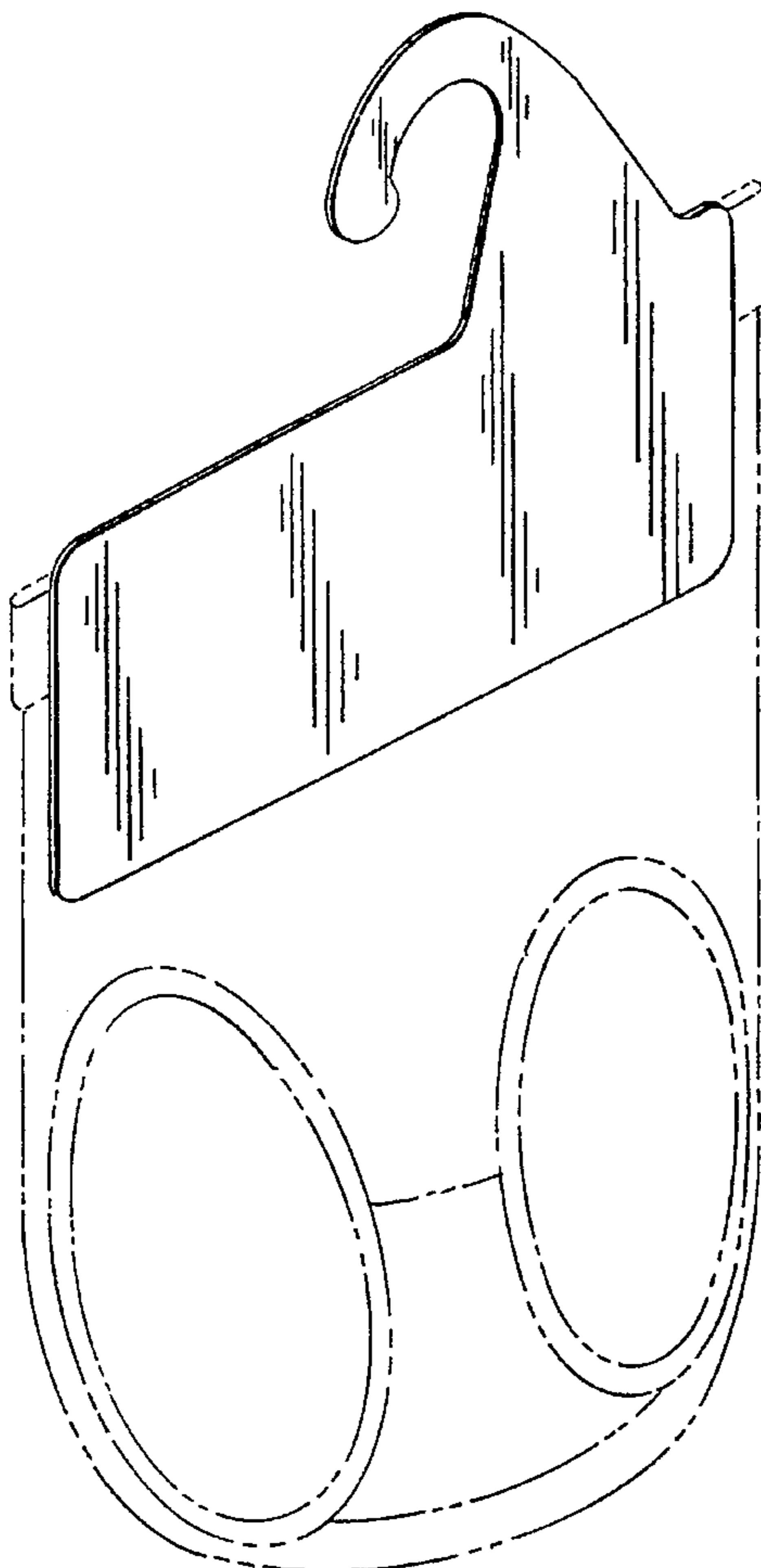
U.S. PATENT DOCUMENTS

D. 264,789 6/1982 Zyla et al. D6/315
D. 283,468 4/1986 Steinhilber .
D. 323,069 1/1992 Leese D6/315
D. 342,613 12/1993 Ackerman D6/315
2,766,917 10/1956 Jang D6/315
2,879,930 3/1959 Renner D6/315

DESCRIPTION

FIG. 1 is a perspective view of the garment hanger which illustrates the new design with environment in phantom;
FIG. 2 is a left side view of FIG. 3;
FIG. 3 is a front view thereof;
FIG. 4 is a right side view of FIG. 3;
FIG. 5 is a top view of FIG. 6;
FIG. 6 is a back view thereof; and,
FIG. 7 is a bottom view of FIG. 6.

1 Claim, 2 Drawing Sheets



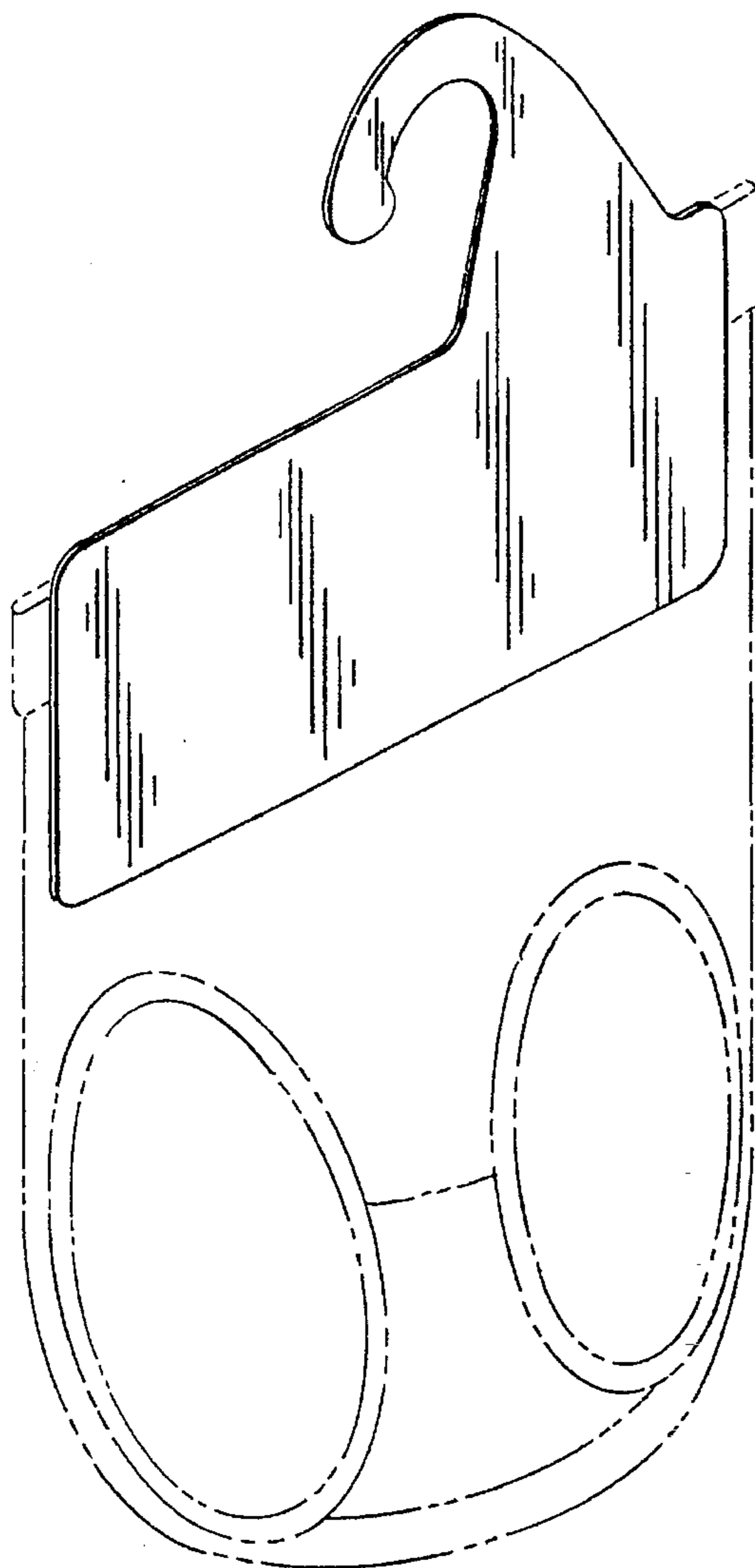


FIG. 1.



FIG. 2.

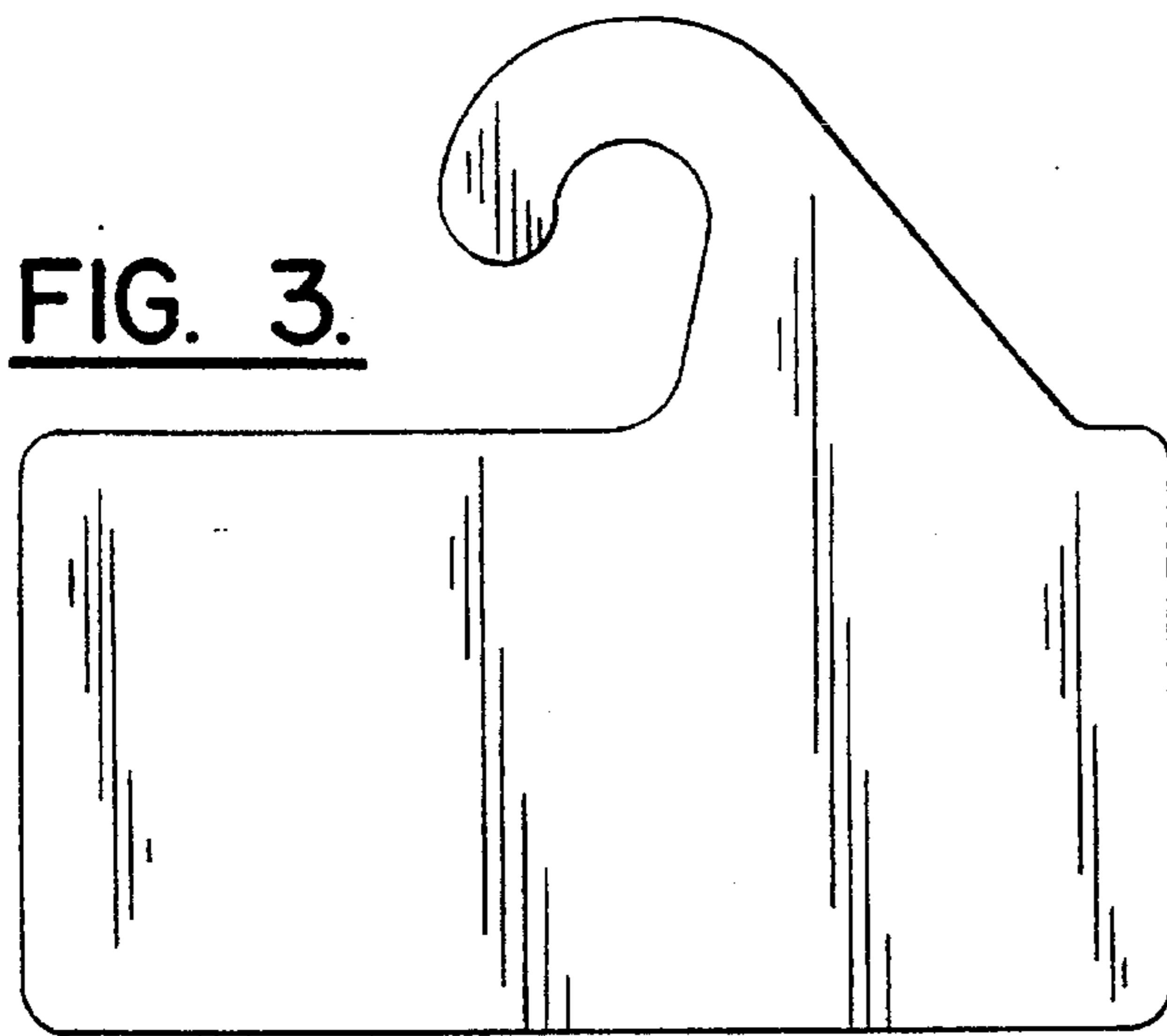


FIG. 3.



FIG. 4.

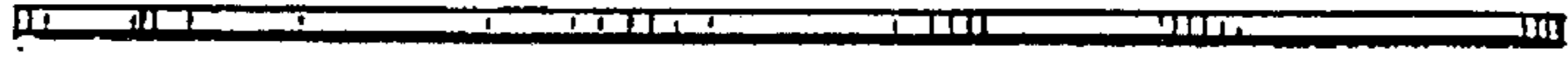


FIG. 5.

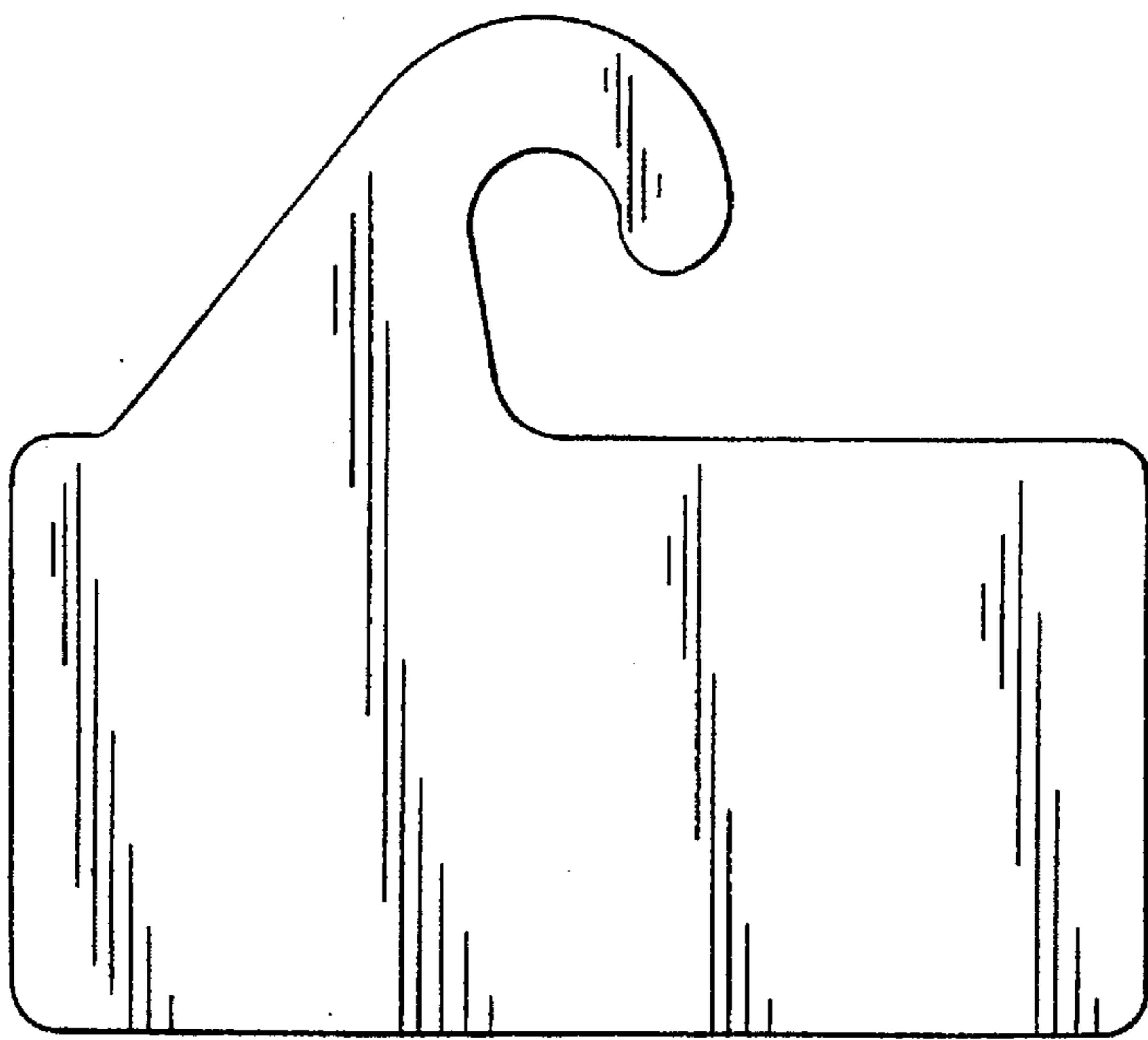


FIG. 6.

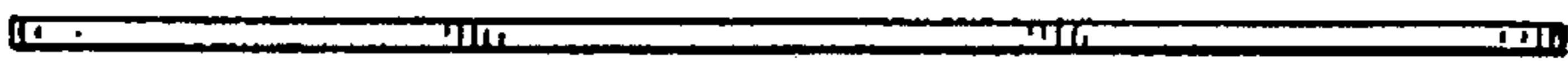


FIG. 7.

**UNITED STATES PATENT AND TRADEMARK OFFICE
CERTIFICATE OF CORRECTION**

PATENT NO. : Des. 377,868
DATED : February 11, 1997
INVENTOR(S) : Sandra K. Charlet

It is certified that error appears in the above-identified patent and that said Letters Patent is hereby corrected as shown below:

On the cover page, after the Claim, Column 2,
insert:

--This is a divisional of design application
Serial No. 29/028,797, filed September 22, 1994, now
Patent No. Des. 368,590.--

On the cover page, Column 2, in the Description of
the Figures, line 7, after "and" omit the comma (,).

Signed and Sealed this
Sixteenth Day of September, 1997

Attest:



BRUCE LEHMAN

Attesting Officer

Commissioner of Patents and Trademarks