



US00D377862S

United States Patent [19]

[11] Patent Number: **Des. 377,862**

Moore

[45] Date of Patent: ****Feb. 11, 1997**

[54] **TOOL HOLDER**

335438	4/1921	Germany .
640203	5/1962	Italy .
23401	of 1894	United Kingdom .
5174	of 1909	United Kingdom .

[76] Inventor: **Brian J. Moore**, 533 Shoup West, Twin Falls, Id. 83301

[**] Term: **14 Years**

Primary Examiner—Doris V. Coles
Assistant Examiner—Catherine R. Oliver
Attorney, Agent, or Firm—Richard C. Litman

[21] Appl. No.: **41,128**

[22] Filed: **Jul. 7, 1995**

[57] **CLAIM**

[52] U.S. Cl. **D3/228**

[58] Field of Search D3/228, 215, 18, D3/20, 21; 224/164, 220, 222, 219

The ornamental design for a tool holder, as shown and described.

[56] References Cited

DESCRIPTION

U.S. PATENT DOCUMENTS

D. 256,292	8/1980	Cox	D3/206
D. 305,961	2/1990	Cobb	224/220 X
D. 347,117	5/1994	Crichton et al.	D3/215 X
774,143	11/1904	Adams	224/220
1,572,289	2/1926	Hogan	224/220
4,315,641	2/1982	Larsen	224/219 X
4,489,867	1/1984	Schwemberger	224/219 X
4,728,123	3/1988	Kassal et al.	280/822
4,958,758	9/1990	Tipple et al.	224/267
5,082,156	1/1992	Braun	224/220
5,257,729	11/1993	Silvernail	224/219

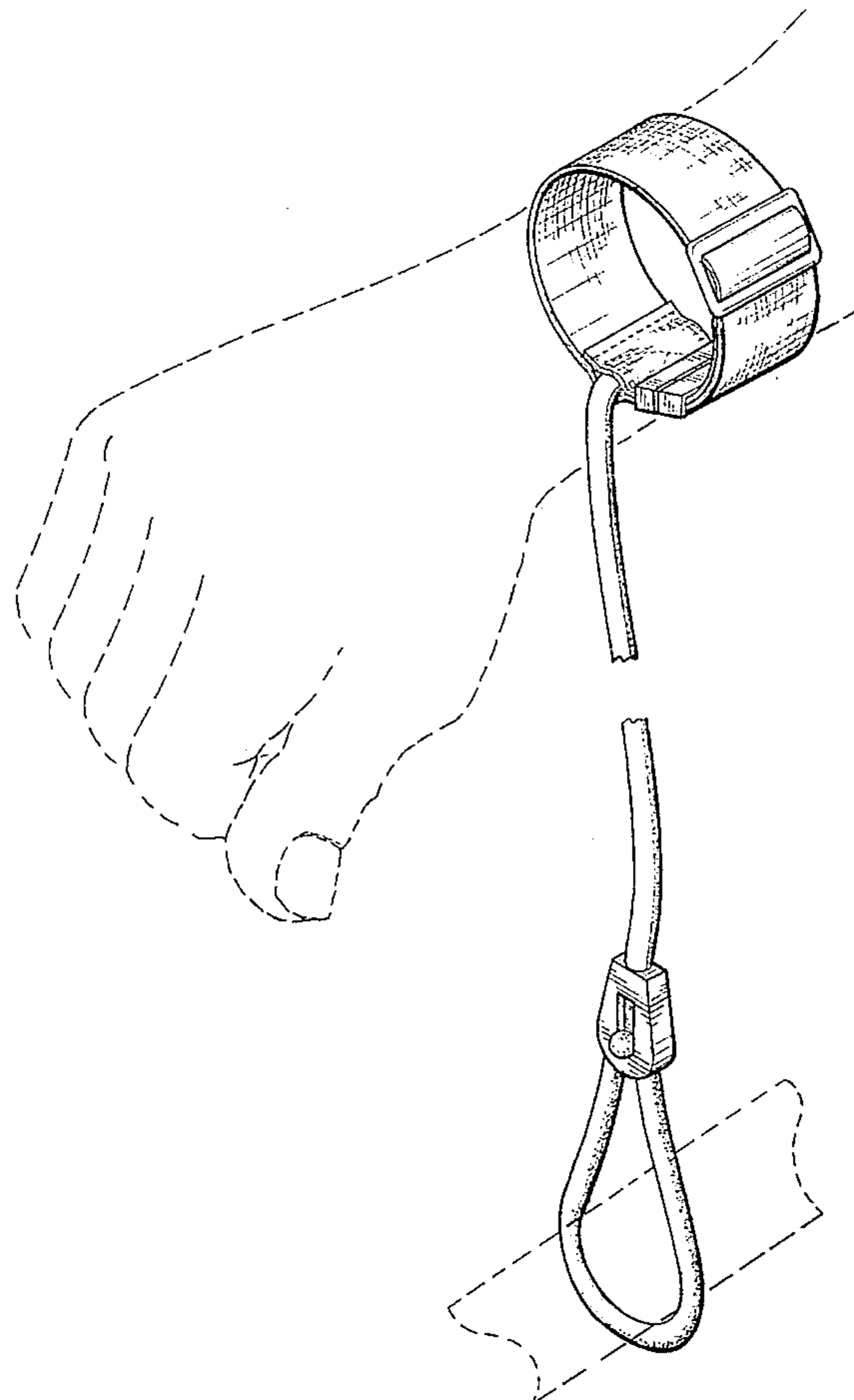
FIG. 1 is an environmental perspective view of a tool holder showing my new design, with the strap shown broken away for convenience of illustration;
FIG. 2 is a top plan view thereof;
FIG. 3 is a front elevational view thereof;
FIG. 4 is a bottom view thereof;
FIG. 5 is a rear elevational view thereof;
FIG. 6 is a right side elevational view thereof; and,
FIG. 7 is a left side elevational view thereof.

FOREIGN PATENT DOCUMENTS

590104 3/1925 France .

The broken line showing of a human forearm, hand and part of a tool in FIG. 1 is for illustrative purposes only and forms no part of the claimed design.

1 Claim, 4 Drawing Sheets



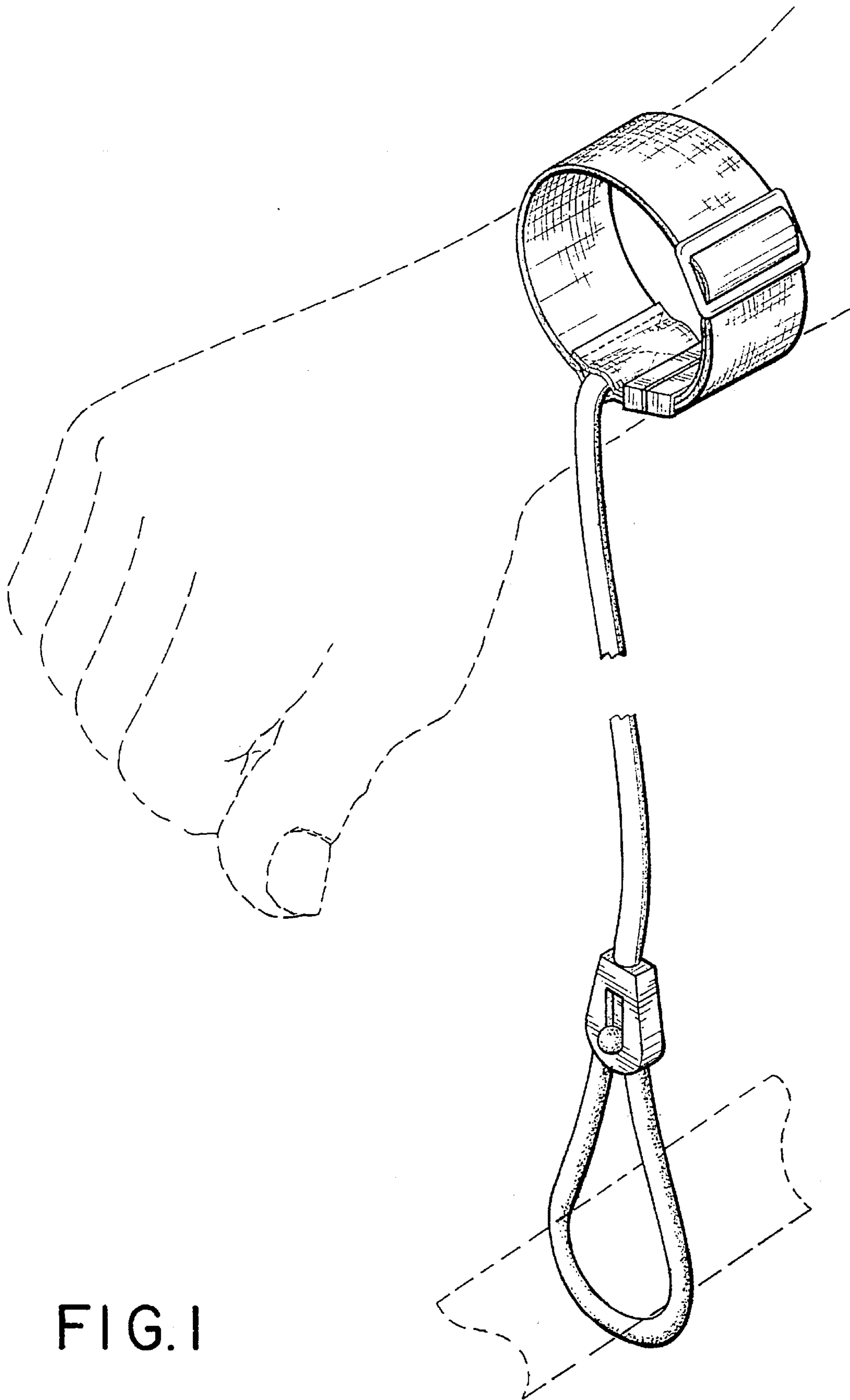


FIG. 1

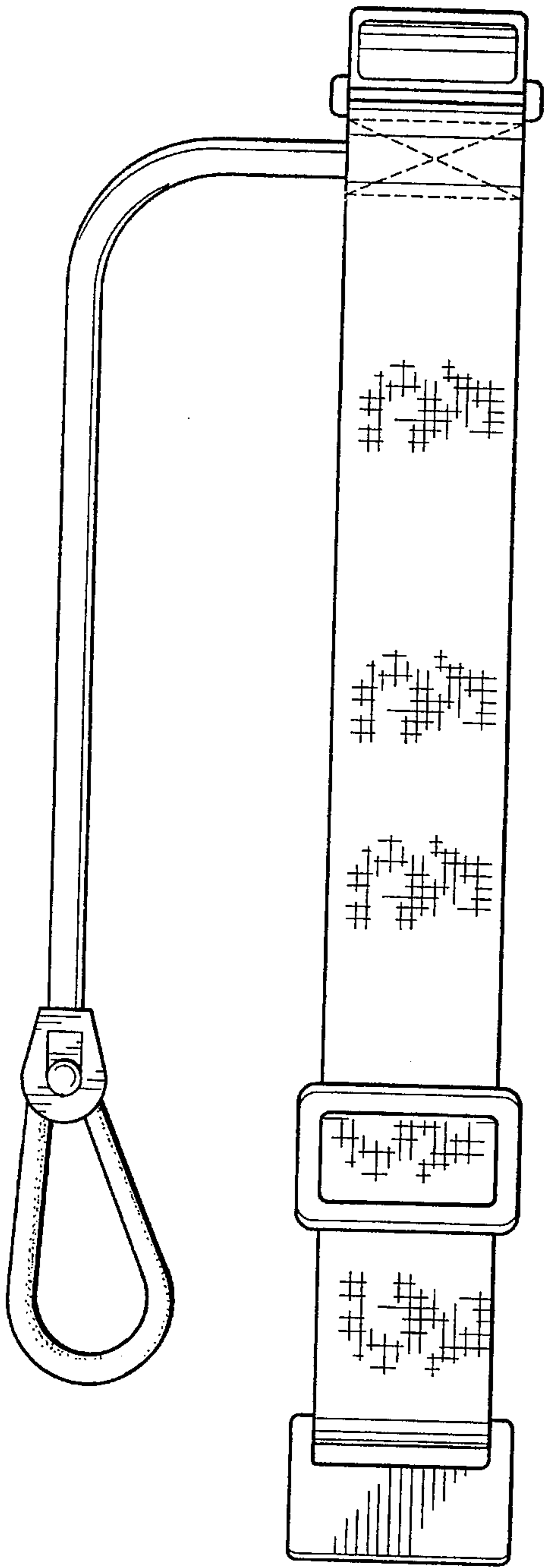


FIG. 2

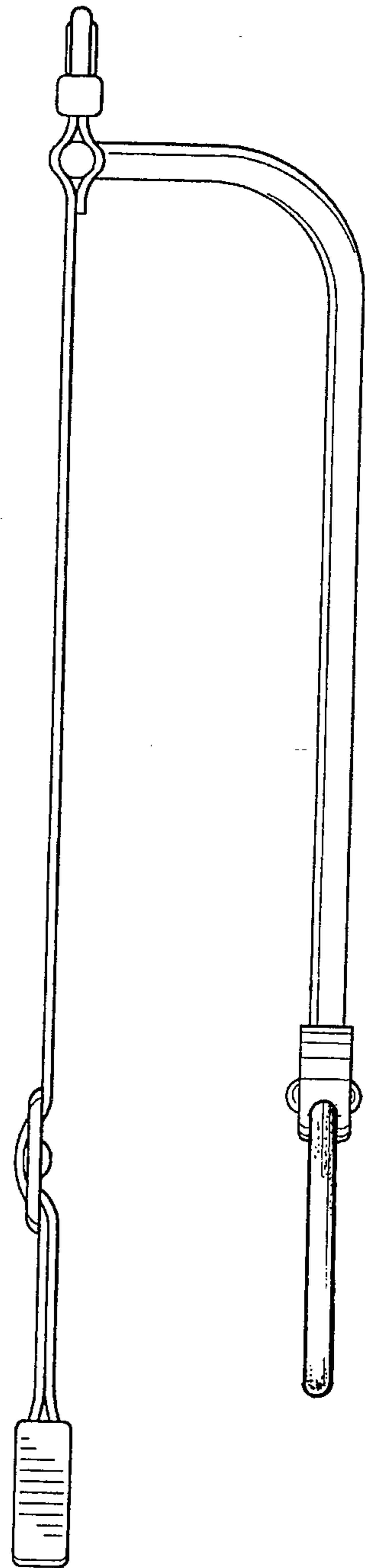


FIG. 3

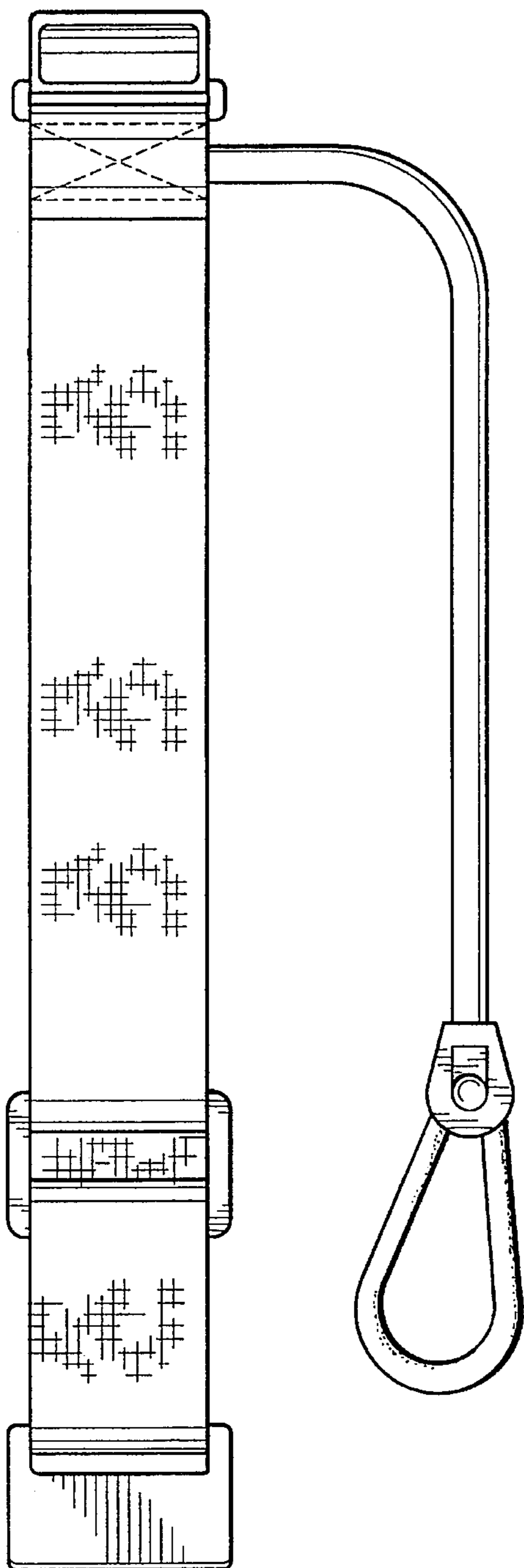


FIG. 4

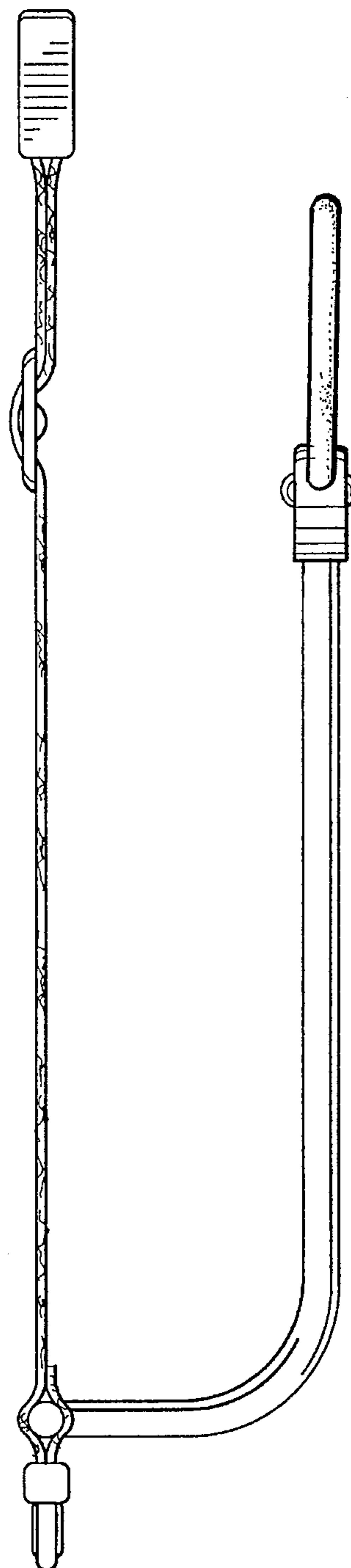


FIG. 5

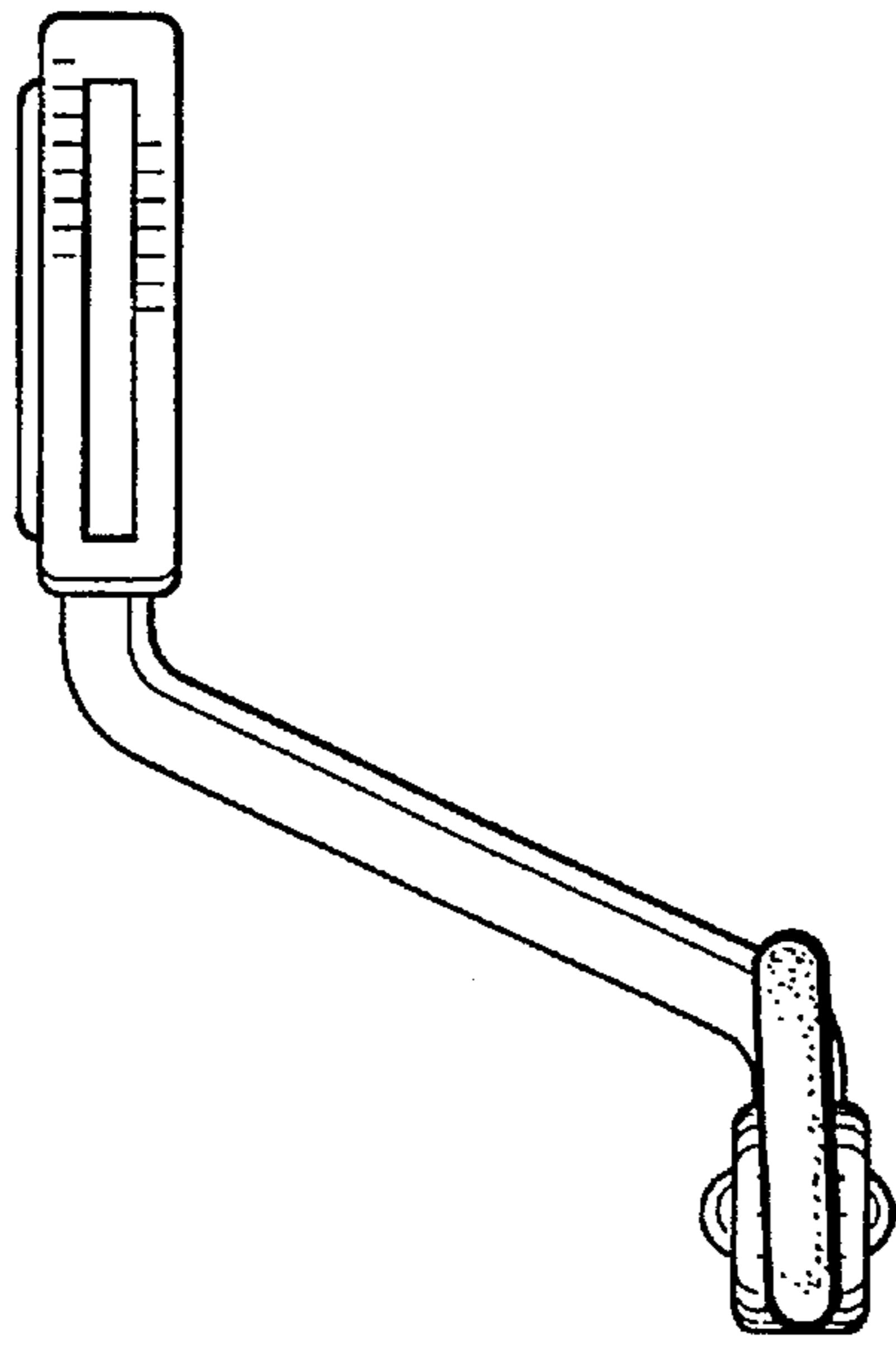


FIG. 7

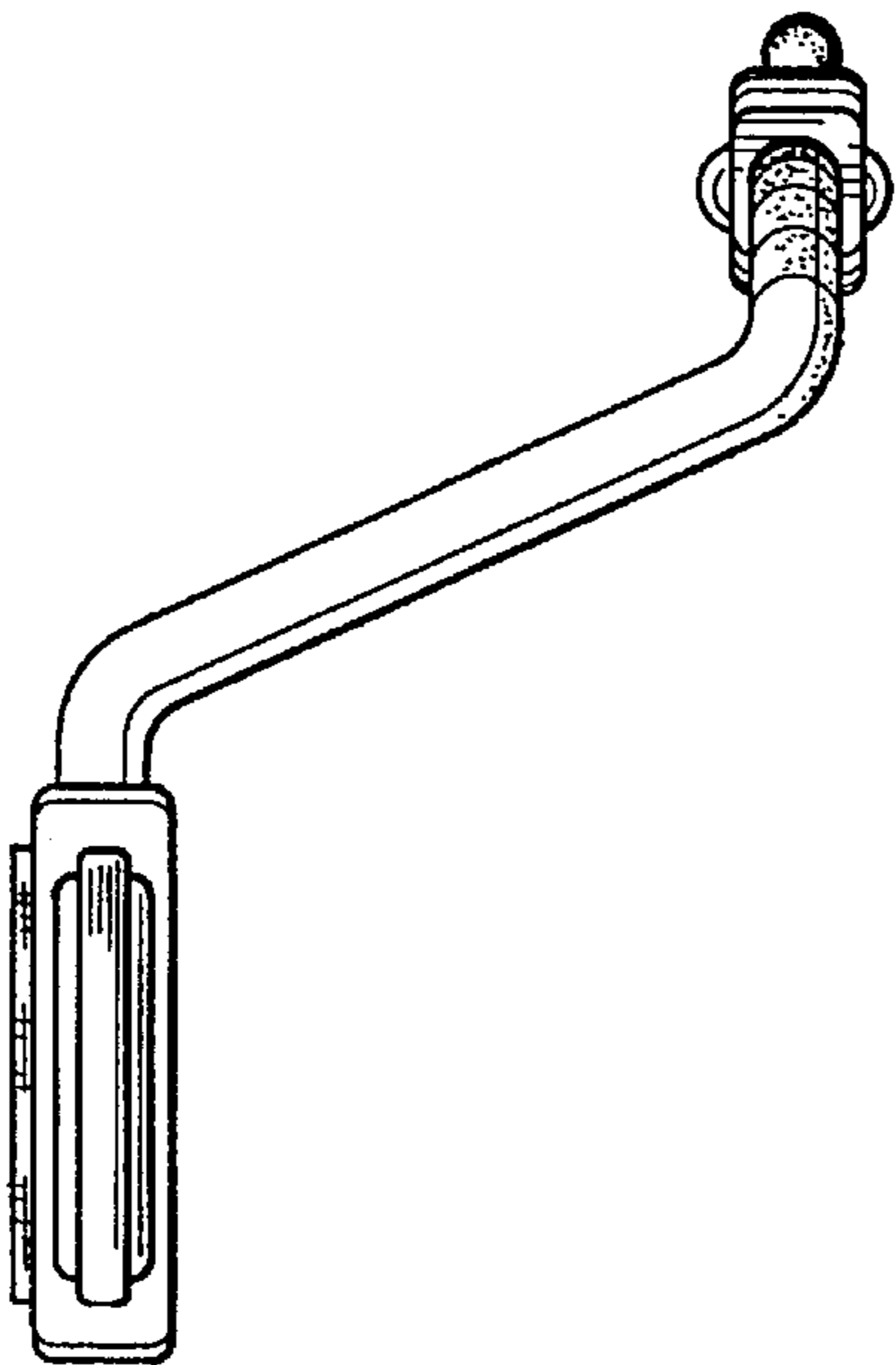


FIG. 6