



US00D377861S

United States Patent [19]

[11] Patent Number: **Des. 377,861**

Jacober

[45] Date of Patent: ****Feb. 11, 1997**

[54] **INHALER CARRYING CASE**

[75] Inventor: **Jeffrey M. Jacober**, Providence, R.I.

[73] Assignee: **MEDport, Inc.**, Providence, R.I.

[**] Term: **14 Years**

1,980,714 11/1934 Brady D3/285 X
 2,218,666 10/1940 Tamoschat 206/810 X
 4,429,793 2/1984 Ehmann 206/828 X
 4,513,866 4/1985 Thomas 206/570

Primary Examiner—Prabhakar G. Deshmukh
Attorney, Agent, or Firm—Lockwood, Alex, Fitzgibbon & Cummings

[21] Appl. No.: **50,666**

[22] Filed: **Feb. 21, 1996**

[52] **U.S. Cl.** **D3/203**

[58] **Field of Search** D3/203, 201, 285,
 D3/301, 289, 303, 901; 190/900, 903; 206/216,
 569, 570, 305, 363, 367, 438, 828, 810;
 D24/110, 121, 224, 232; D9/337

[57] CLAIM

The ornamental design for an inhaler carrying case, as shown and described.

DESCRIPTION

FIG. 1 is a perspective view of an inhaler carrying case showing my design;
 FIG. 2 is an elevational view of one end thereof;
 FIG. 3 is an elevational view of the other end thereof;
 FIG. 4 is a top plan view thereof;
 FIG. 5 is a bottom plan view thereof; and,
 FIG. 6 is a side elevational view thereof.
 The broken lines represent stitch lines.

[56] **References Cited**
 U.S. PATENT DOCUMENTS

D. 101,439 10/1936 Doppelt D3/301
 D. 106,132 9/1937 Doppelt D3/301
 D. 238,979 2/1976 Perry et al. D3/203
 D. 295,116 4/1988 Mensing D3/285
 1,557,382 10/1925 Sundback 206/810 X

1 Claim, 2 Drawing Sheets

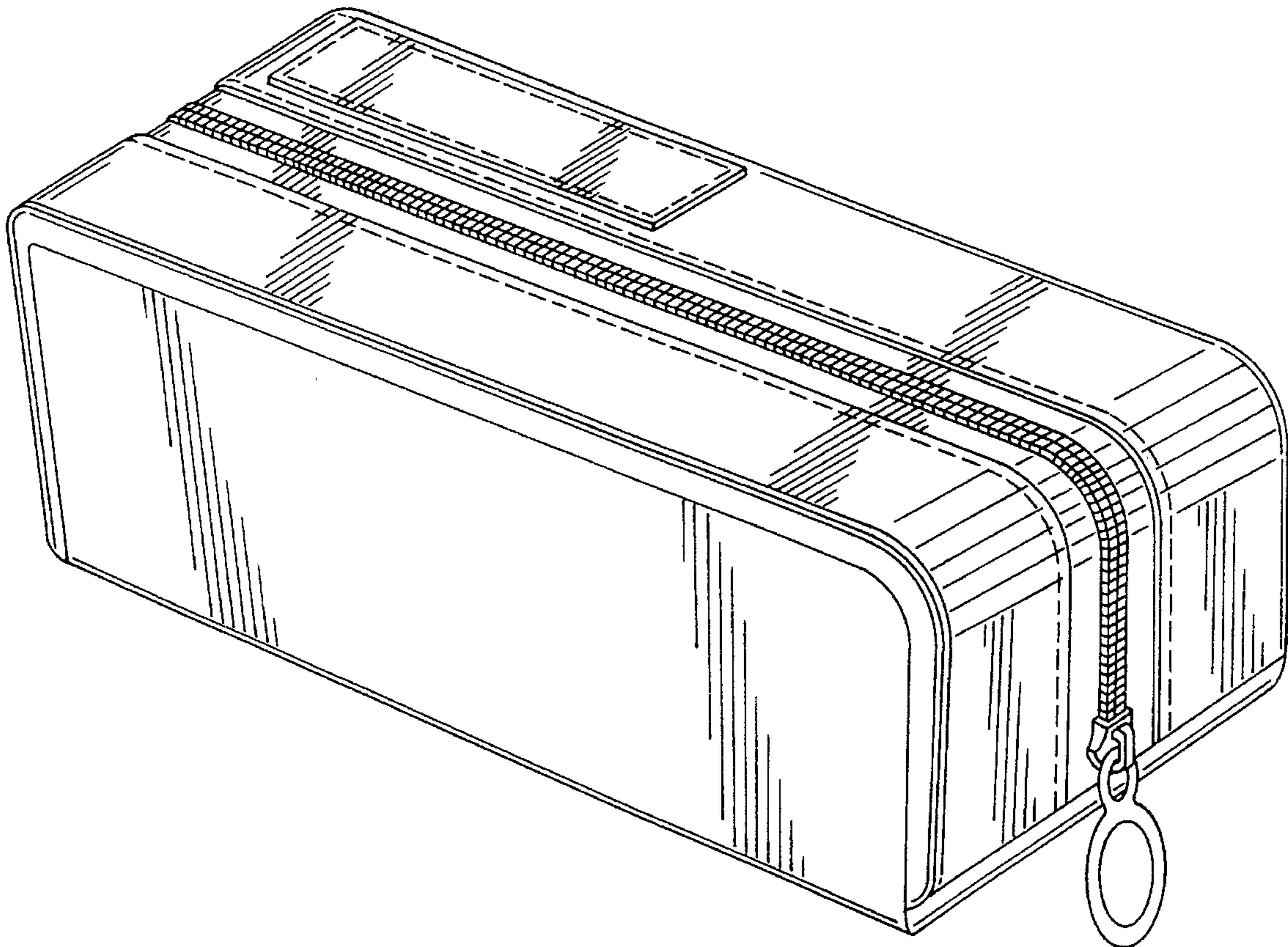


FIG. 1

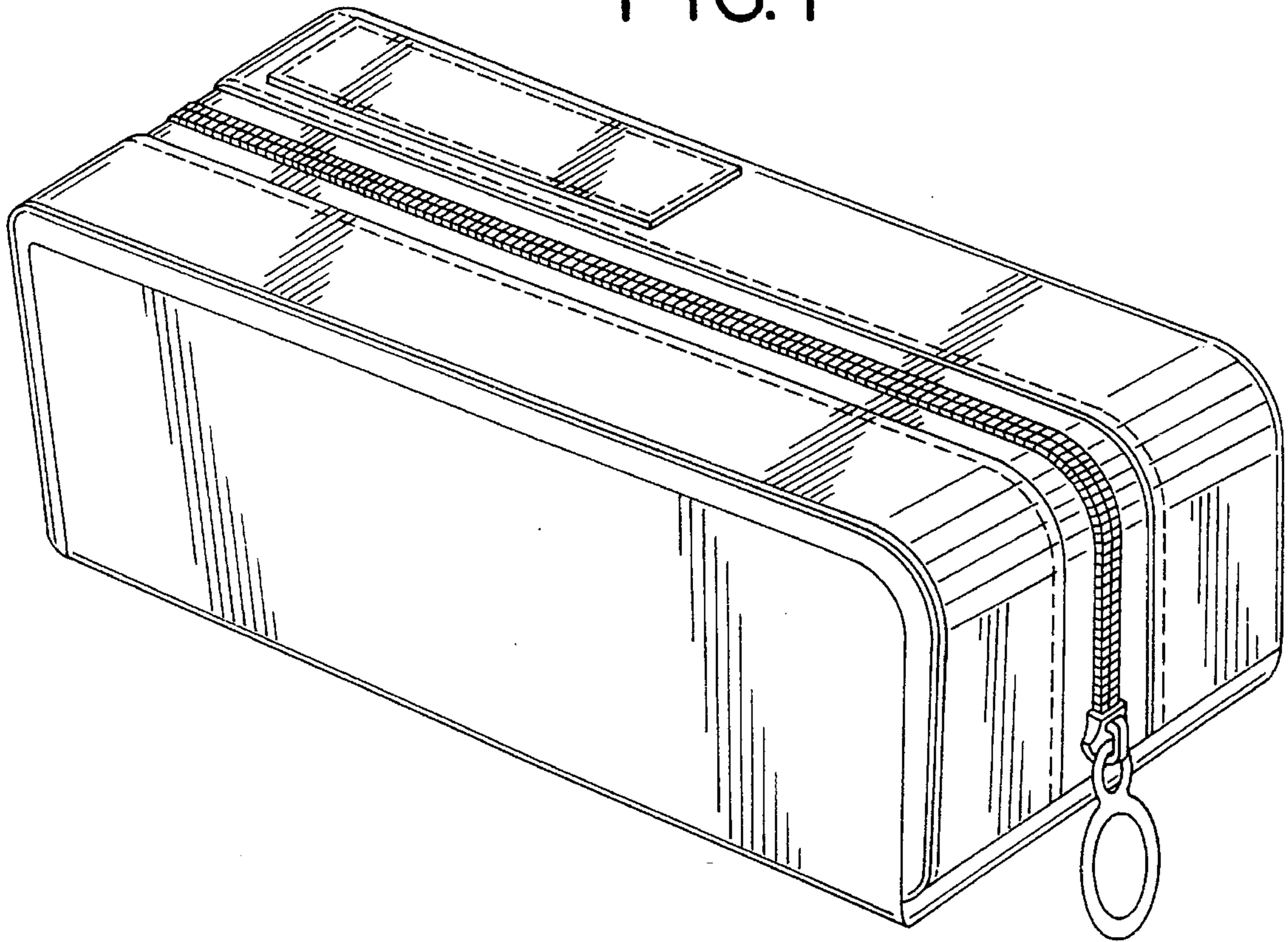


FIG. 2

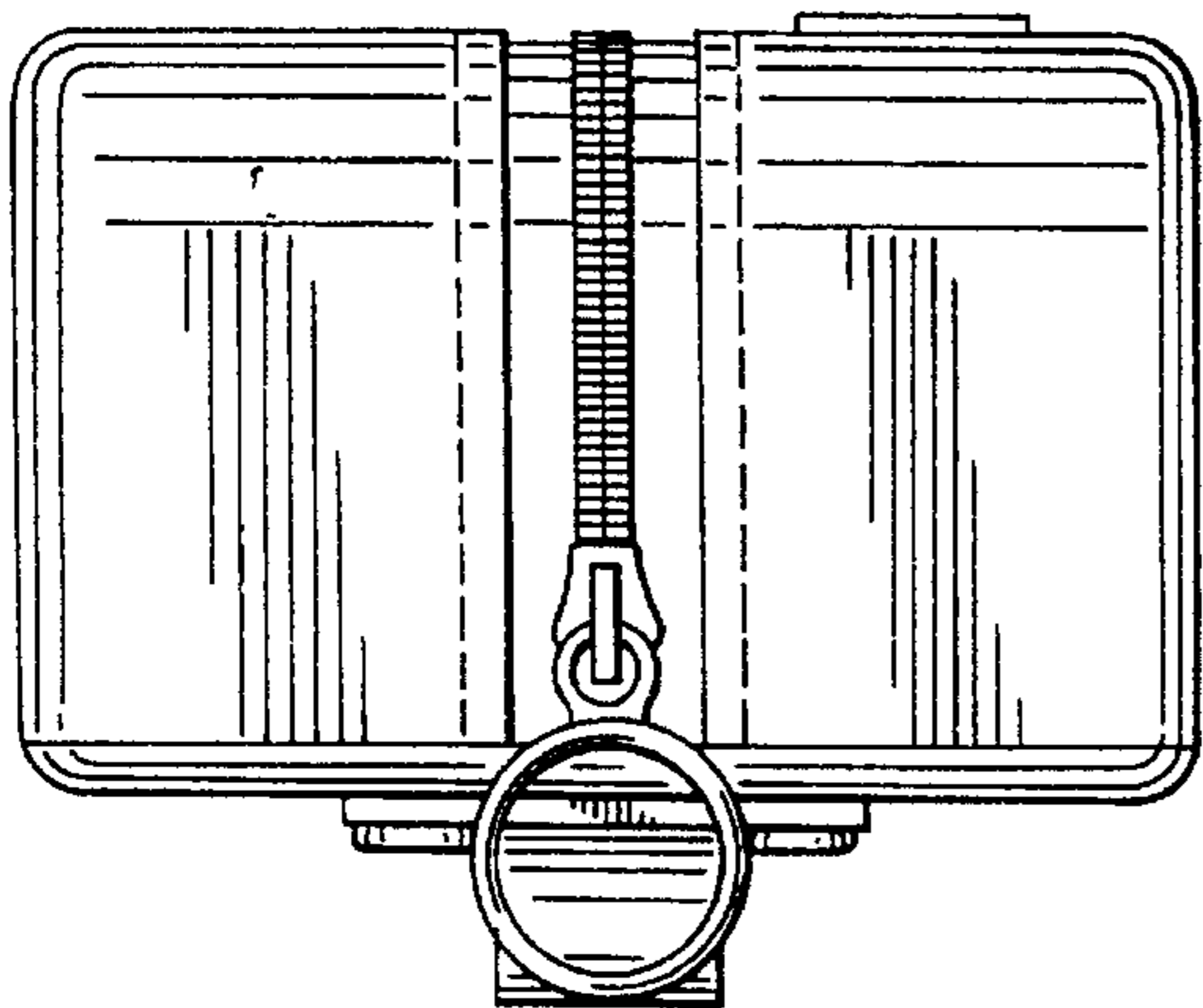


FIG. 3

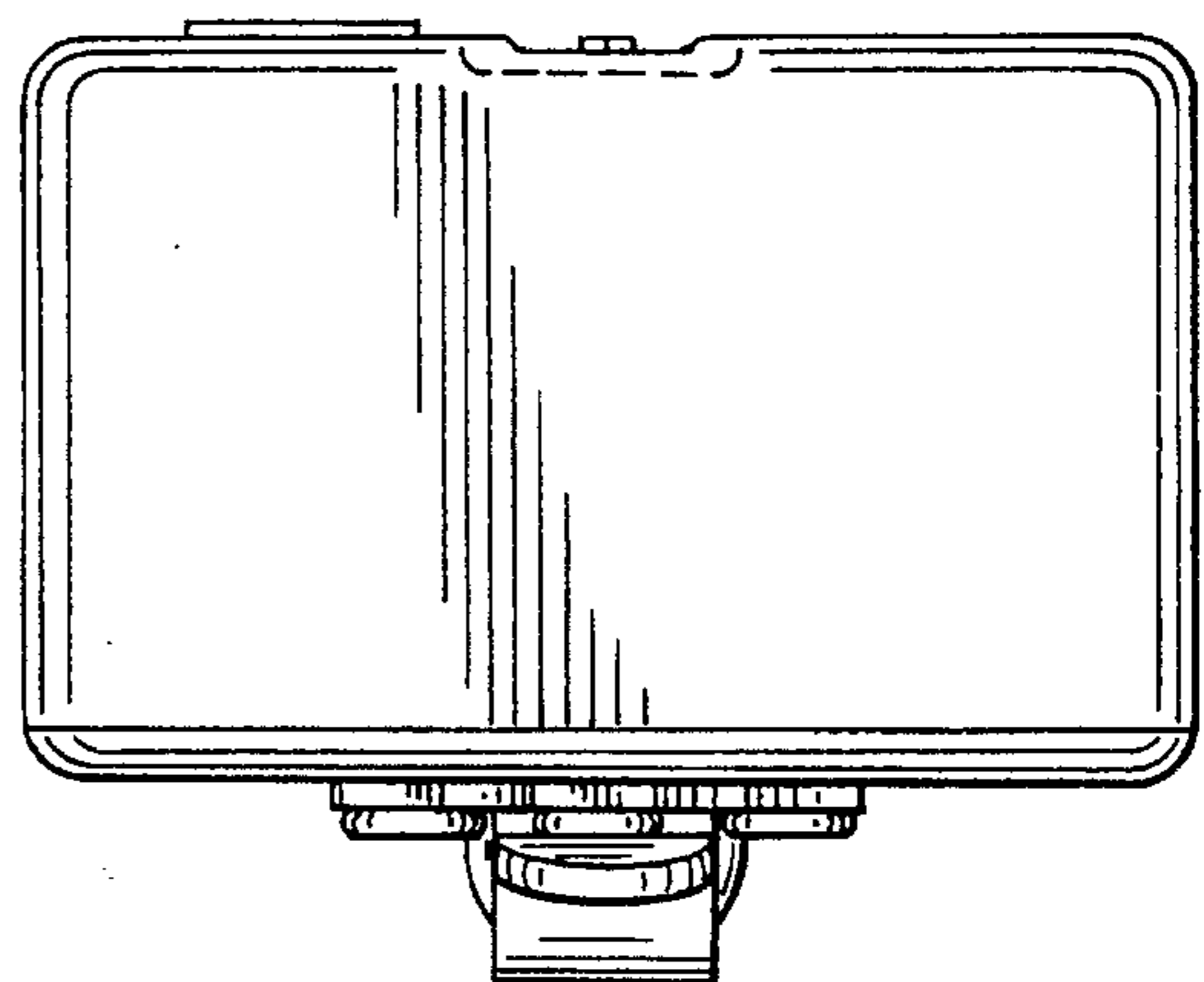


FIG. 4

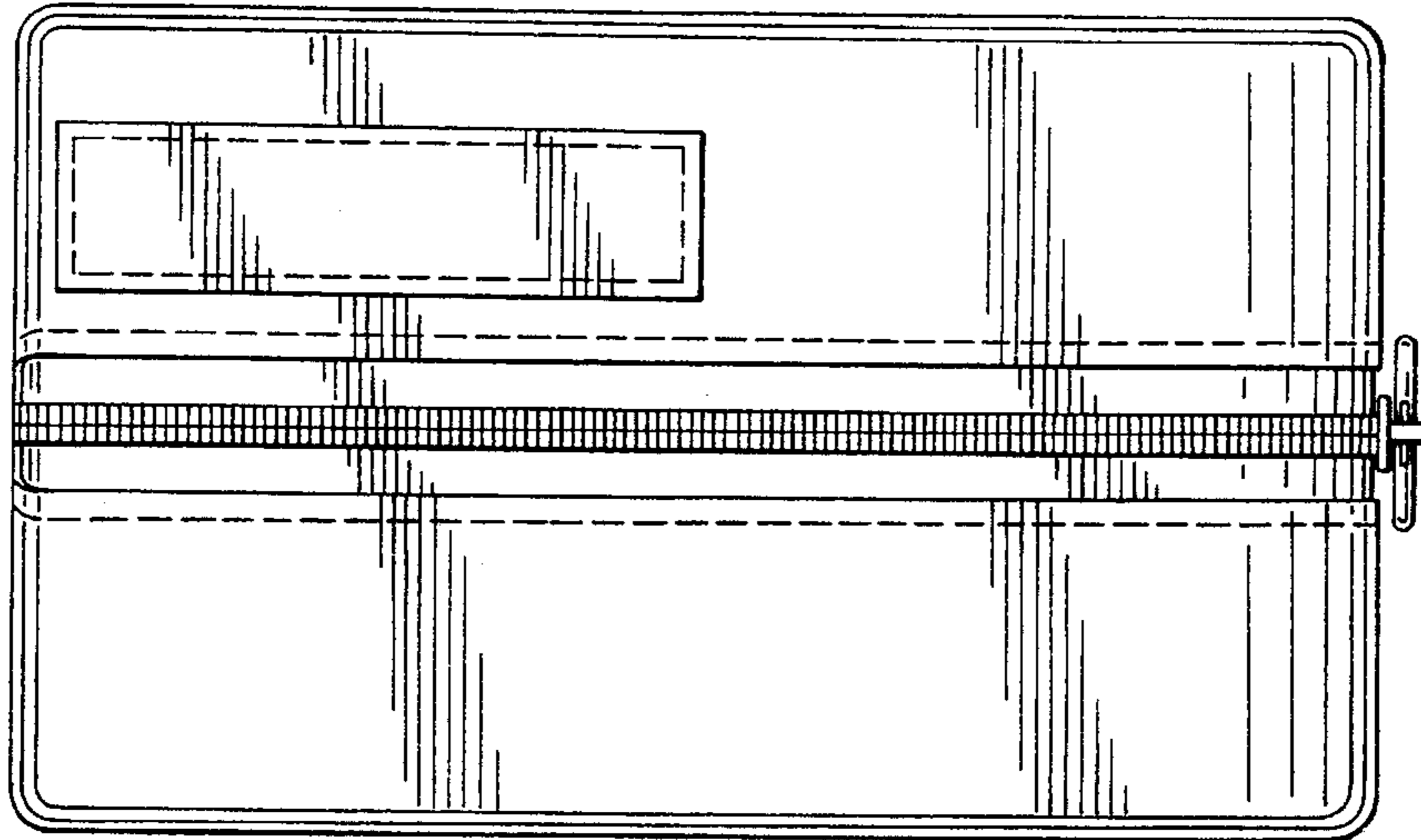


FIG. 5

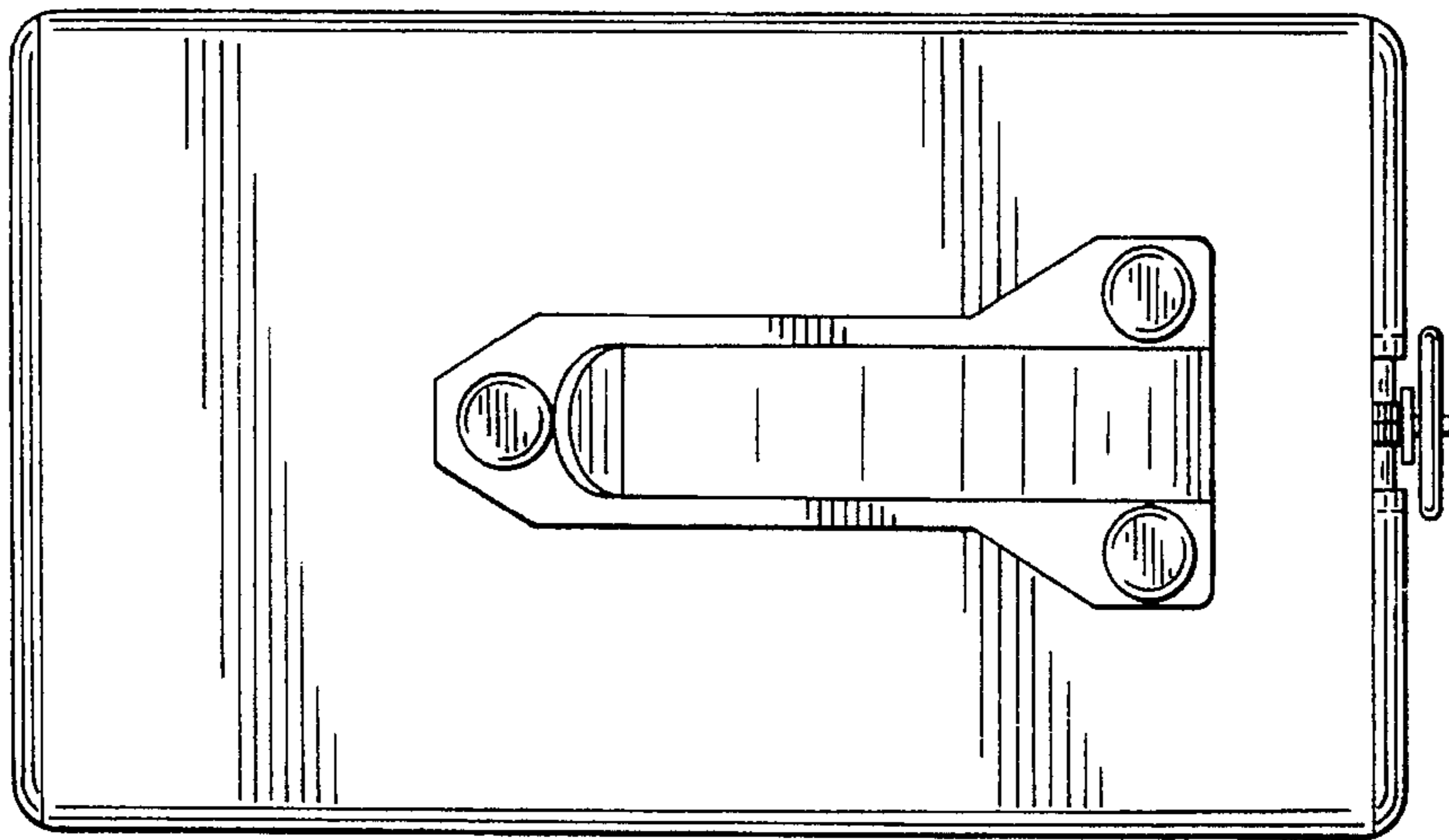


FIG. 6

