



US00D377855S

# United States Patent [19]

Labarbera

[11] Patent Number: **Des. 377,855**

[45] Date of Patent: **\*\*Feb. 4, 1997**

[54] **CARPET CLEANER**

[76] Inventor: **John F. Labarbera**, 12675 Danielson Ct. #44, Poway, Calif. 92064

[\*\*] Term: **14 Years**

[21] Appl. No.: **48,696**

[22] Filed: **Jan. 9, 1996**

[52] U.S. Cl. .... **D32/21**

[58] Field of Search ..... D32/21, 23, 15, D32/16; 15/327.1, 327.2, 327.6, 320, 321, 322, 347

[56] **References Cited**

**U.S. PATENT DOCUMENTS**

D. 258,963	4/1981	Phillips	.....	D32/16
D. 298,479	11/1988	Jacobs et al.	.....	D32/16
D. 318,543	7/1991	Shero	.....	D32/23
D. 337,184	7/1993	Bothun et al.	.....	D32/21

D. 337,185	7/1993	Wulff	.....	D32/15
D. 343,706	1/1994	Gurstein	.....	D32/21
D. 344,374	2/1994	Wulff	.....	D32/21
D. 345,034	3/1994	Fitzwater	.....	D32/21

*Primary Examiner*—Ruth McNroy  
*Attorney, Agent, or Firm*—Willie Krawitz

[57] **CLAIM**

The ornamental design for a carpet cleaner, as shown.

**DESCRIPTION**

FIG. 1 is a front elevation view of a carpet cleaner showing my new design;  
FIG. 2 is a right side elevation view thereof;  
FIG. 3 is a rear elevation view thereof;  
FIG. 4 is a left side elevation view thereof;  
FIG. 5 is a plan view thereof; and,  
FIG. 6 is a bottom view thereof.

**1 Claim, 2 Drawing Sheets**

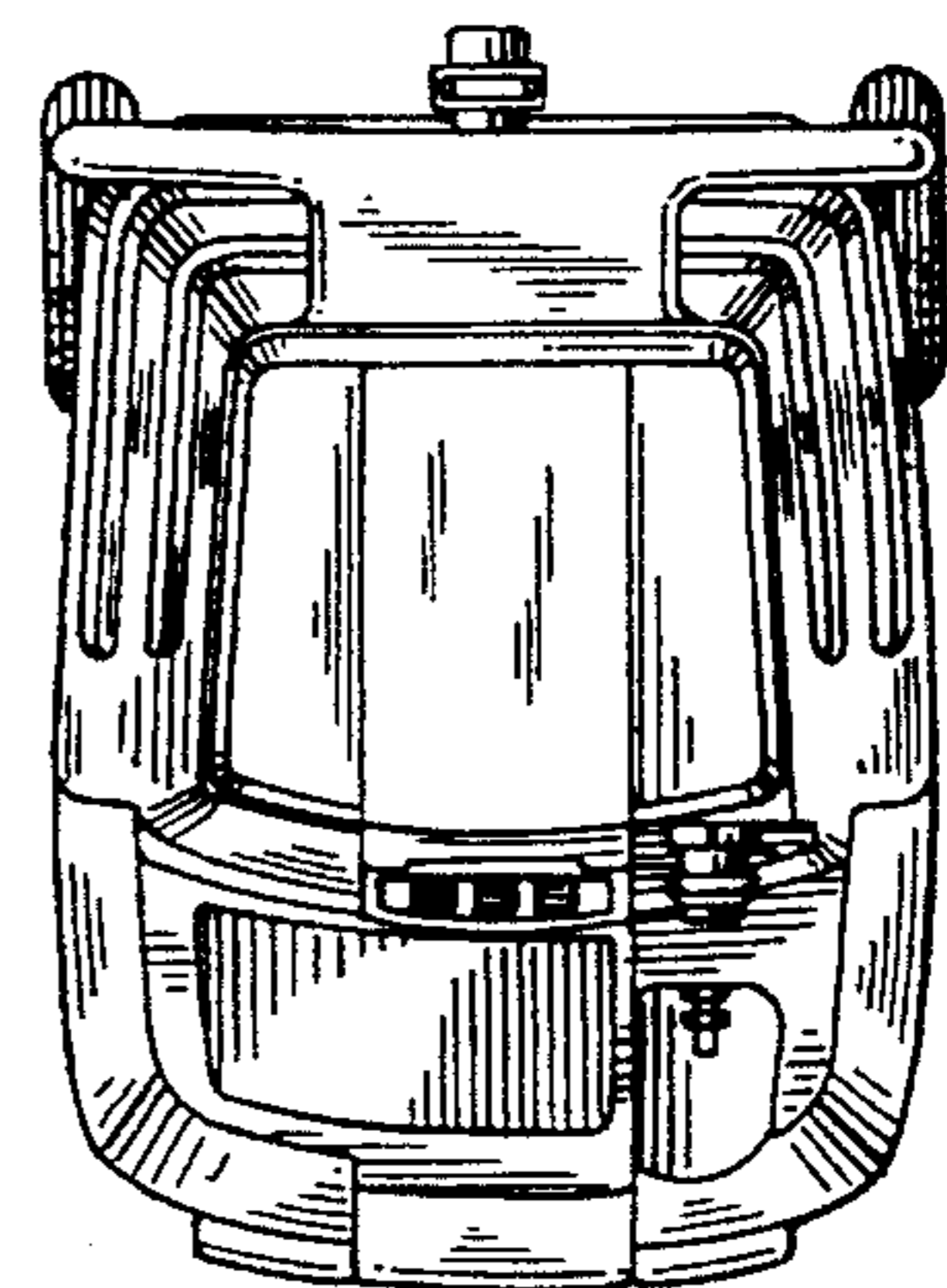
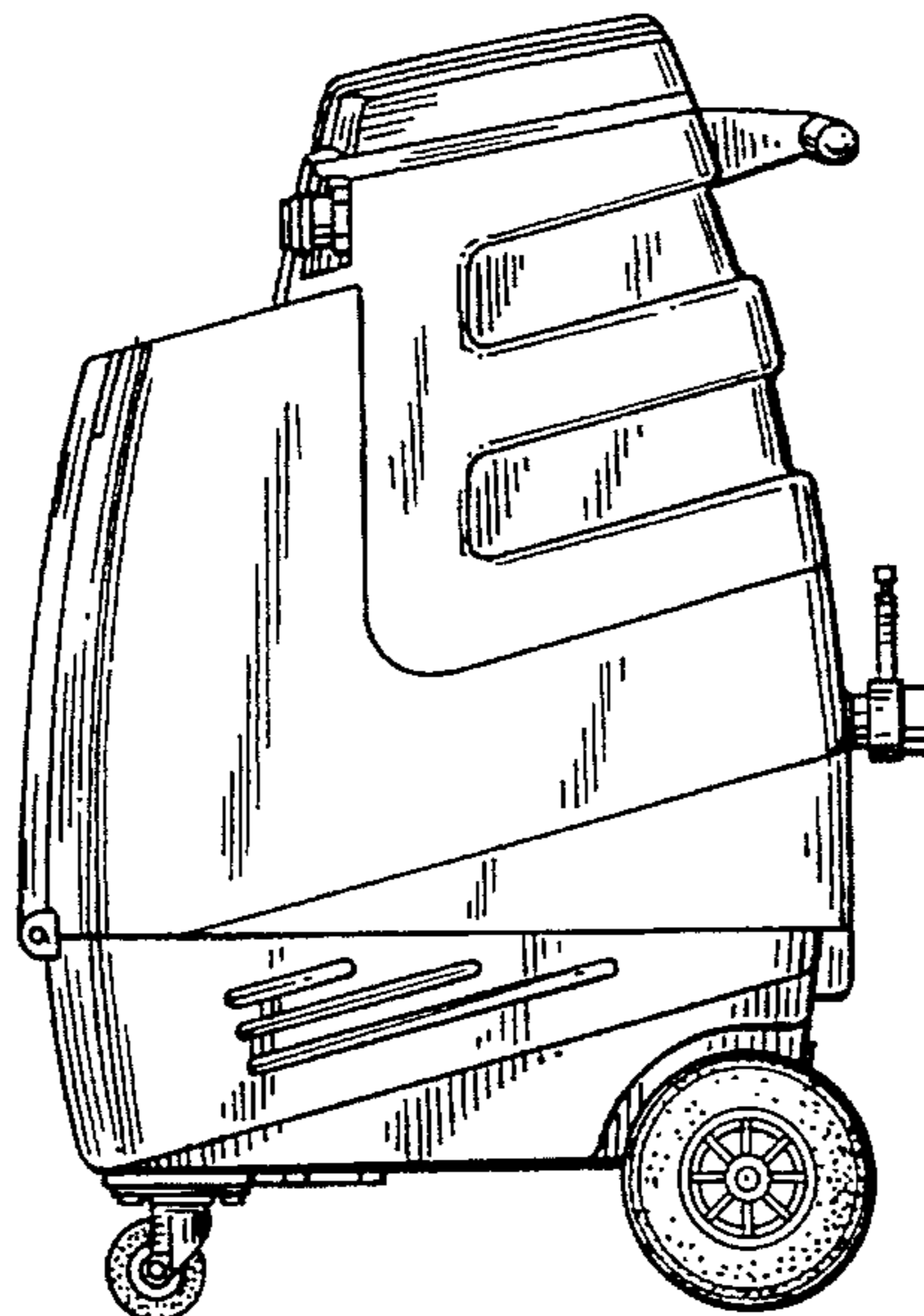
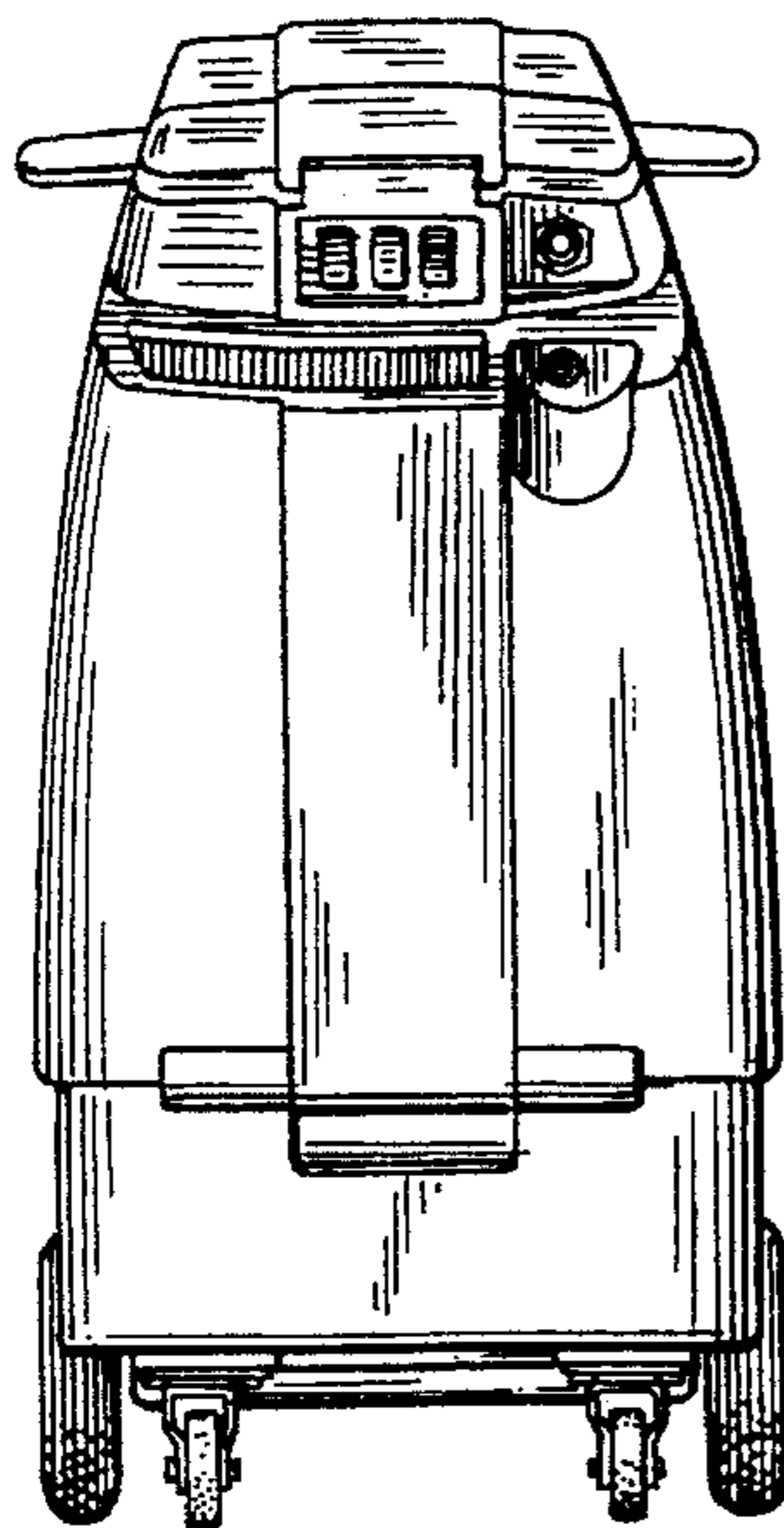


FIG. 3

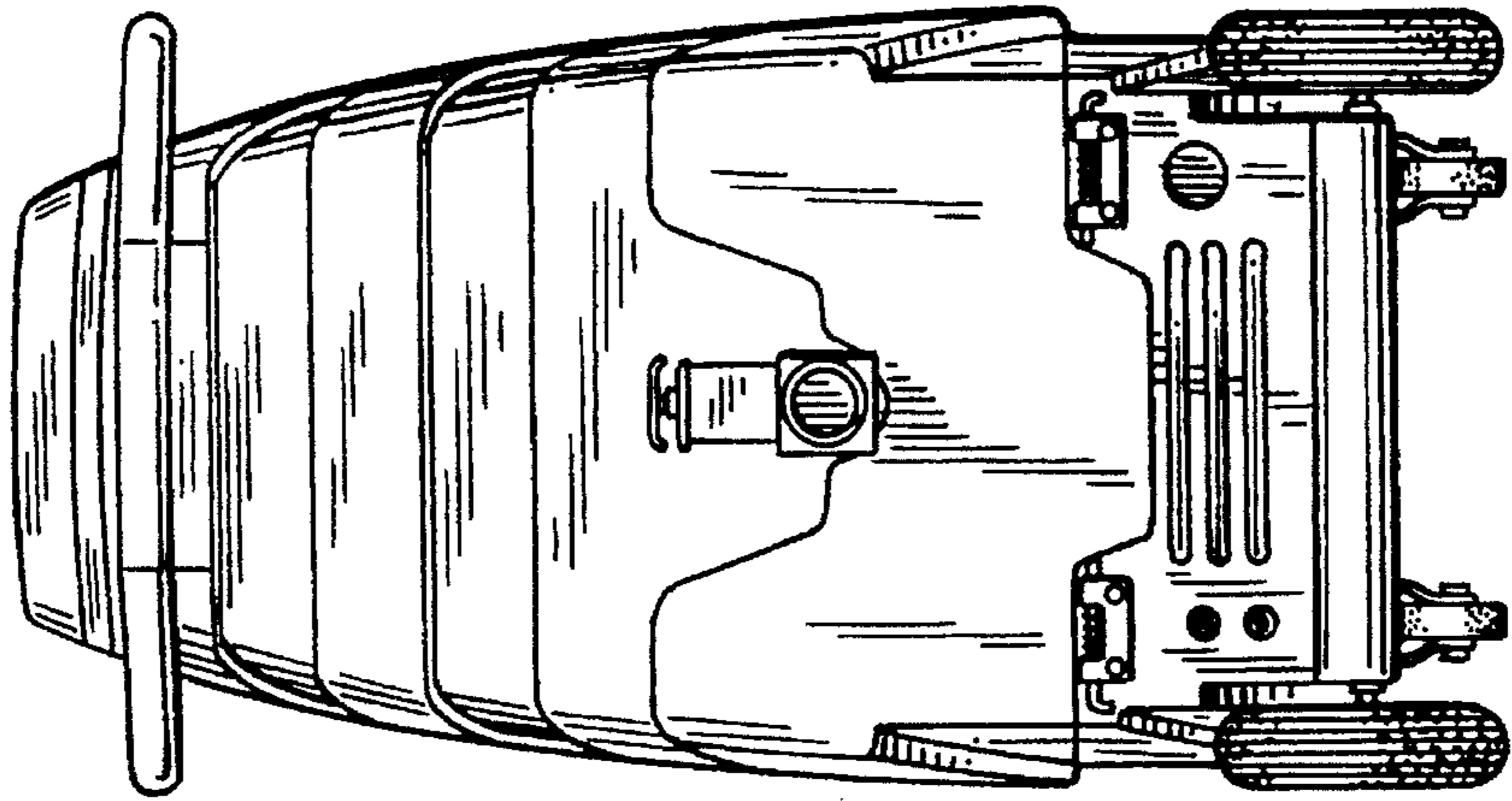


FIG. 2

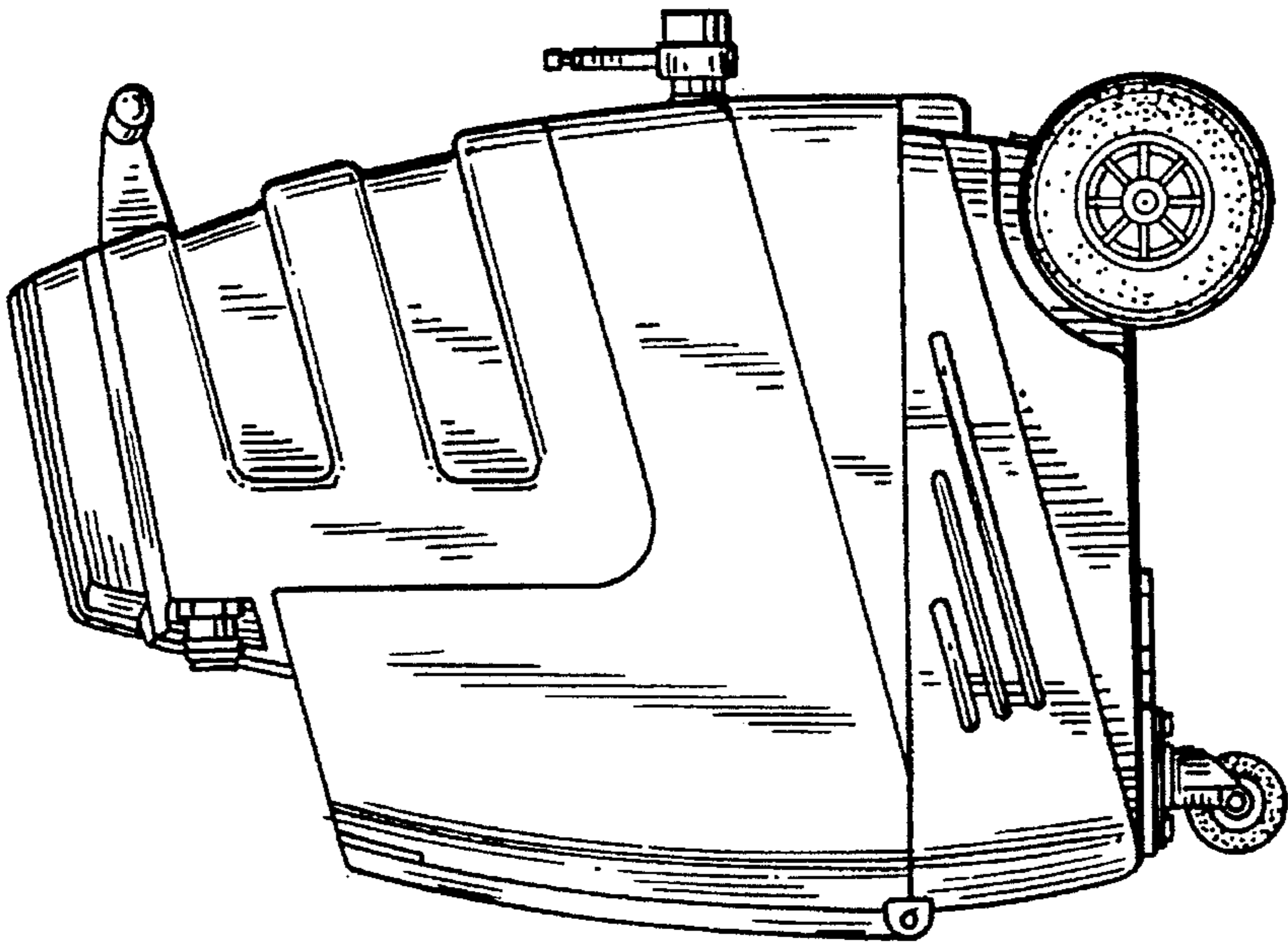


FIG. 1

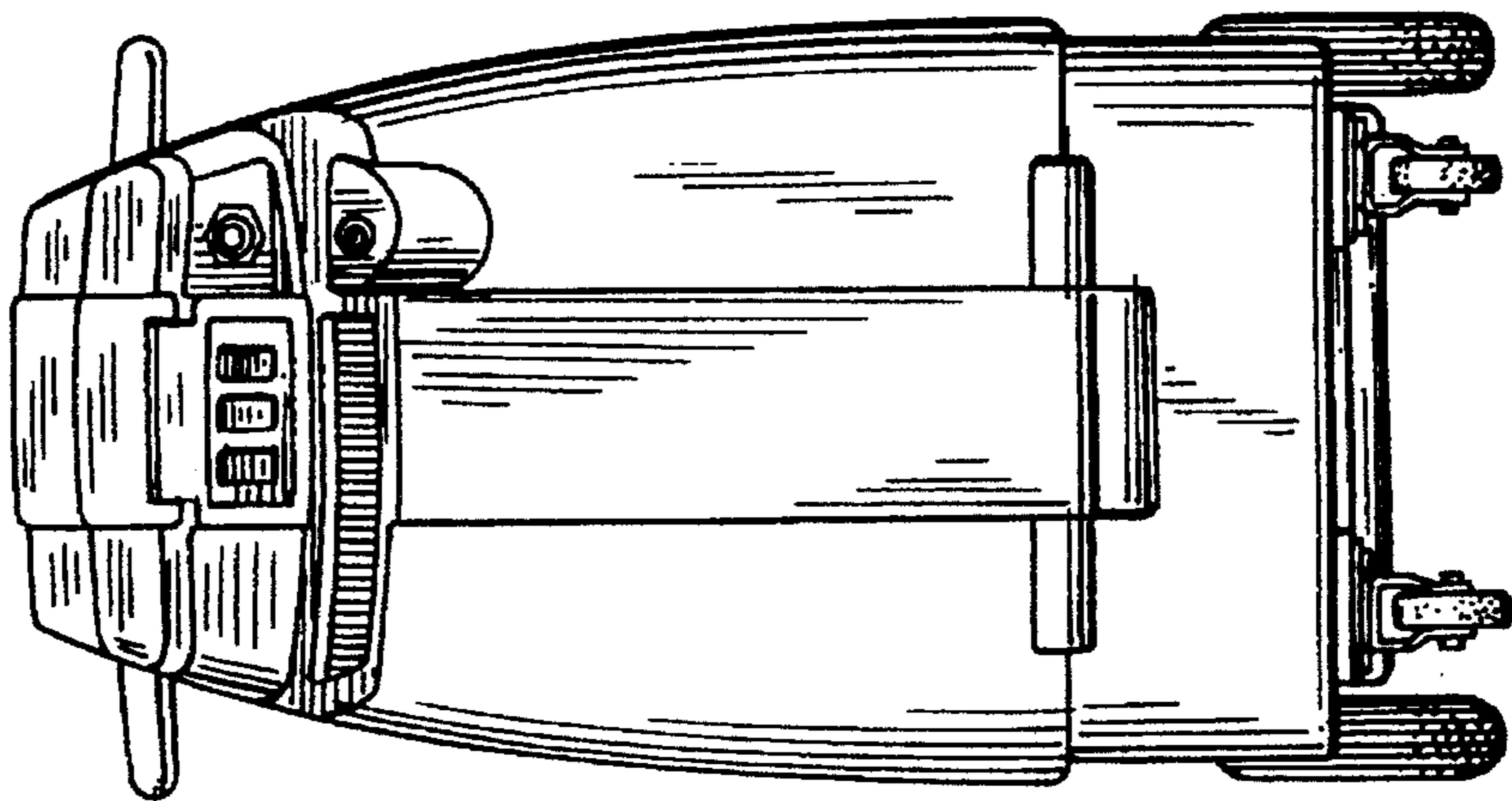


FIG. 4

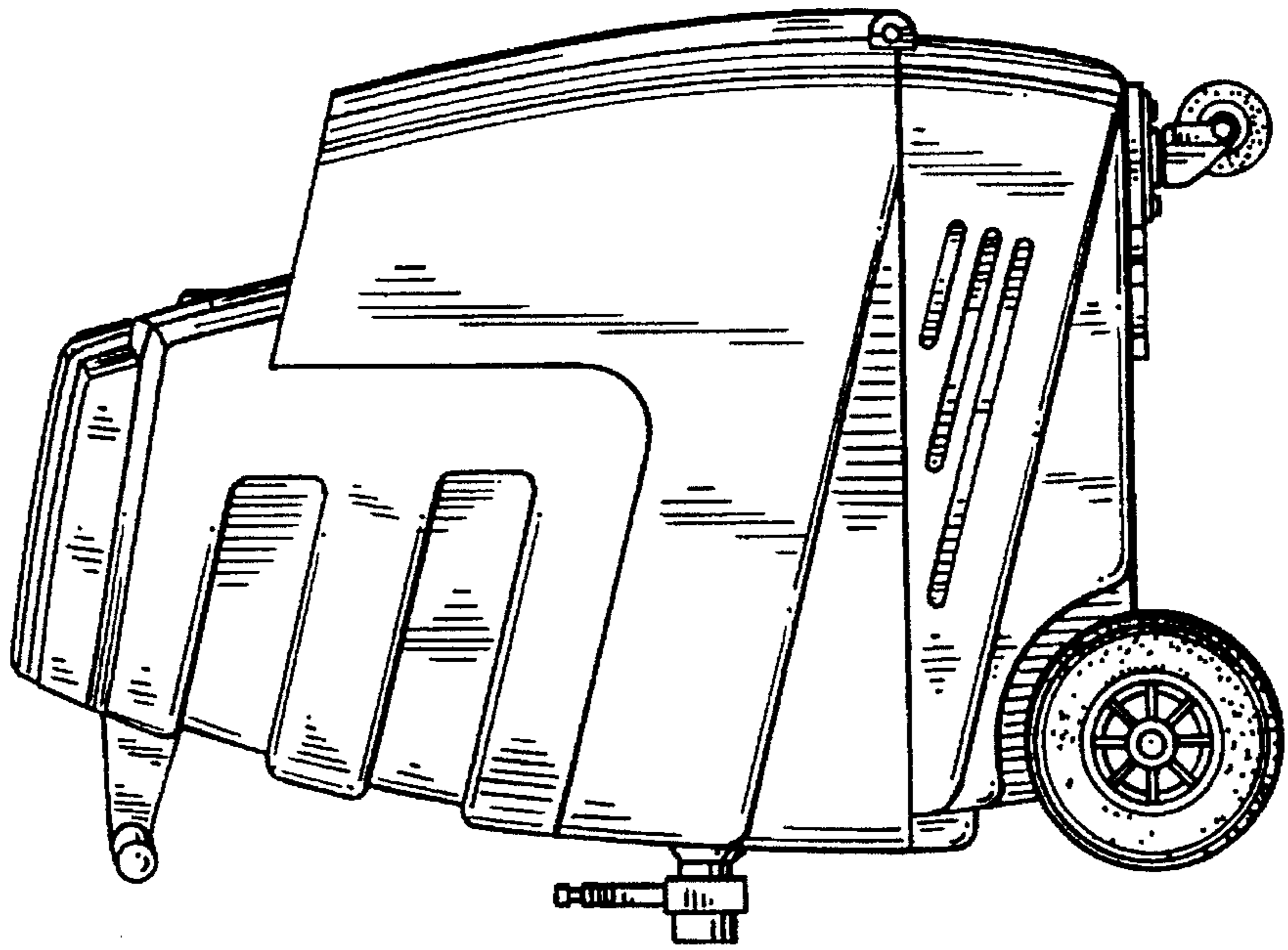


FIG. 5

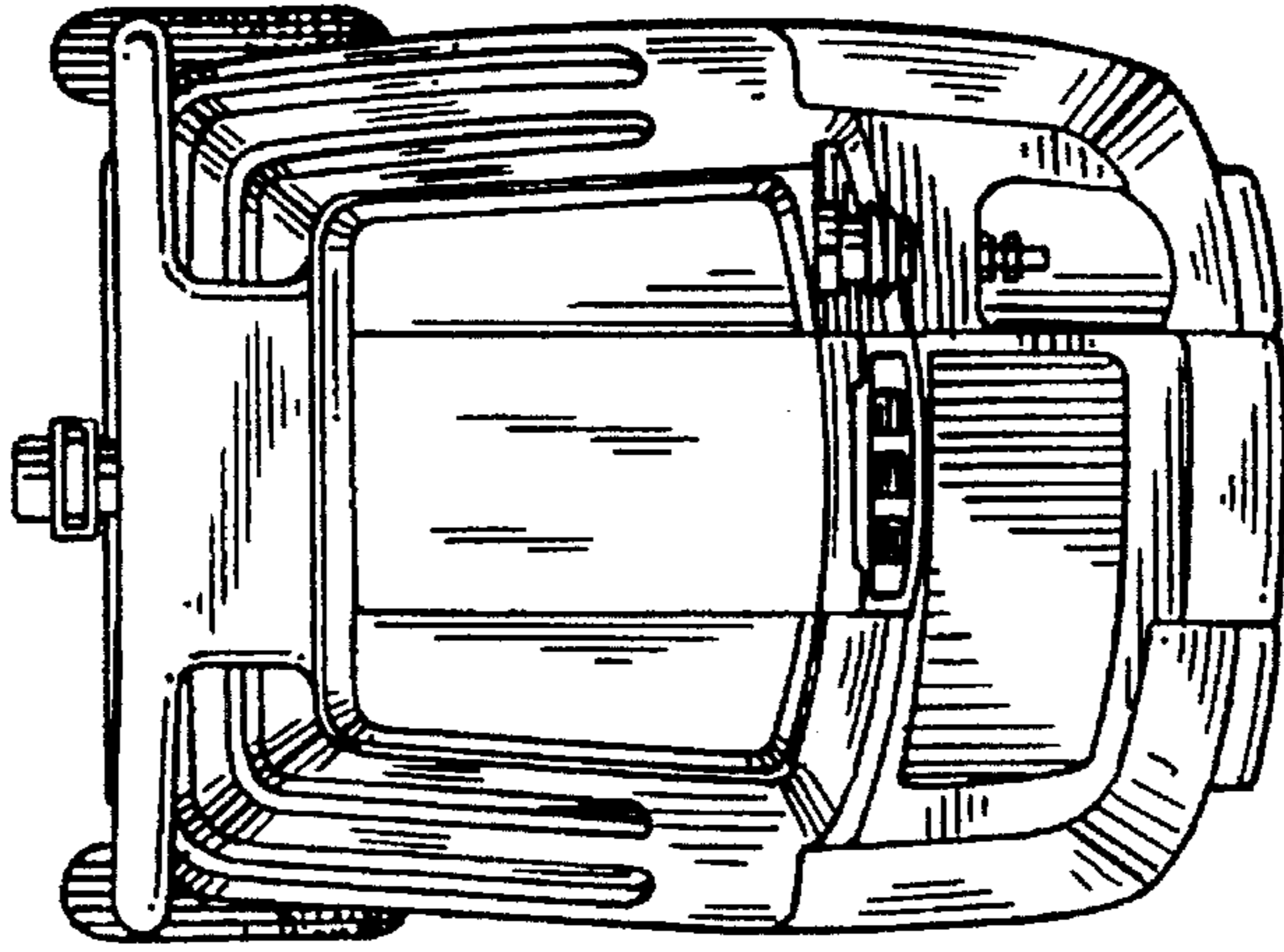


FIG. 6

