



US00D377853S

**United States Patent** [19]  
**Sparks**

[11] **Patent Number: Des. 377,853**

[45] **Date of Patent: \*\*Feb. 4, 1997**

[54] **DISHWASHER FRONT PANEL**

5,358,326 10/1994 Cherry et al. .

[75] **Inventor: Walton E. Sparks, Dublin, Ohio**

**OTHER PUBLICATIONS**

[73] **Assignee: White Consolidated Industries, Inc.,  
Cleveland, Ohio**

Kitchen and Bath Business; supplement p. 7; dishwasher on left of page.

[\*\*] **Term: 14 Years**

*Primary Examiner*—Philip S. Hyder  
*Assistant Examiner*—Mitchell I. Siegel  
*Attorney, Agent, or Firm*—Pearne, Gordon, McCoy & Granger

[21] **Appl. No.: 46,016**

[22] **Filed: Nov. 6, 1995**

[57] **CLAIM**

[52] **U.S. Cl. .... D32/3**

The ornamental design for a dishwasher front panel, as shown and described.

[58] **Field of Search** ..... D32/2, 3; 134/56 D,  
134/57 D, 57 DL, 58 DL; 312/108, 109,  
251.1

**DESCRIPTION**

[56] **References Cited**

FIG. 1 is a front perspective view of a dishwasher front panel, showing my new design;

FIG. 2 is a front elevational view thereof;

FIG. 3 is a right side elevational view thereof; and,

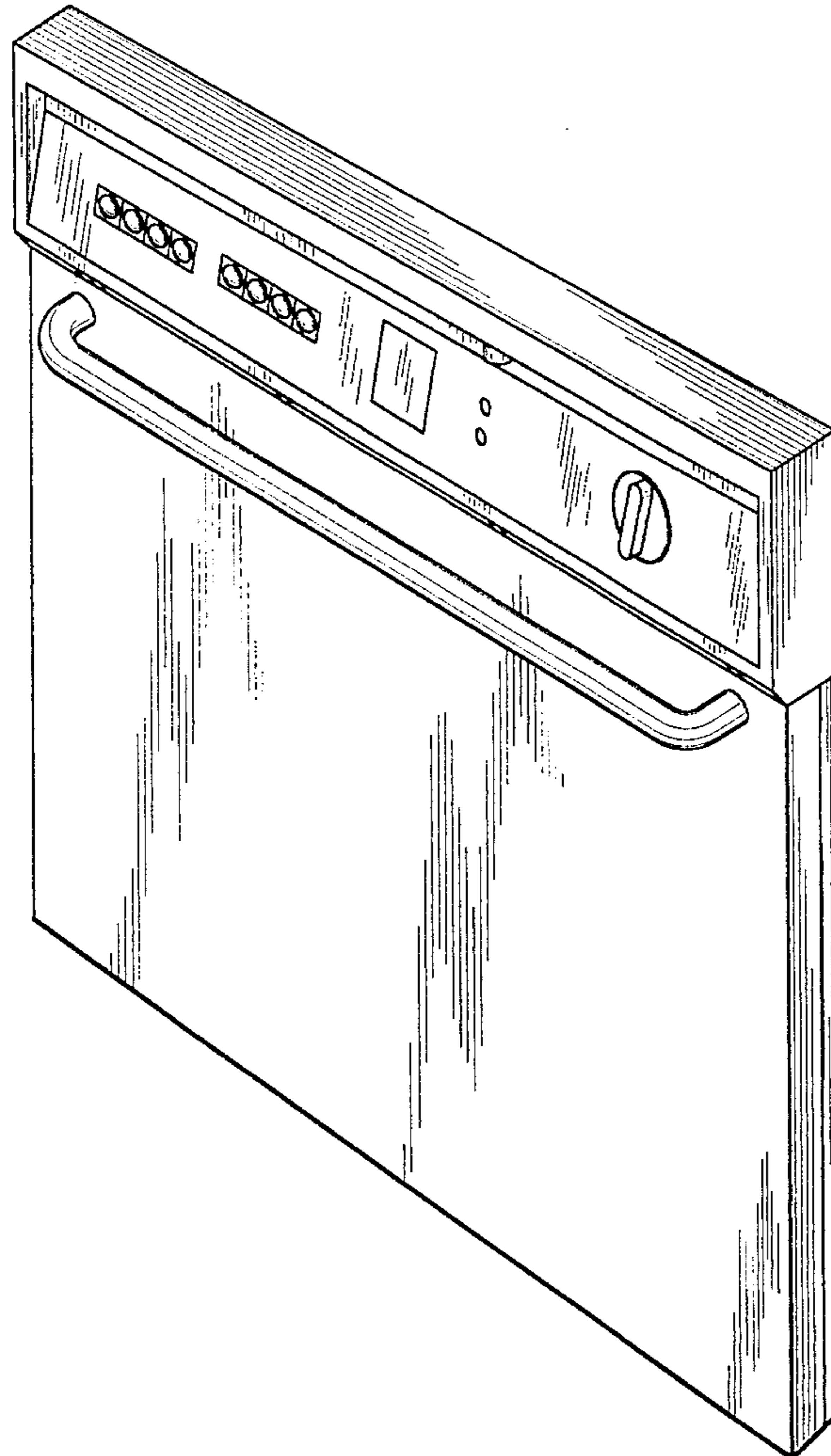
FIG. 4 is a top plan view thereof.

The undisclosed rear side does not form part of the claimed design.

**U.S. PATENT DOCUMENTS**

- D. 183,303 8/1958 Dushek .
- D. 191,224 8/1961 Fay .
- D. 320,487 10/1991 Marks et al. .
- D. 320,489 10/1991 Marks et al. .
- 3,279,481 10/1966 Sones et al. .... 134/57 D
- 4,732,431 3/1988 Mason .

**1 Claim, 2 Drawing Sheets**



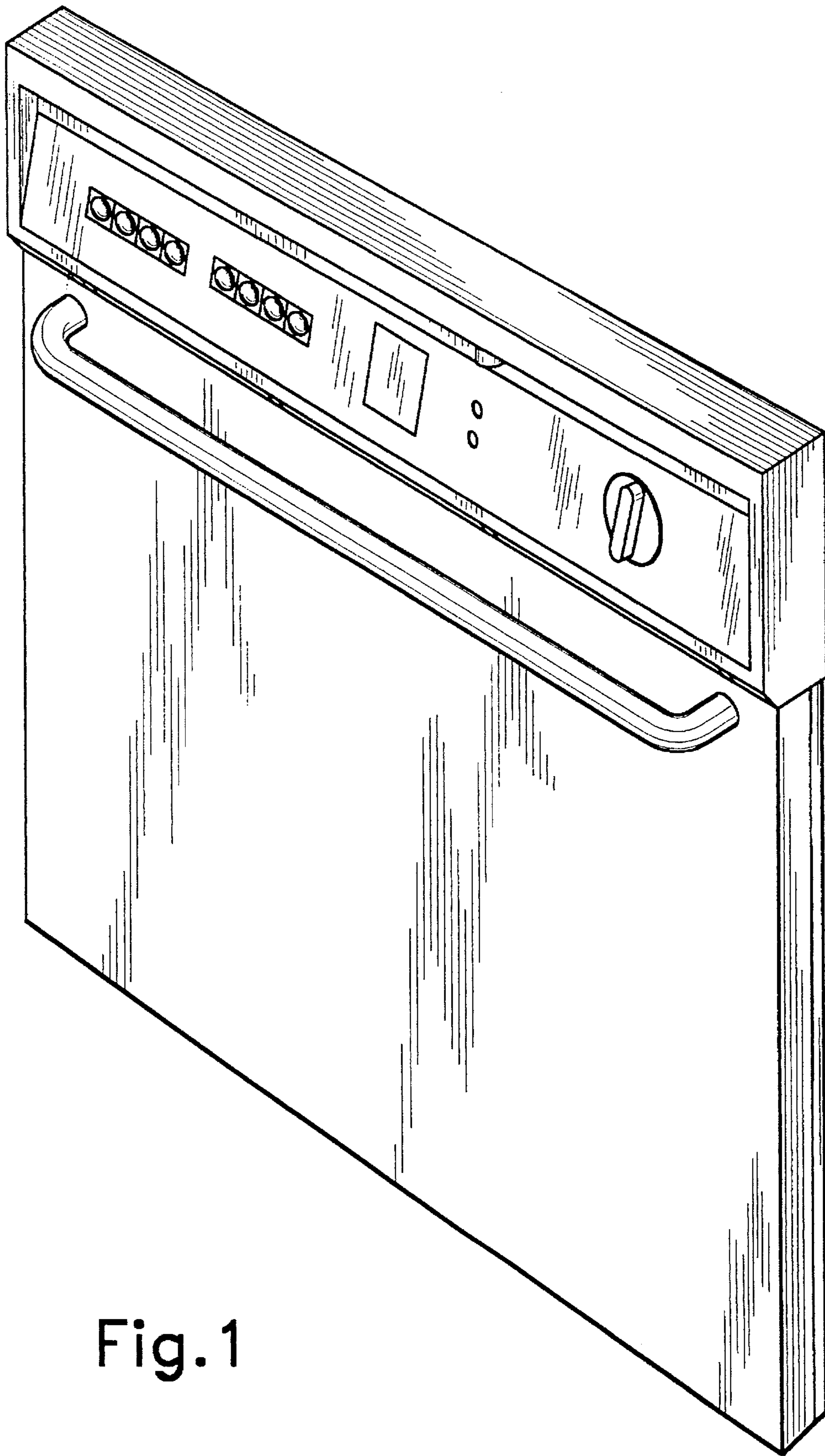


Fig. 1

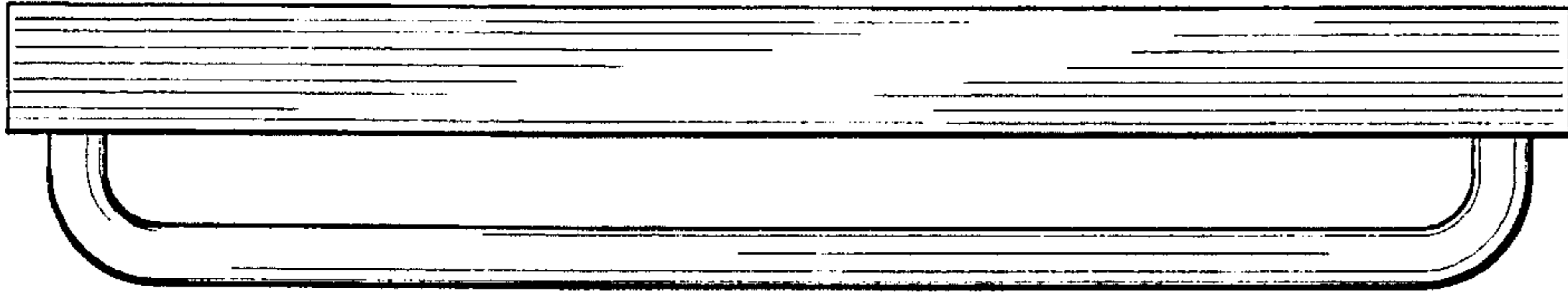


Fig.4

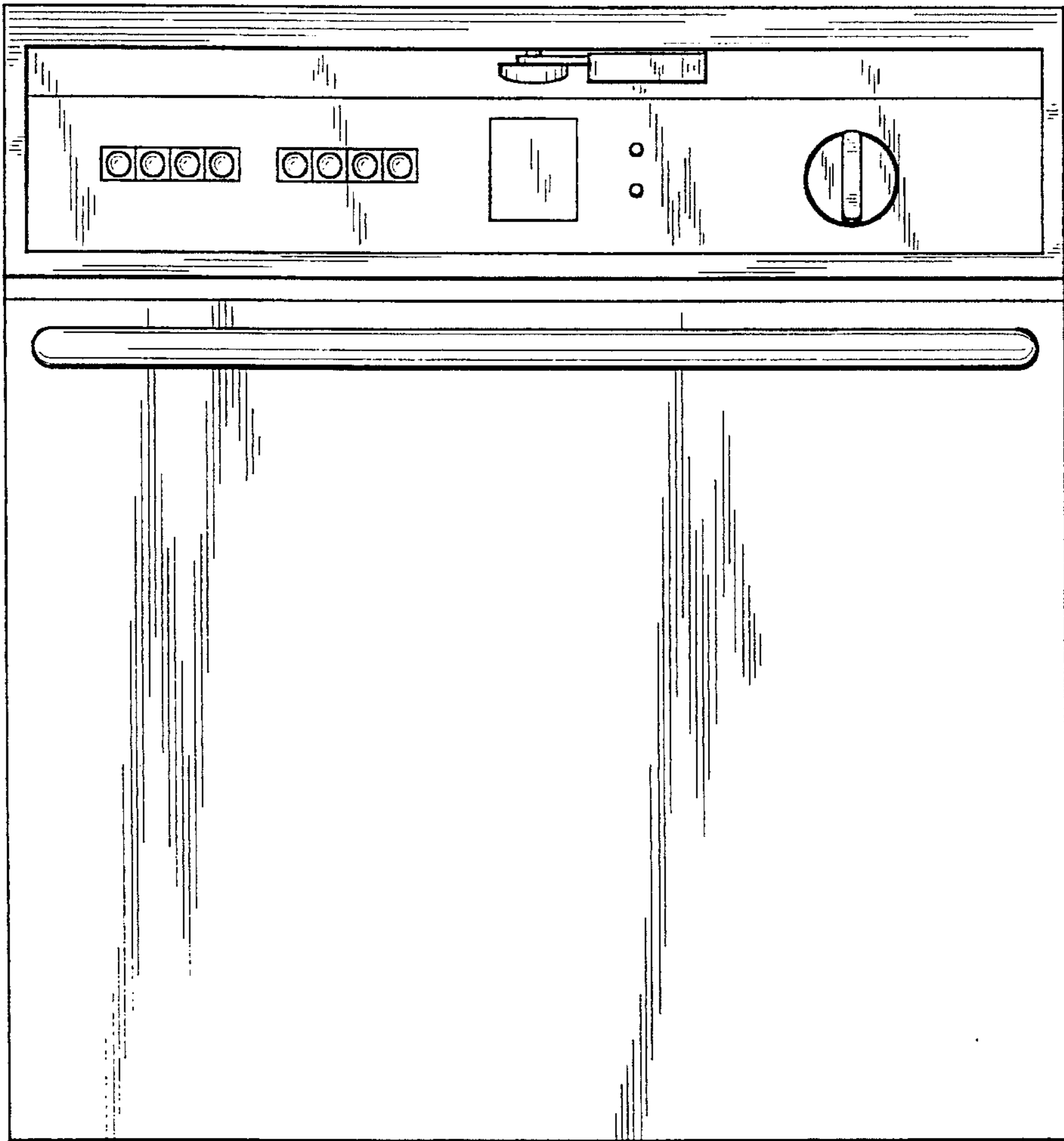


Fig.2

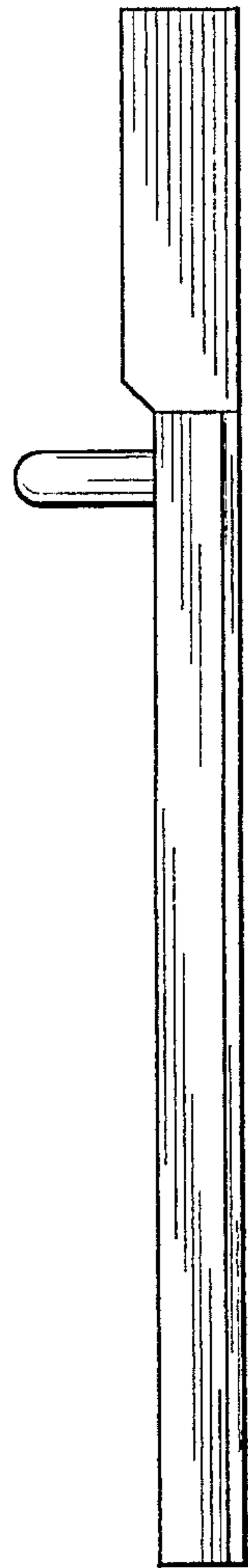


Fig.3