



US00D377850S

# United States Patent [19]

Smith et al.

[11] Patent Number: **Des. 377,850**

[45] Date of Patent: **\*\*Feb. 4, 1997**

[54] SAFETY SHIELD

4,286,170 8/1981 Moti ..... 2/9  
5,500,954 3/1996 Smith et al. .... 2/9

[75] Inventors: **Jack V. Smith**, St. Petersburg; **Jesse M. Carter**, Tampa, both of Fla.

*Primary Examiner*—Ruth McInroy  
*Attorney, Agent, or Firm*—Larson & Larson, P.A.; James E. Larson

[73] Assignee: **Chimera Research & Chemical, Inc.**, Tampa, Fla.

[57] **CLAIM**

[\*\*] Term: **14 Years**

The ornamental design for a safety shield, as shown and described.

[21] Appl. No.: **43,886**

**DESCRIPTION**

[22] Filed: **Sep. 13, 1995**

[52] U.S. Cl. .... **D29/108**

[58] Field of Search ..... D29/108, 109, D29/110; 2/2, 9, 11, 15, 424; 128/857

FIG. 1 is a perspective view of a safety shield showing our new design;

FIG. 2 is a rear elevational view thereof;

FIG. 3 is a front elevational view thereof;

FIG. 4 is a left side elevational view thereof;

FIG. 5 is a right side elevational view thereof;

FIG. 6 is a top plan view thereof; and,

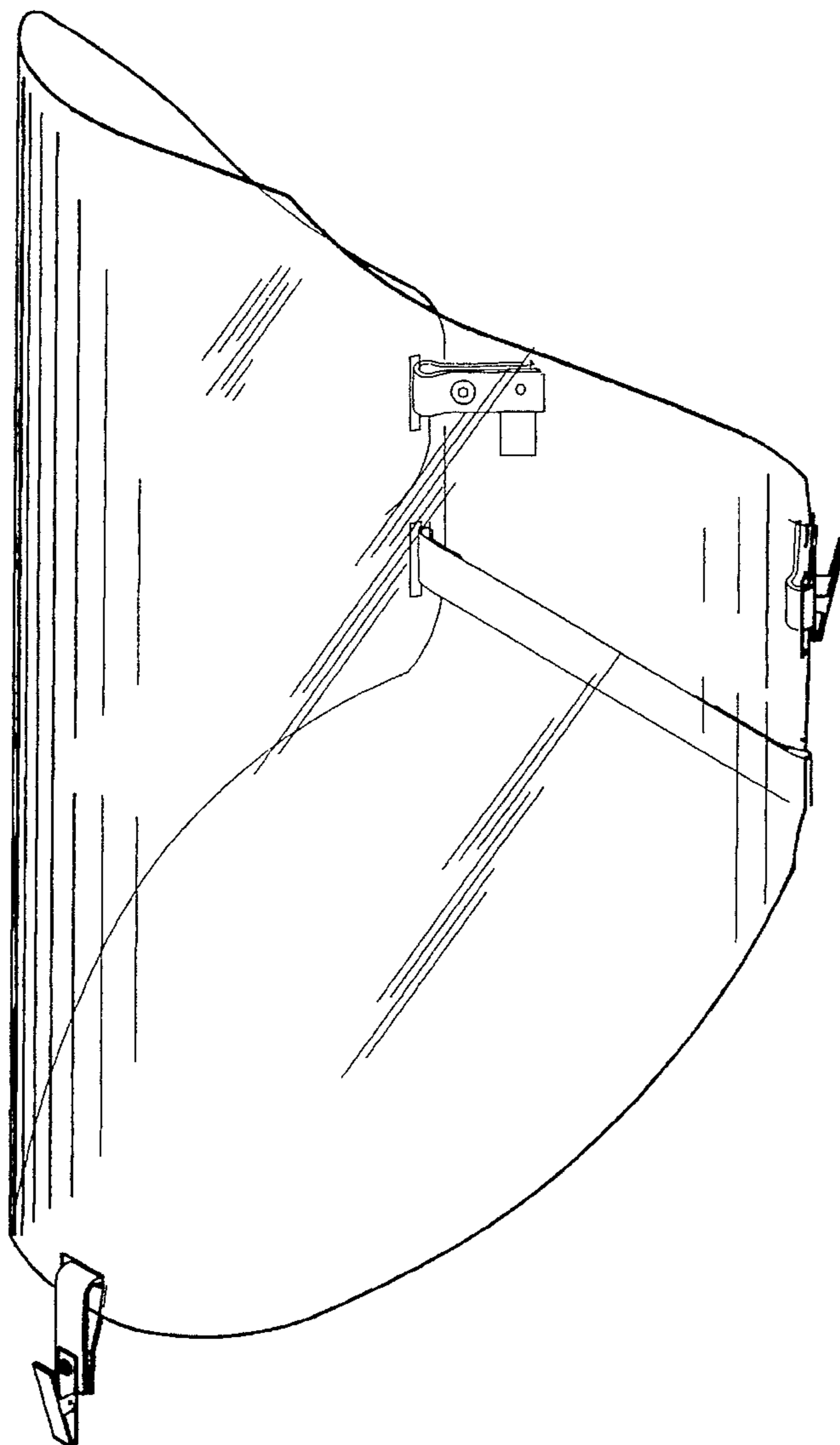
FIG. 7 is a bottom plan view thereof.

[56] **References Cited**

**U.S. PATENT DOCUMENTS**

D. 239,218	3/1976	Fortson	.....	D29/108
D. 254,520	3/1980	Amirault	.....	D29/109
D. 321,268	10/1991	Nix, Jr.	.....	D29/110

**1 Claim, 4 Drawing Sheets**



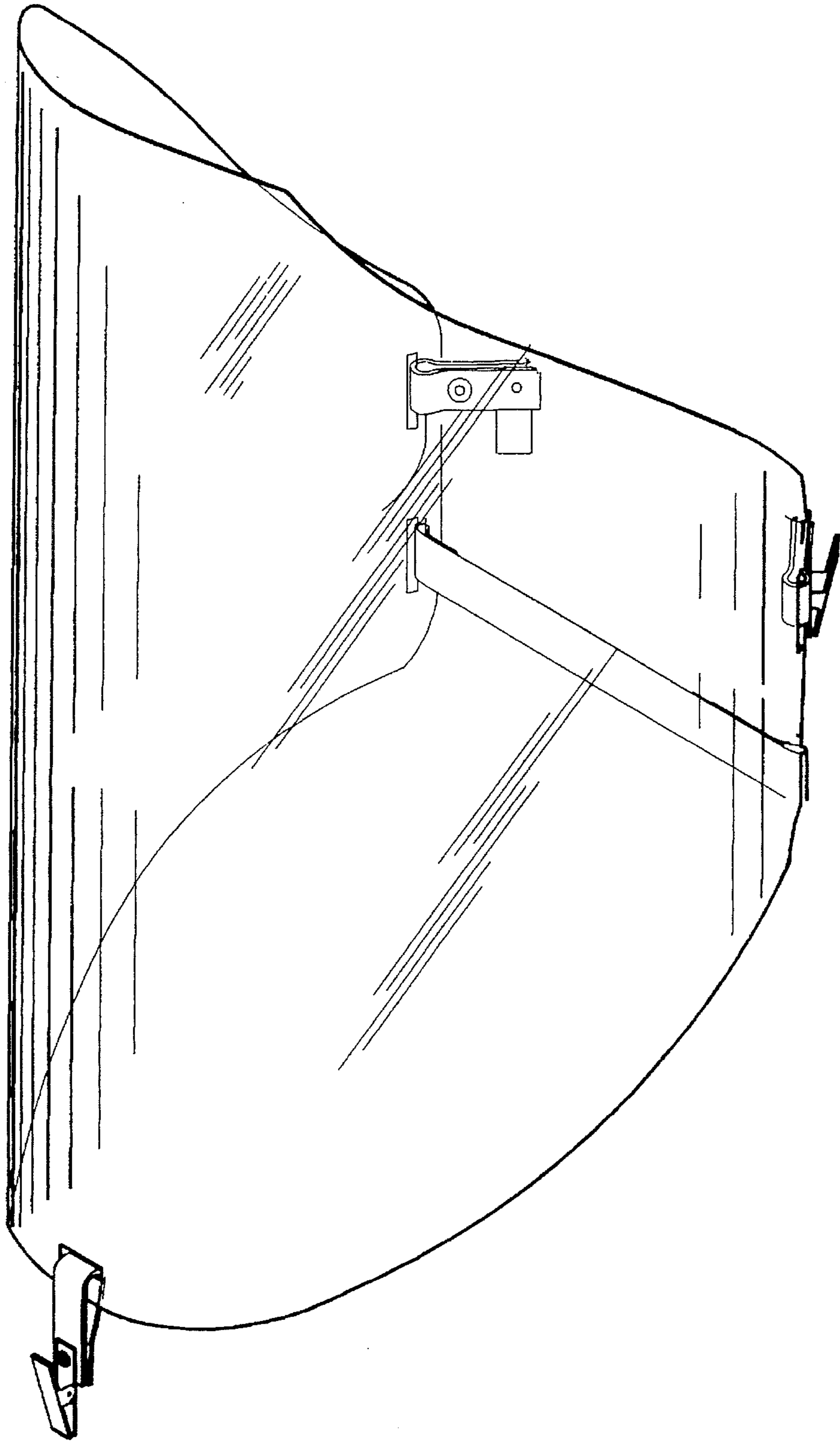
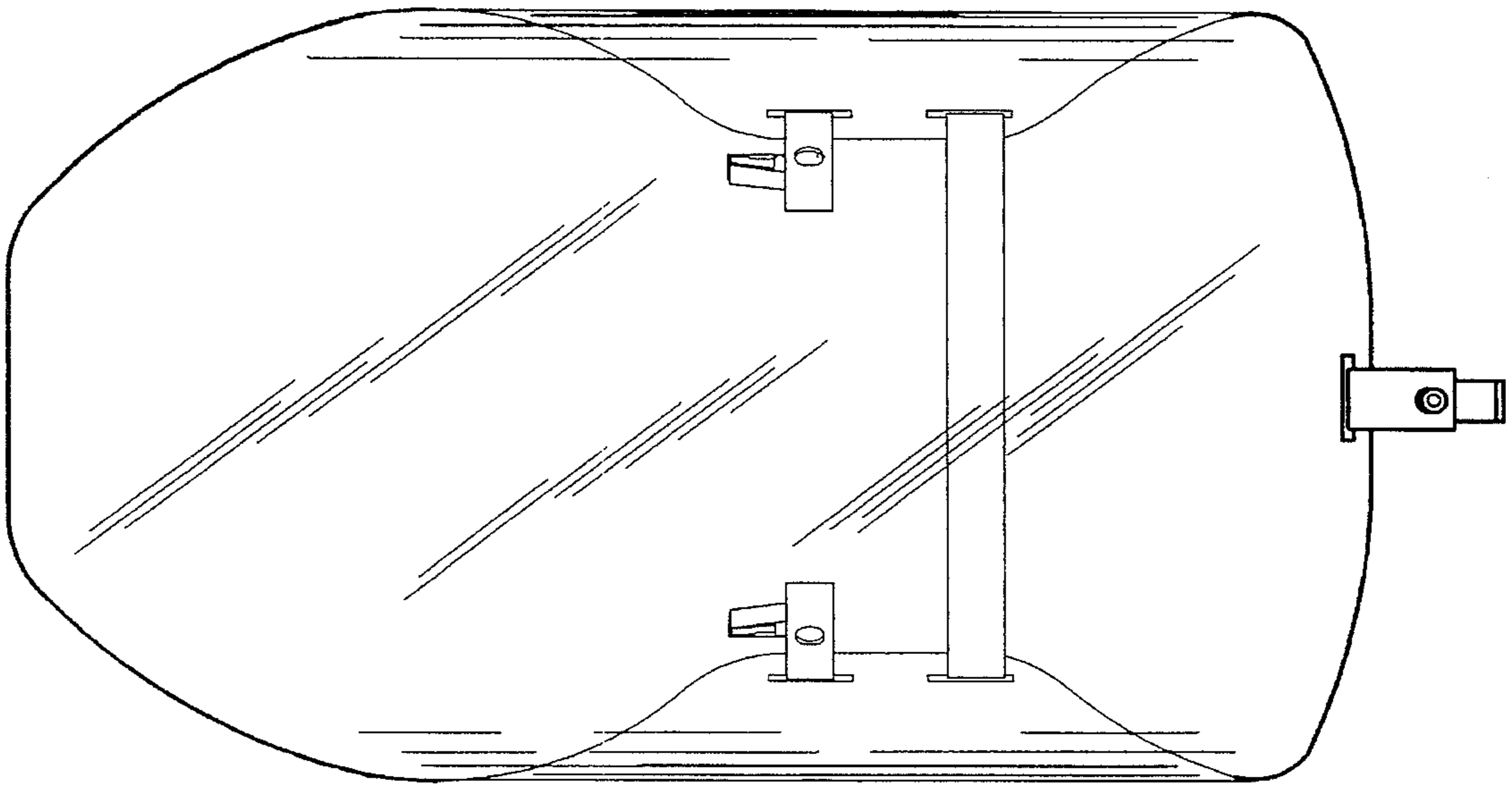
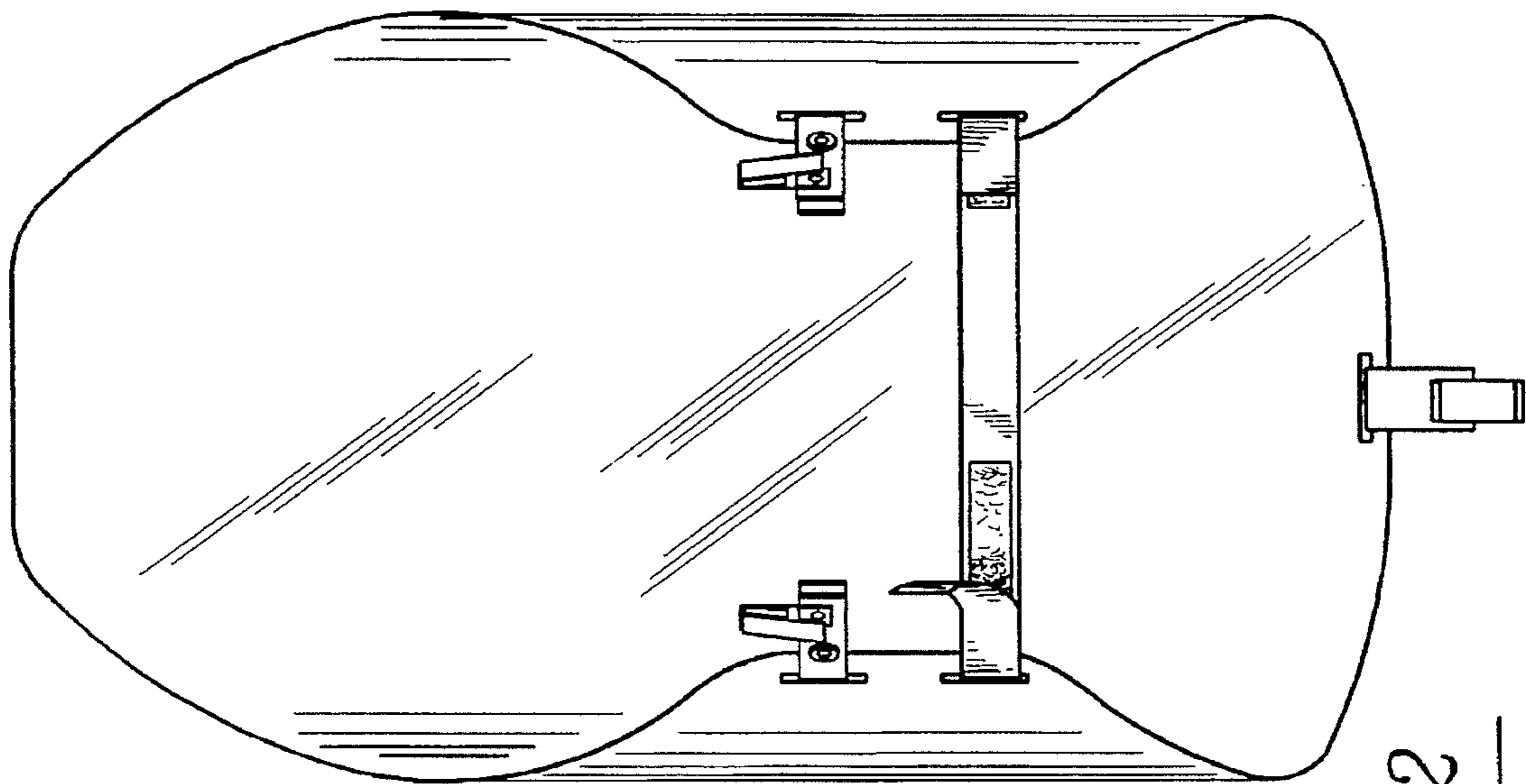


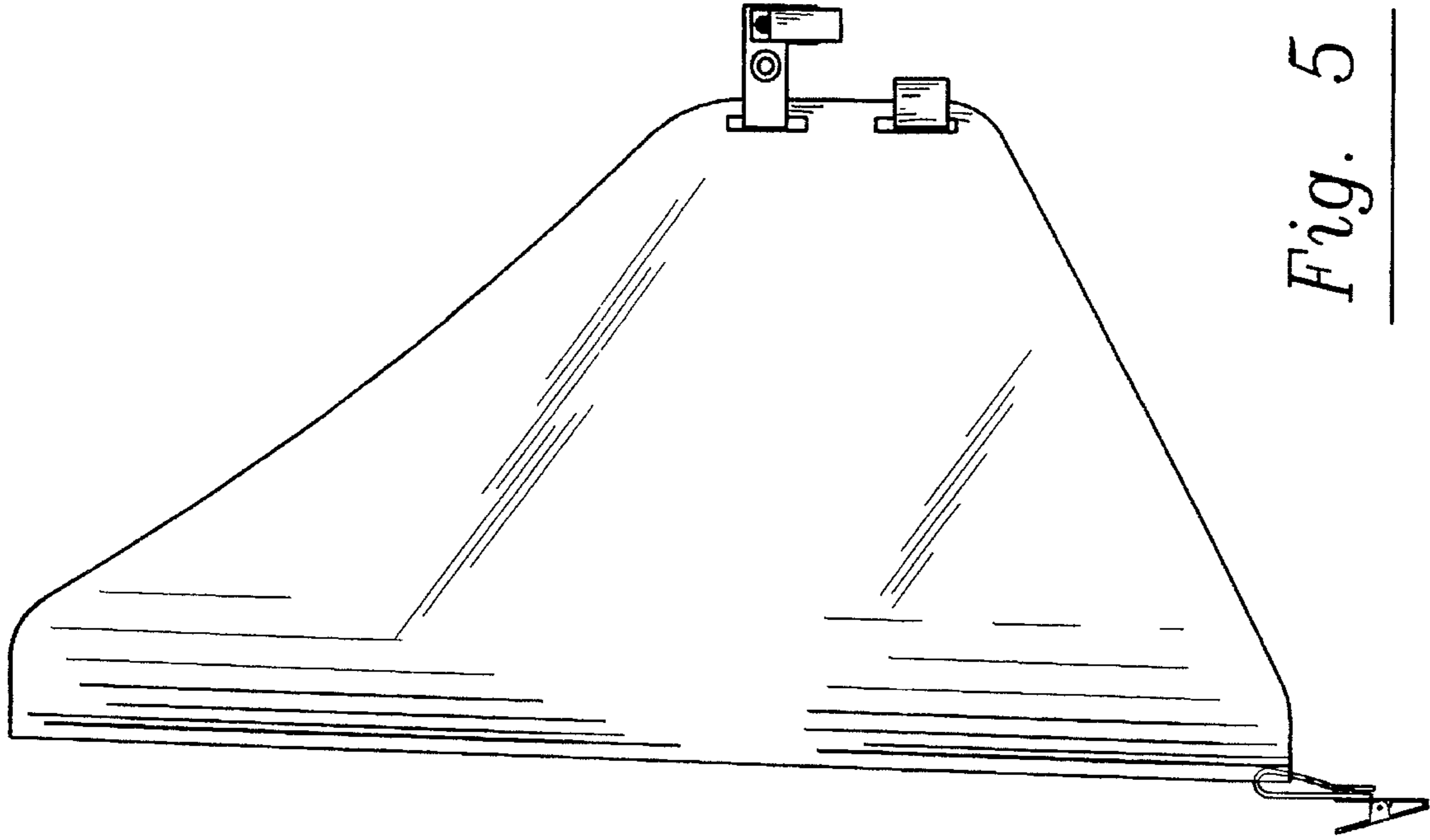
Fig. 1



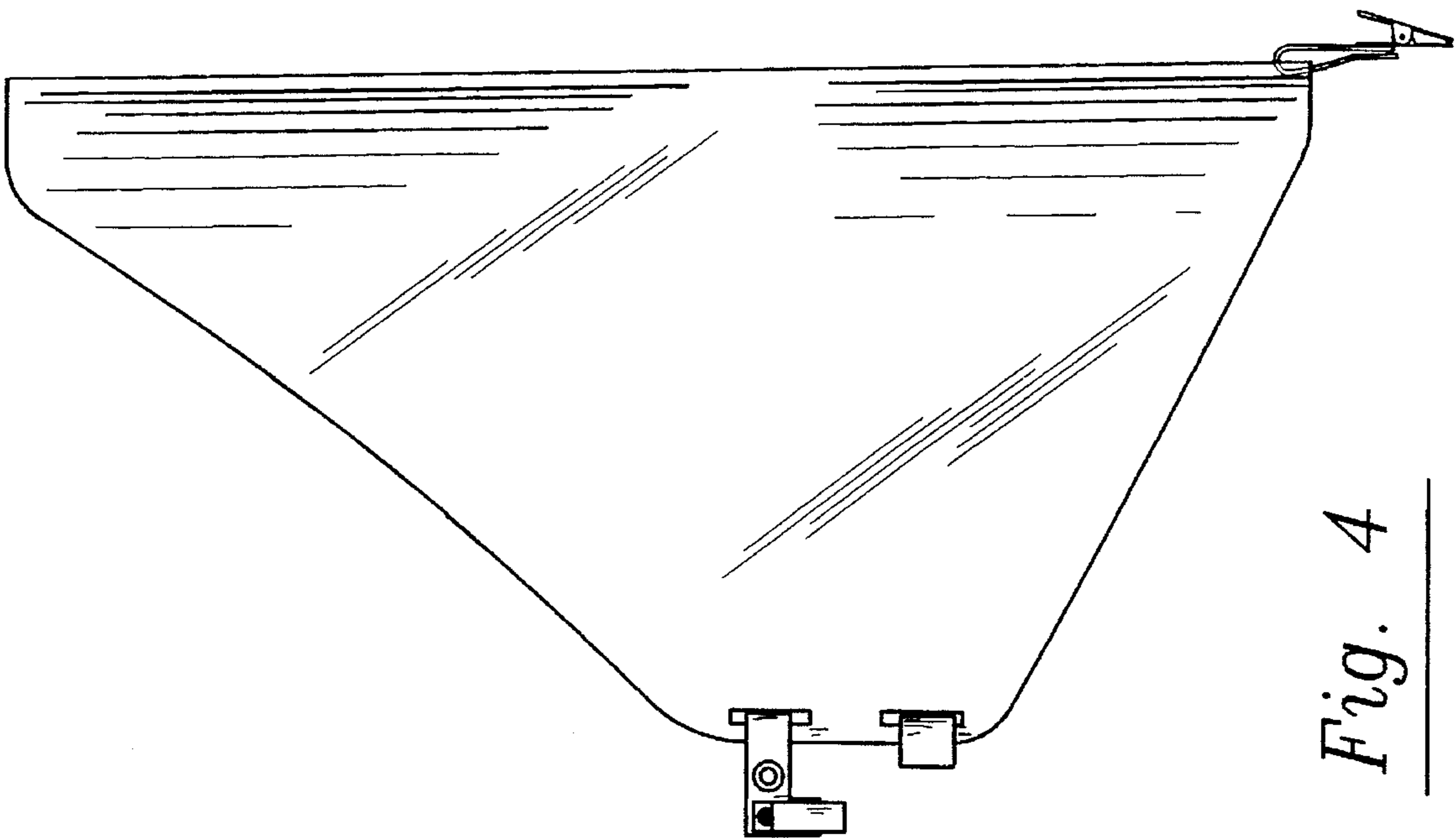
*Fig. 3*



*Fig. 2*



*Fig. 5*



*Fig. 4*

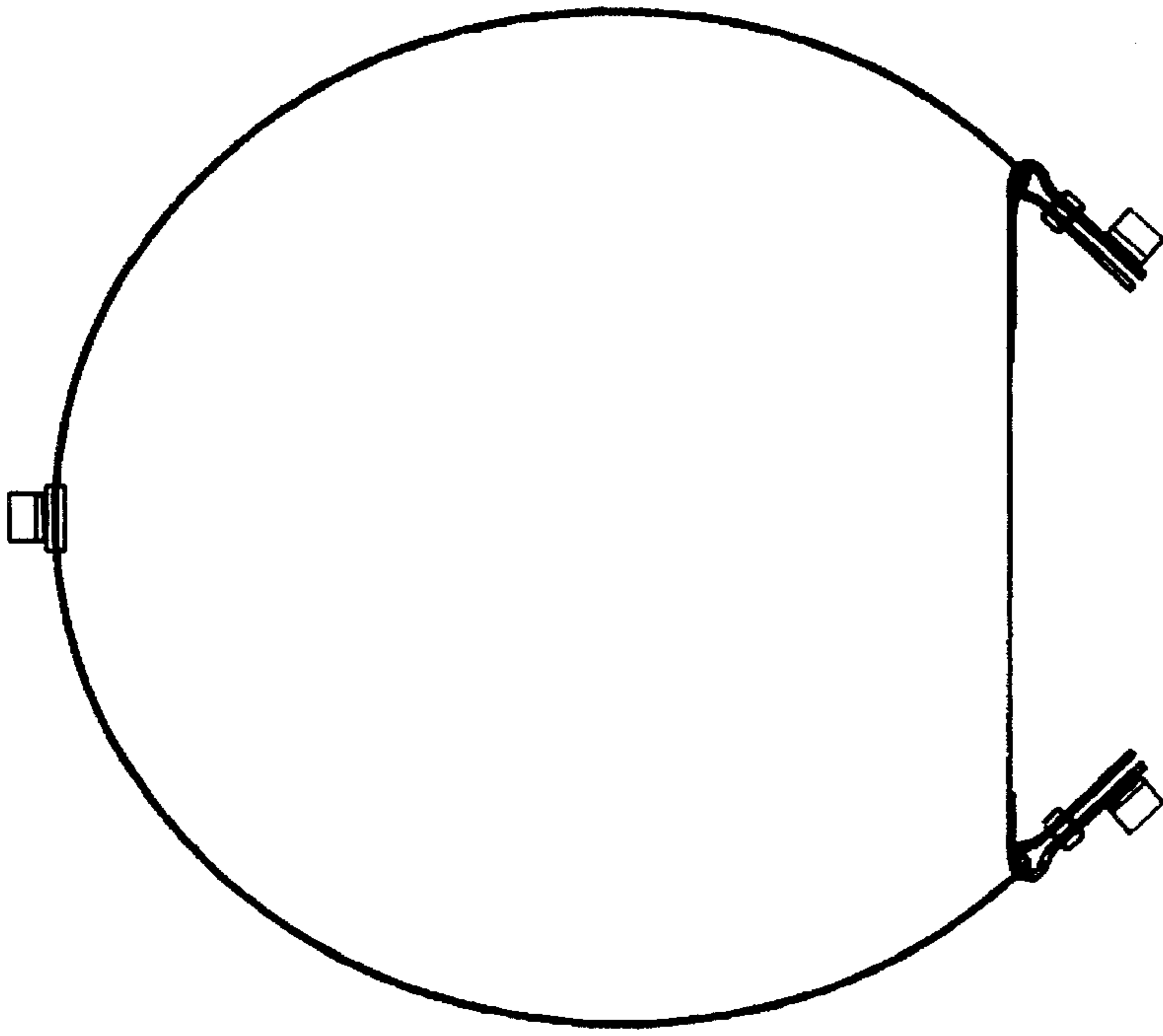


Fig. 7

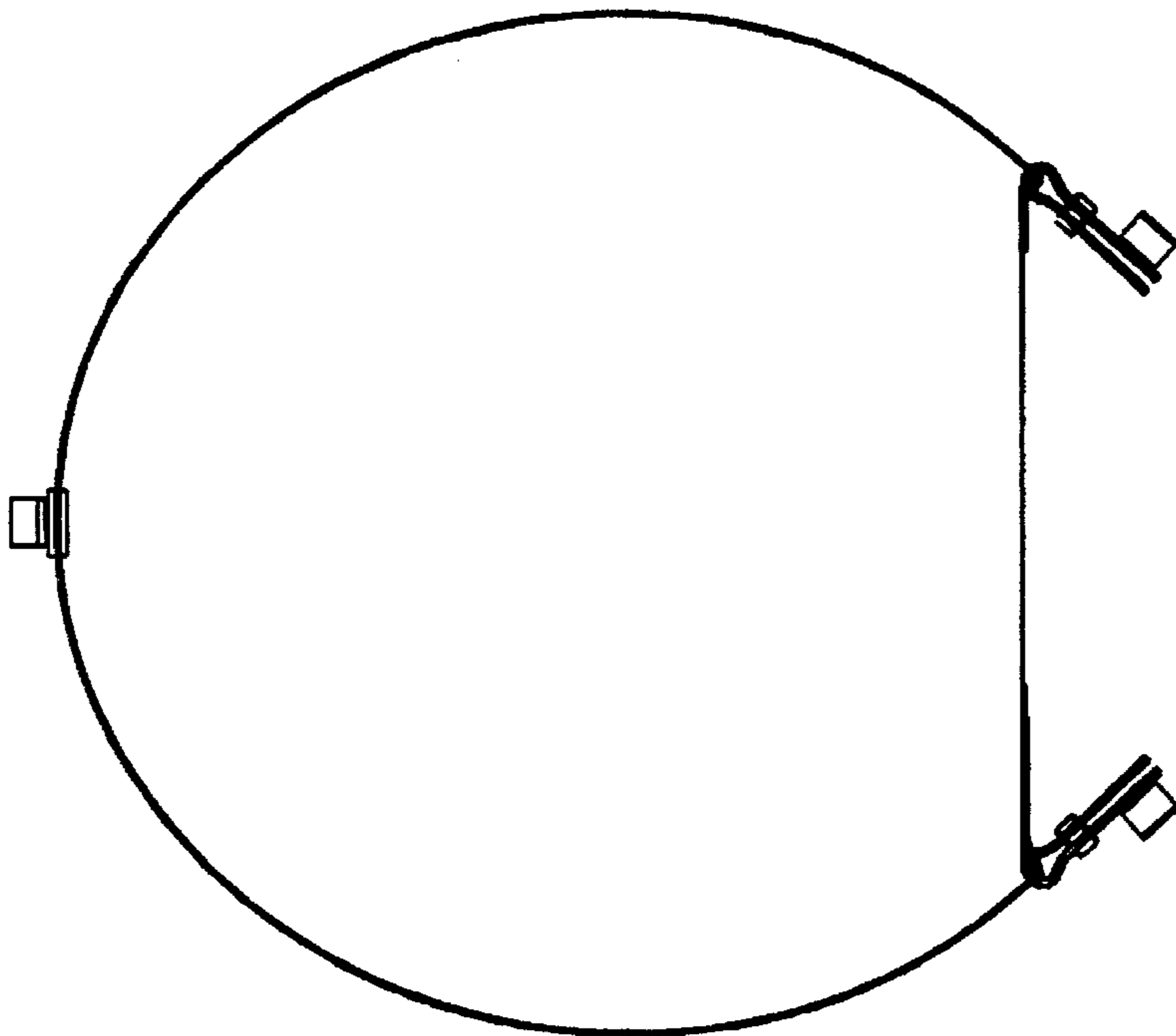


Fig. 6