



US00D377846S

United States Patent [19]

Knuth et al.

[11] Patent Number: **Des. 377,846**

[45] Date of Patent: ****Feb. 4, 1997**

[54] **HAIR DRYER**

[75] Inventors: **Lee Knuth**, El Paso, Tex.; **Doug Brewer**, Chicago, Ill.; **Julio Batiz**, Santa Teresa, N.M.; **Gary Koenemann**, El Paso, Tex.

[73] Assignee: **Helen of Troy Corporation**, El Paso, Tex.

[**] Term: **14 Years**

[21] Appl. No.: **17,566**

[22] Filed: **Jan. 14, 1994**

[52] U.S. Cl. **D28/13**

[58] Field of Search D28/13-18; 34/96-101; 352/384, 385

D. 282,013	12/1985	Kerschgens	D28/13
D. 310,733	9/1990	Gelinas	D28/13
4,658,116	4/1987	Tsang et al. .	
4,918,289	4/1990	Ohlsen et al. .	
5,013,891	5/1991	Shoemaker .	

OTHER PUBLICATIONS

Supplement to the Sunday Star-News; Dec. 22, 1974; p. 12 item a—men's pro-type hair dryer.

Primary Examiner—Ted Shooman
Assistant Examiner—C. Tuttle
Attorney, Agent, or Firm—John R. Flanagan

[57] CLAIM

The ornamental design for a hair dryer, as shown and described.

DESCRIPTION

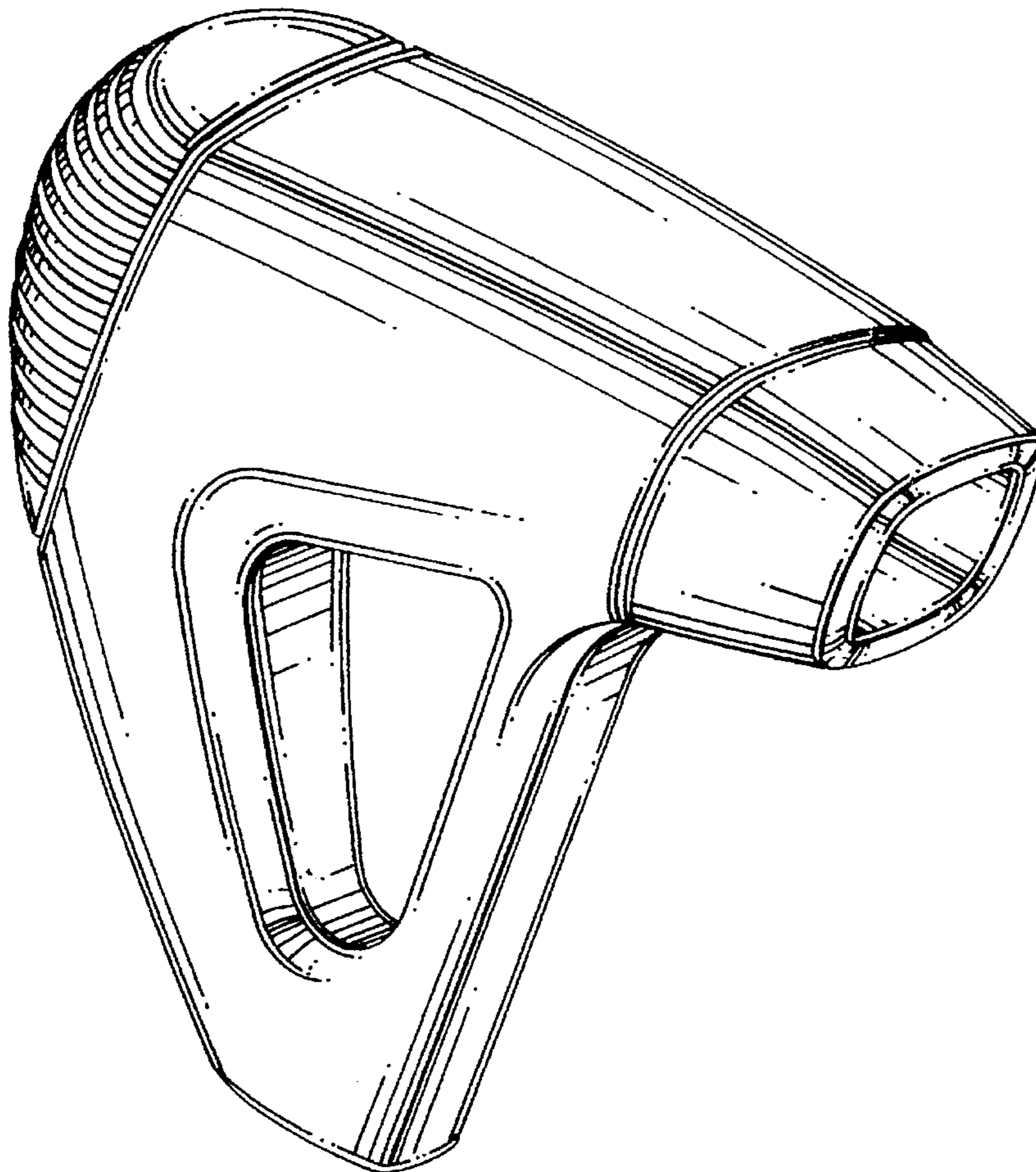
FIG. 1 is a front perspective view of a hair dryer showing our new design;
FIG. 2 is a right side elevational view of the hair dryer;
FIG. 3 is front elevational view of the hair dryer;
FIG. 4 is a rear elevational view of the hair dryer; and,
FIG. 5 is a top plan view of the hair dryer.

1 Claim, 1 Drawing Sheet

[56] References Cited

U.S. PATENT DOCUMENTS

D. 236,288	8/1975	McNair et al.	D28/13
D. 253,305	10/1979	Battaglia	D28/17
D. 254,328	2/1980	Benty	D28/13
D. 254,451	3/1980	Battaglia	D28/13
D. 263,427	3/1982	McBrien	D28/13
D. 265,767	8/1982	Stewart et al.	D28/13
D. 278,085	3/1985	Rittenhouse et al.	D28/13



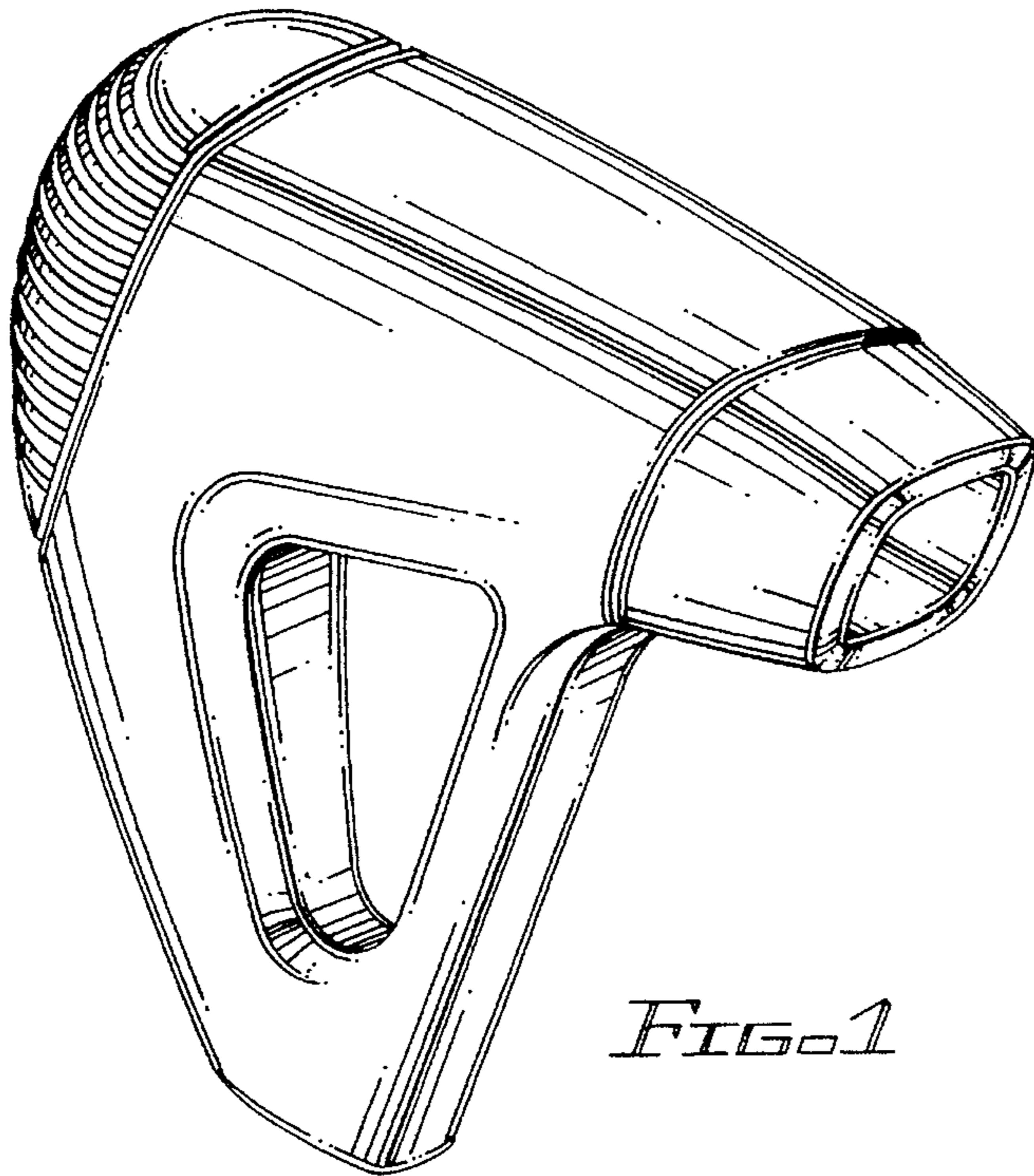


FIG. 1

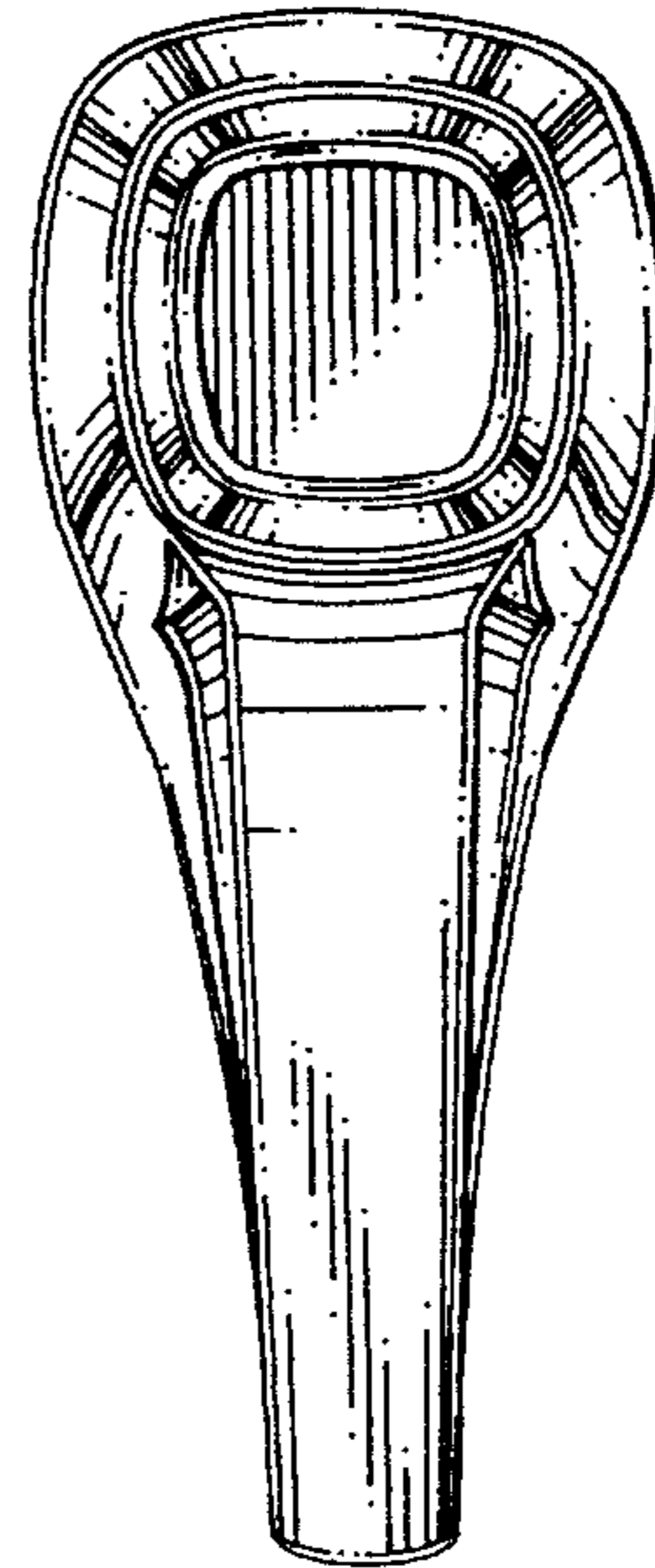


FIG. 3

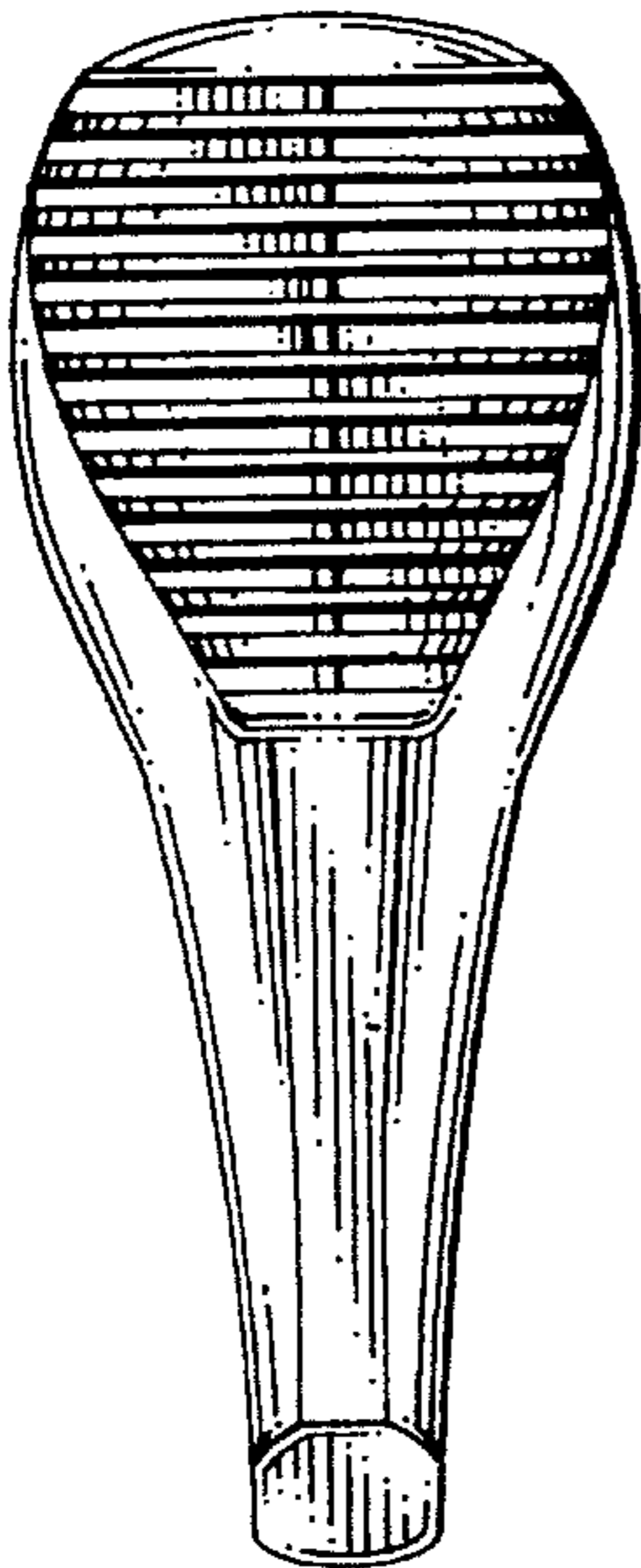


FIG. 4

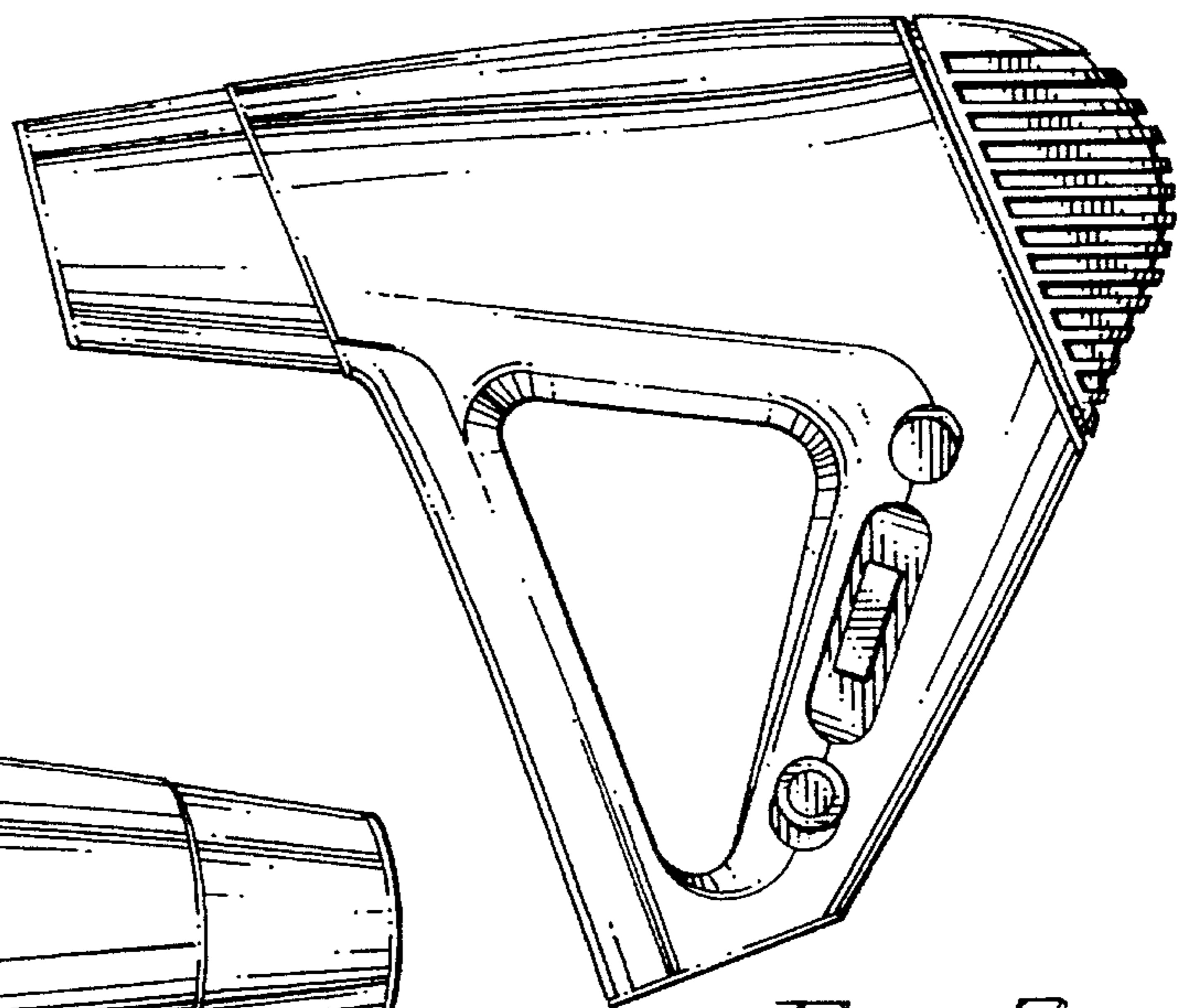


FIG. 2

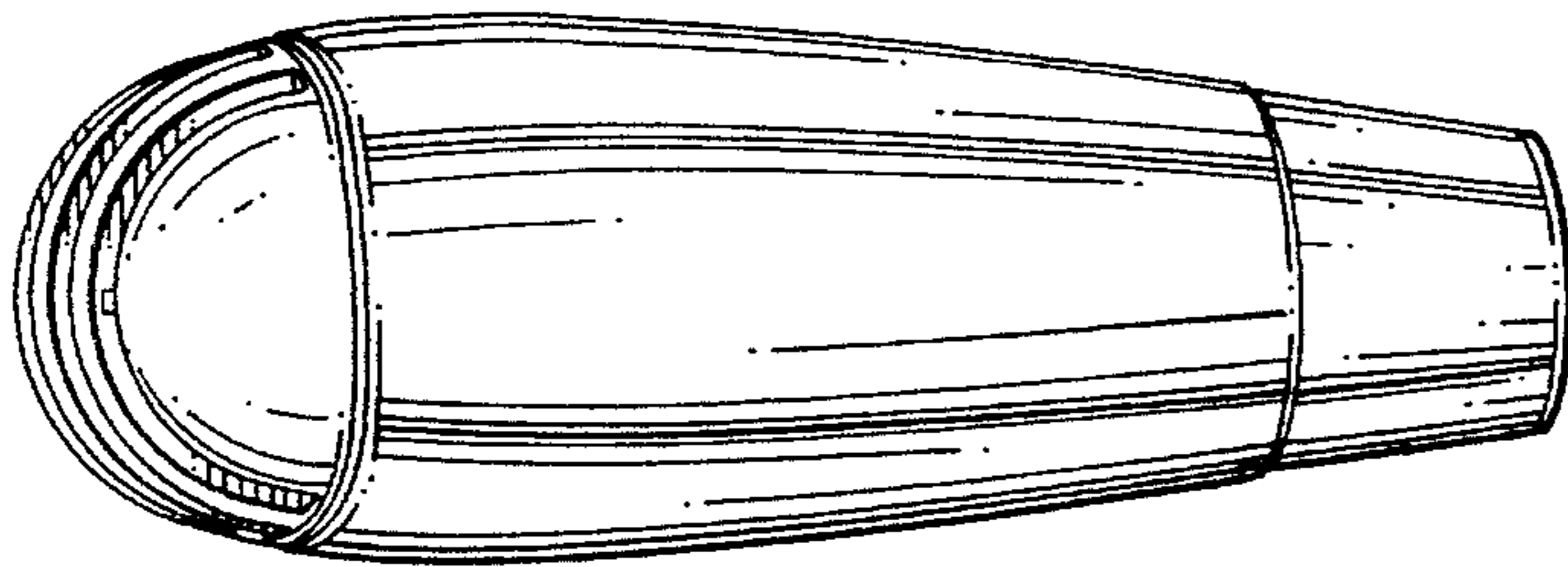


FIG. 5