



US00D377841S

United States Patent [19] Vakil

[11] **Patent Number: Des. 377,841**

[45] **Date of Patent: **Feb. 4, 1997**

[54] **CEILING LIGHTING FIXTURE**

4,459,648 7/1984 Ullman 362/147 X
5,075,831 12/1991 Stringer et al. 362/147 X

[75] Inventor: **Usman Vakil**, Walnut, Calif.

OTHER PUBLICATIONS

[73] Assignee: **Lights of America, Inc.**, Walnut, Calif.

BrownLee Lighting Catalog, 1987, p. 7,
Lincoln-217-Fluorescent Lighting Fixture.

[**] Term: **14 Years**

Primary Examiner—Susan J. Lucas
Attorney, Agent, or Firm—Graham & James LLP

[21] Appl. No.: **12,068**

[57] CLAIM

[22] Filed: **Aug. 20, 1993**

The ornamental design for a ceiling lighting fixture, as shown.

[52] U.S. Cl. **D26/85; D26/79**

[58] Field of Search D26/72, 74, 80-92,
D26/76, 77, 79; 362/147, 404-405, 216,
226, 220, 222, 223

DESCRIPTION

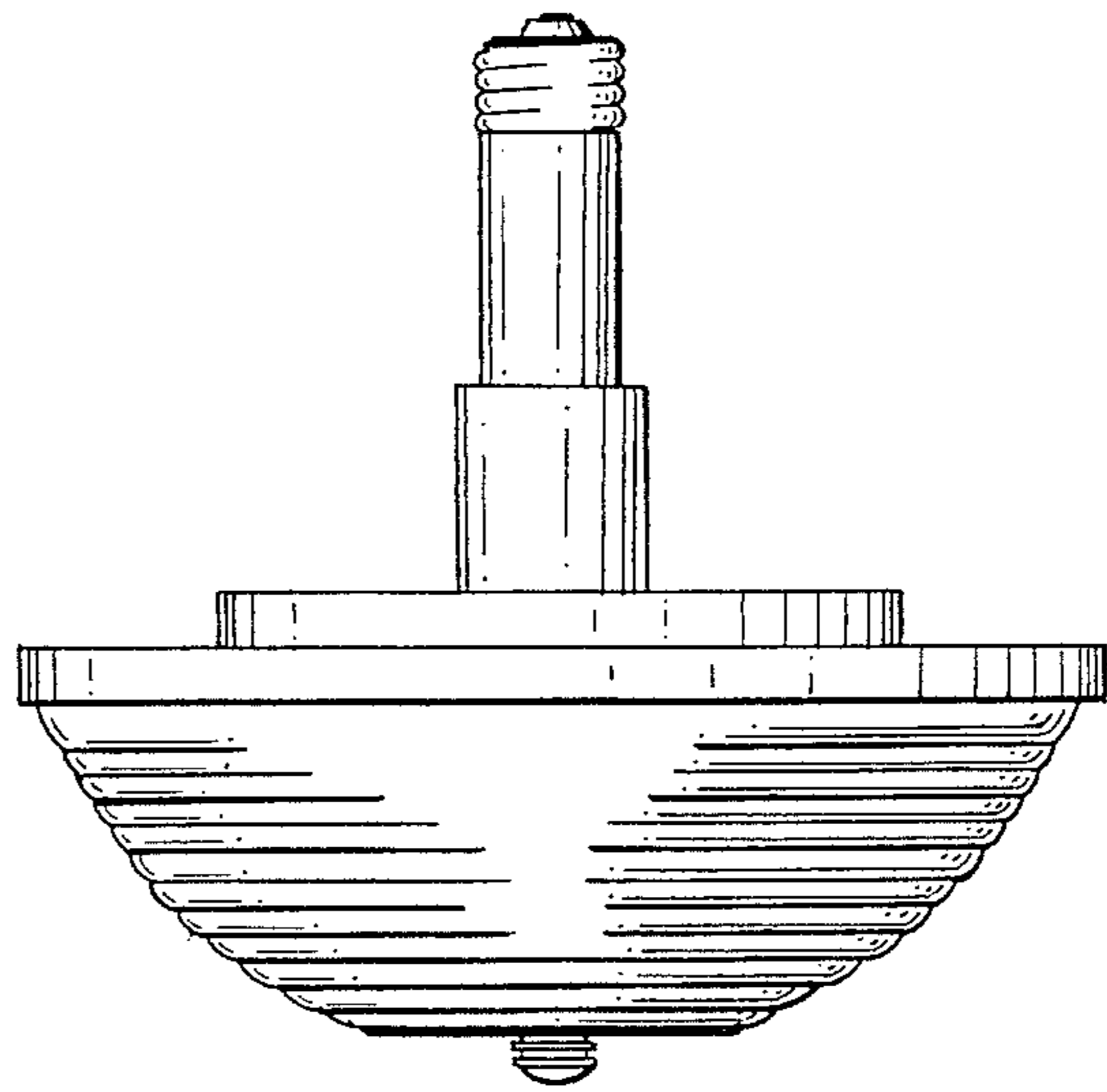
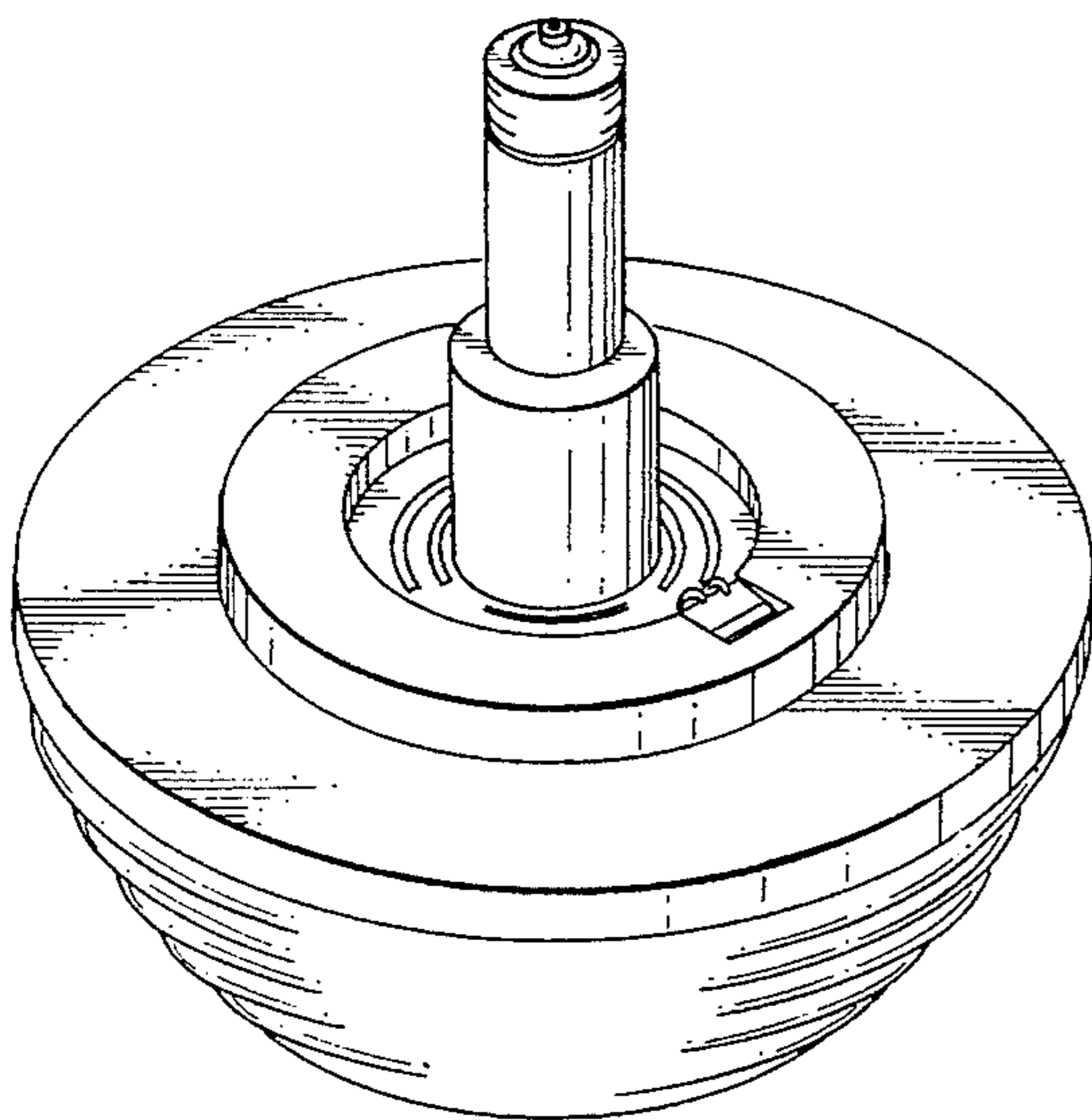
[56] References Cited

FIG. 1 is a side perspective view of a ceiling lighting fixture showing my new design;
FIG. 2 is a side view thereof;
FIG. 3 is a top plan view thereof; and,
FIG. 4 is a bottom plan view thereof.

U.S. PATENT DOCUMENTS

D. 253,014	9/1979	Shiibashi	D26/26
D. 290,756	7/1987	Fujitaki	D26/74
1,259,493	3/1918	Dorrey	D26/26 X
2,626,346	1/1953	Stoller	D26/79 X

1 Claim, 2 Drawing Sheets



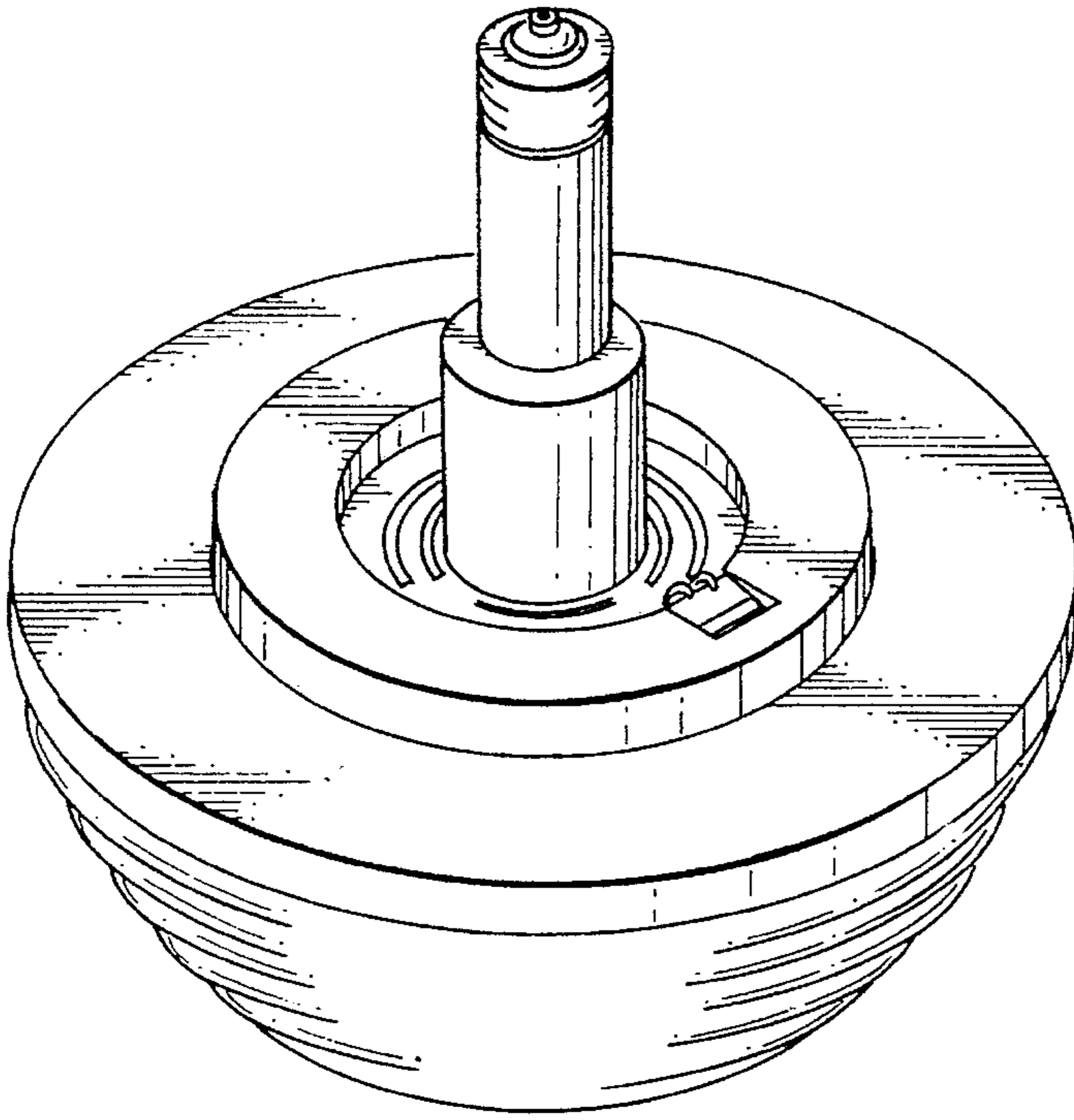
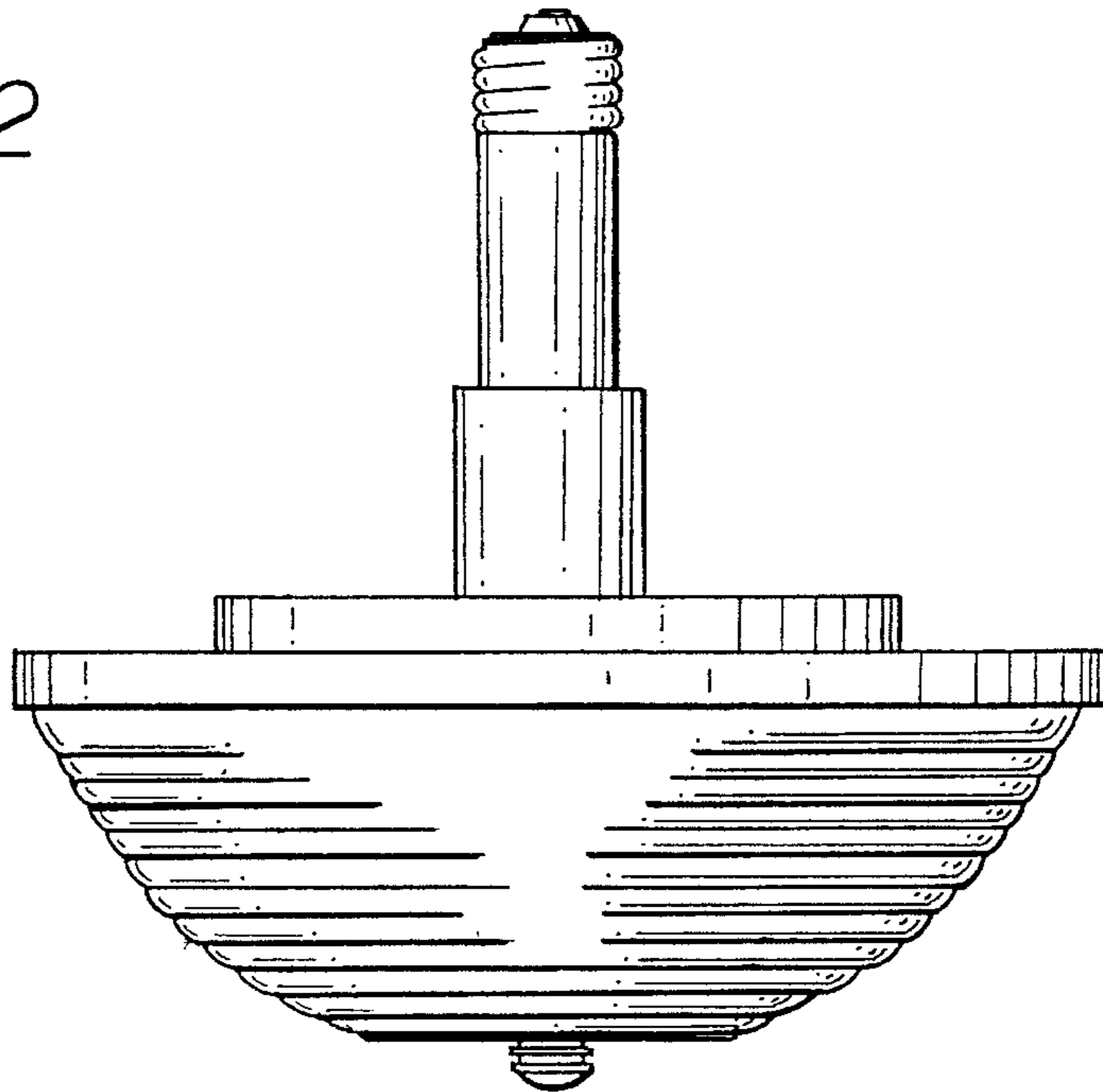


FIG. 1

FIG. 2



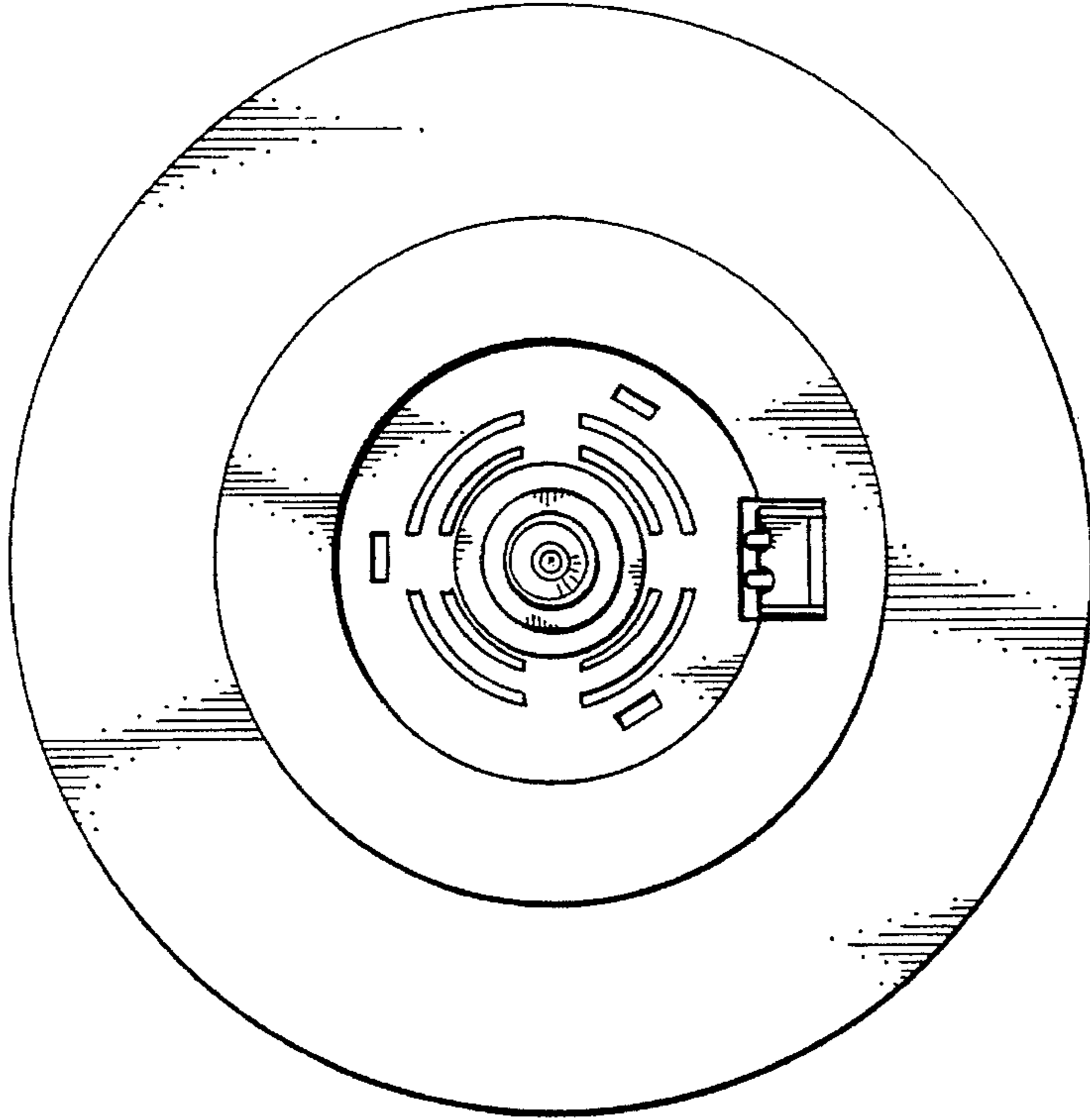


FIG. 3

FIG. 4

