



US00D377839S

# United States Patent [19]

Yuen

[11] Patent Number: **Des. 377,839**

[45] Date of Patent: **\*\*Feb. 4, 1997**

[54] **RECHARGEABLE LANTERN**

[75] Inventor: **Se K. Yuen**, Kowloon, Hong Kong

[73] Assignee: **John Manufacturing Limited**,  
Kowloon, Hong Kong

[\*\*] Term: **14 Years**

[21] Appl. No.: **47,331**

[22] Filed: **Dec. 1, 1995**

[30] **Foreign Application Priority Data**

Jul. 21, 1995 [GB] United Kingdom ..... 2049004

[52] **U.S. Cl.** ..... **D26/42**; D26/48

[58] **Field of Search** ..... D26/37, 38, 42,  
D26/46, 48-50; 362/157, 158, 184, 190,  
191, 196, 197, 199-205, 207, 208, 362

[56] **References Cited**

**U.S. PATENT DOCUMENTS**

D. 271,909	12/1983	Mallory	.....	D26/42
D. 329,504	9/1992	Yuen	.....	D26/42
D. 354,364	1/1995	Yuen	.....	D26/42
4,321,657	3/1982	Hoi	.....	362/184 X

**OTHER PUBLICATIONS**

Hong Kong Enterprise, Jun. 1991, Multi-Purpose Fluorescent Lantern-Item No. JML 8824, p. 199.

*Primary Examiner*—A. Hugo Word  
*Assistant Examiner*—Lavone D. Tabor  
*Attorney, Agent, or Firm*—Merchant, Gould, Smith, Edell, Welter & Schmidt, P.A.

[57] **CLAIM**

The ornamental design for a rechargeable lantern, as shown and described.

**DESCRIPTION**

FIG. 1 is a perspective view of a rechargeable lantern showing my new design;

FIG. 2 is a front elevational view thereof;

FIG. 3 is a rear elevational view thereof;

FIG. 4 is a top plan view thereof;

FIG. 5 is a bottom plan view thereof;

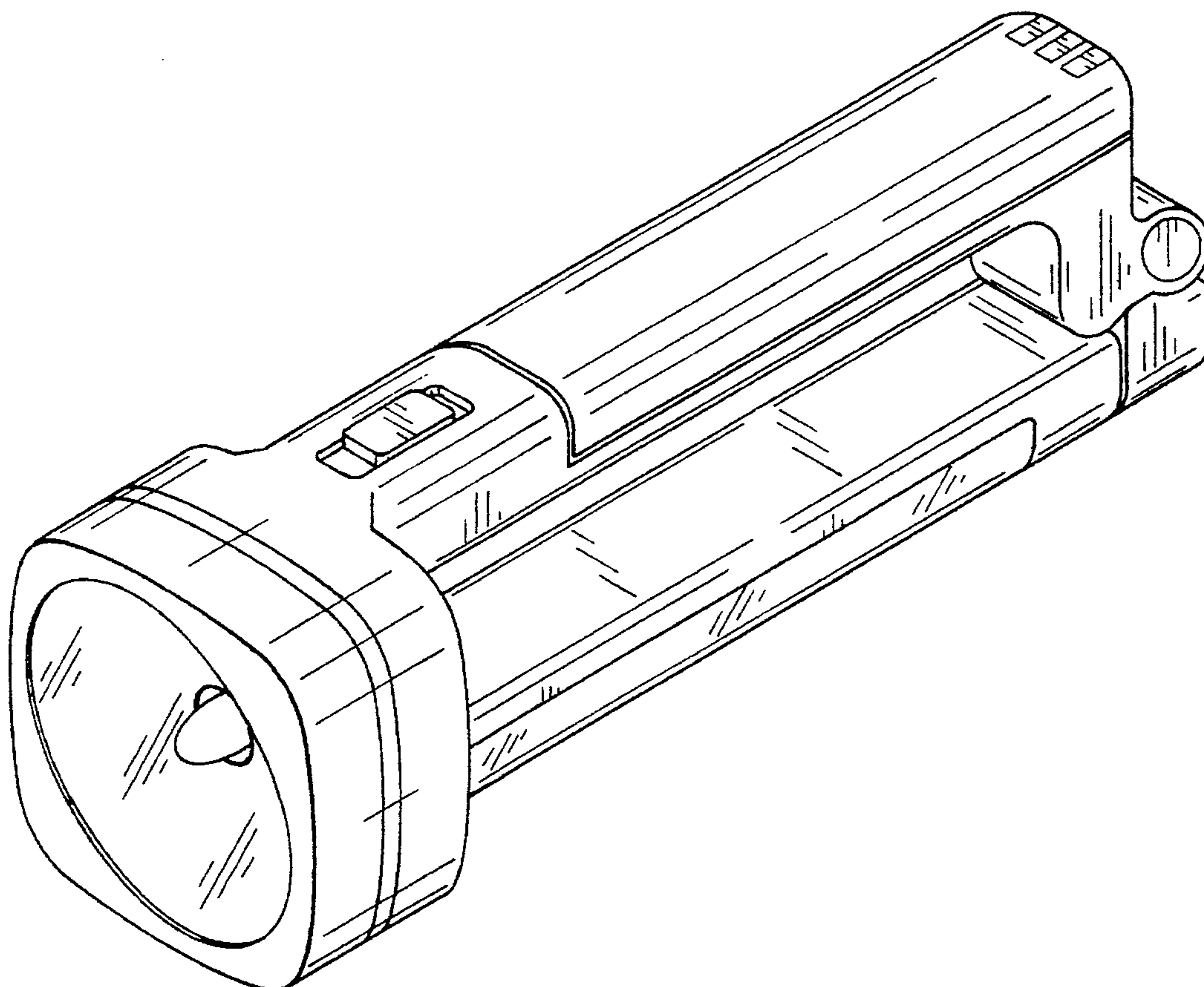
FIG. 6 is a right side elevational view thereof, the left side being a mirror image;

FIG. 7 is a right side elevational view thereof, in a first alternative position; and,

FIG. 8 is a right side view thereof, in a second alternative position.

FIGS. 7 and 8 are shown on a reduced scale.

**1 Claim, 7 Drawing Sheets**



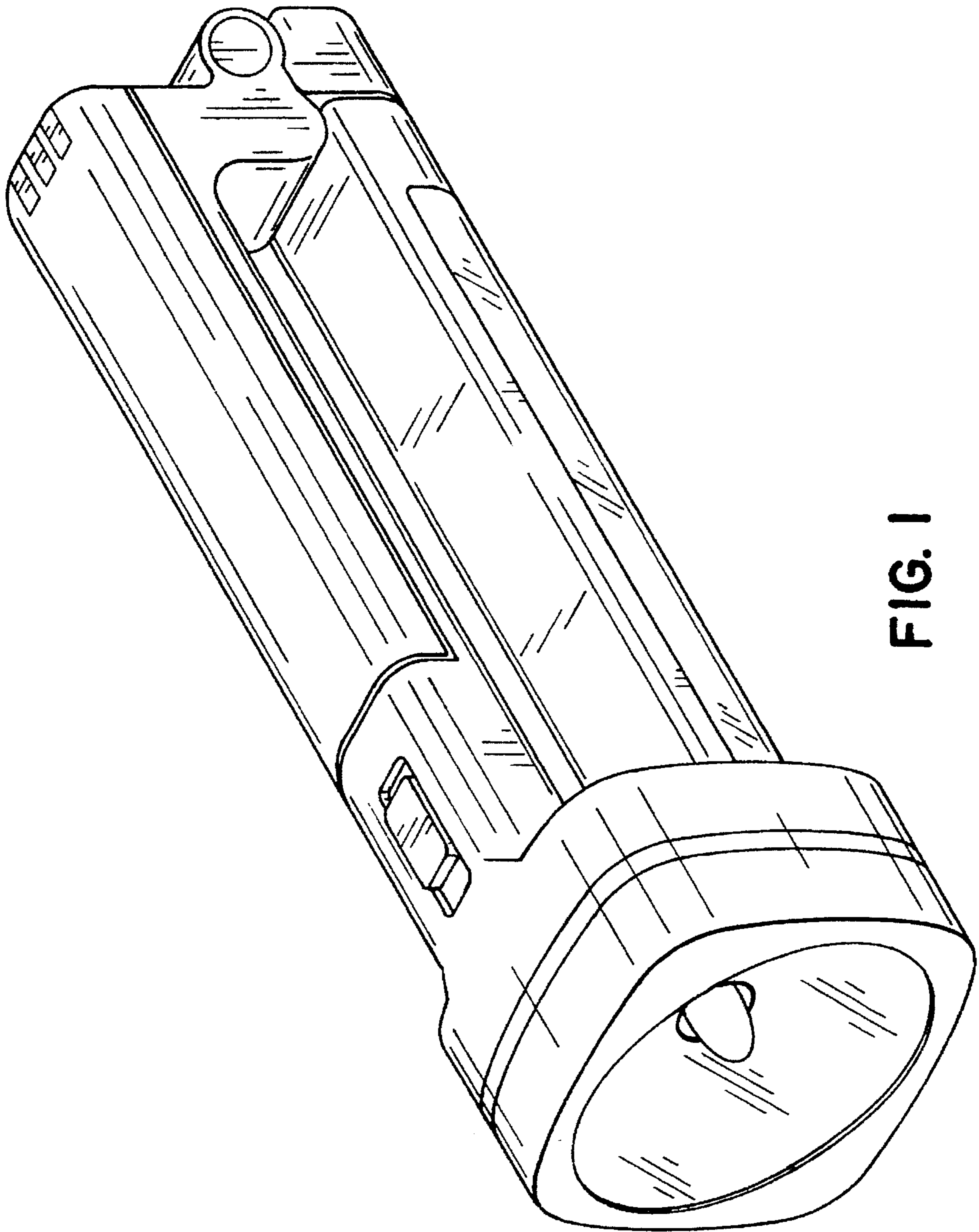


FIG. 1

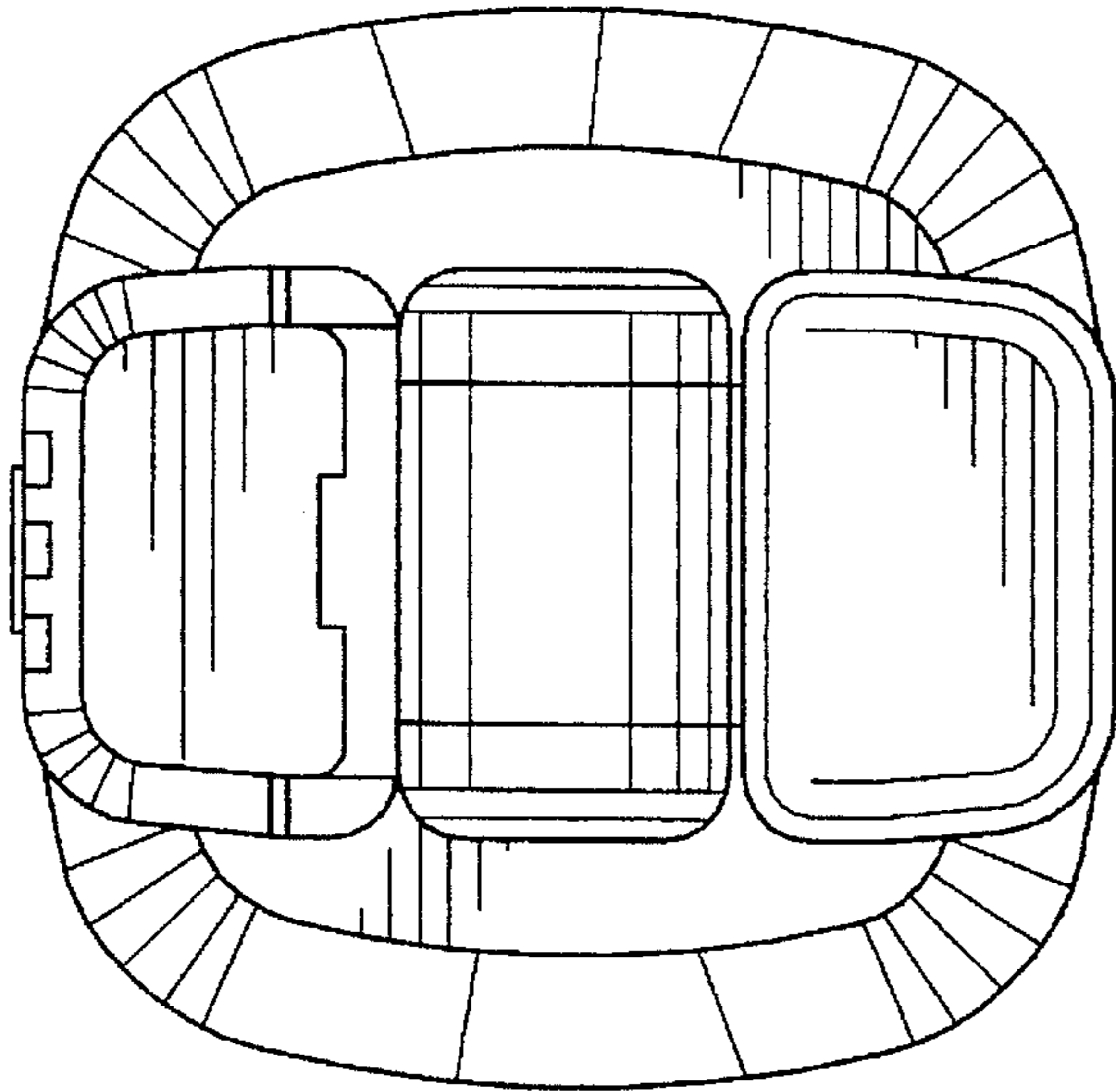


FIG. 2

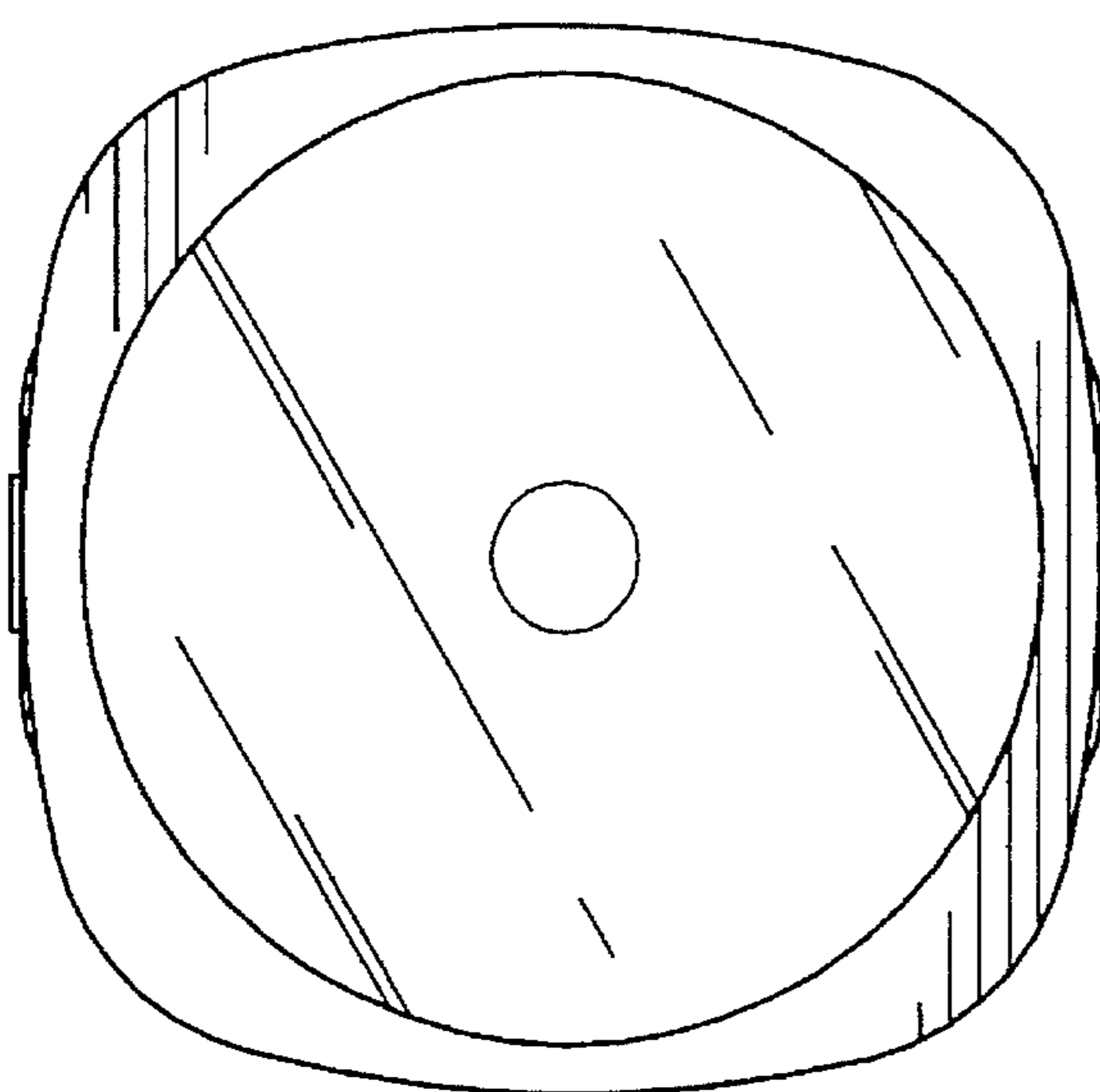


FIG. 3

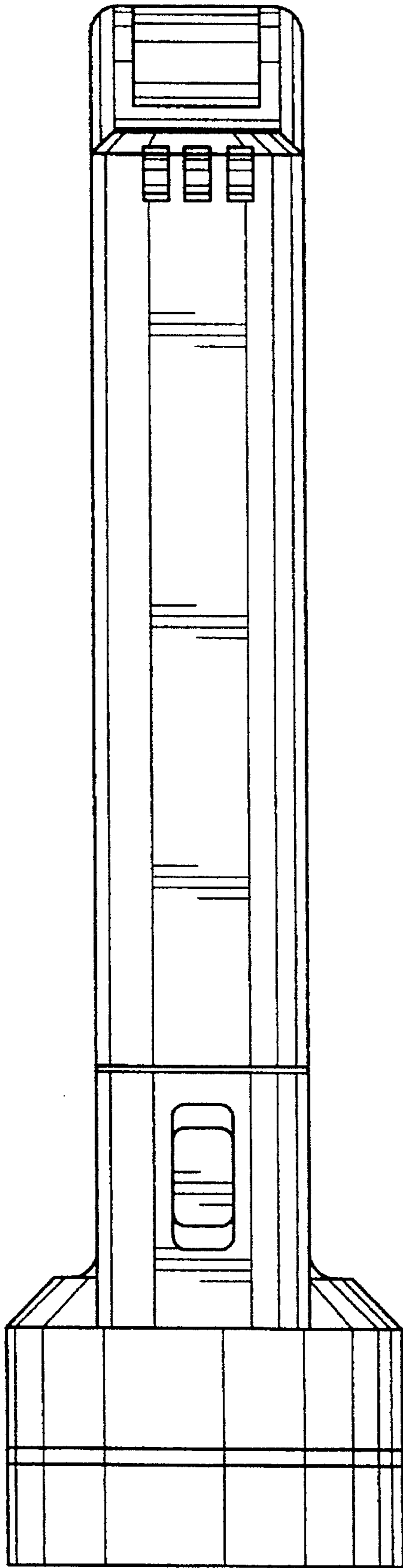


FIG. 4

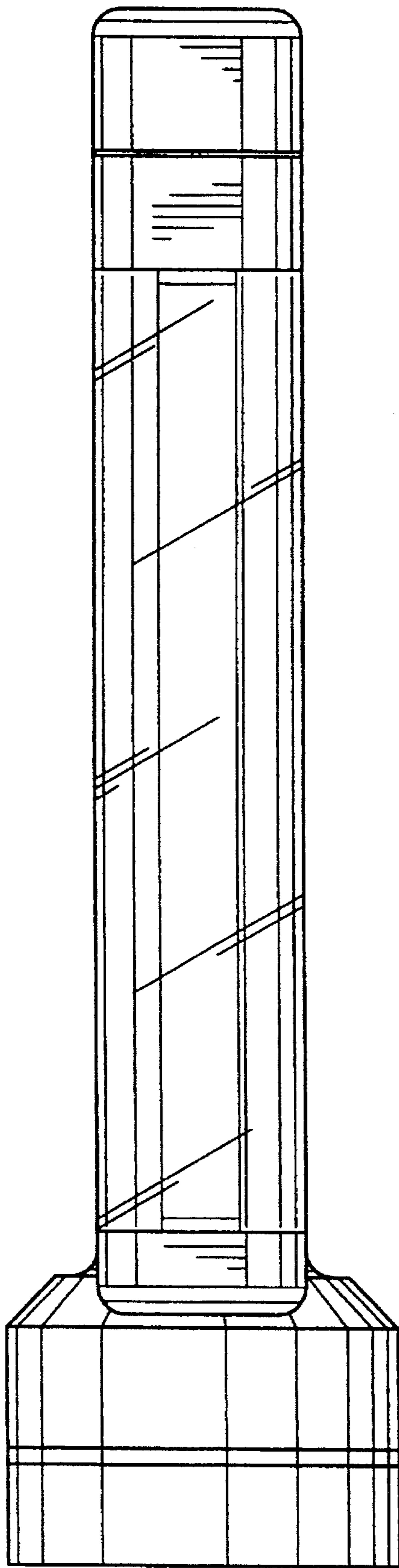


FIG. 5

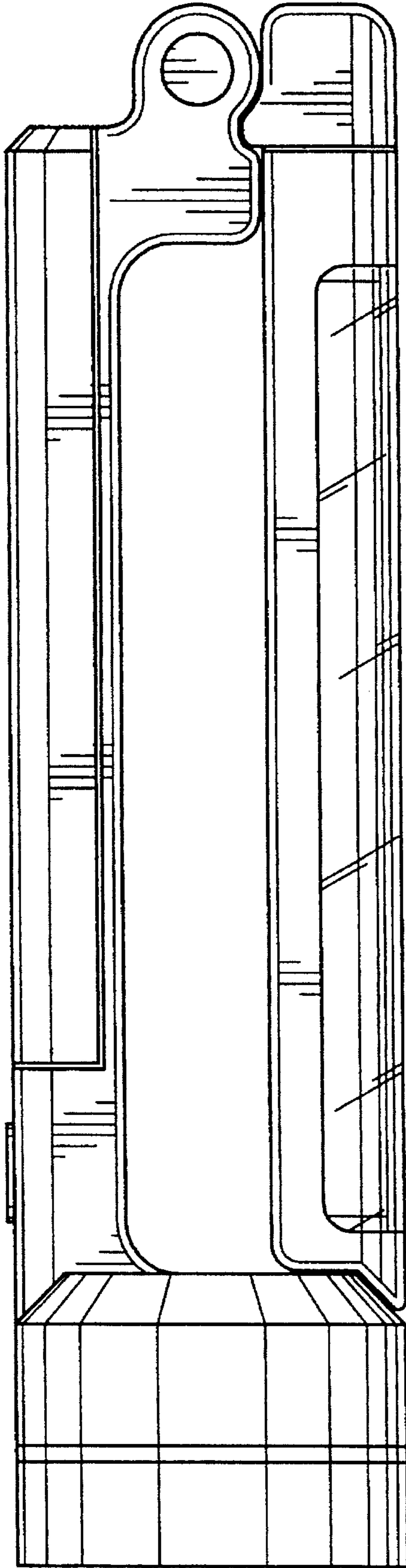


FIG. 6

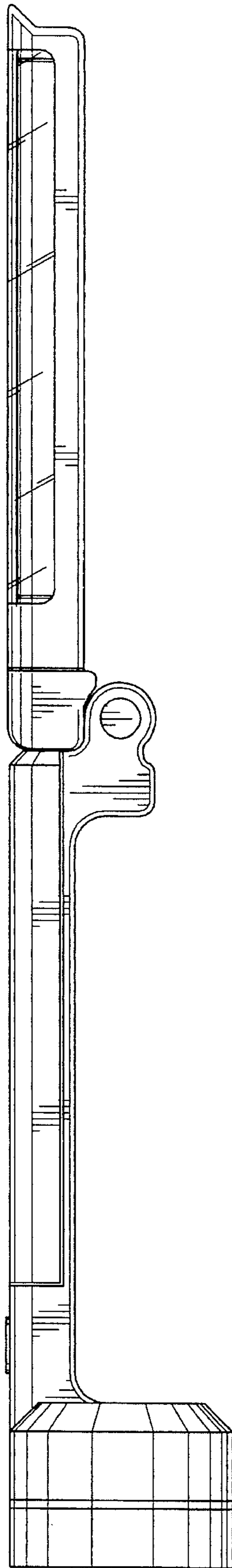


FIG. 7

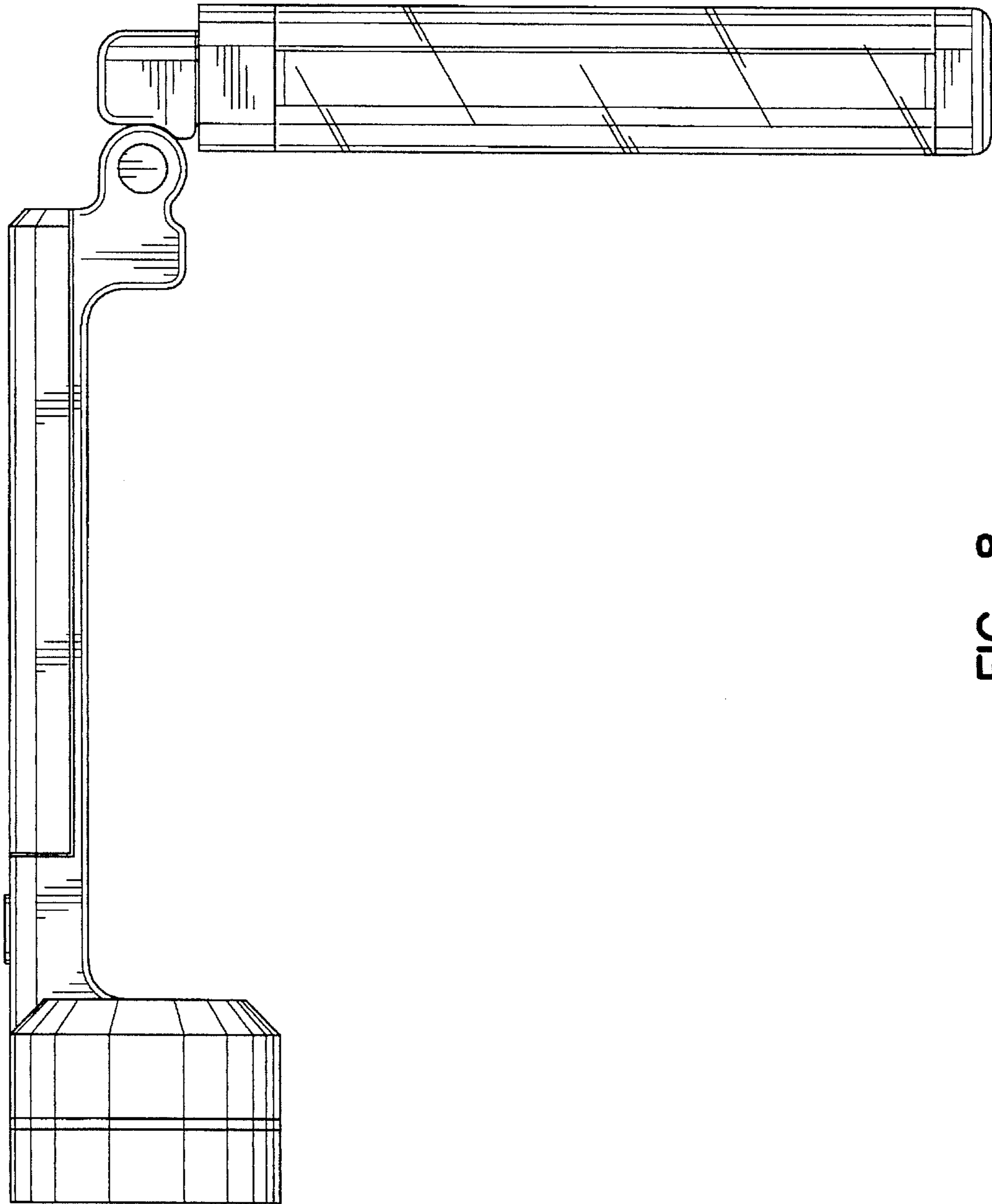


FIG. 8