



US00D377838S

United States Patent [19]

Malhotra

[11] Patent Number: **Des. 377,838**

[45] Date of Patent: ****Feb. 4, 1997**

[54] **AUTOMOBILE LIGHT**

[76] Inventor: **Rupinder Malhotra**, 1604 Stancombe Cres., Mississauga, ON, Canada, L5N 4R1

[**] Term: **14 Years**

[21] Appl. No.: **49,516**

[22] Filed: **Jan. 25, 1996**

[52] U.S. Cl. **D26/28**

[58] Field of Search D26/28-36; 362/61, 362/80, 81, 82, 83, 267, 269, 275

[56] **References Cited**

U.S. PATENT DOCUMENTS

D. 288,968	3/1987	Tomkin et al.	D26/28
D. 314,630	2/1991	Fukagawa	D26/28
D. 317,212	5/1991	Fettes et al.	D26/28
3,227,868	1/1966	Morgan	D26/28

Primary Examiner—Marcus A. Jackson

Attorney, Agent, or Firm—Harold H. Dutton, Jr.; W. Charles L. Jamison; Diane F. Liebman

[57] **CLAIM**

The ornamental design for an automobile light, as shown and described.

DESCRIPTION

FIG. 1 is a perspective view of an automobile light showing my new design, with the wires broken away to indicate indeterminate length;

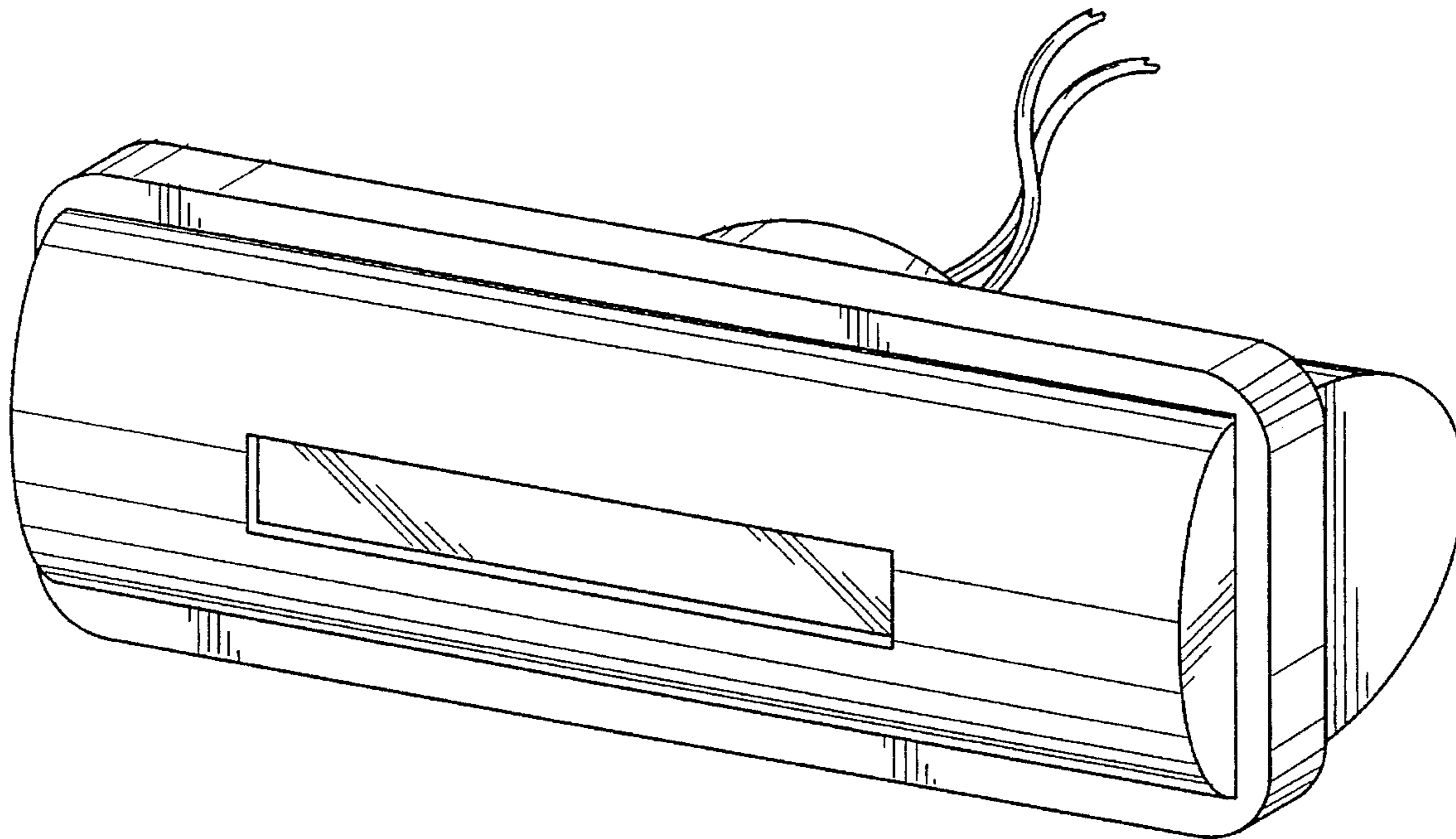
FIG. 2 is a rear elevational view thereof, with the wires omitted for clarity of illustration only;

FIG. 3 is a top plan view thereof, with the bottom being a mirror image; and,

FIG. 4 is a right side view thereof.

The left side view is a mirror image of FIG. 4, and the bottom is a mirror image of the top.

1 Claim, 2 Drawing Sheets



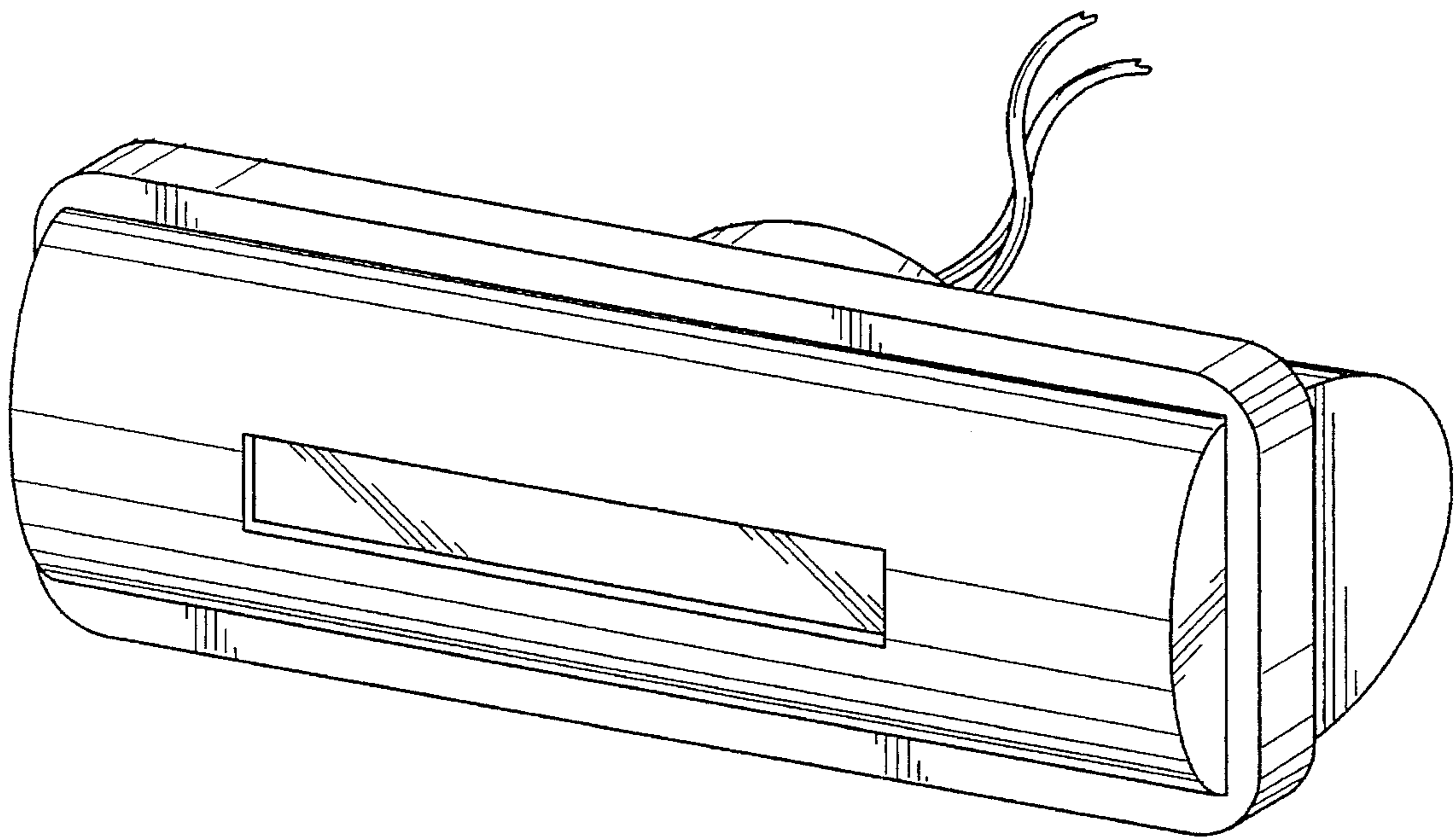


FIG. 1

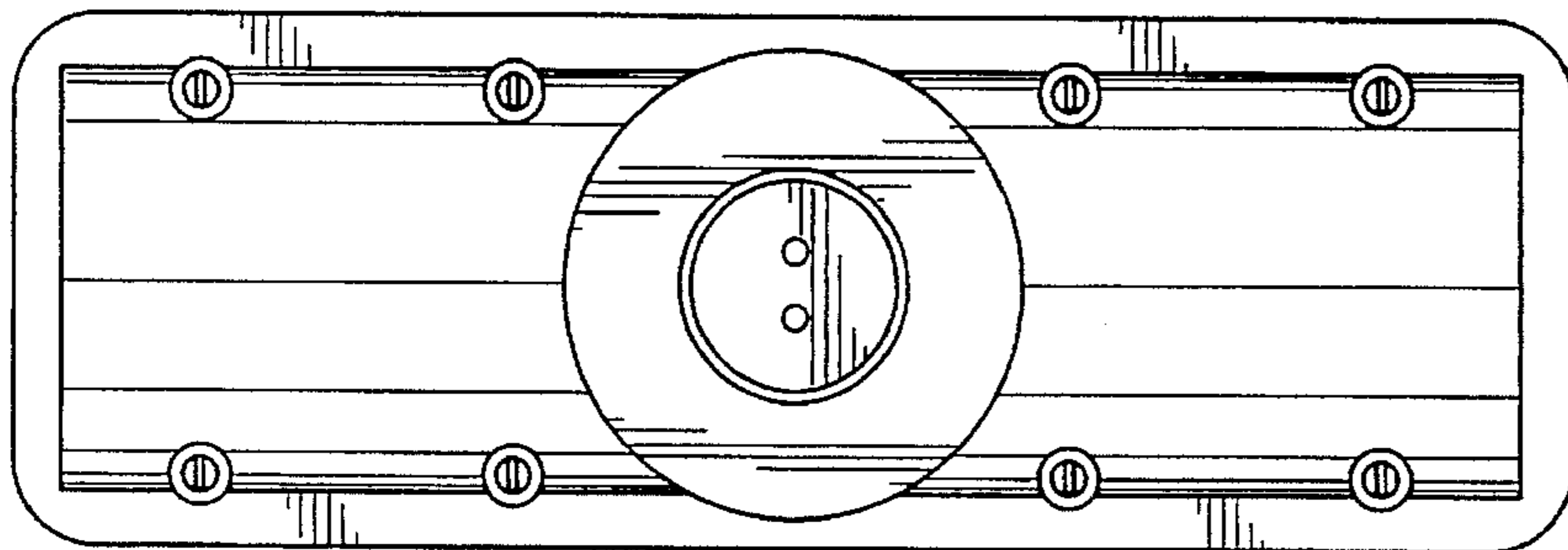


FIG. 2

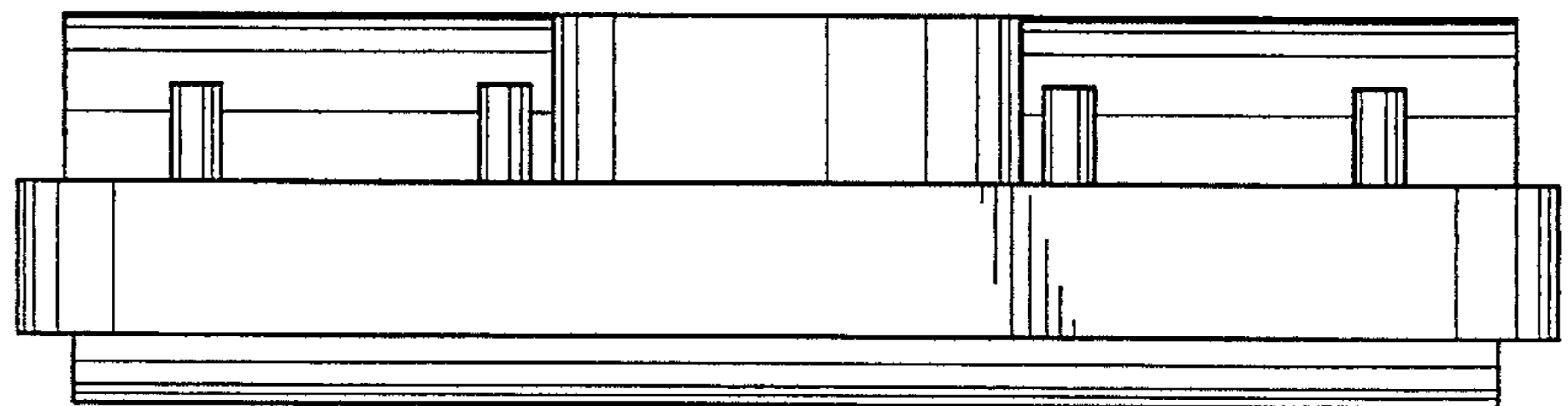


FIG. 3

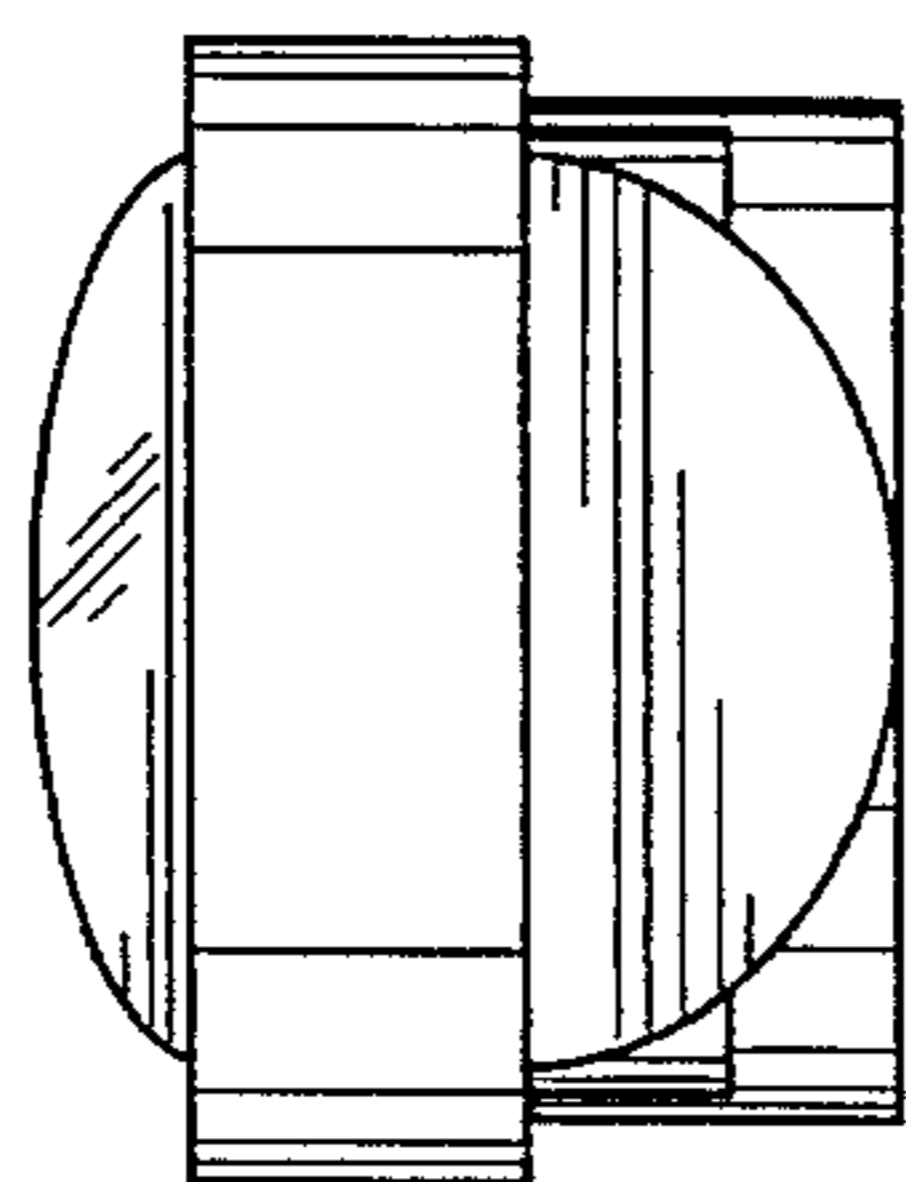


FIG. 4