



US00D377837S

United States Patent [19]
Hollinger

[11] **Patent Number: Des. 377,837**

[45] **Date of Patent: **Feb. 4, 1997**

[54] **NIGHT LIGHT**

[75] **Inventor: Fred Hollinger, Kings Park, N.Y.**

[73] **Assignee: American Tack & Hardware Co., Inc., Monsey, N.Y.**

[**] **Term: 14 Years**

[21] **Appl. No.: 52,831**

[22] **Filed: Apr. 8, 1996**

[52] **U.S. Cl. D26/26; D26/72**

[58] **Field of Search D26/72, 80-92, D26/26, 118; 362/226, 147, 432**

[56] **References Cited**

U.S. PATENT DOCUMENTS

D. 356,168 3/1995 Wang D26/26

Primary Examiner—Susan J. Lucas
Attorney, Agent, or Firm—Hedman, Gibson & Costigan, P.C.

[57] **CLAIM**

The ornamental design for a night light, as shown and described.

DESCRIPTION

FIG. 1 is a front view of a night light according to my design;

FIG. 2 is a right side view of my design which is a mirror image of the left side view of my design;

FIG. 3 is a top view of my design;

FIG. 4 is a bottom view of my design; and,

FIG. 5 is a back view of my design.

1 Claim, 2 Drawing Sheets

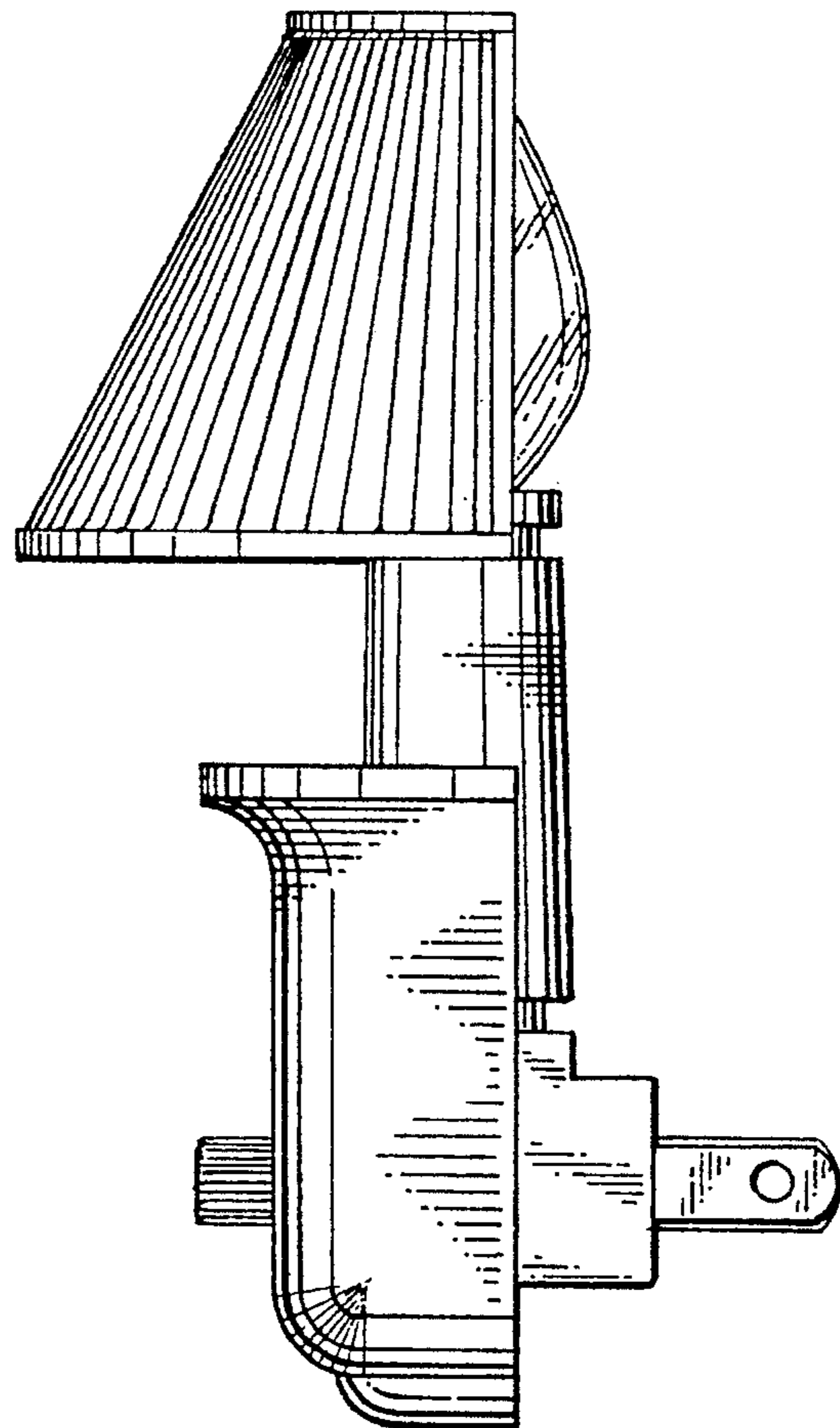
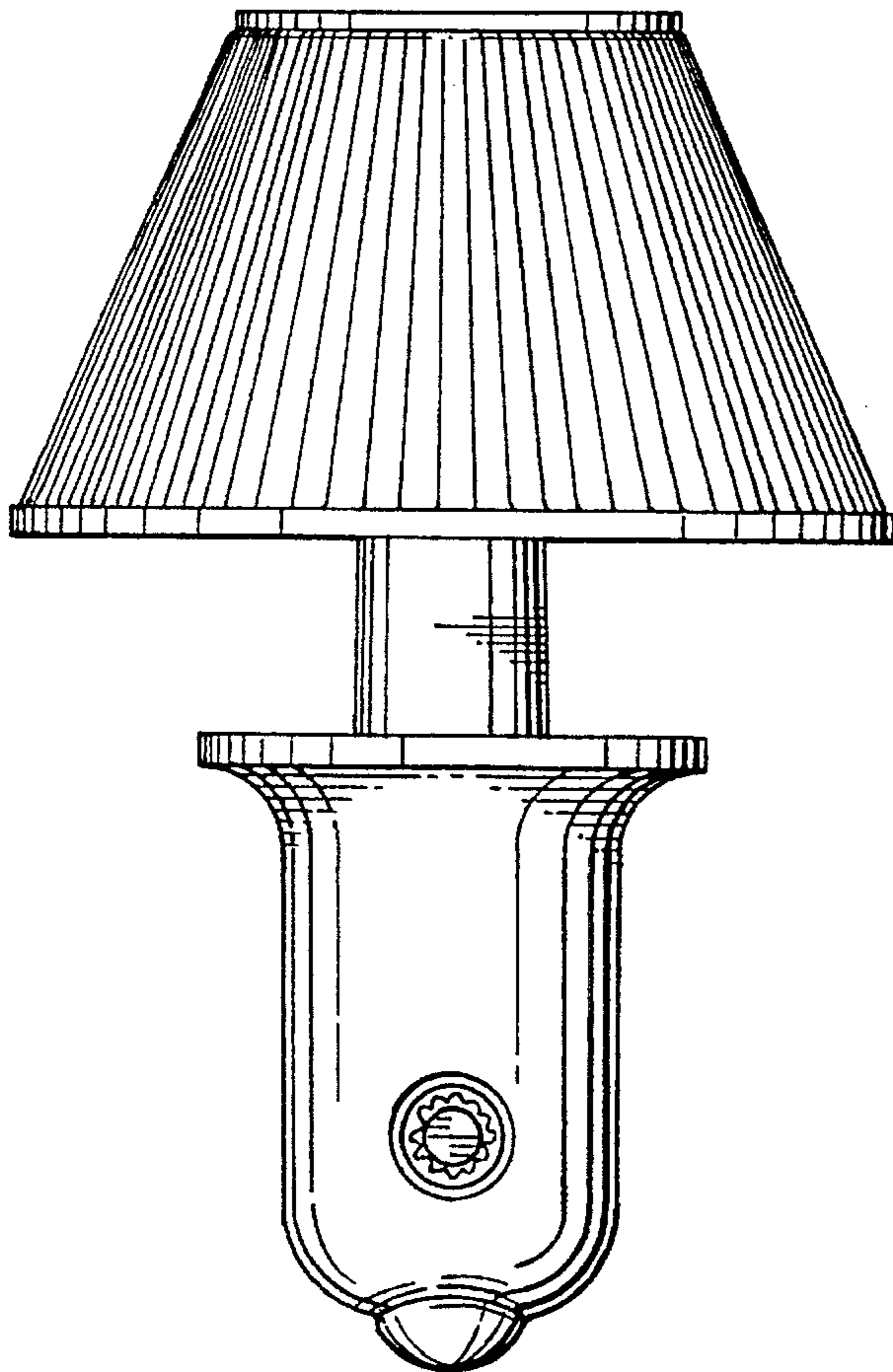


FIG. 1

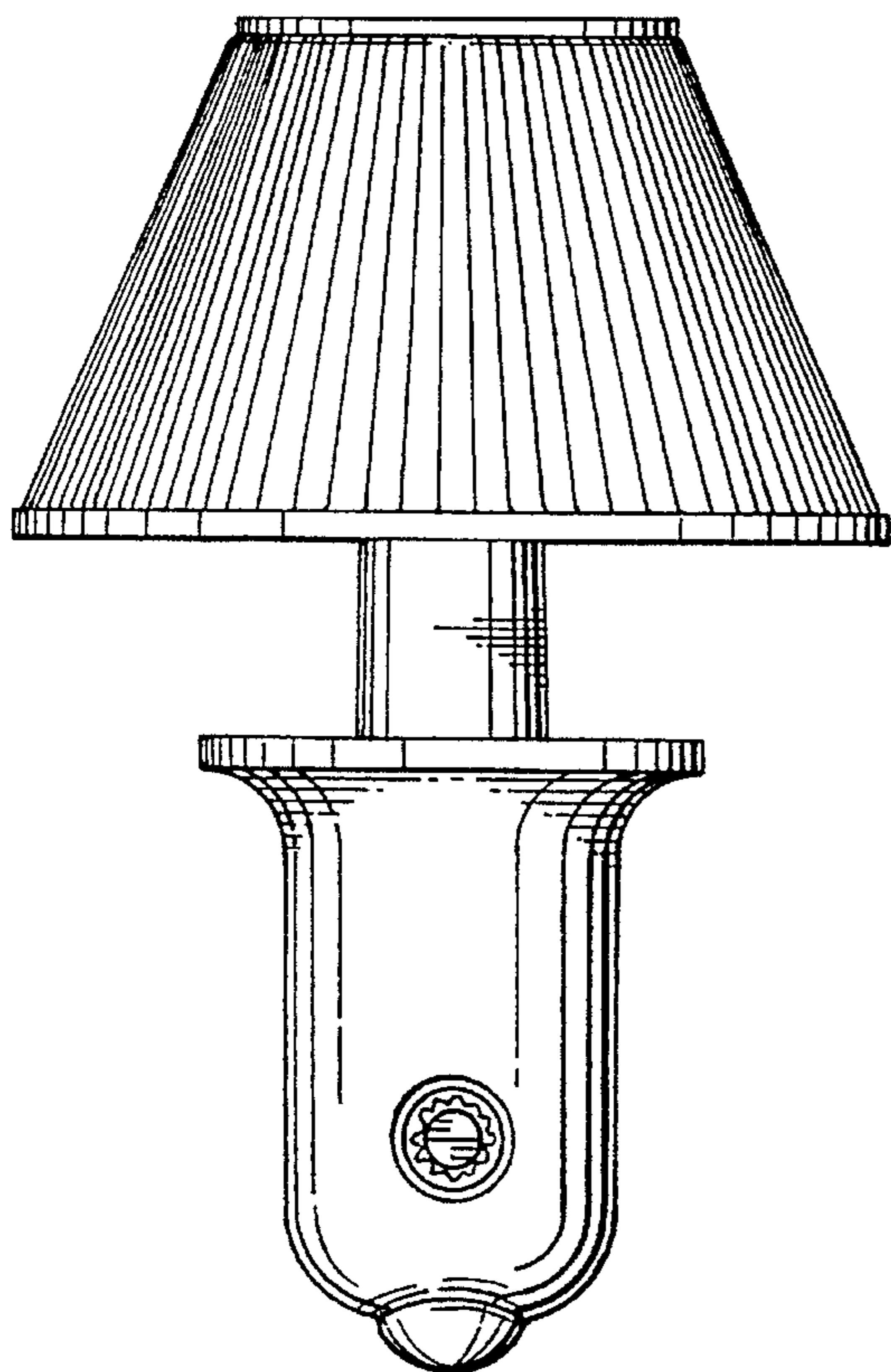


FIG. 2

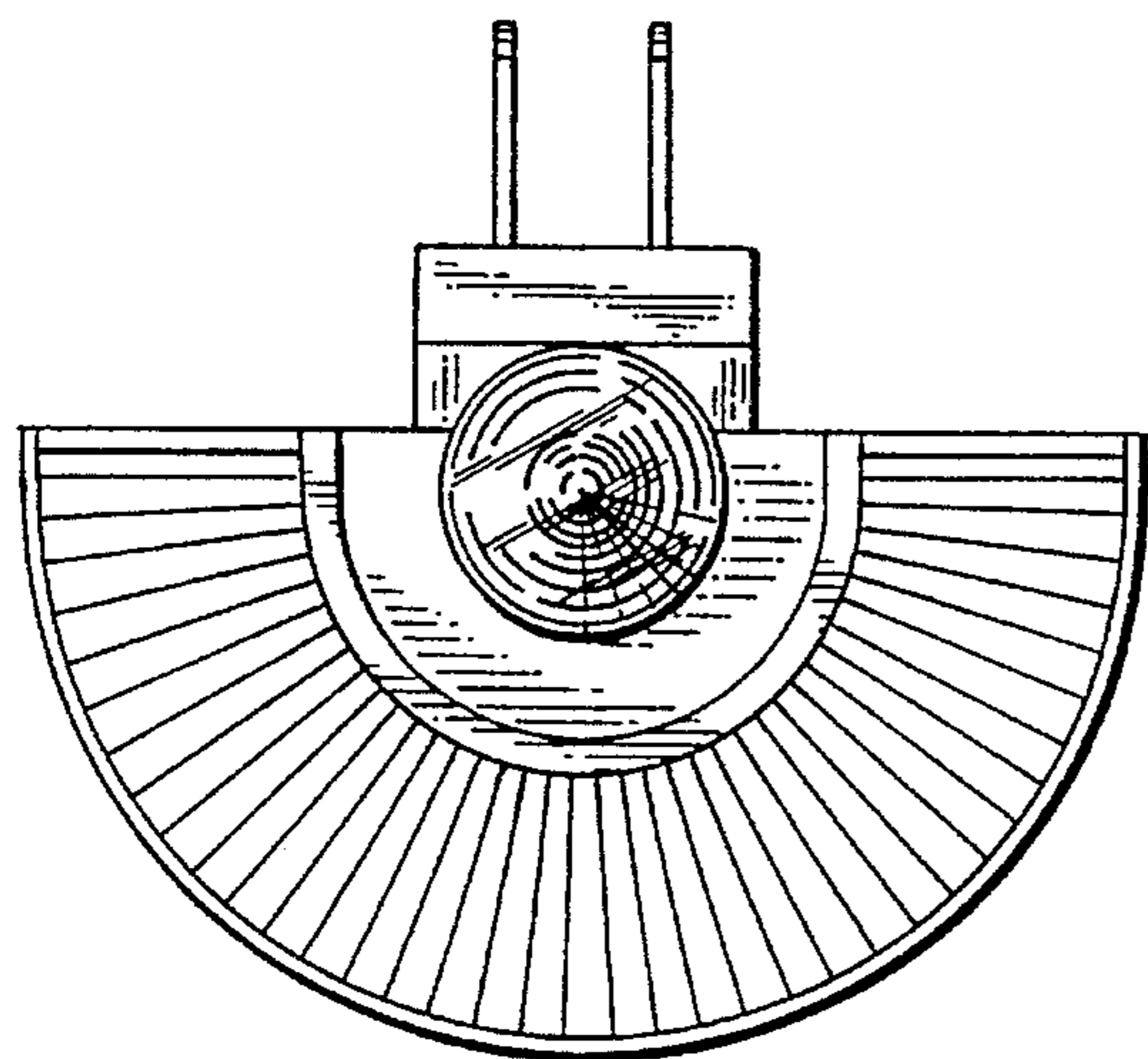
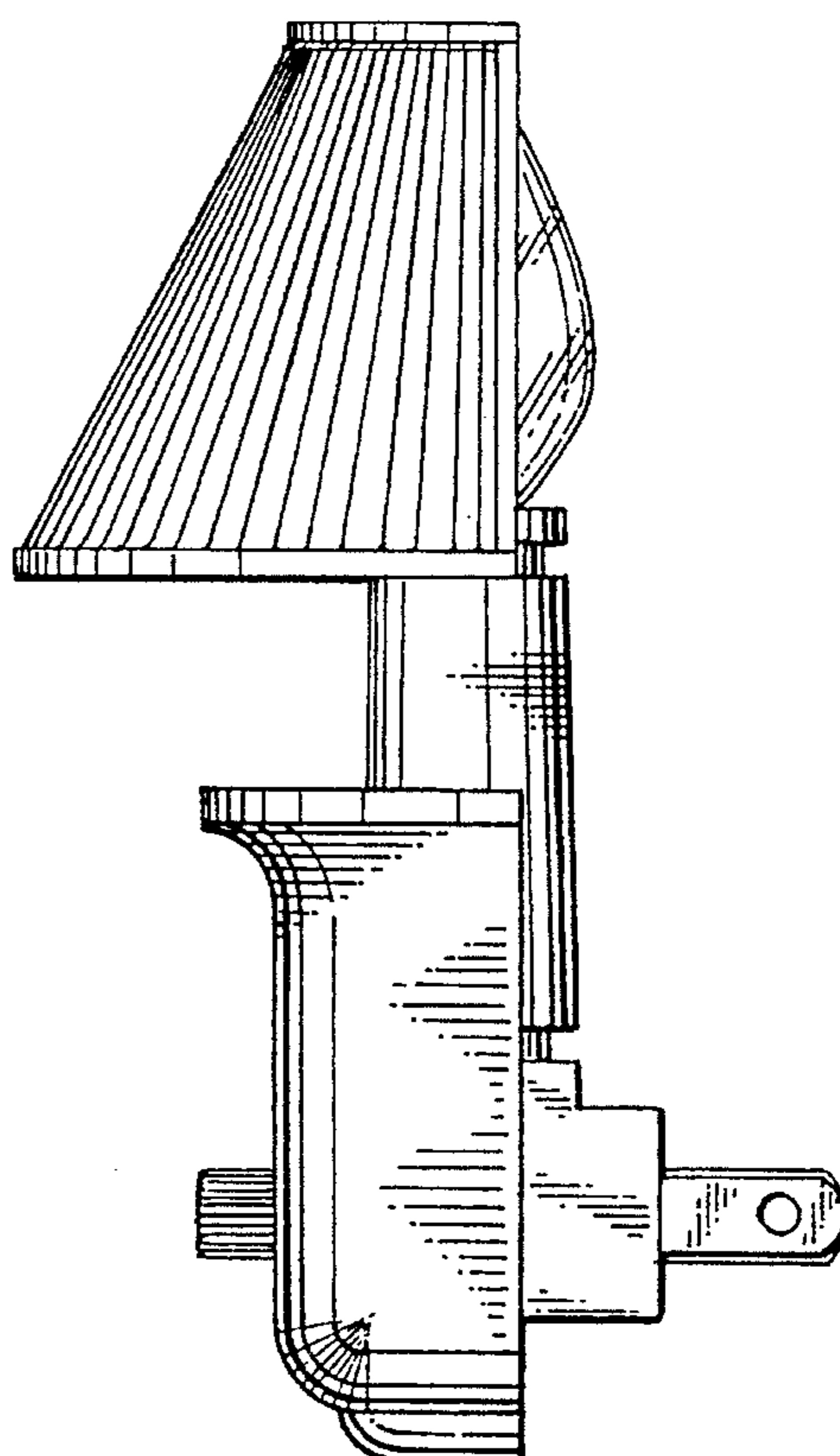


FIG. 3

FIG. 4

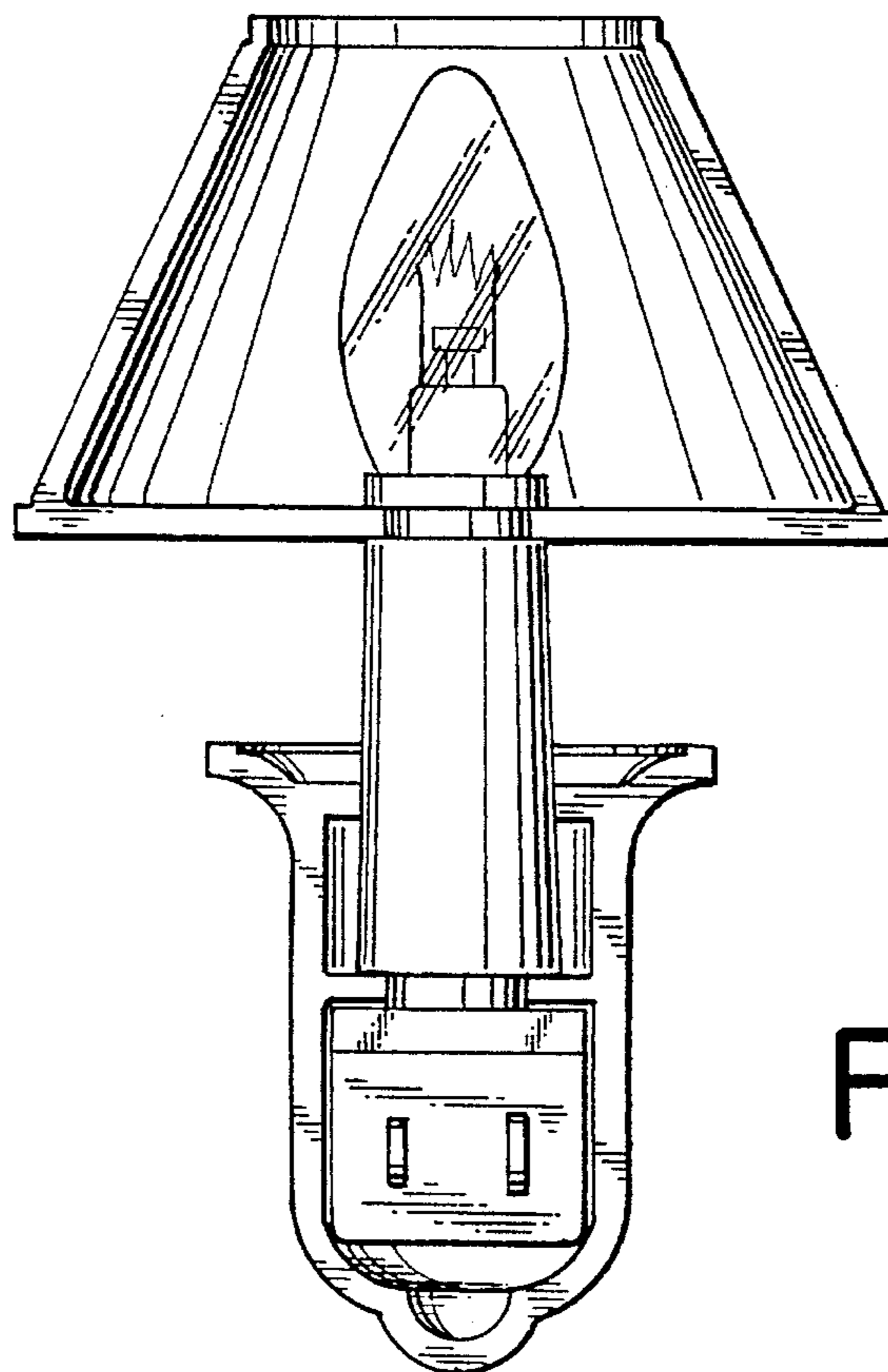
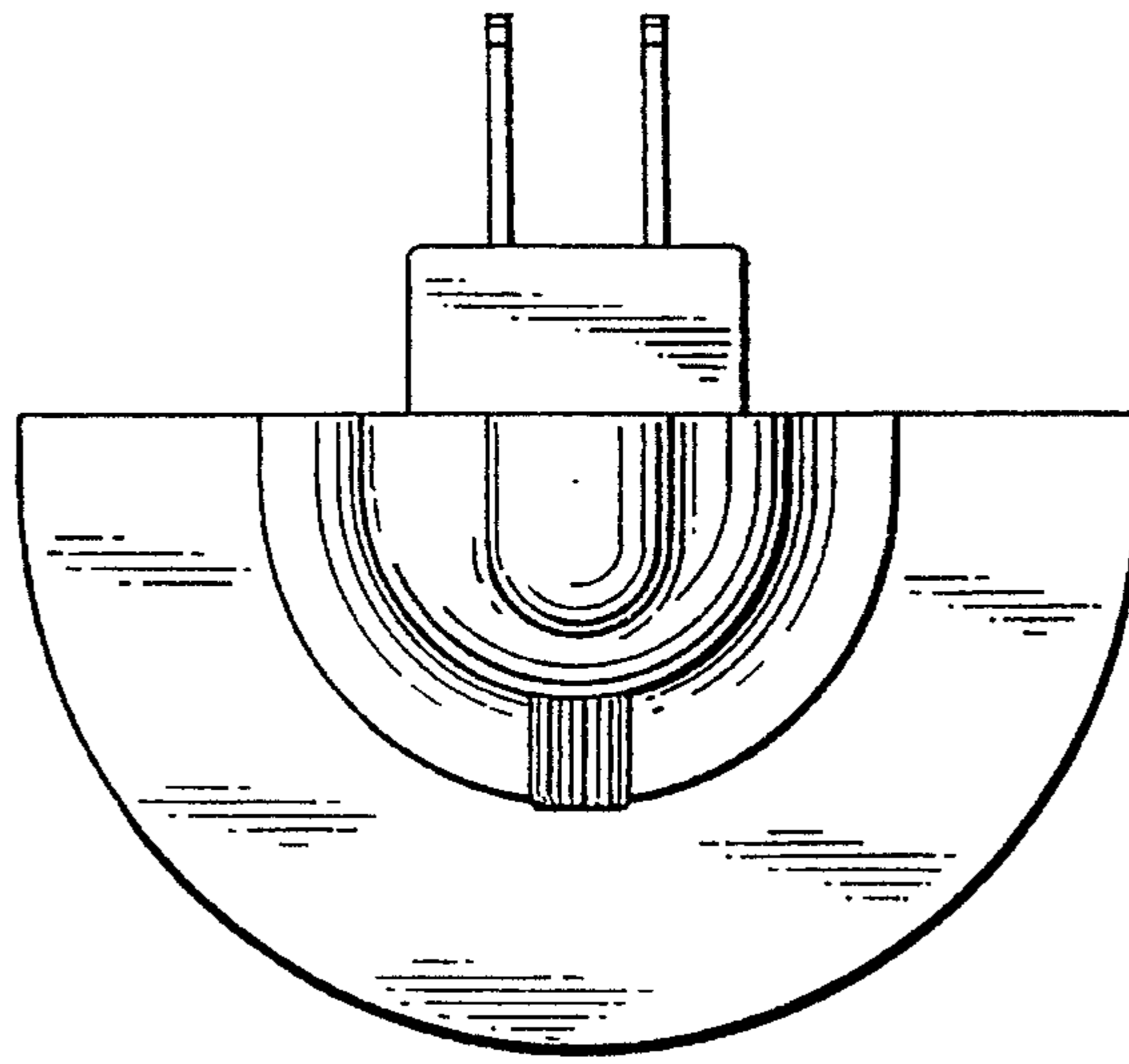


FIG. 5