



US00D377836S

United States Patent [19]

Miller et al.

[11] Patent Number: **Des. 377,836**

[45] Date of Patent: ****Feb. 4, 1997**

[54] MAILBOX POST

[76] Inventors: **Kenneth A. Miller; Stanley R. Miller,**
both of 6835 Case Rd., North
Ridgeville, Ohio 44039-2755

[**] Term: **14 Years**

[21] Appl. No.: **51,639**

[22] Filed: **Mar. 14, 1996**

[52] U.S. Cl. **D25/126**

[58] Field of Search **D25/126, 127;**
52/301; 248/156

[56] **References Cited**

U.S. PATENT DOCUMENTS

D. 314,054 1/1991 Meyer D25/126
4,951,904 8/1990 Obenshain 248/156

Primary Examiner—Doris Clark

Attorney, Agent, or Firm—Pearne, Gordon, McCoy & Granger

[57] **CLAIM**

The ornamental design for a mailbox post, as shown and described.

DESCRIPTION

FIG. 1 is a perspective view of a mailbox post, showing our new design, the broken lines showing a mailbox is for illustrative purposes only, and form no part of the claimed design;

FIG. 2 is a left side elevational view of a mailbox post, the right side elevational view being a mirror image thereof;

FIG. 3 is a front elevational view thereof;

FIG. 4 is a top plan view thereof;

FIG. 5 is a rear elevational view thereof; and,

FIG. 6 is a bottom plan view thereof.

1 Claim, 2 Drawing Sheets

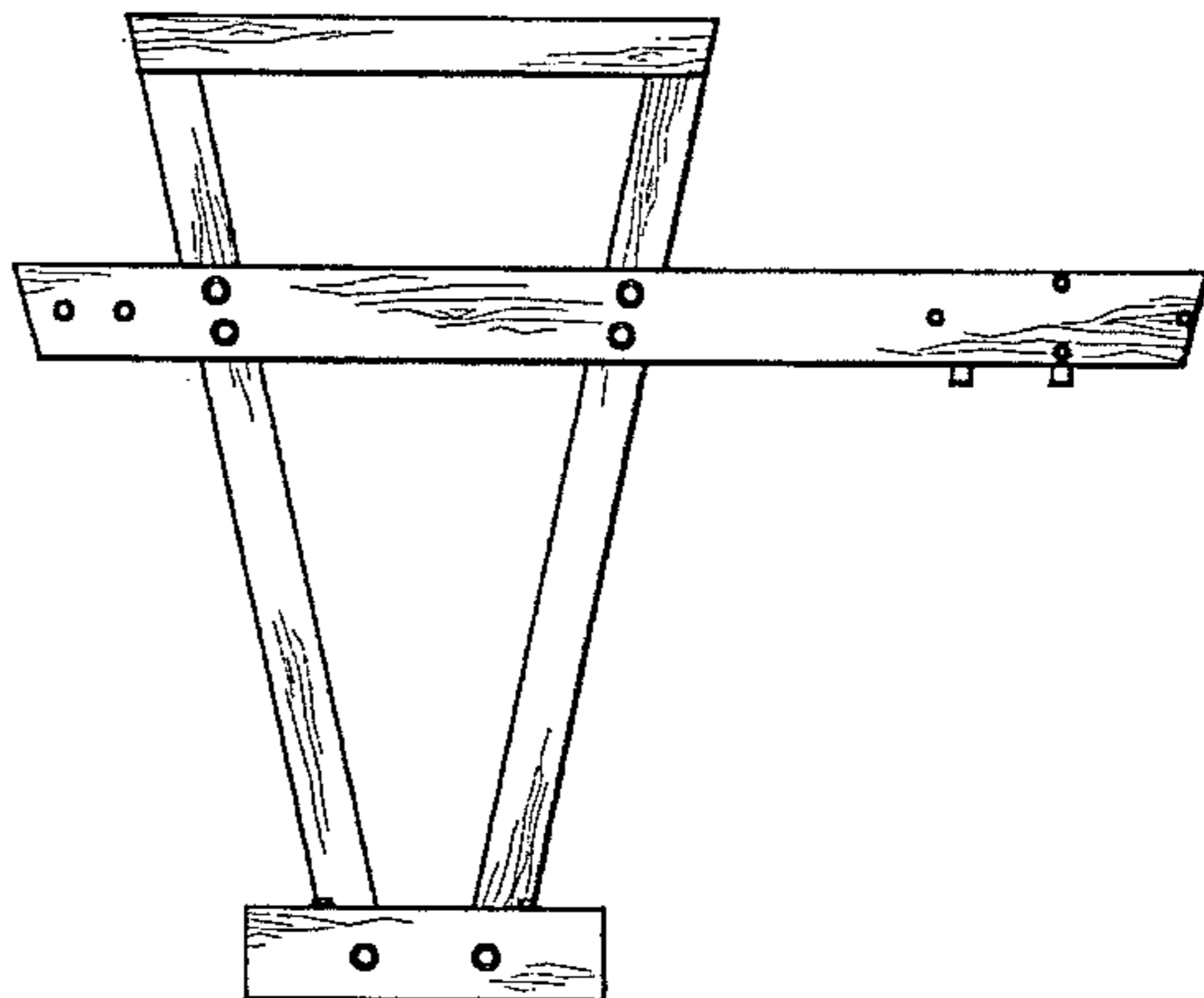
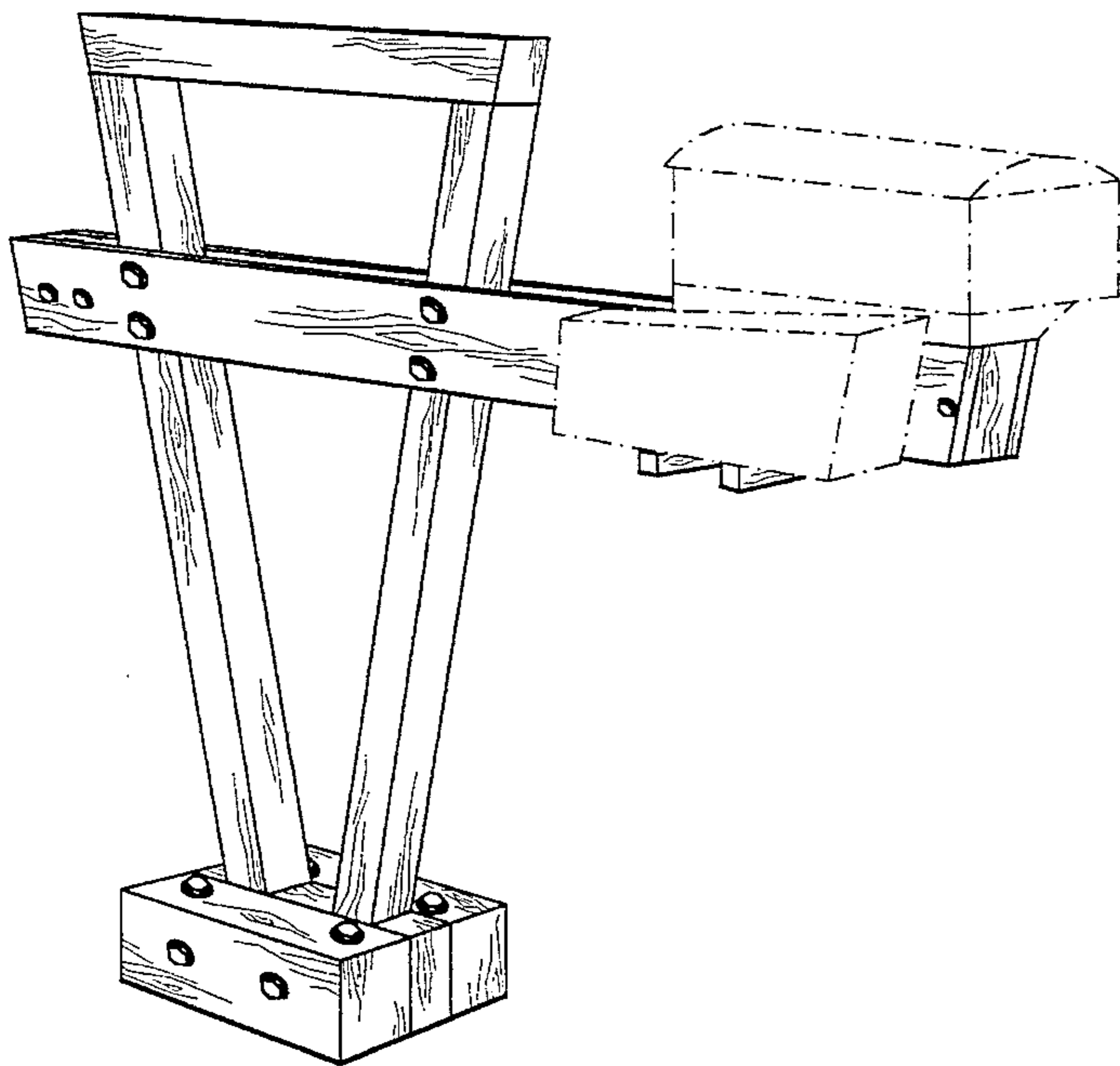
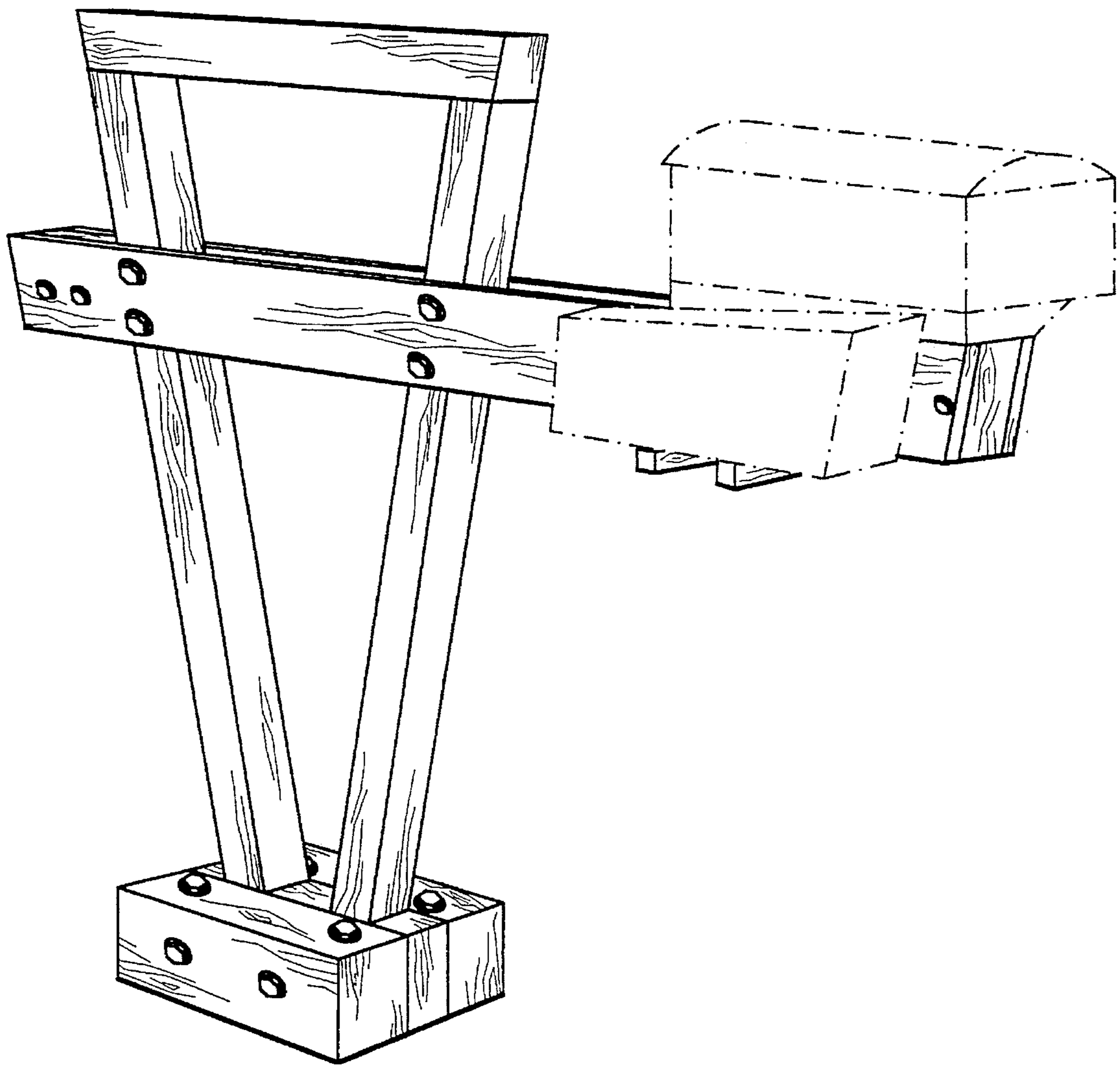


Fig. 1



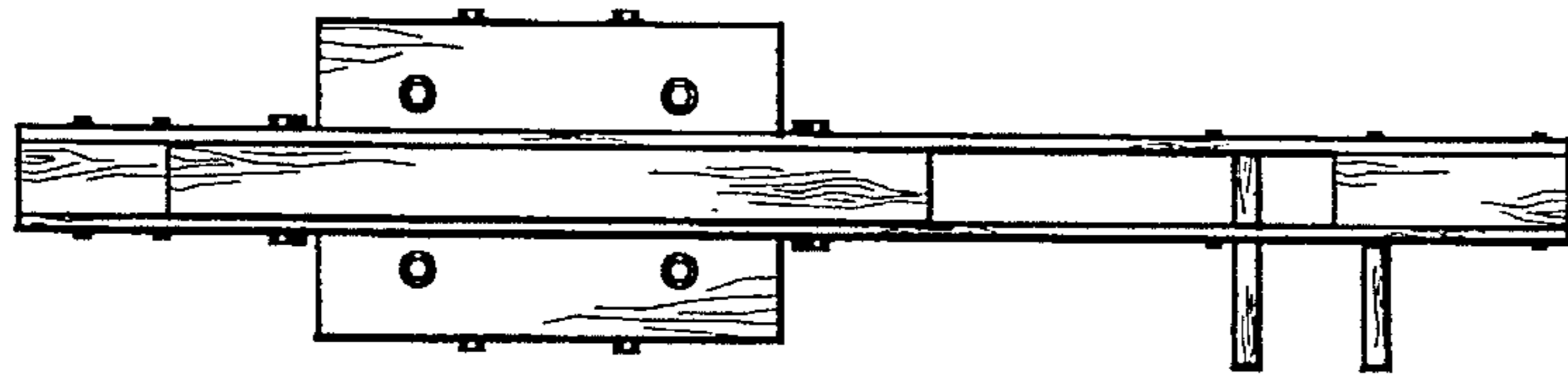


Fig.4

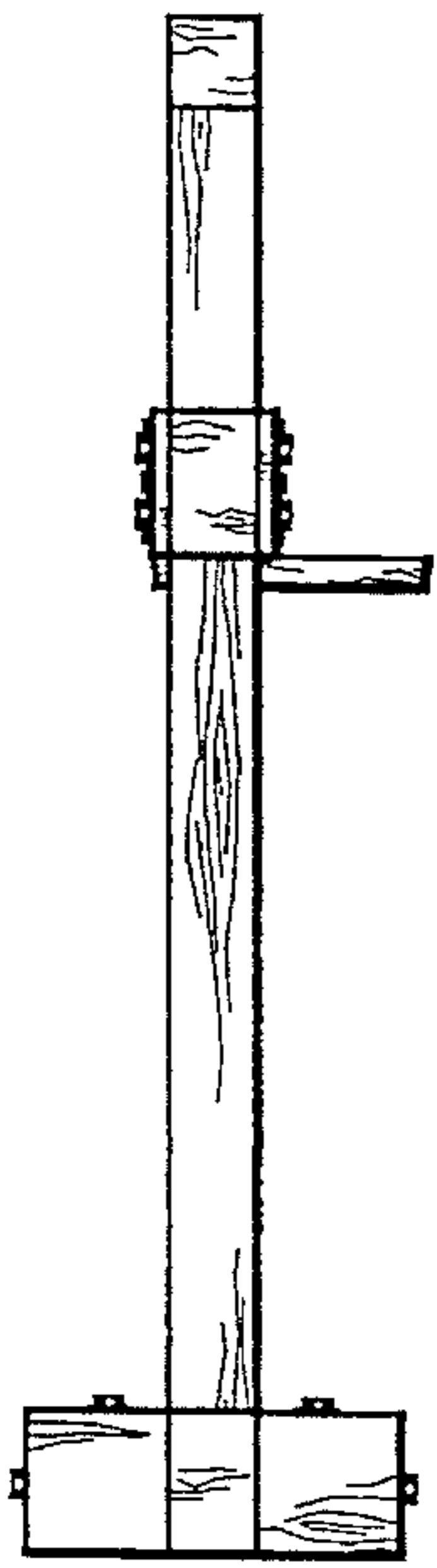


Fig.5

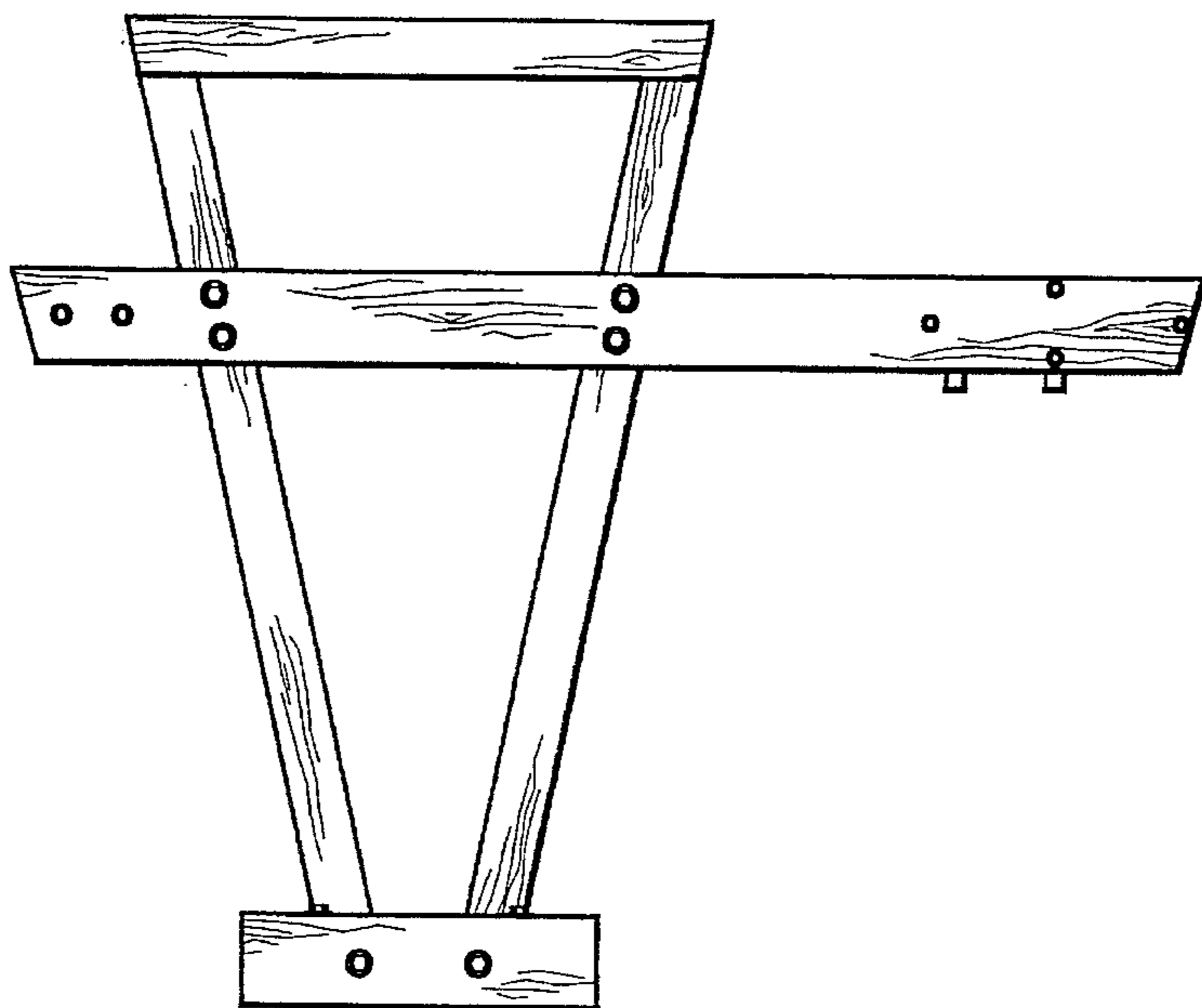


Fig.2

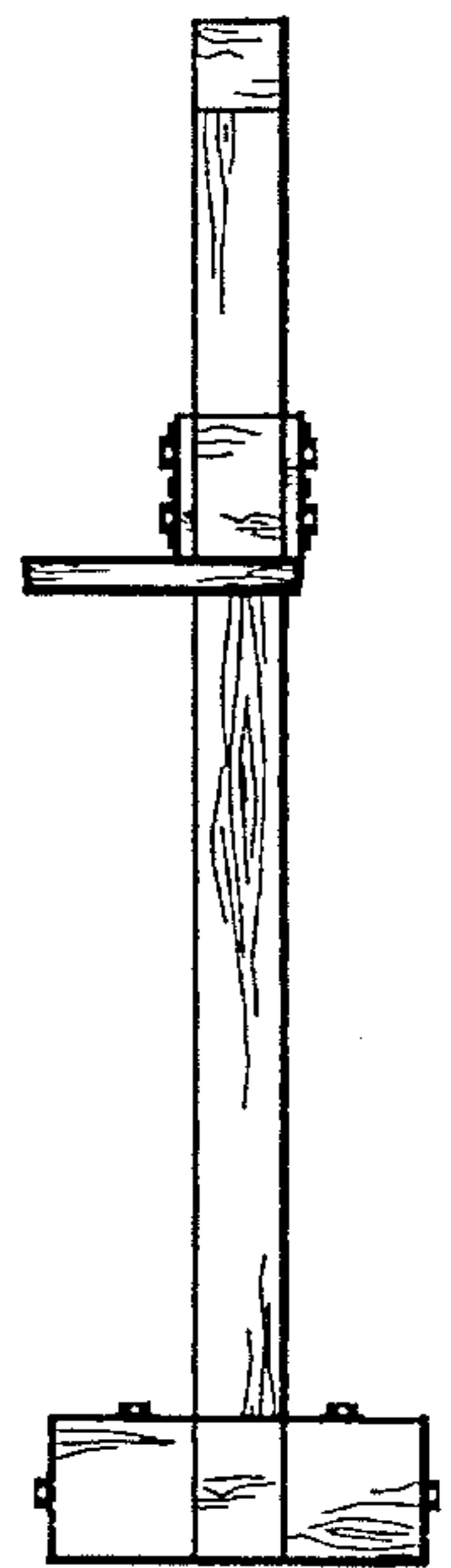


Fig.3

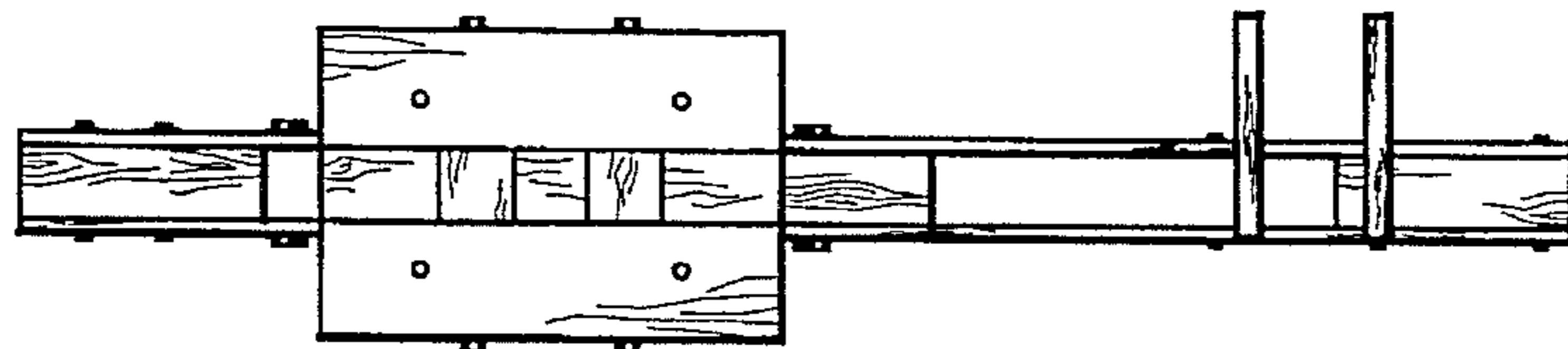


Fig.6