



US00D377835S

# United States Patent [19]

Fisher, III et al.

[11] Patent Number: **Des. 377,835**

[45] Date of Patent: **\*\*Feb. 4, 1997**

[54] **COMBINED SKYLIGHT AND BASE**

4,589,239 5/1986 Cummings ..... 52/200

[76] Inventors: **Gilbert F. Fisher, III**, 556 Laurel Wood Ct., Marietta, Ga. 30064; **John C. Roberts**, 1125 Pinar Dr., Orlando, Fla. 32825

*Primary Examiner*—Doris Clark  
*Attorney, Agent, or Firm*—James A. Hudak

[\*\*] Term: **14 Years**

[57] **CLAIM**

The ornamental design for a combined skylight and base, as shown and described.

[21] Appl. No.: **48,572**

**DESCRIPTION**

[22] Filed: **Jan. 4, 1995**

[52] U.S. Cl. .... **D25/52**

[58] Field of Search ..... D25/52; 52/200, 52/201

FIG. 1 is a perspective view of a combined skylight and base showing our new design;

FIG. 2 is a front elevational view thereof, the rear elevational view being a mirror image of the view shown in this Figure;

FIG. 3 is a top plan view thereof;

FIG. 4 is a left side elevational view thereof, the right side elevational view being a mirror image of the view shown in this Figure; and,

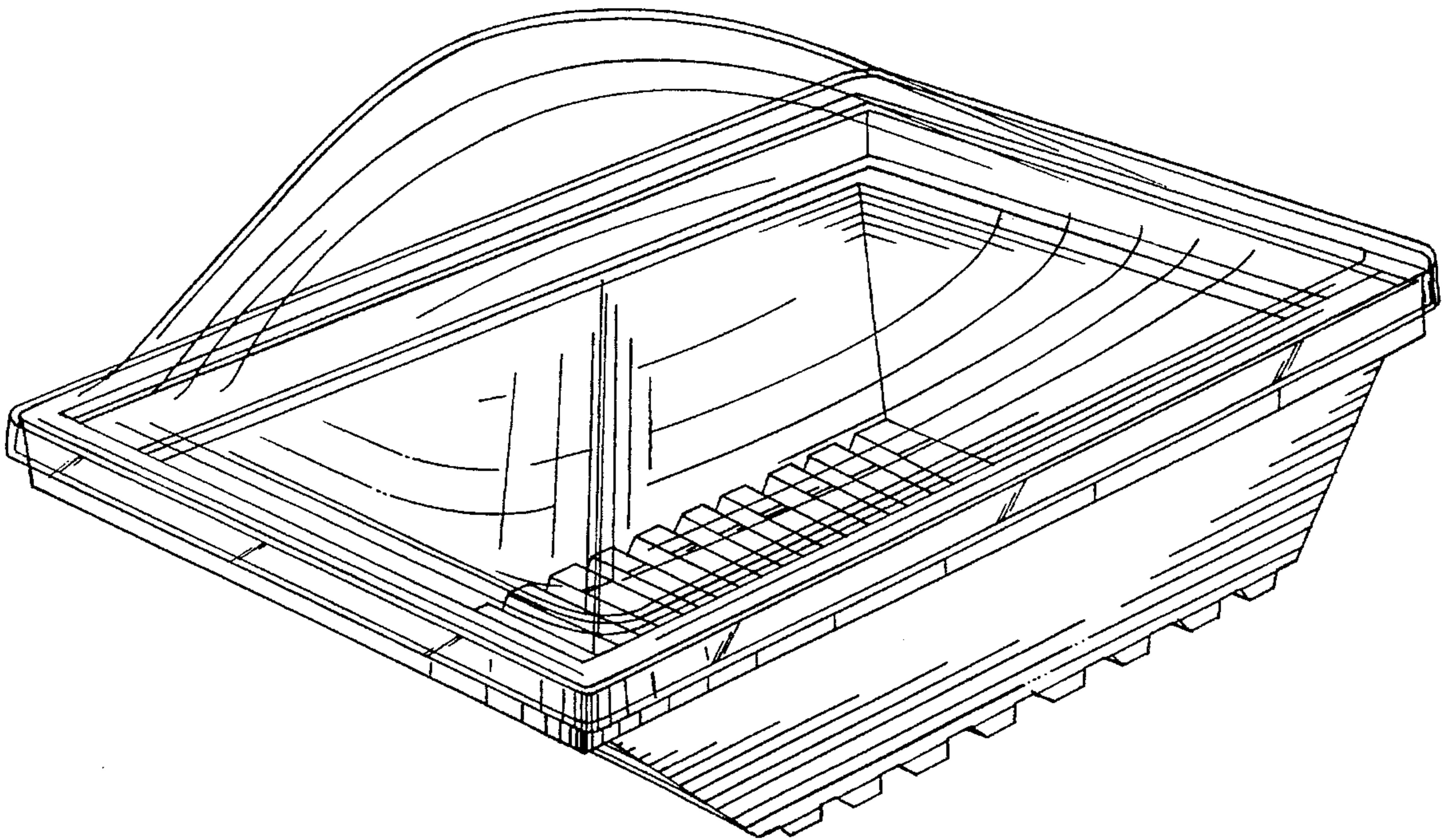
FIG. 5 is a bottom plan view thereof.

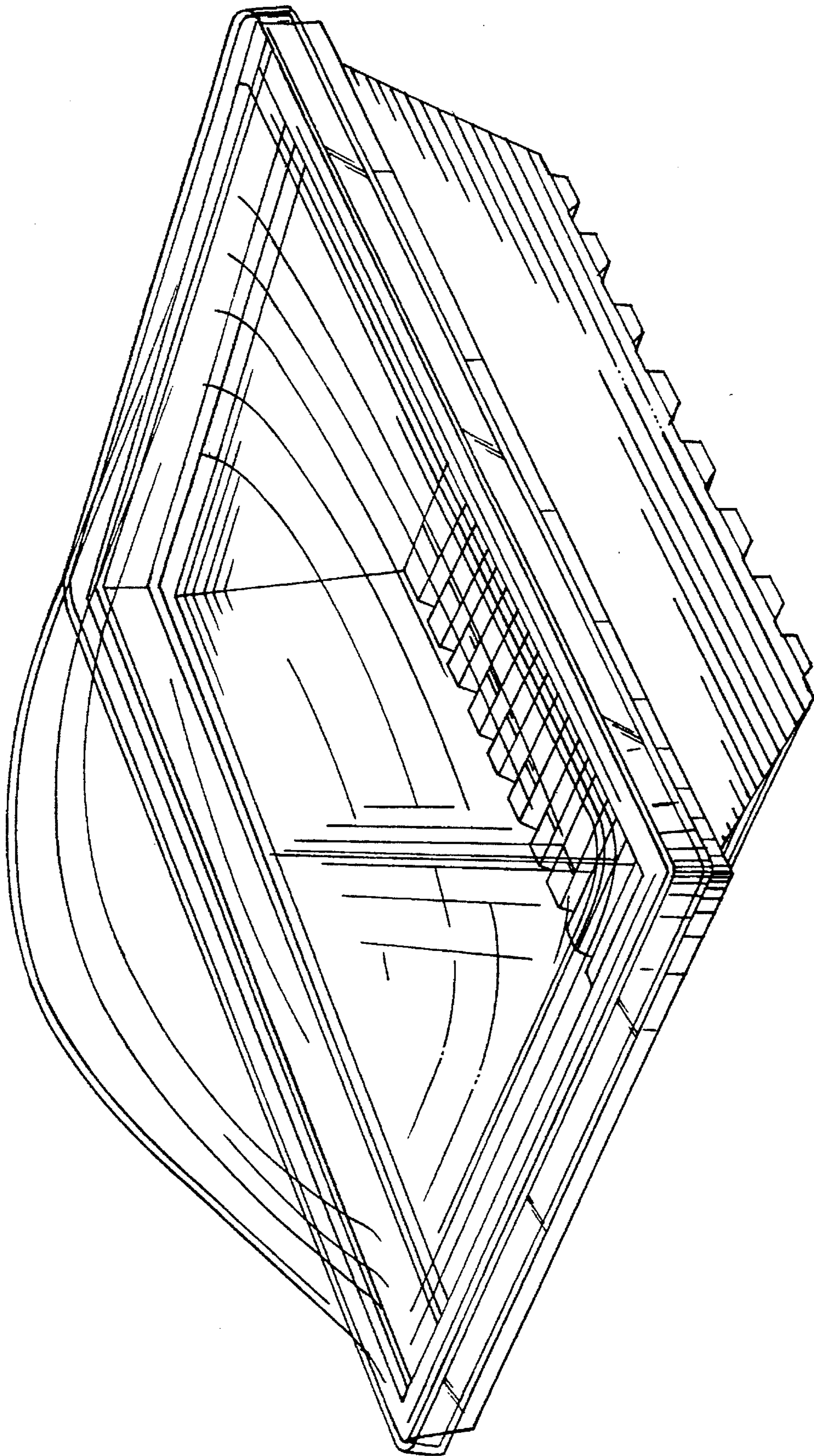
[56] **References Cited**

**U.S. PATENT DOCUMENTS**

- D. 328,795 8/1992 Yamaguchi et al. .... D25/52
- D. 329,694 9/1992 Wimberly ..... D25/52
- 4,577,619 3/1986 Howe, Jr. .... 52/200

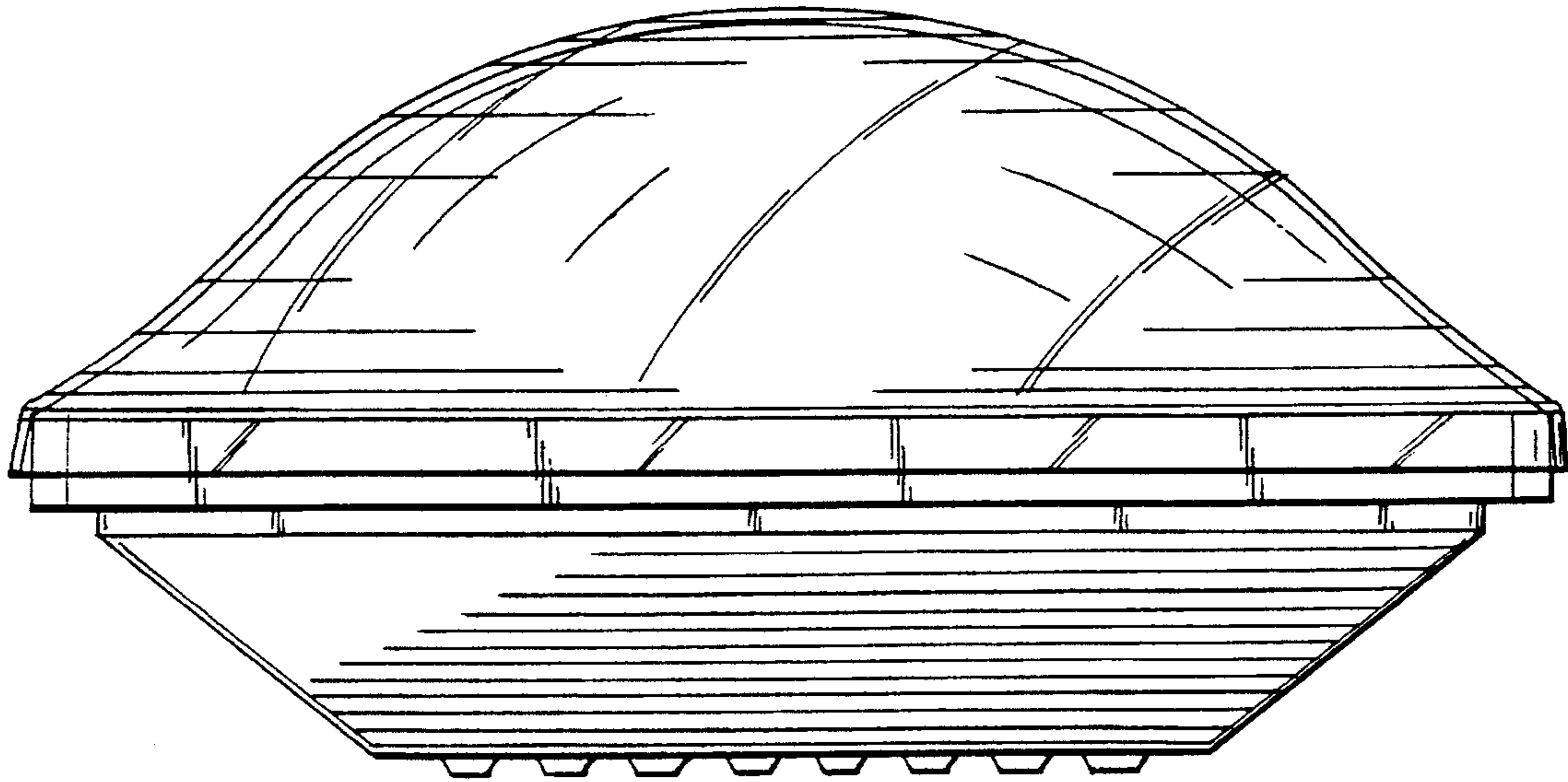
**1 Claim, 3 Drawing Sheets**



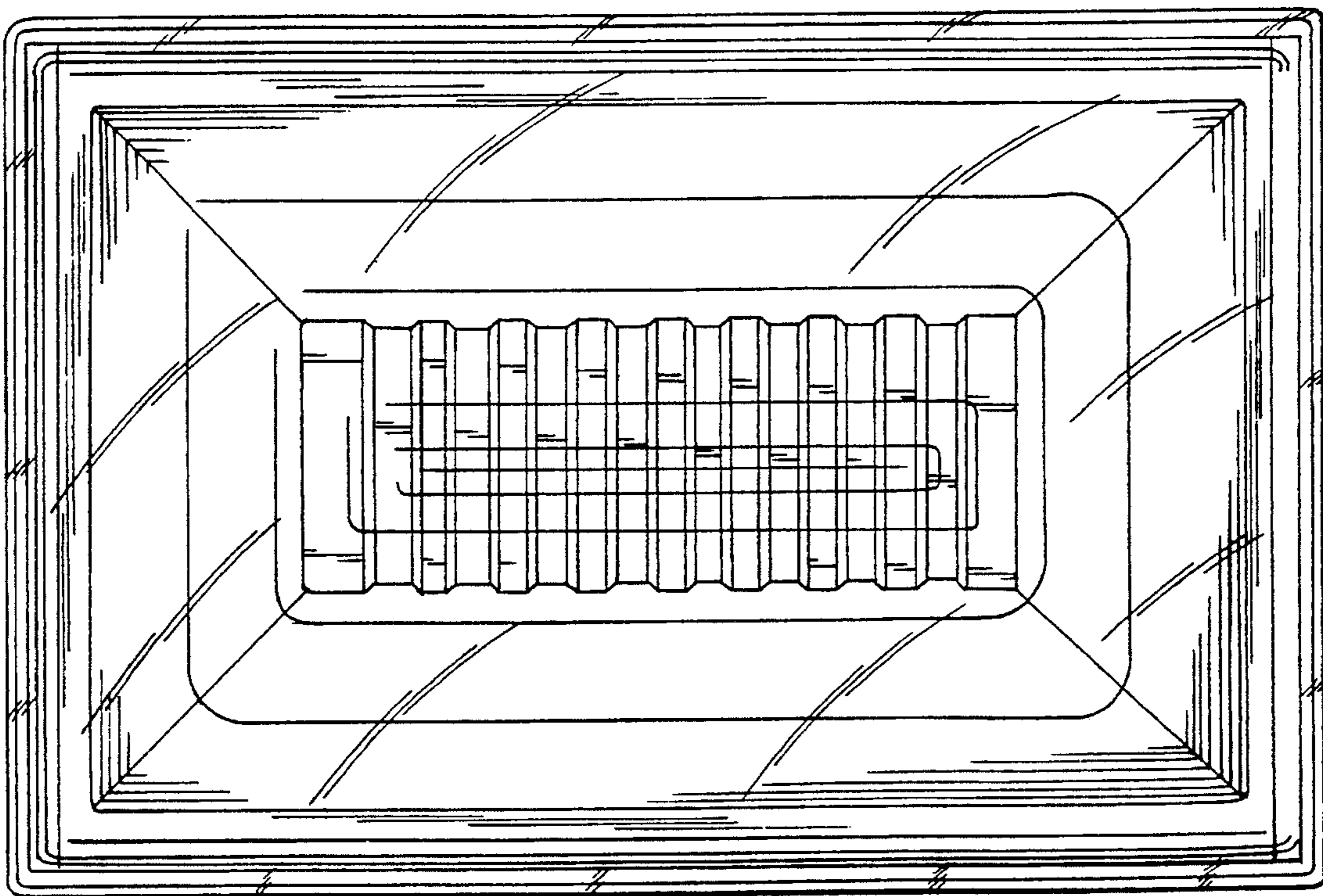


*Fig. 1*

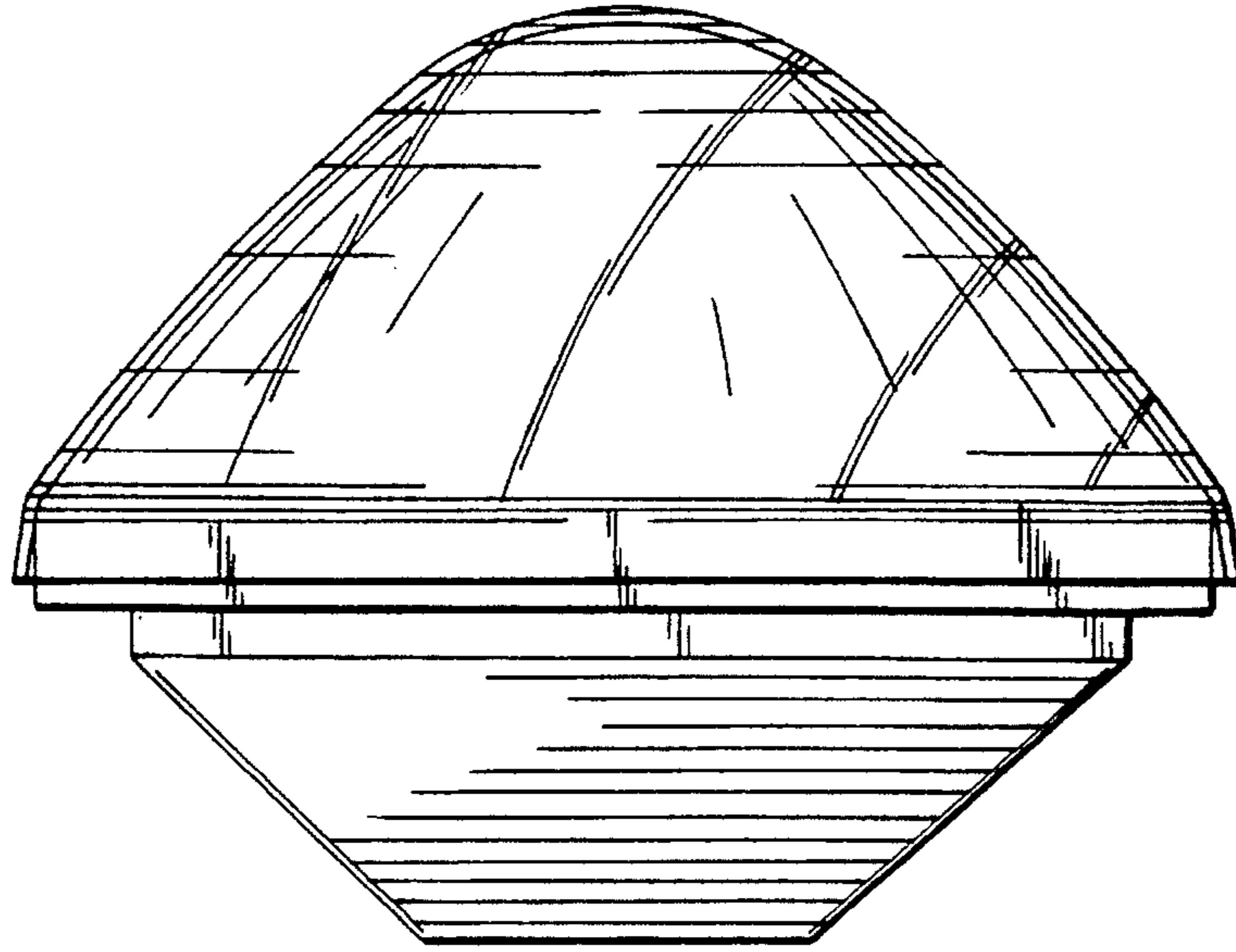




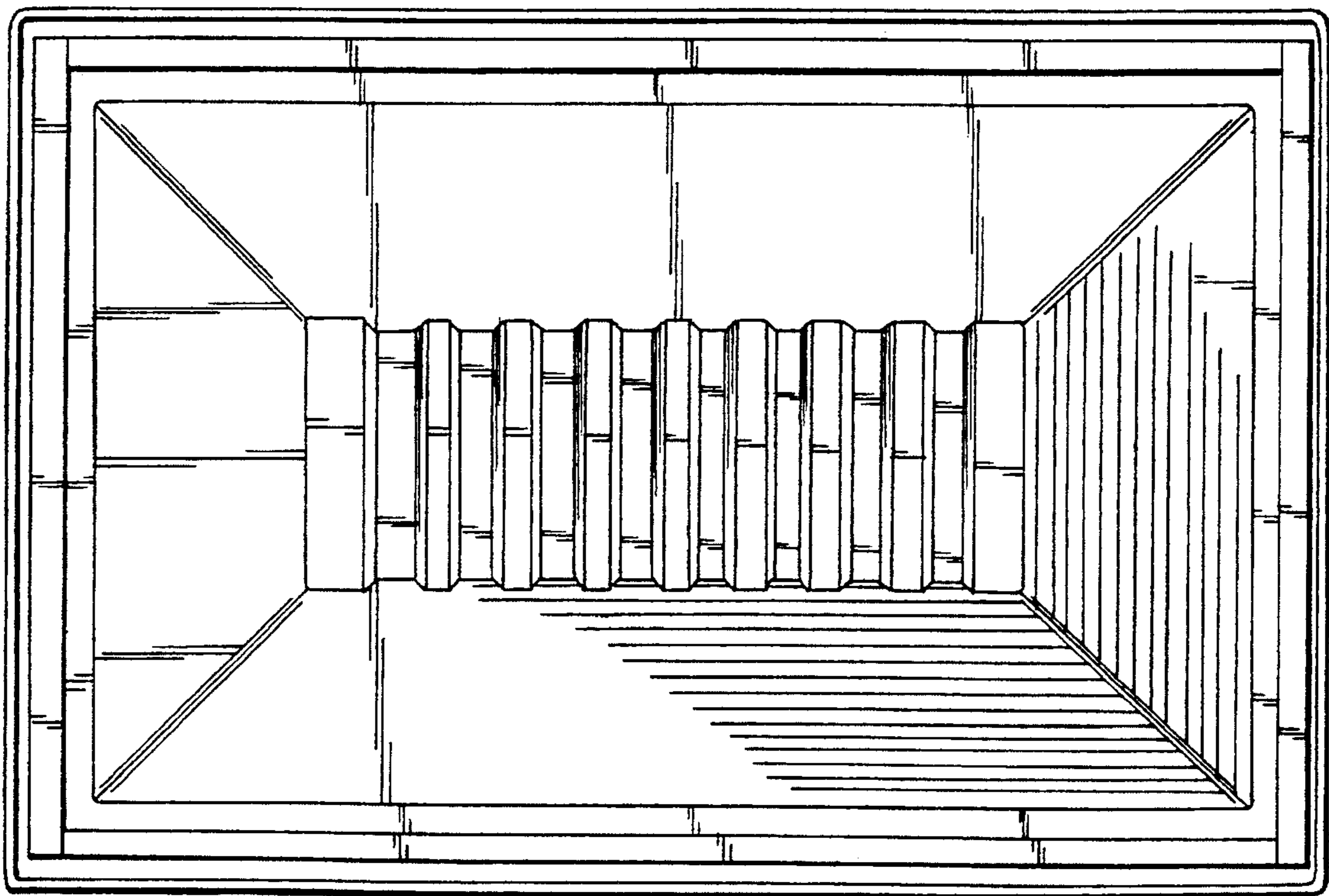
*Fig. 2*



*Fig. 3*



*Fig. 4*



*Fig. 5*