



US00D377830S

United States Patent [19]

[11] **Patent Number:** **Des. 377,830**

Lai

[45] **Date of Patent:** ****Feb. 4, 1997**

[54] **DISPENSING SYRINGE FOR ORAL MEDICATION**

5,244,122	9/1993	Butts	604/77
5,395,392	2/1995	Suhonen	604/234
5,431,680	7/1995	Jones	606/234 X
5,487,750	1/1996	Burchett et al.	606/236

[76] **Inventor:** **Wen C. Lai**, 7th, No. 56, Chu Lun Street, Taipei, Taiwan

[**] **Term:** **14 Years**

Primary Examiner—Louis S. Zarfaz
Assistant Examiner—I. Simmons
Attorney, Agent, or Firm—Charles E. Baxley, Esq.

[21] **Appl. No.:** **47,502**

[57] **CLAIM**

[22] **Filed:** **Dec. 6, 1995**

The ornamental design for a dispensing syringe for oral medication, as shown and described.

[52] **U.S. Cl.** **D24/114; D24/194**

[58] **Field of Search** D24/114, 112, D24/116, 115, 130, 196, 194, 197; 606/236, 234; 215/11.1, 11.5, 11.6; 604/236, 77, 56, 218

DESCRIPTION

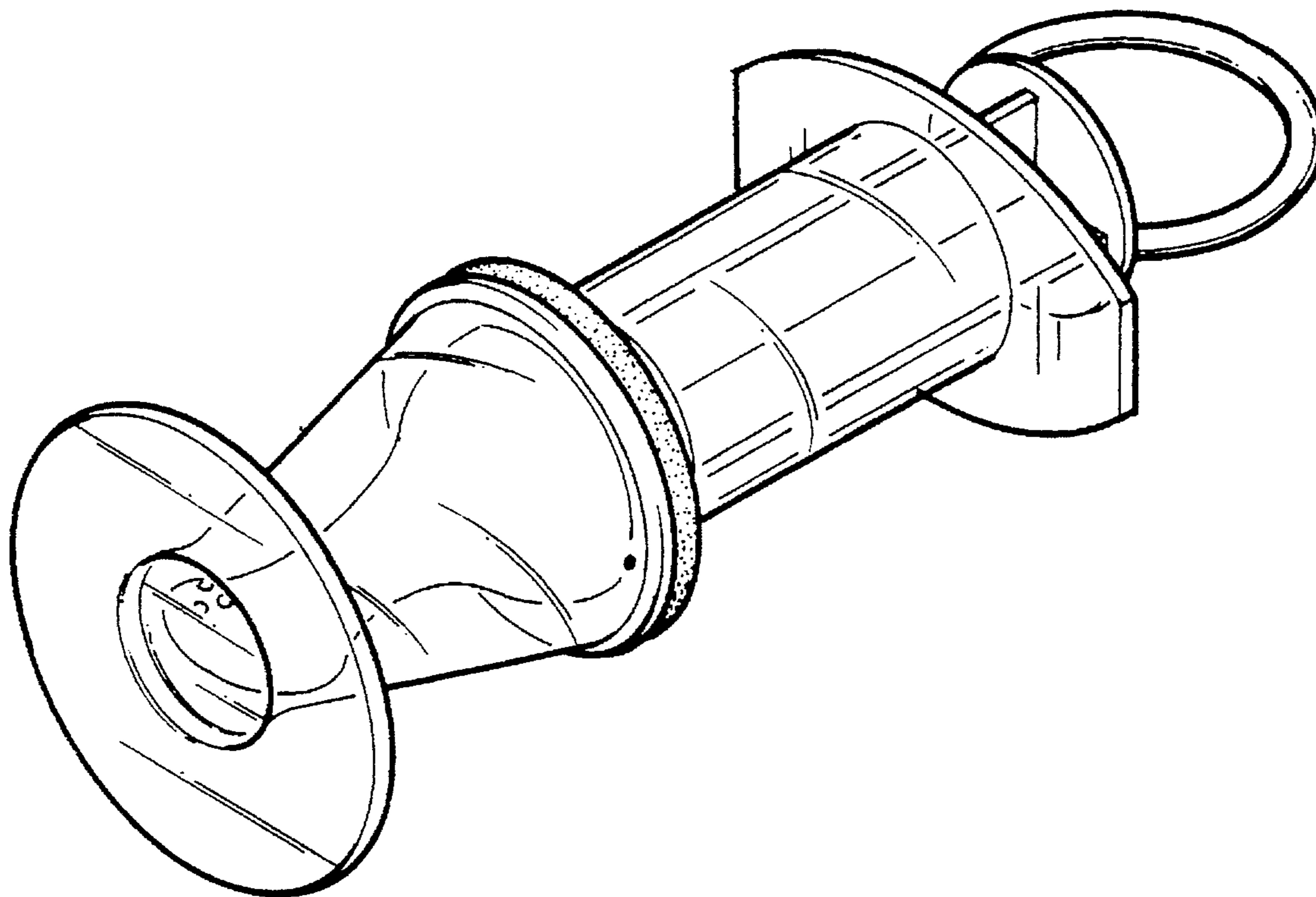
FIG. 1 is a perspective view of a dispensing syringe for oral medication;
FIG. 2 is a front elevational view thereof, and the right side view being a mirror image of that shown;
FIG. 3 is a left side elevational view thereof;
FIG. 4 is a right side elevational view thereof;
FIG. 5 is a top plan view thereof; and,
FIG. 6 is a bottom plan view thereof.

[56] **References Cited**

U.S. PATENT DOCUMENTS

D. 335,187	4/1993	Stege	D24/194 X
D. 353,461	12/1994	Byrd	D24/194
3,572,337	3/1971	Schunk	604/77
4,127,126	11/1978	Schunk	604/77

1 Claim, 2 Drawing Sheets



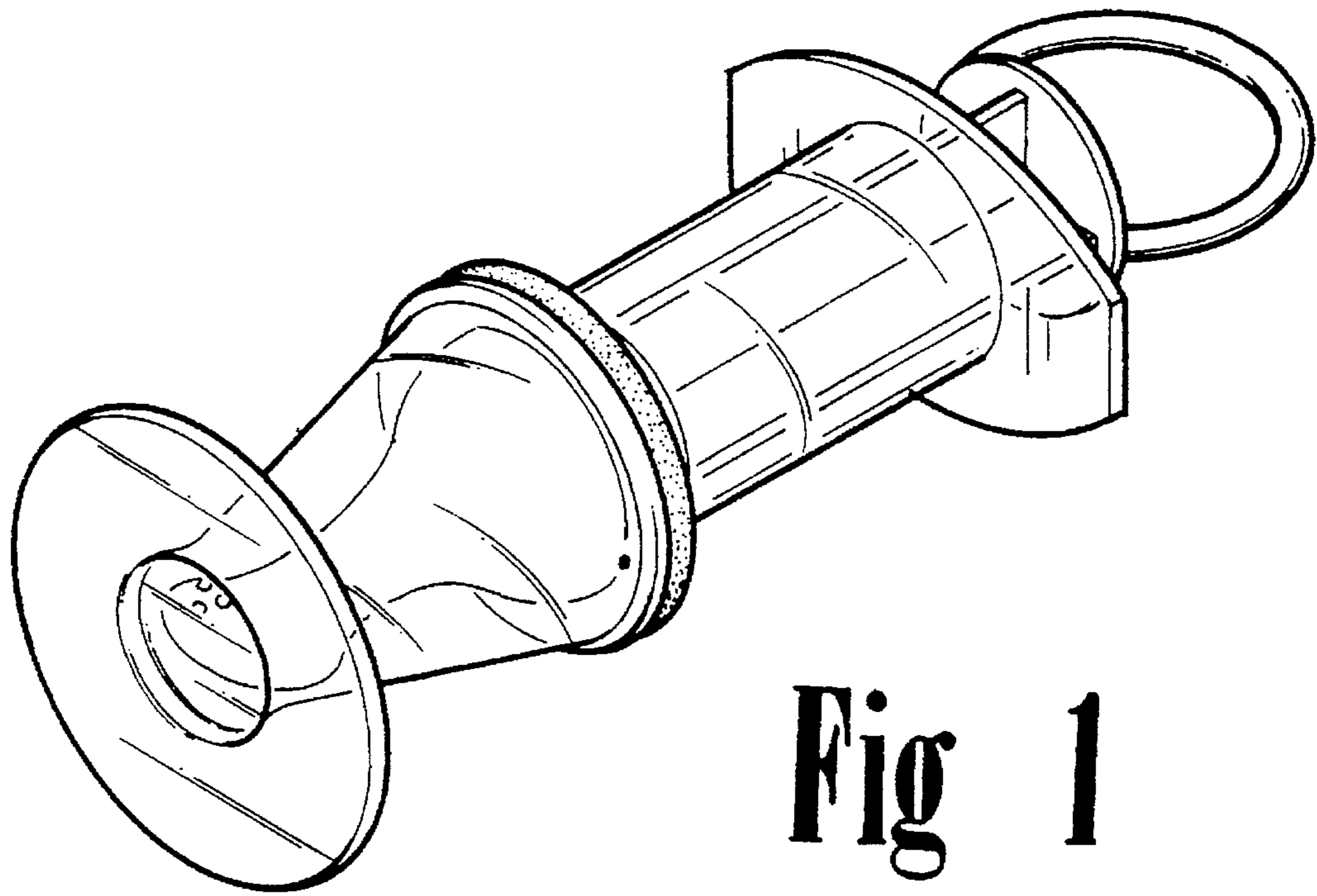


Fig 1

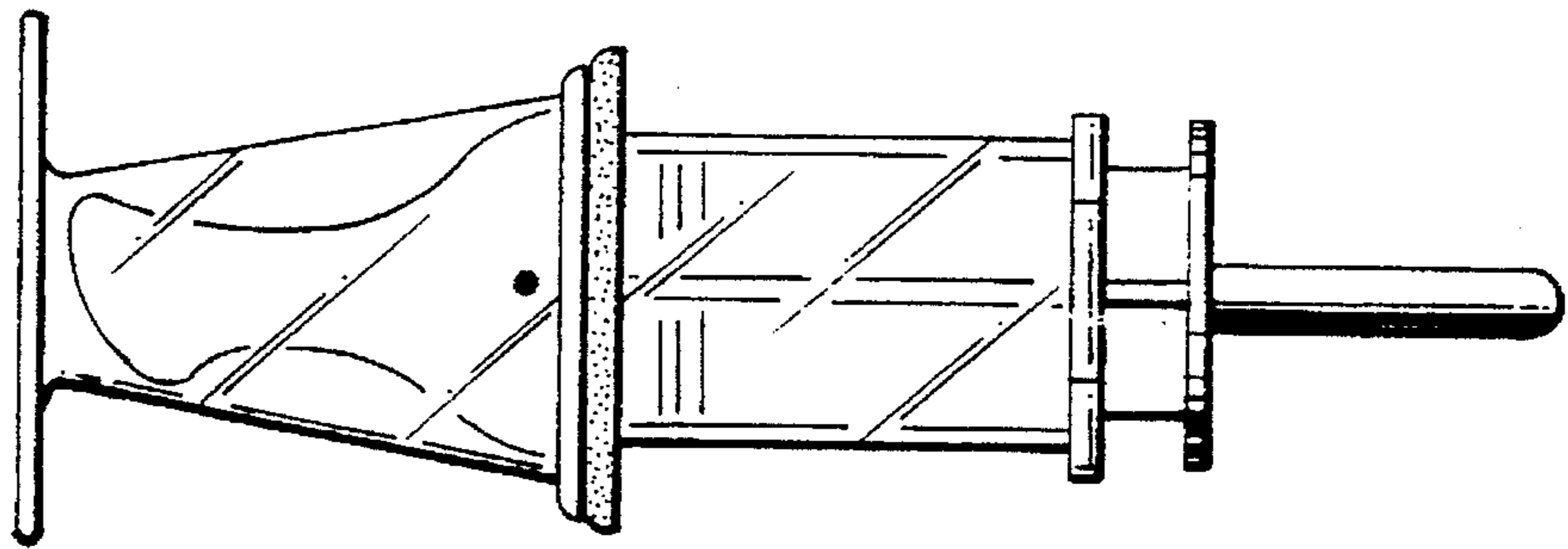


Fig 2

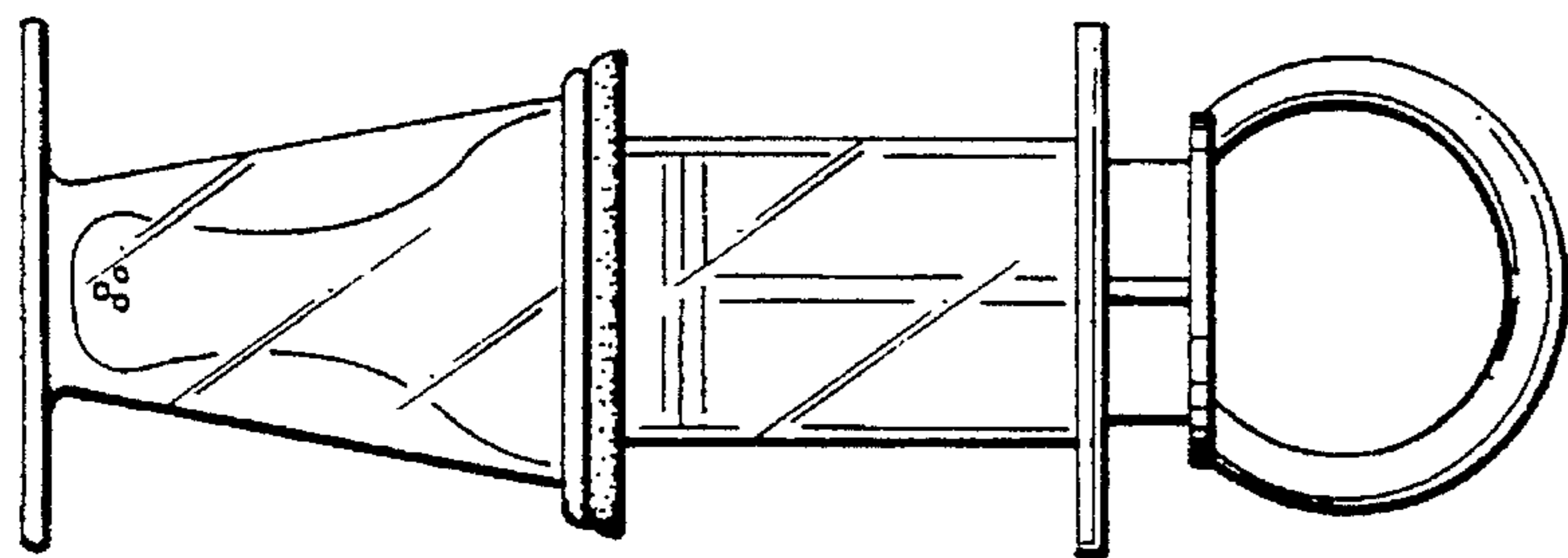


Fig 5

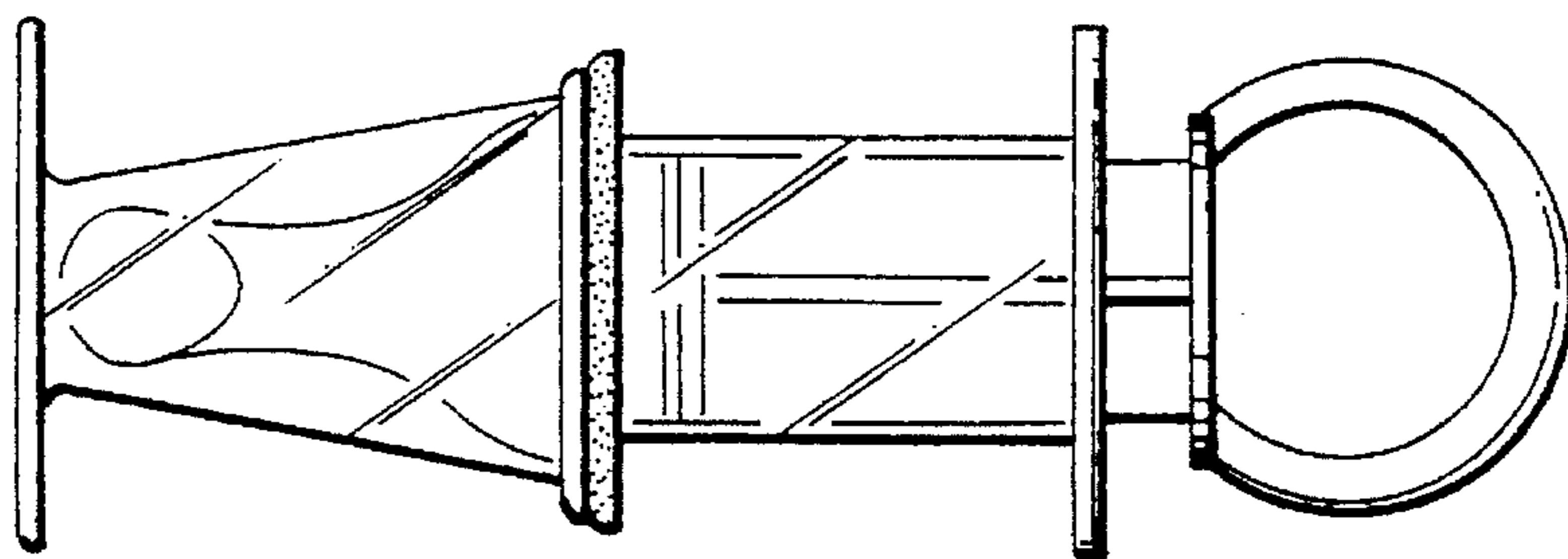


Fig 6

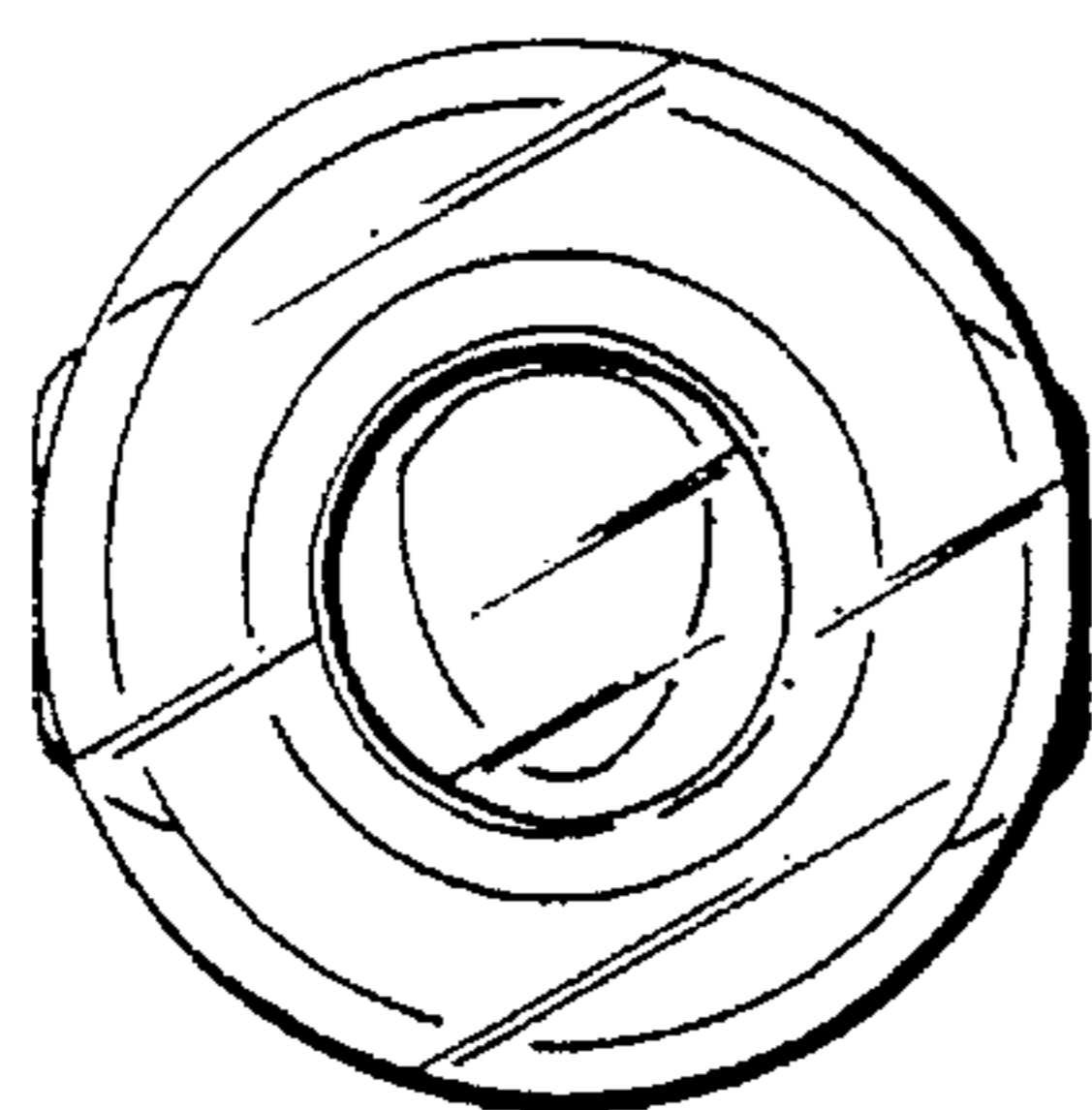


Fig 3

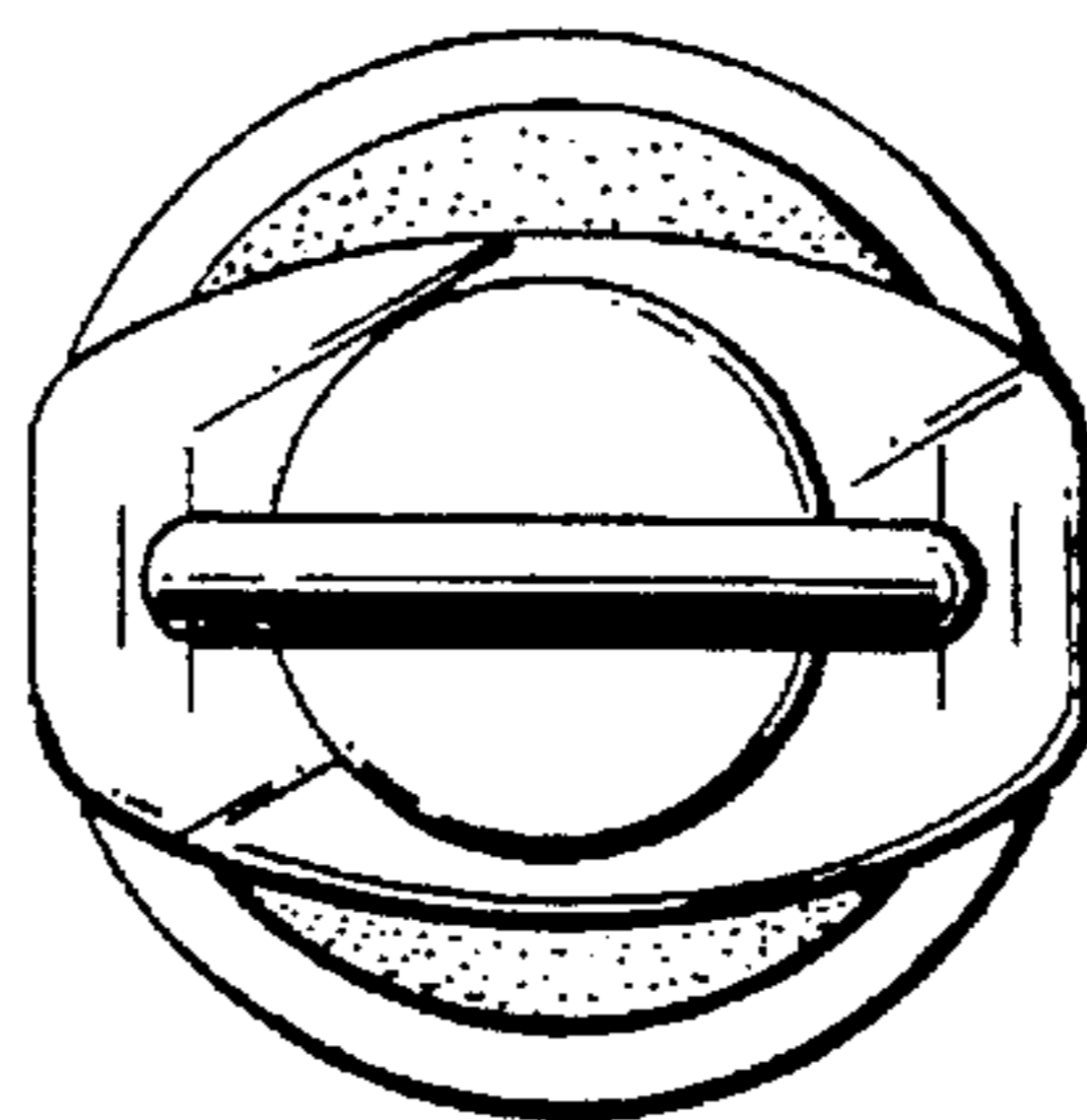


Fig 4