



US00D377829S

United States Patent [19]

Andresen

[11] Patent Number: **Des. 377,829**

[45] Date of Patent: ****Feb. 4, 1997**

[54] **COMPONENT FOR A VENTILATION DUCT SYSTEM**

5,039,134	8/1991	Meadows et al.	285/156 X
5,040,828	8/1991	Kane	285/156 X
5,090,743	2/1992	Obering	285/156

[75] Inventor: **Werner J. Andresen**, Haderslev, Denmark

FOREIGN PATENT DOCUMENTS

27153 1/1985 Sweden .

[73] Assignee: **Lindab A/S**, Haderslev, Denmark

Primary Examiner—Susan J. Lucas

[**] Term: **14 Years**

Assistant Examiner—Cynthia E. Ramirez

[21] Appl. No.: **38,480**

Attorney, Agent, or Firm—Weingarten, Schurgen, Gagnebin & Hayes

[22] Filed: **May 5, 1995**

[57] CLAIM

[30] Foreign Application Priority Data

The ornamental design for a component for a ventilation duct system, as shown and described.

Nov. 9, 1994 [SE] Sweden 942280

DESCRIPTION

[52] U.S. Cl. **D23/393**

[58] Field of Search 523/393; 285/156, 285/150

FIG. 1 is a first end view of a component for a ventilation duct system, showing my new design;

FIG. 2 is a side view of the component;

FIG. 3 is a second end view of the component;

FIG. 4 is a top plan view of the component;

FIG. 5 is a perspective view of the component as seen obliquely from one side; and,

FIG. 6 is a bottom plan view of the component.

[56] References Cited

U.S. PATENT DOCUMENTS

D. 278,652	4/1985	Lindsey	D23/393
3,695,643	10/1972	Schmunk	285/156
3,891,248	6/1975	Kannapell	285/156
5,002,317	3/1991	Burkit	285/156

1 Claim, 2 Drawing Sheets

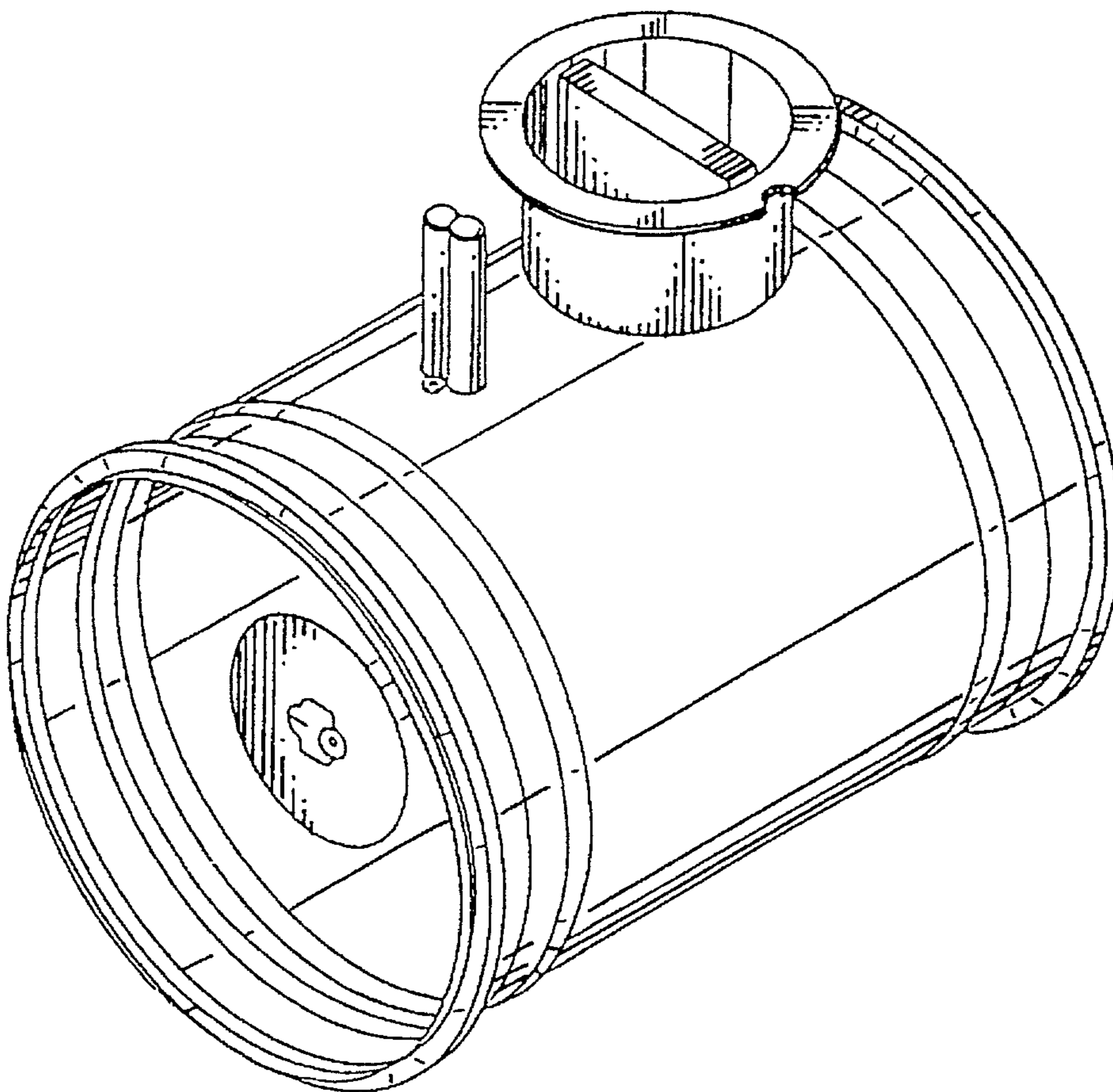


FIG. 1

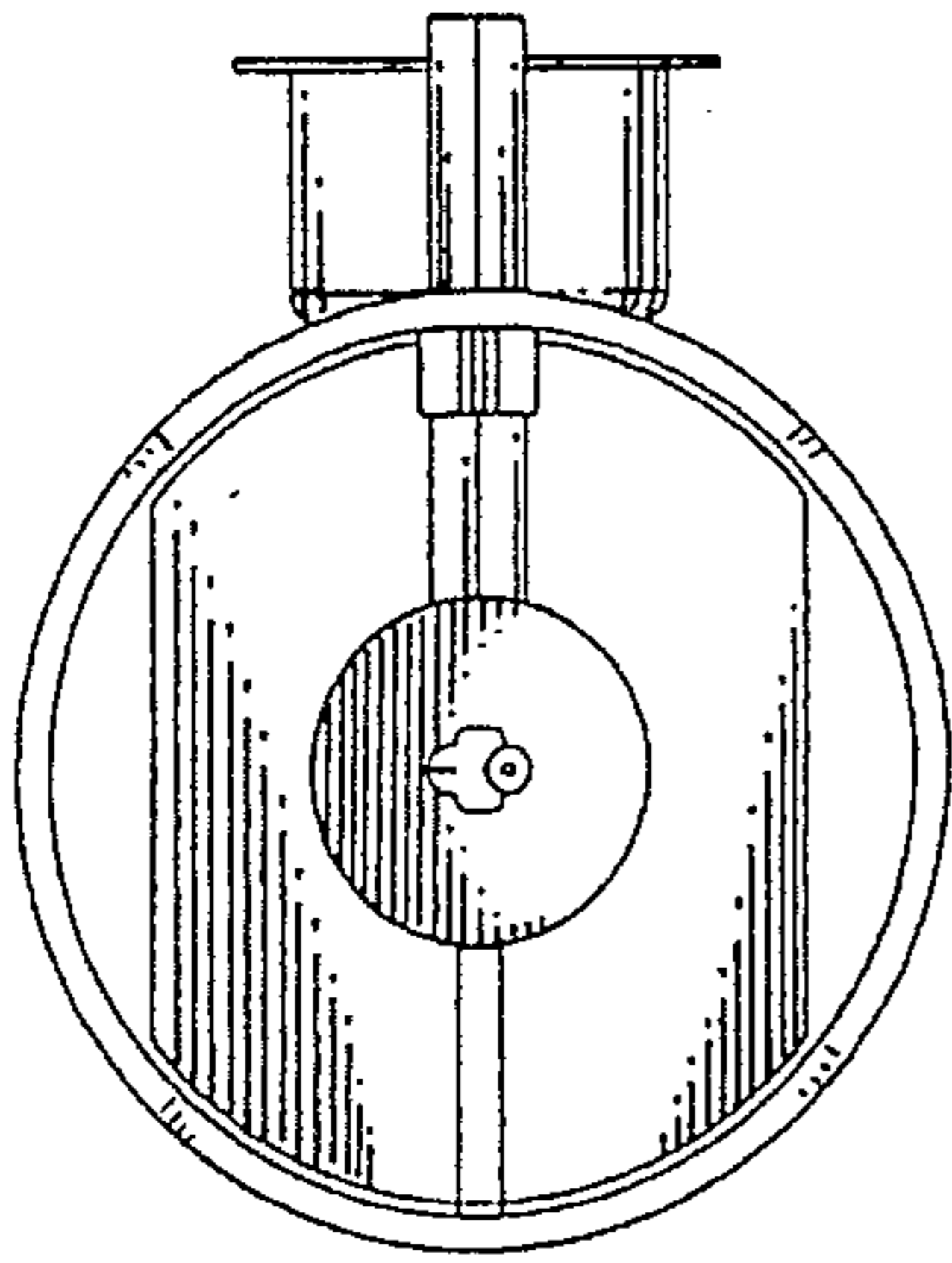


FIG. 2

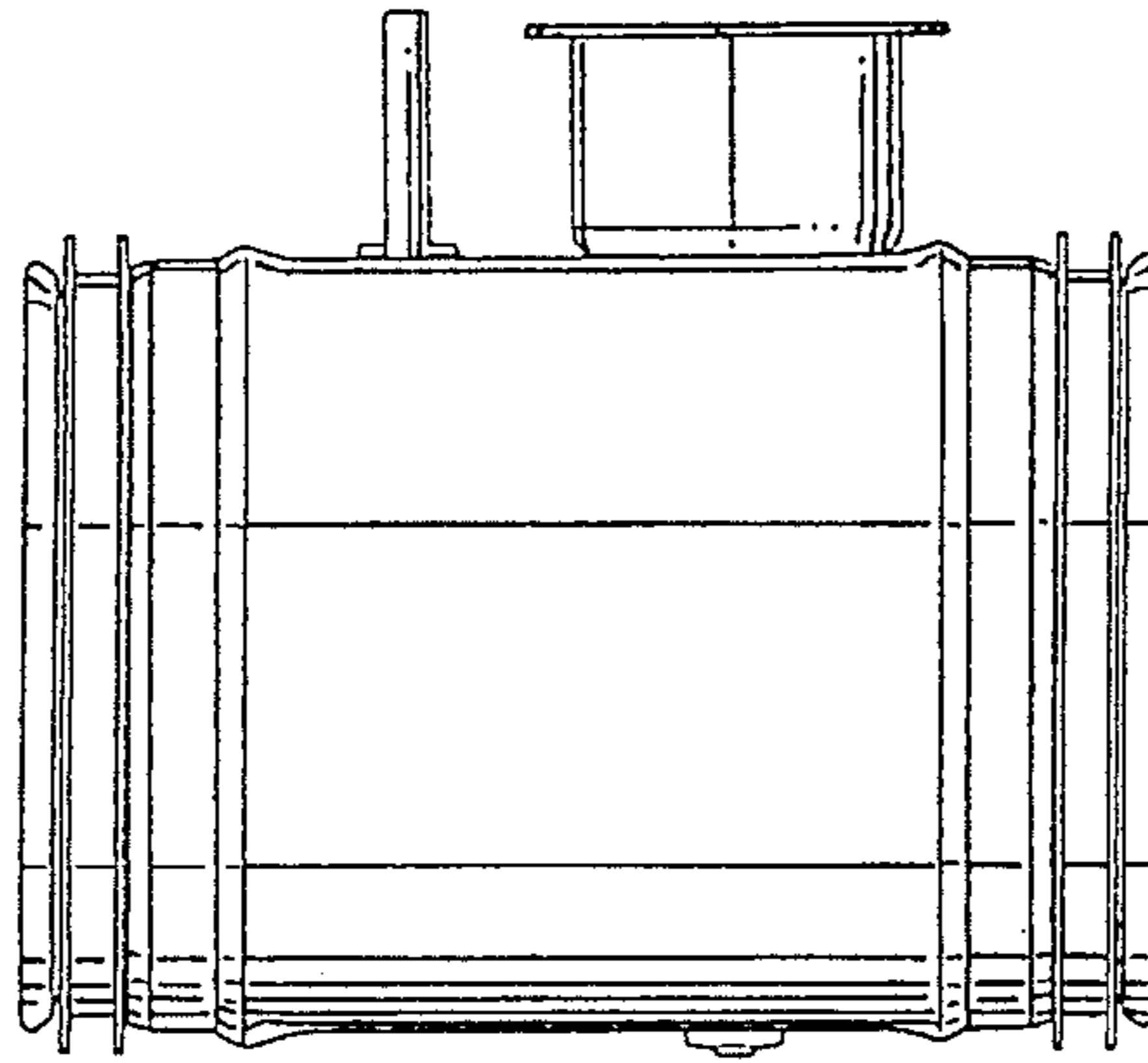


FIG. 3

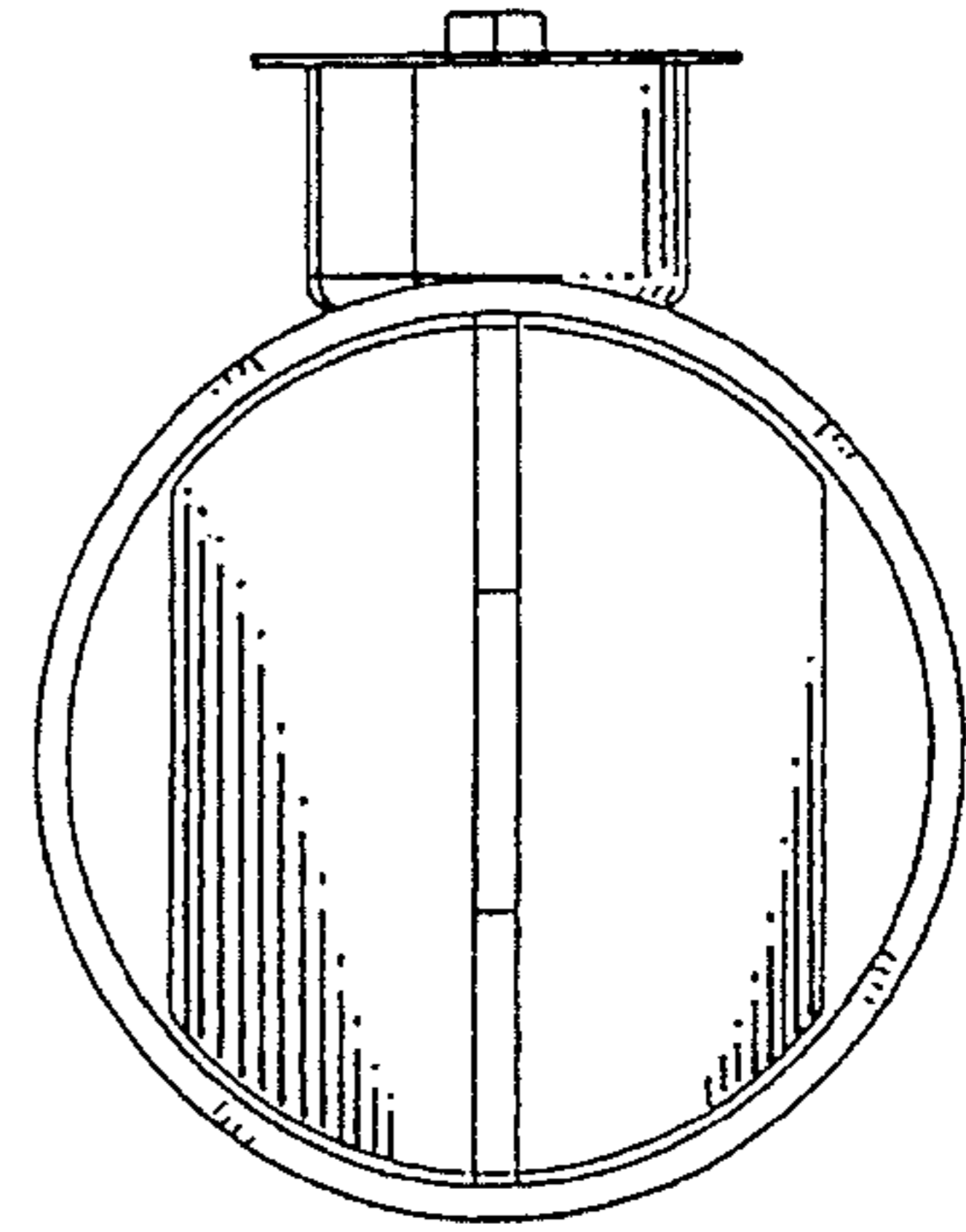


FIG. 4

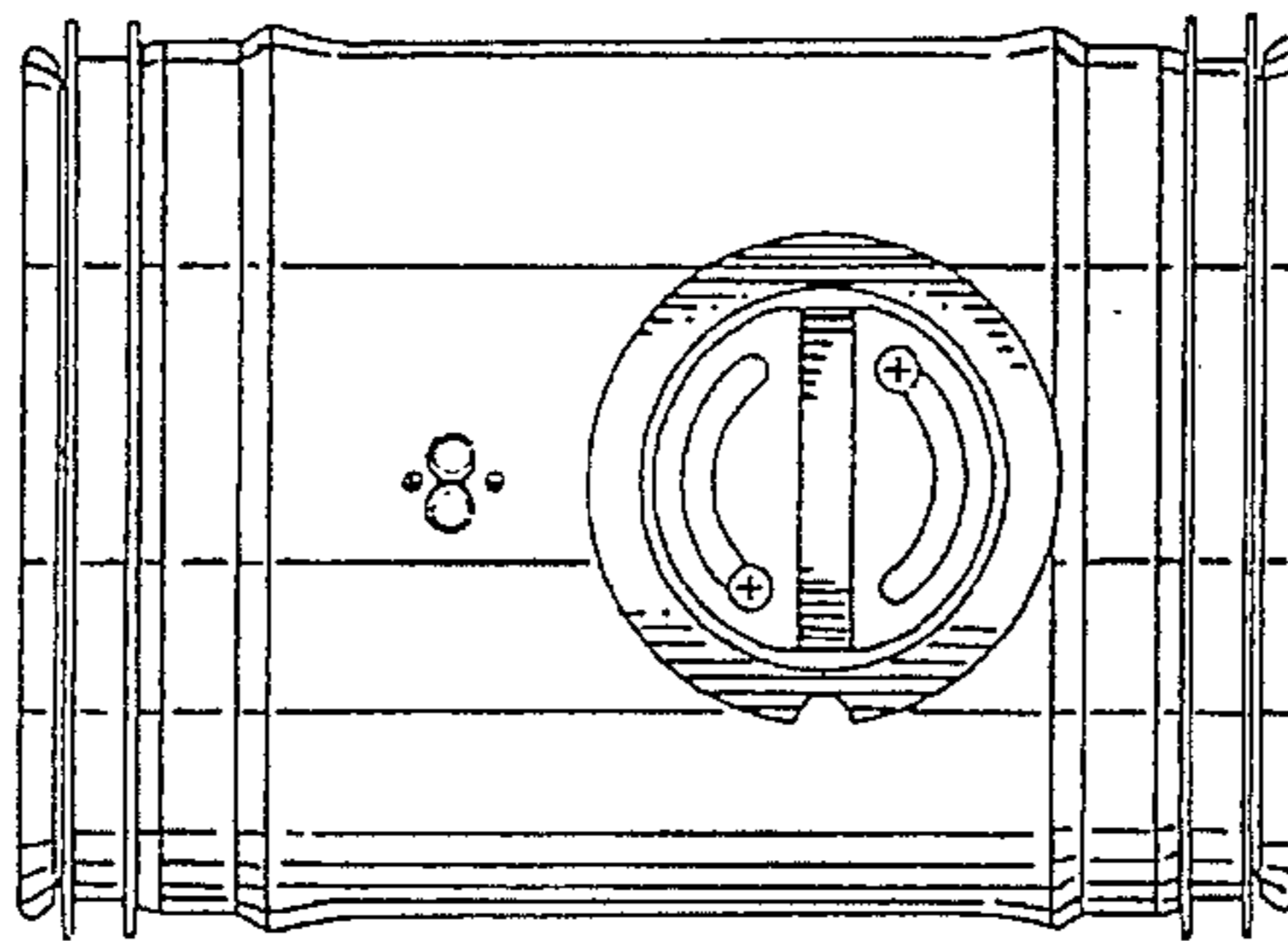


FIG. 5

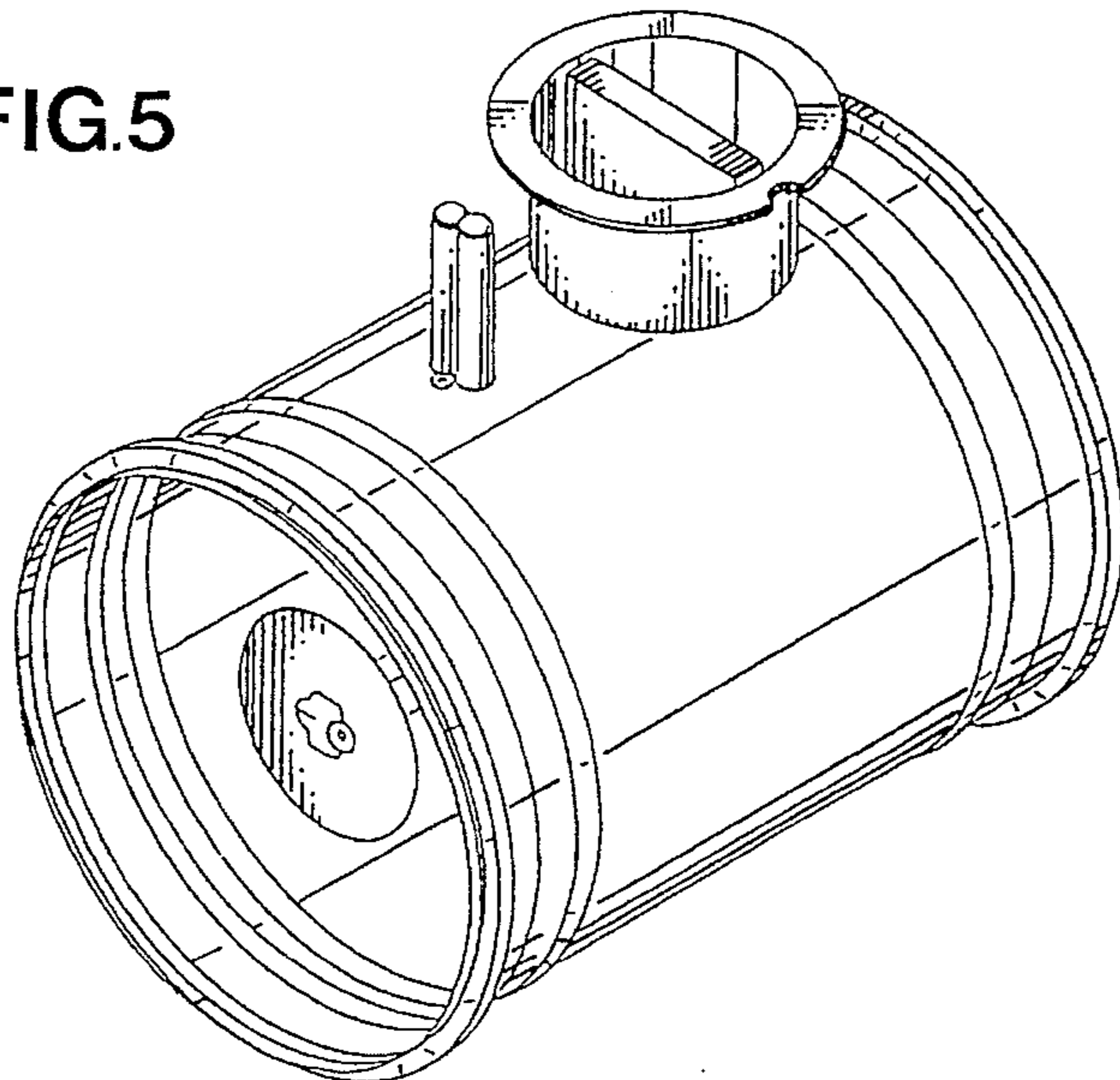


FIG.6

