



US00D377827S

# United States Patent [19]

[11] Patent Number: **Des. 377,827**

**Dhanapal et al.**

[45] Date of Patent: **\*\*Feb. 4, 1997**

[54] TUB HAND HOLD

FOREIGN PATENT DOCUMENTS

[75] Inventors: **Shivaprasad Dhanapal**, Statesville, N.C.; **Robert W. Jones**, Hinsdale, Mass.; **Charles F. T. Merritt**, Southport, Conn.

810914 7/1957 United Kingdom .

OTHER PUBLICATIONS

[73] Assignee: **Rubbermaid Health Care Products Inc.**, Statesville, N.C.

[\*\*] Term: **14 Years**

P. 3, Grab rails; Coopers, Wormley, Godalming, Surrey, GU8 5SY, England. Published at least as early as Oct., 1994.

[21] Appl. No.: **46,409**

P. 21, Grab rail; Peter Endres GmbH, Rhabitationstechnik, Leutkircher Str. 50, 88316 Insy/Allgau. Publication date Apr. 4, 1994.

[22] Filed: **Nov. 14, 1995**

P. 32, Grab bar; Maddak Inc., Pequannock, New Jersey 07440-1933. Publication date 1990.

[52] U.S. Cl. .... **D23/304**

P. 7, Grab bars; Lumex, 100 Spence Street, Bay Shore, New York 11706-2290. Publication date 1993.

[58] Field of Search ..... D23/303-308;  
4/217, 242, 246.1, 253, 661, 576.1, 577.1;  
D8/300, 307, 305, 317

P. 8, Bathtub rails; Carex Health Care Products, A Division of Acorn Development Companies, Inc., 39 Tompkins Point Road, Newark, New Jersey 07114. Publication date 1994/95.

*Primary Examiner*—Louis S. Zarfes

*Assistant Examiner*—Gregory Andoll

*Attorney, Agent, or Firm*—Richard B. O'Planick; Lisa B. Riedesel

## [56] References Cited

### U.S. PATENT DOCUMENTS

D. 188,175	6/1960	Craig .....	D23/304
D. 189,906	3/1961	Best .....	D23/304
D. 209,040	10/1967	Aleks et al. ....	D23/304
D. 286,068	10/1986	Landsberger .....	D23/303
D. 316,139	4/1991	DiVito et al. ....	D23/303
2,045,815	6/1936	Weisjahn .....	4/577.1
2,513,619	7/1950	Bennett .....	4/185
2,642,581	6/1953	Loe .....	4/577.1
2,756,439	7/1956	Bollen .....	4/577.1
2,931,051	4/1960	Sparling .....	4/185
2,940,085	6/1960	Hussey .....	4/185
3,414,909	12/1968	Provi et al. ....	4/185
3,414,910	12/1968	Provi et al. ....	4/185
3,448,468	6/1969	Murcott .....	4/185
3,968,524	7/1976	Zentman .....	4/185
4,417,361	11/1983	Smith .....	4/577
4,475,256	10/1984	Hatala .....	4/562
4,520,515	6/1985	Hatala .....	4/579
4,887,323	12/1989	DiVito .....	4/577

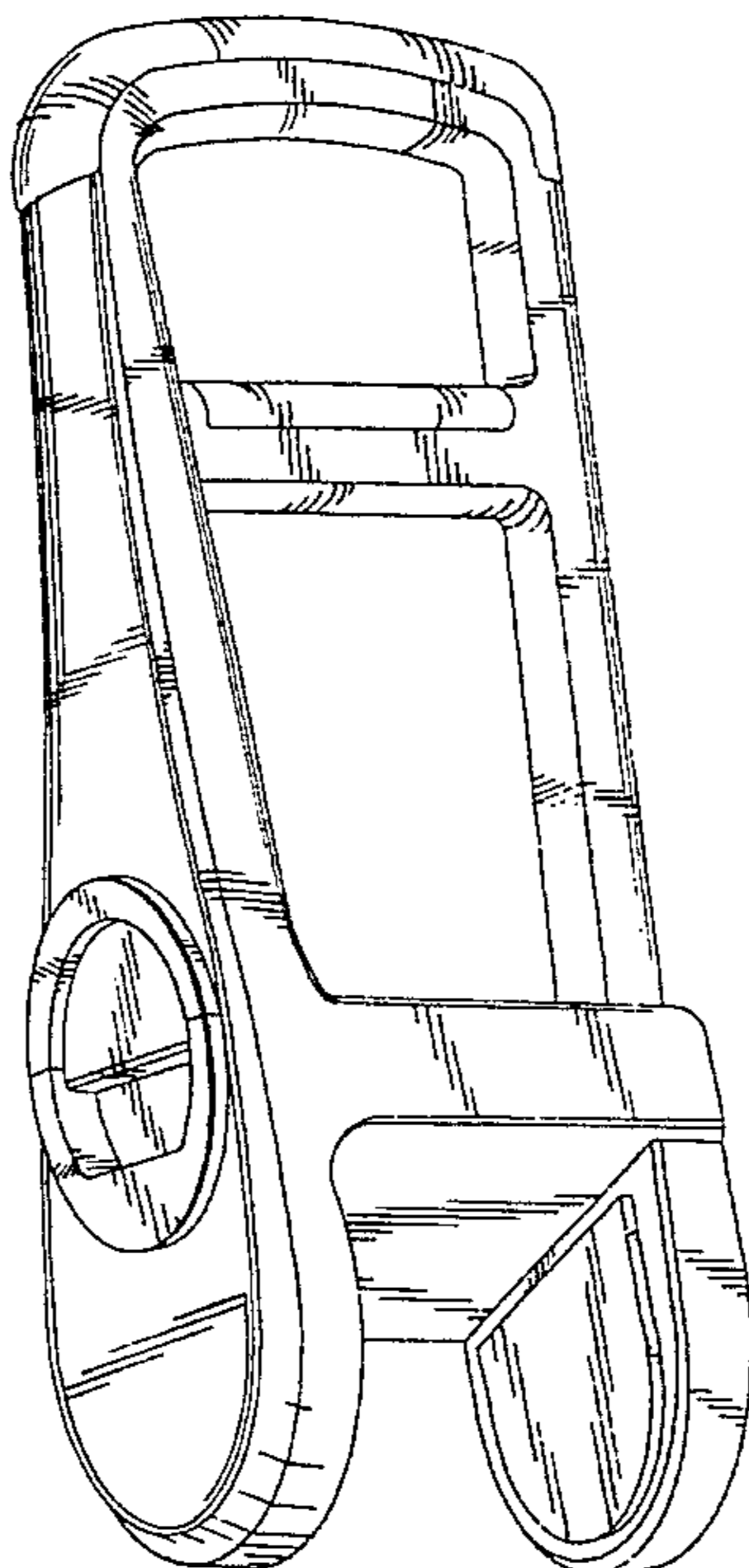
## [57] CLAIM

The ornamental design for a tub hand hold, as shown and described.

## DESCRIPTION

FIG. 1 is a top left front perspective view of a tub hand hold showing our new design;  
FIG. 2 is a left side elevational thereof;  
FIG. 3 is a top plan view thereof;  
FIG. 4 is a right side elevational view thereof;  
FIG. 5 is a rear elevational view thereof;  
FIG. 6 is a front elevational view thereof; and,  
FIG. 7 is a bottom plan view thereof.

**1 Claim, 4 Drawing Sheets**



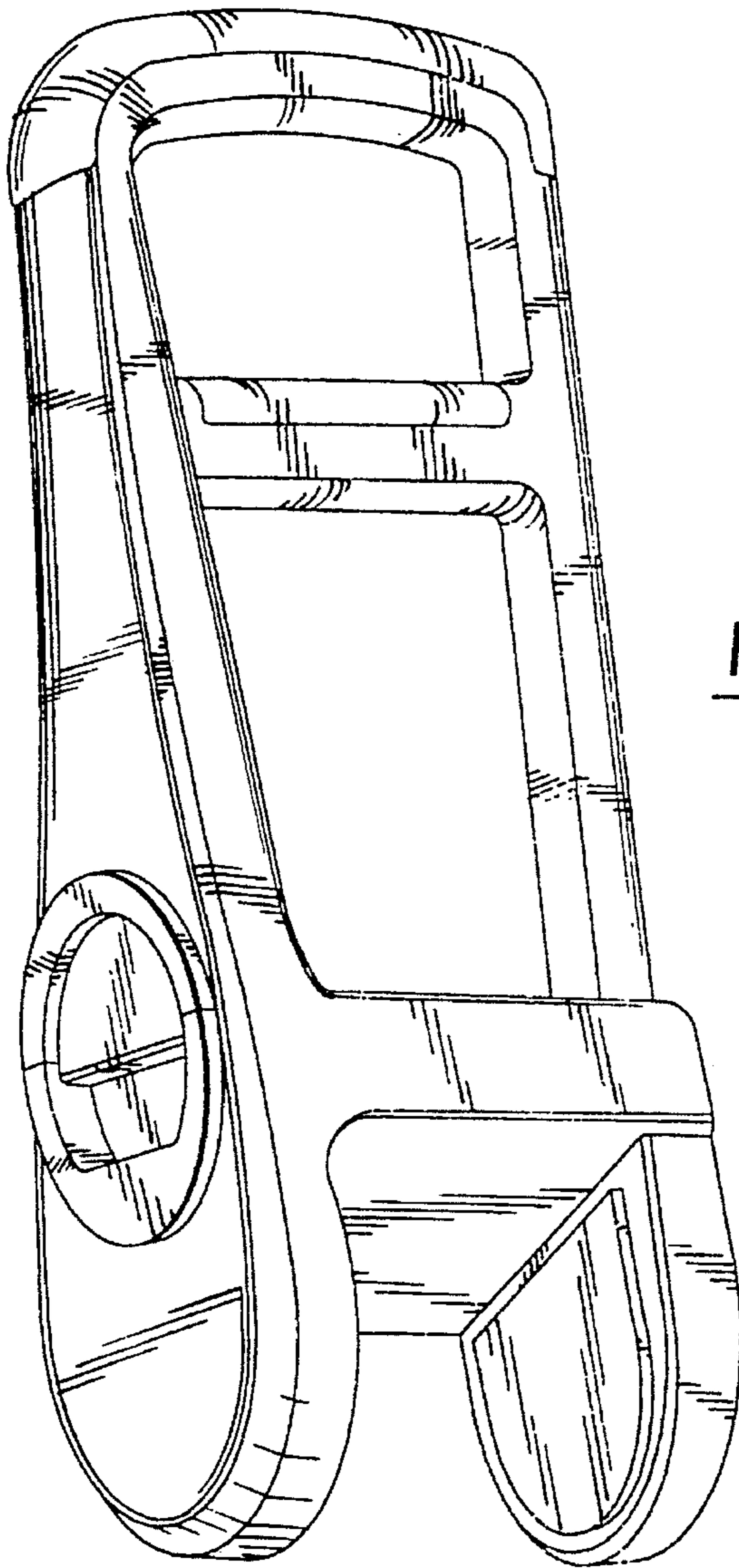


Fig-1

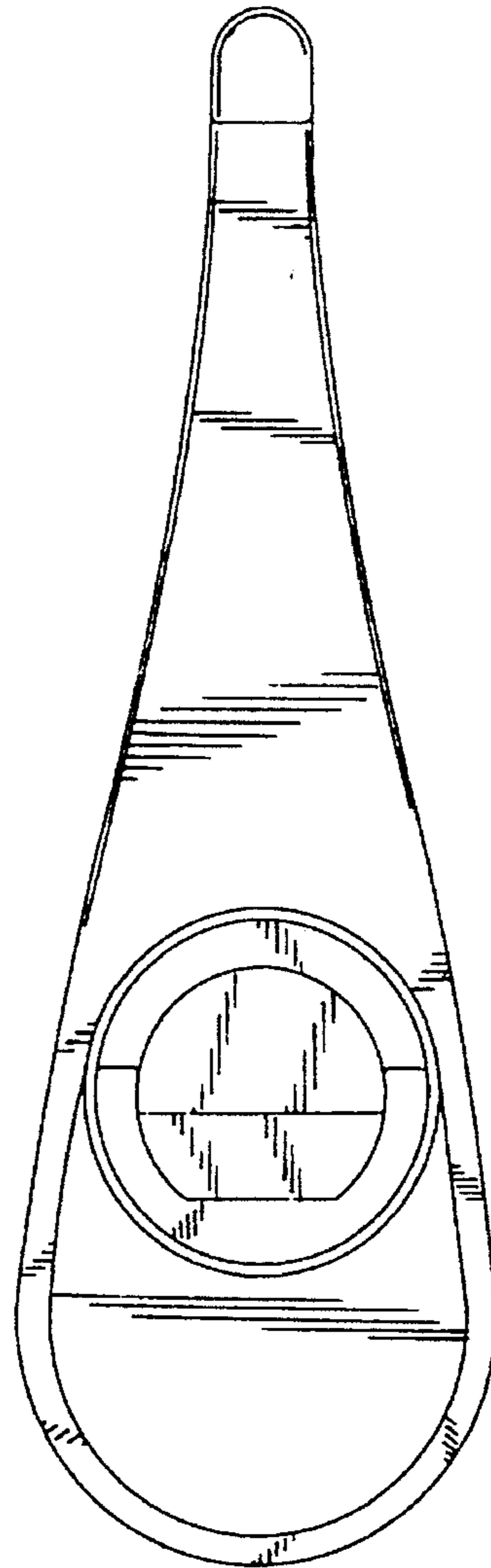


Fig-2

Fig-3

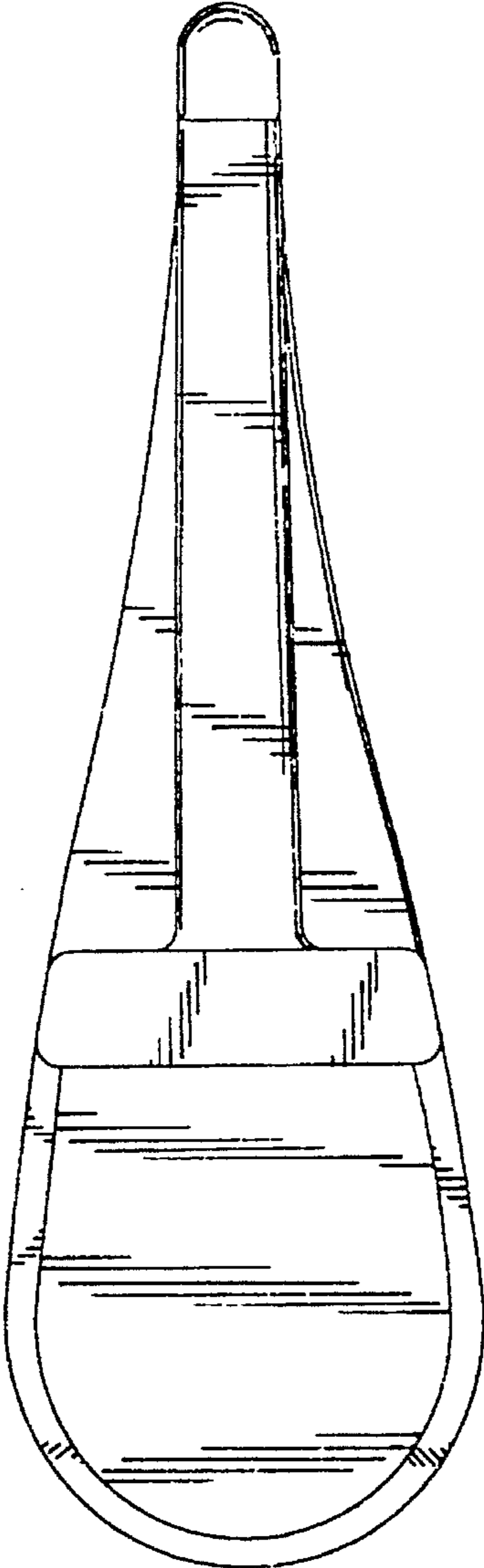
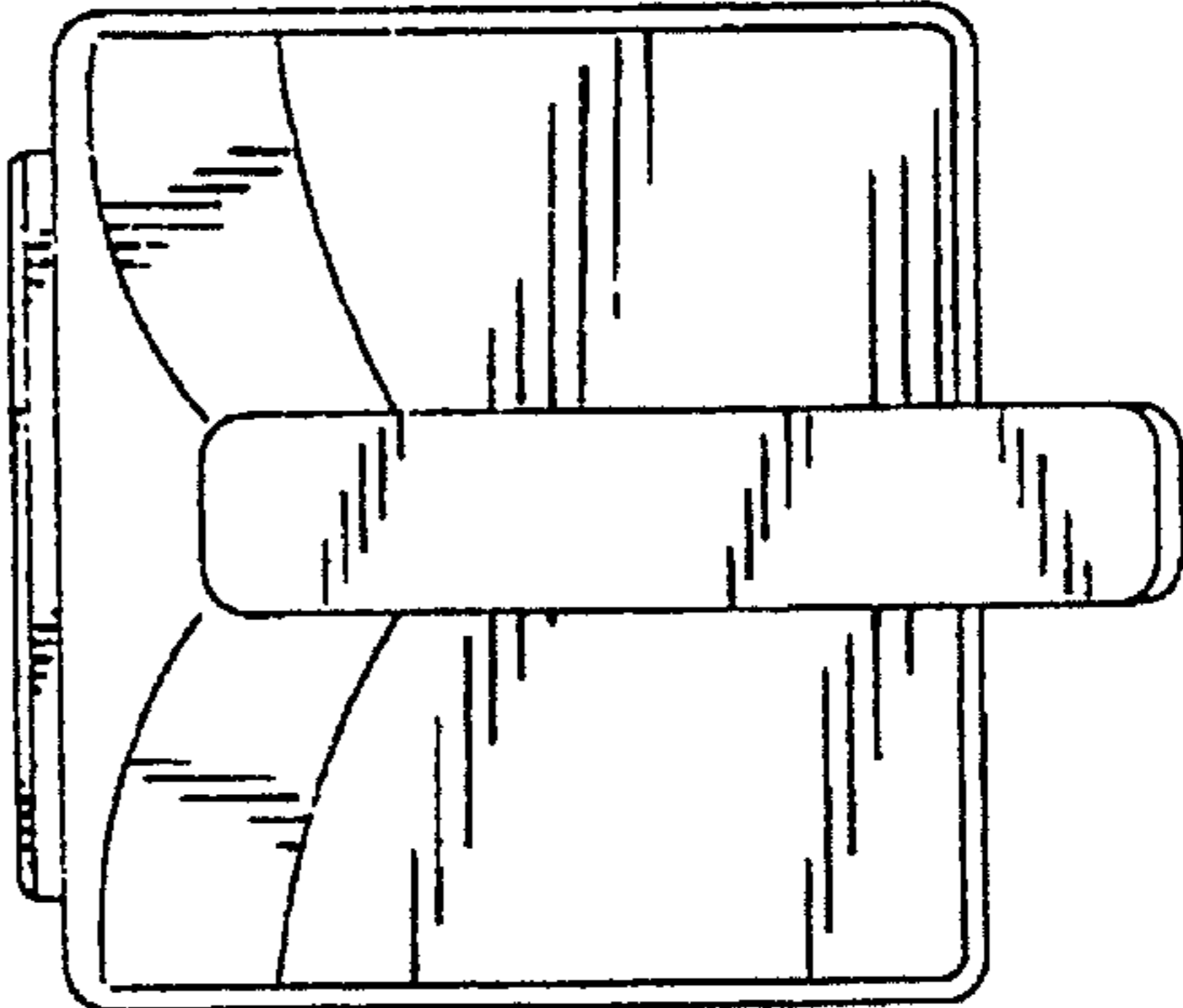


Fig-4

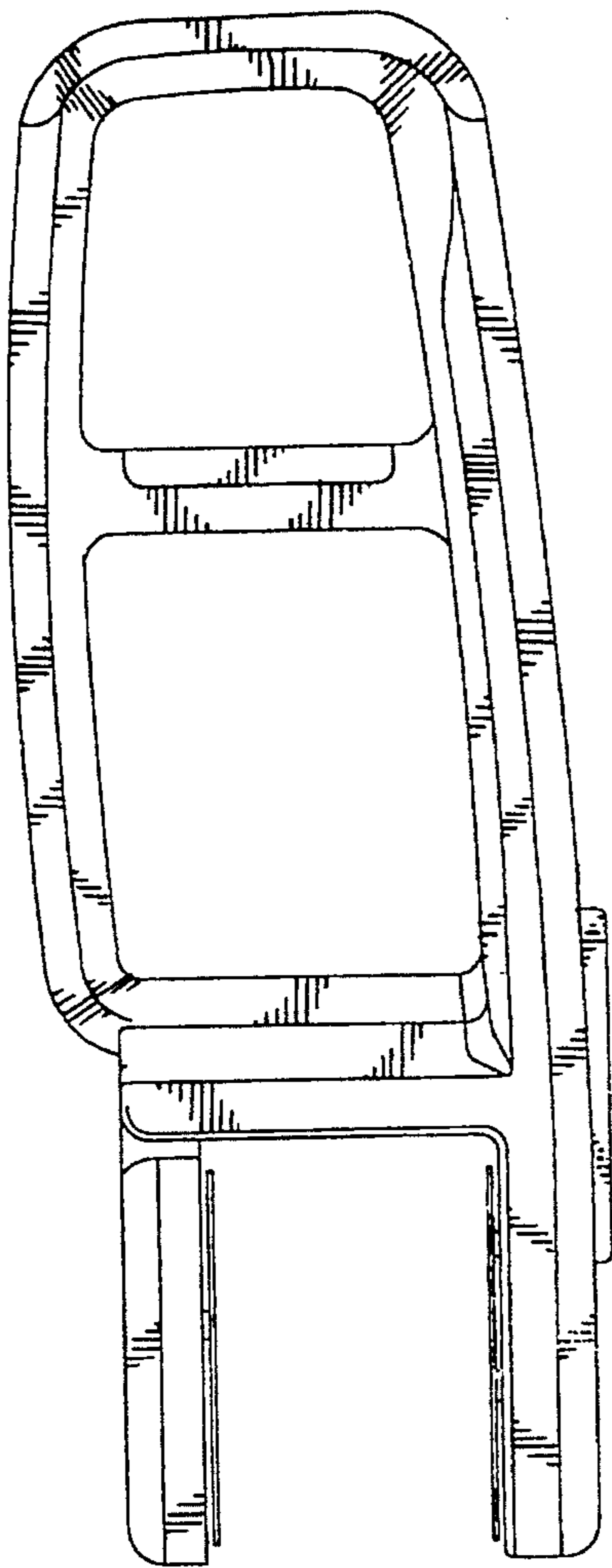


Fig-5

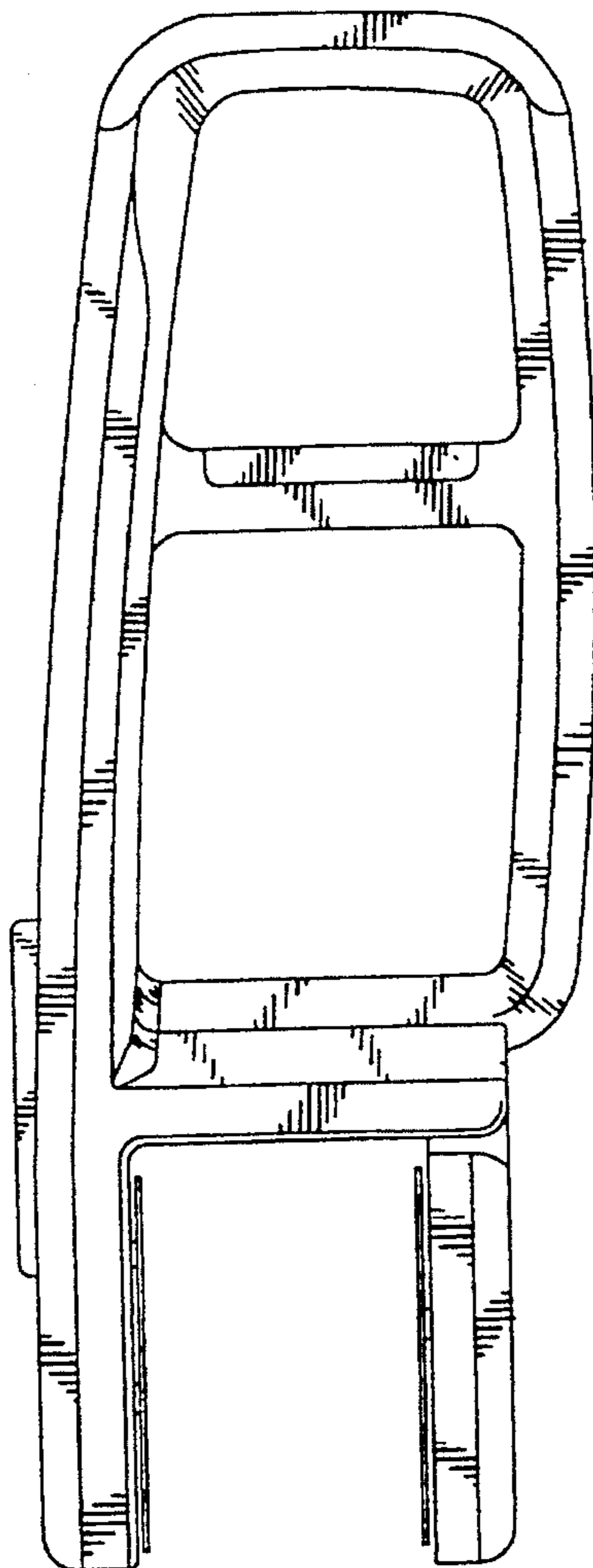


Fig-6

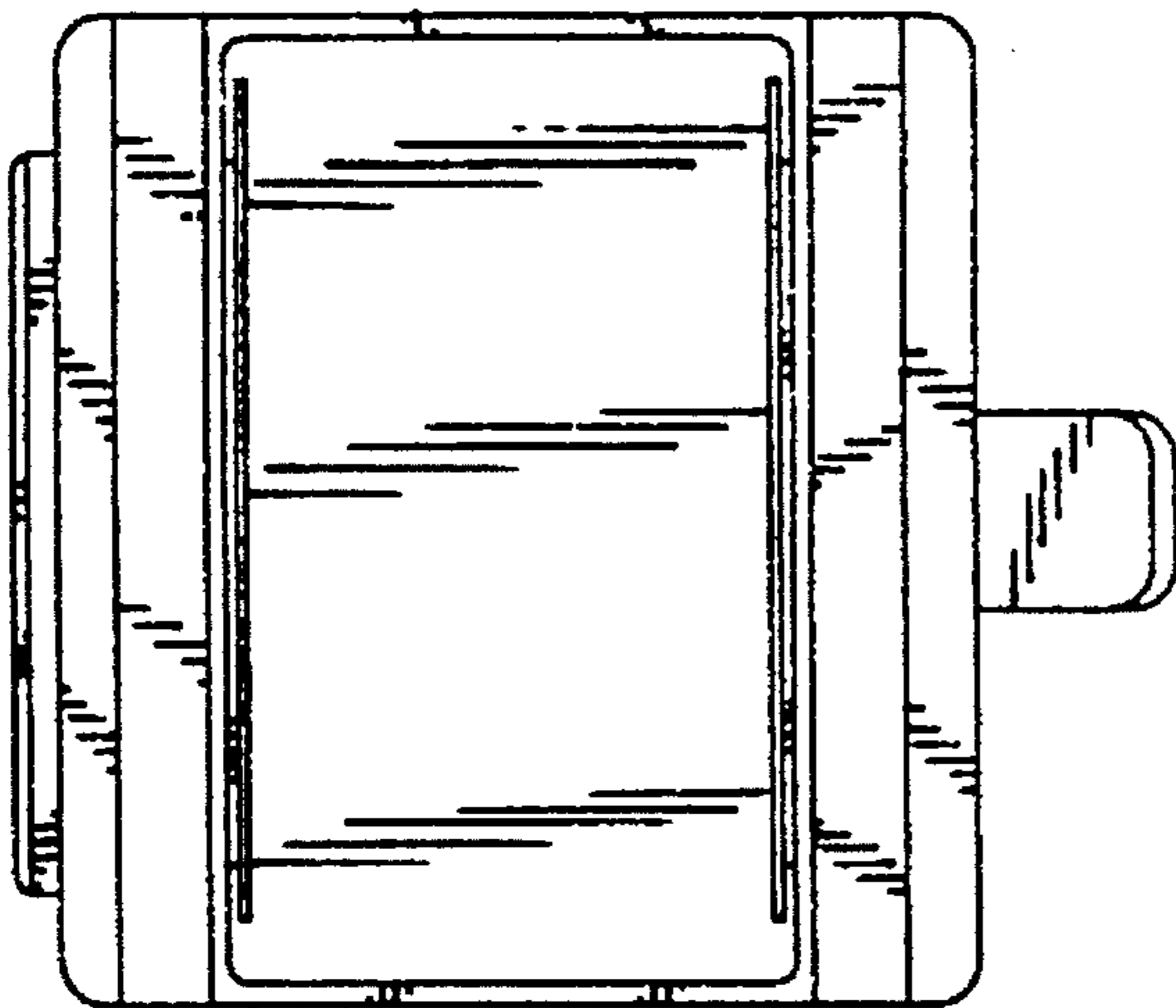


Fig-7