



US00D377825S

United States Patent [19]

[11] **Patent Number:** **Des. 377,825**

Booth et al.

[45] **Date of Patent:** ****Feb. 4, 1997**

[54] **BAG FILTER VESSEL**

D. 361,823 8/1995 Layton et al. D23/200

[75] Inventors: **Walter Booth**, East Hanover; **Alan R. Levin**, Somerville, both of N.J.

3,931,015 1/1976 Jenkins .

4,253,959 3/1981 Tafara .

4,356,791 11/1982 Ward et al. 210/448

4,637,879 1/1987 Hartley 210/452

4,683,057 7/1987 Krause et al. 210/452

[73] Assignee: **H-Tech, Inc.**, Wilmington, Del.

[**] Term: **14 Years**

Primary Examiner—A. Hugo Word

Assistant Examiner—Robin V. Taylor

Attorney, Agent, or Firm—Selitto & Associates

[21] Appl. No.: **45,749**

[57] CLAIM

[22] Filed: **Oct. 27, 1995**

The ornamental design for a bag filter vessel, as shown and described.

[52] **U.S. Cl.** **D23/209**

[58] **Field of Search** D23/200, 207–210;
210/435, 497.1, 451, 452, 448, 459, 460,
461

DESCRIPTION

[56] References Cited

FIG. 1 is a perspective view of a bag filter vessel showing our new design;

FIG. 2 is a front elevational view thereof;

FIG. 3 is a rear elevational view thereof;

FIG. 4 is a right side elevational view, the left side being a mirror image of FIG. 4;

FIG. 5 is a top plan view thereof; and,

FIG. 6 is a bottom plan view thereof.

U.S. PATENT DOCUMENTS

- D. 136,961 1/1944 Siemens .
- D. 188,688 8/1960 Sicard .
- D. 220,263 3/1971 Hughes .
- D. 221,850 9/1971 Anderson .
- D. 317,040 5/1991 Petrucci et al. .
- D. 320,640 10/1991 Goodwin .
- D. 321,394 11/1991 Petrucci et al. .

1 Claim, 5 Drawing Sheets

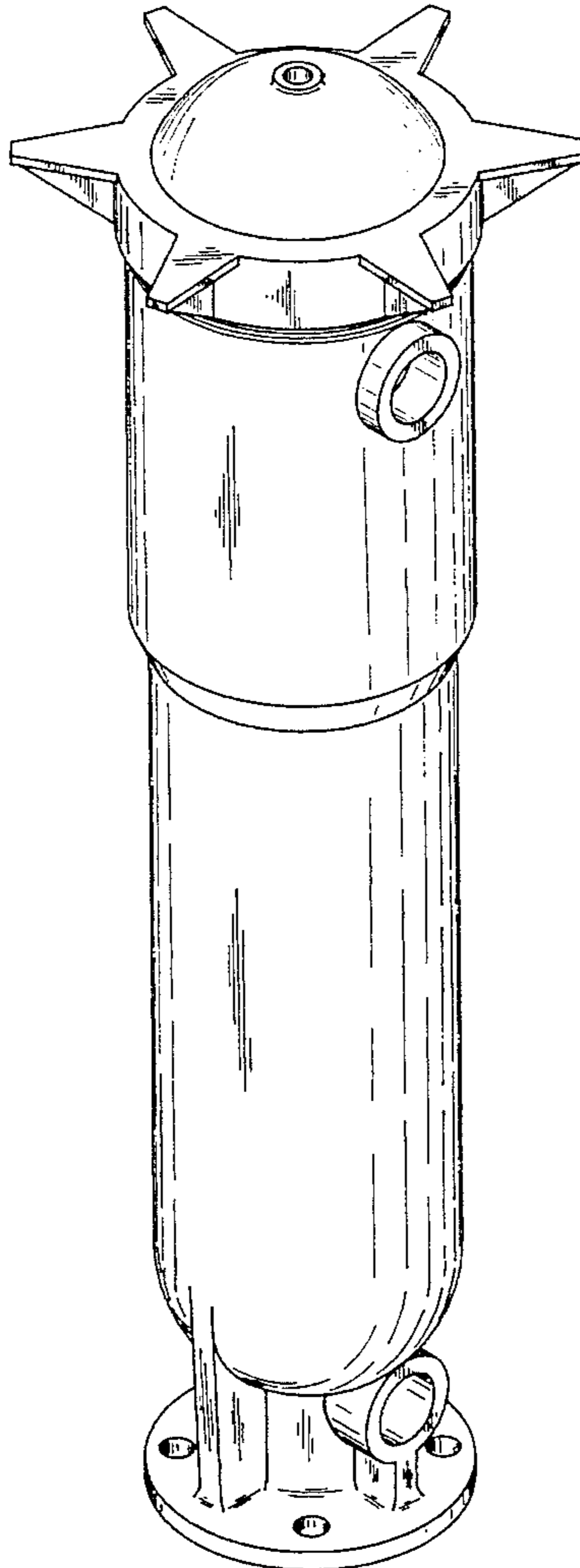


FIG. 1

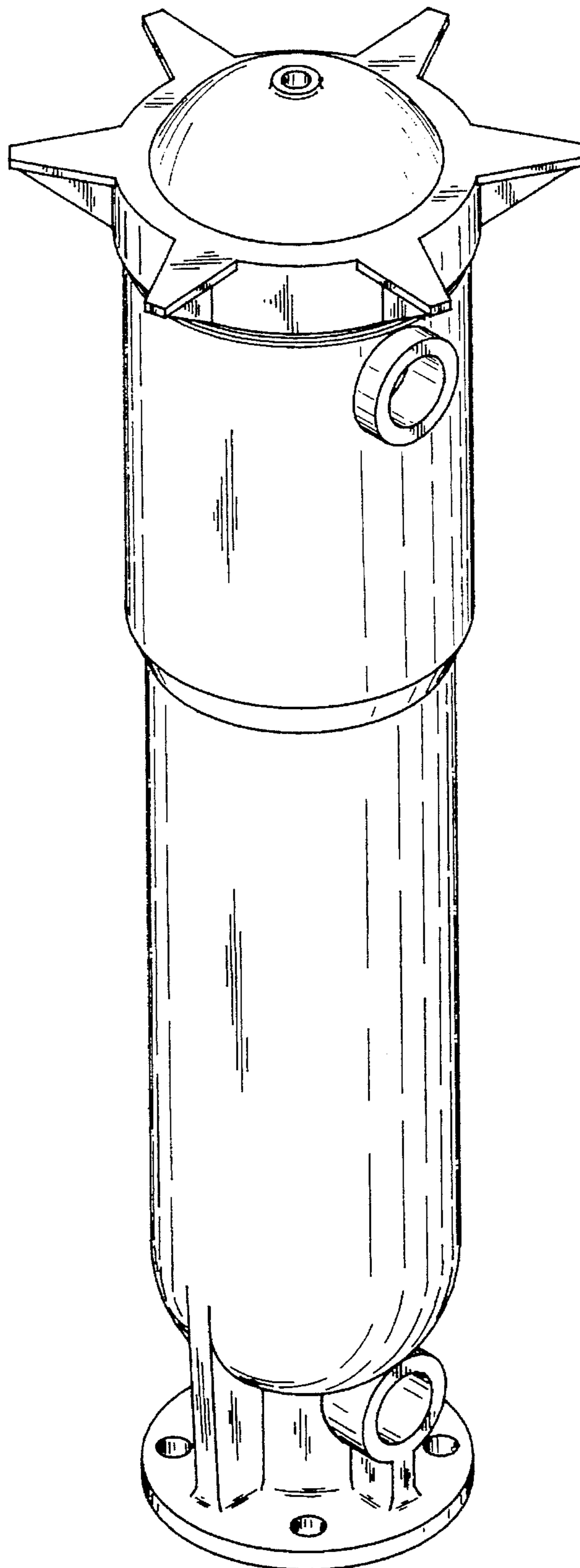


FIG. 2

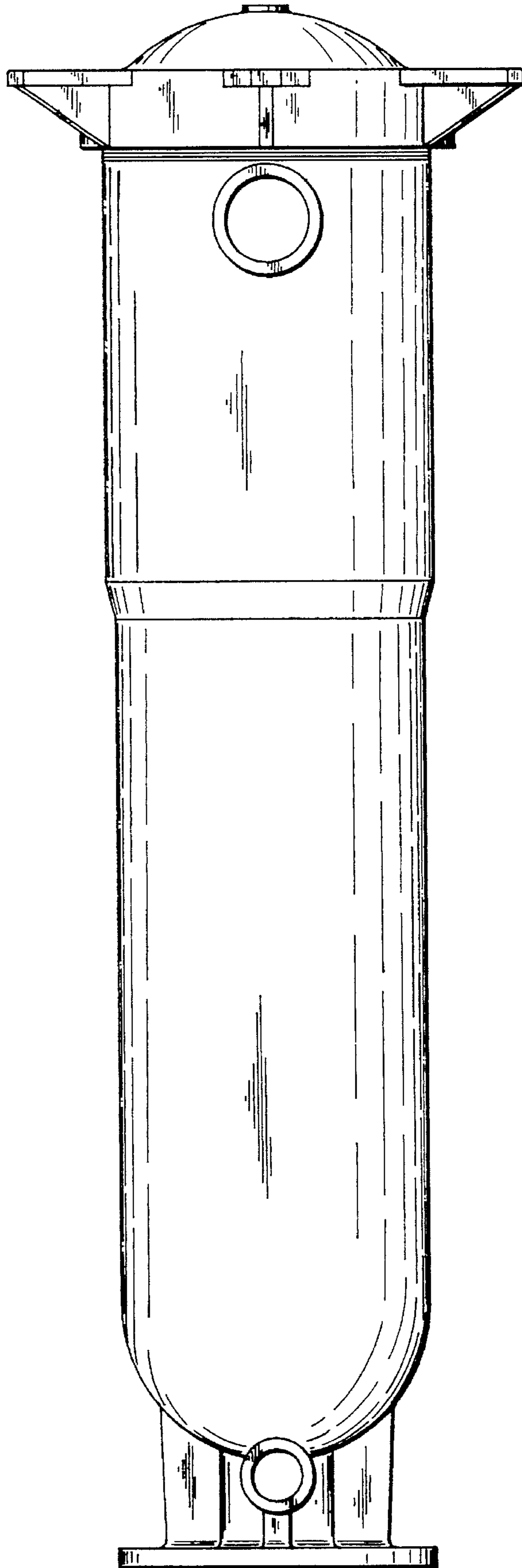


FIG. 3

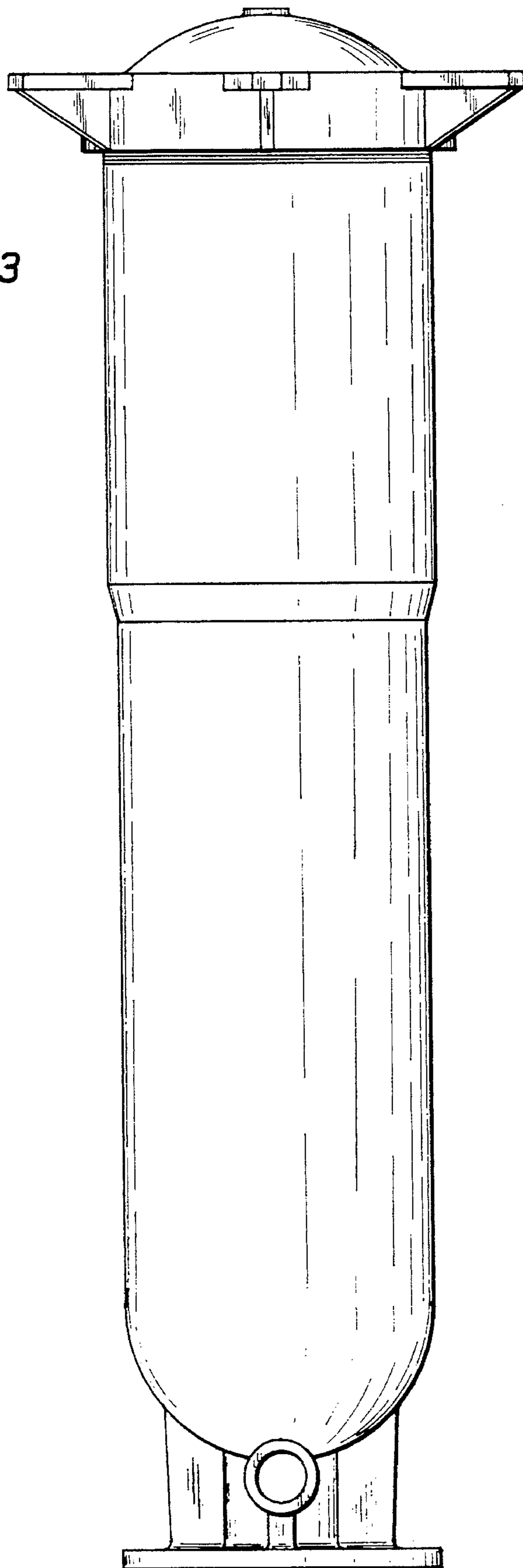


FIG. 4

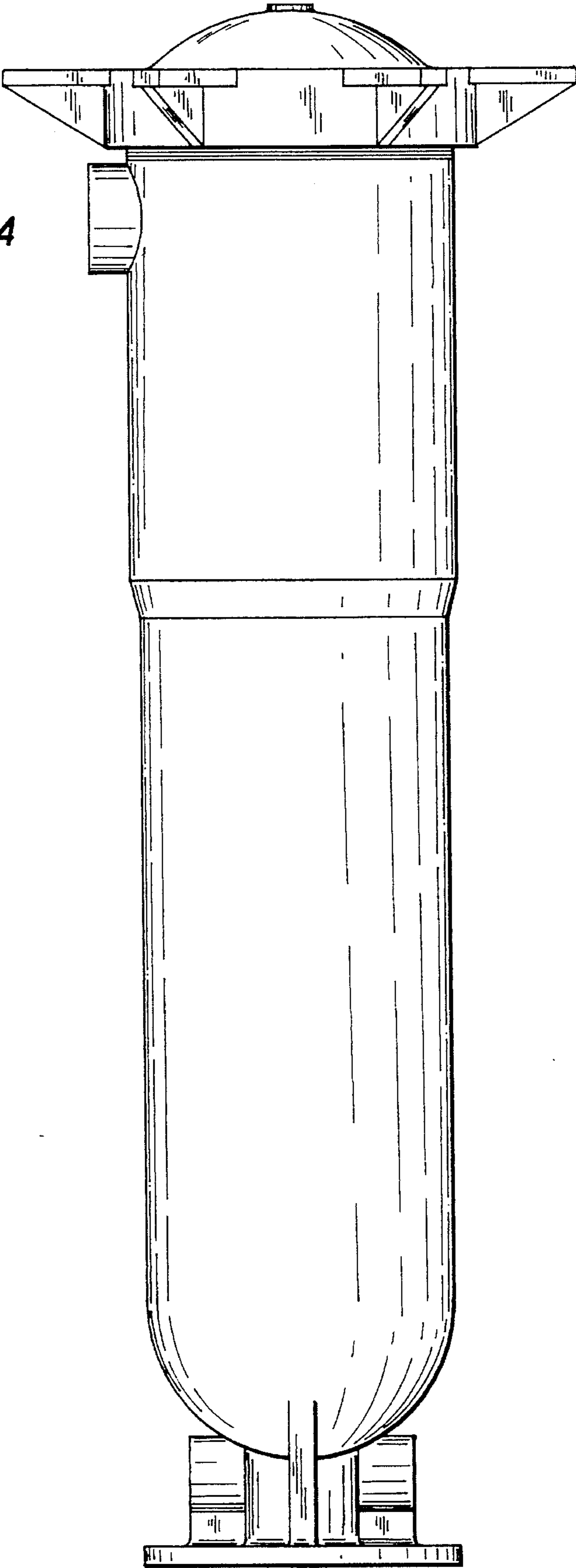


FIG. 5

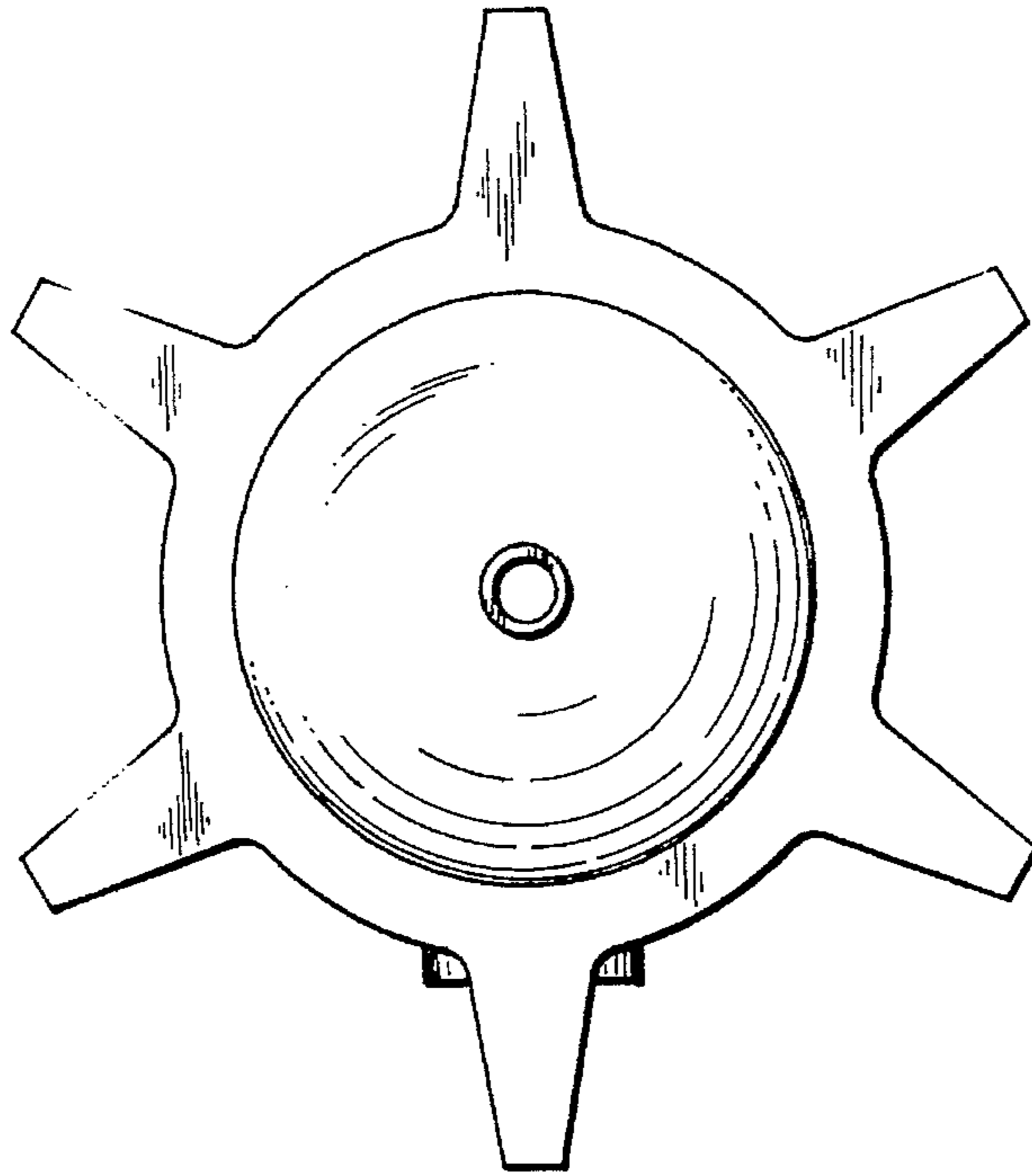


FIG. 6

