



US00D377823S

# United States Patent [19]

## Rainwater

[11] **Patent Number:** **Des. 377,823**

[45] **Date of Patent:** **\*\*Feb. 4, 1997**

[54] **PORTABLE SHOOTING STAND**

[76] **Inventor:** **Odis E. Rainwater**, 821 Nick Springs Rd., Eldorado, Ark. 71730

[\*\*] **Term:** **14 Years**

[21] **Appl. No.:** **42,548**

[22] **Filed:** **Aug. 11, 1995**

[52] **U.S. Cl.** ..... **D22/108; D22/199**

[58] **Field of Search** ..... **D22/100, 108, D22/199; 42/90, 94; D6/335, 336, 368, 429, 552; 124/23.1; 248/121, 125.8, 163.1, 168, 217.1, 309.1; 297/217.1**

[56] **References Cited**

**U.S. PATENT DOCUMENTS**

D. 190,906	7/1961	Blumenshine	.....	D6/368	X
3,225,656	12/1965	Flaherty et al.	.....	42/94	X
3,313,505	4/1967	Petrie	.....	42/94	X
4,535,559	8/1985	Hall	.....	42/94	
5,060,410	10/1991	Mueller	.....	42/94	
5,149,900	9/1992	Buck	.....	42/94	

5,271,175	12/1993	West, III	.....	42/94
5,287,643	2/1994	Arizpe-Gilmore	.....	42/94
5,375,905	12/1994	Flitter et al.	.....	297/217.1 X
5,414,949	5/1995	Peebles	.....	42/94

*Primary Examiner*—Louis S. Zarfaz  
*Assistant Examiner*—Monica A. Hannon  
*Attorney, Agent, or Firm*—James A. Hudak

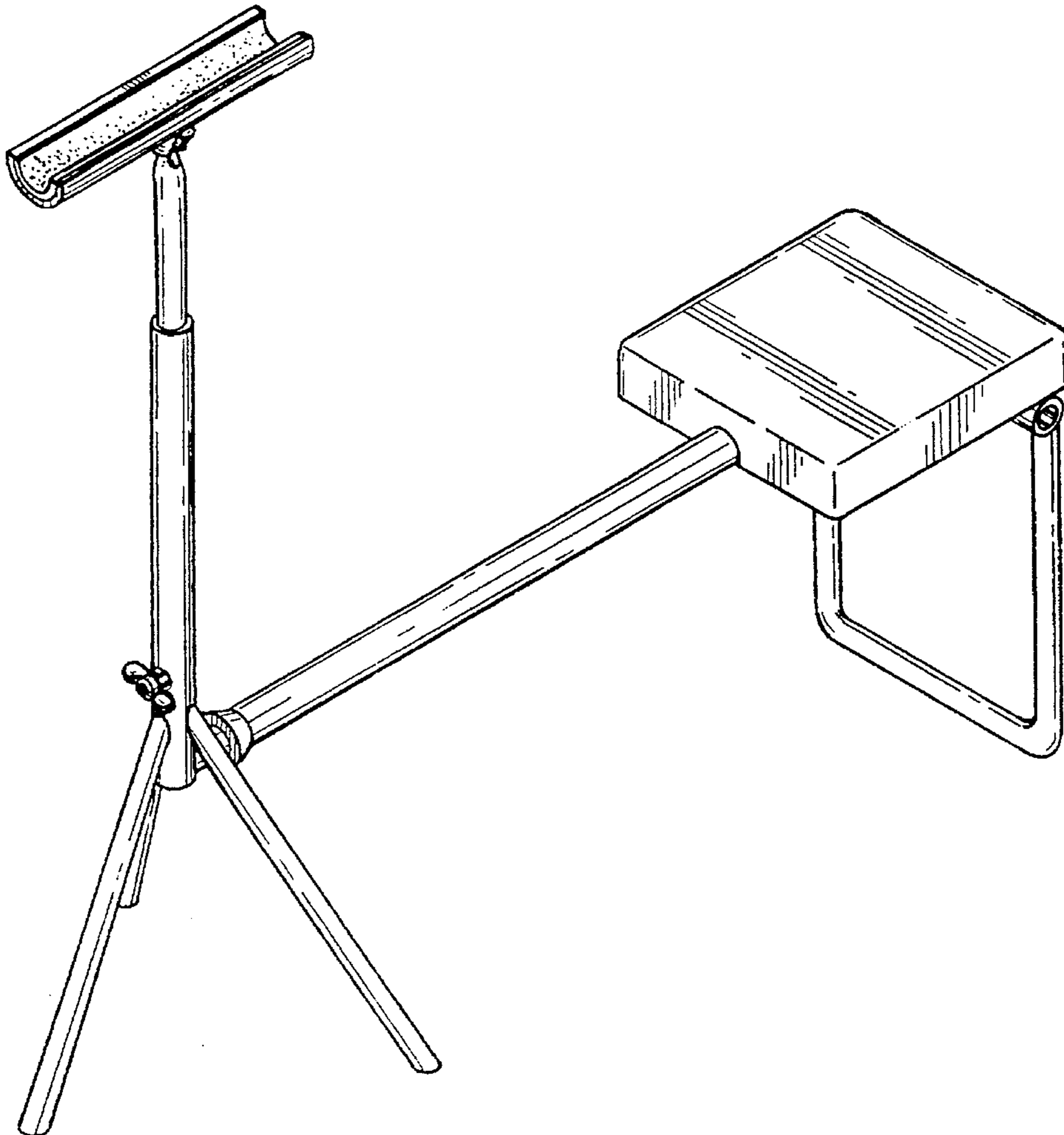
[57] **CLAIM**

The ornamental design for a portable shooting stand, as shown and described.

**DESCRIPTION**

FIG. 1 is a perspective view of the portable shooting stand showing my new design;  
FIG. 2 is a front elevational view thereof;  
FIG. 3 is a rear elevational view thereof;  
FIG. 4 is a right side elevational view thereof;  
FIG. 5 is a left side elevational view thereof;  
FIG. 6 is a top plan view thereof; and,  
FIG. 7 is a bottom plan view thereof.

**1 Claim, 4 Drawing Sheets**



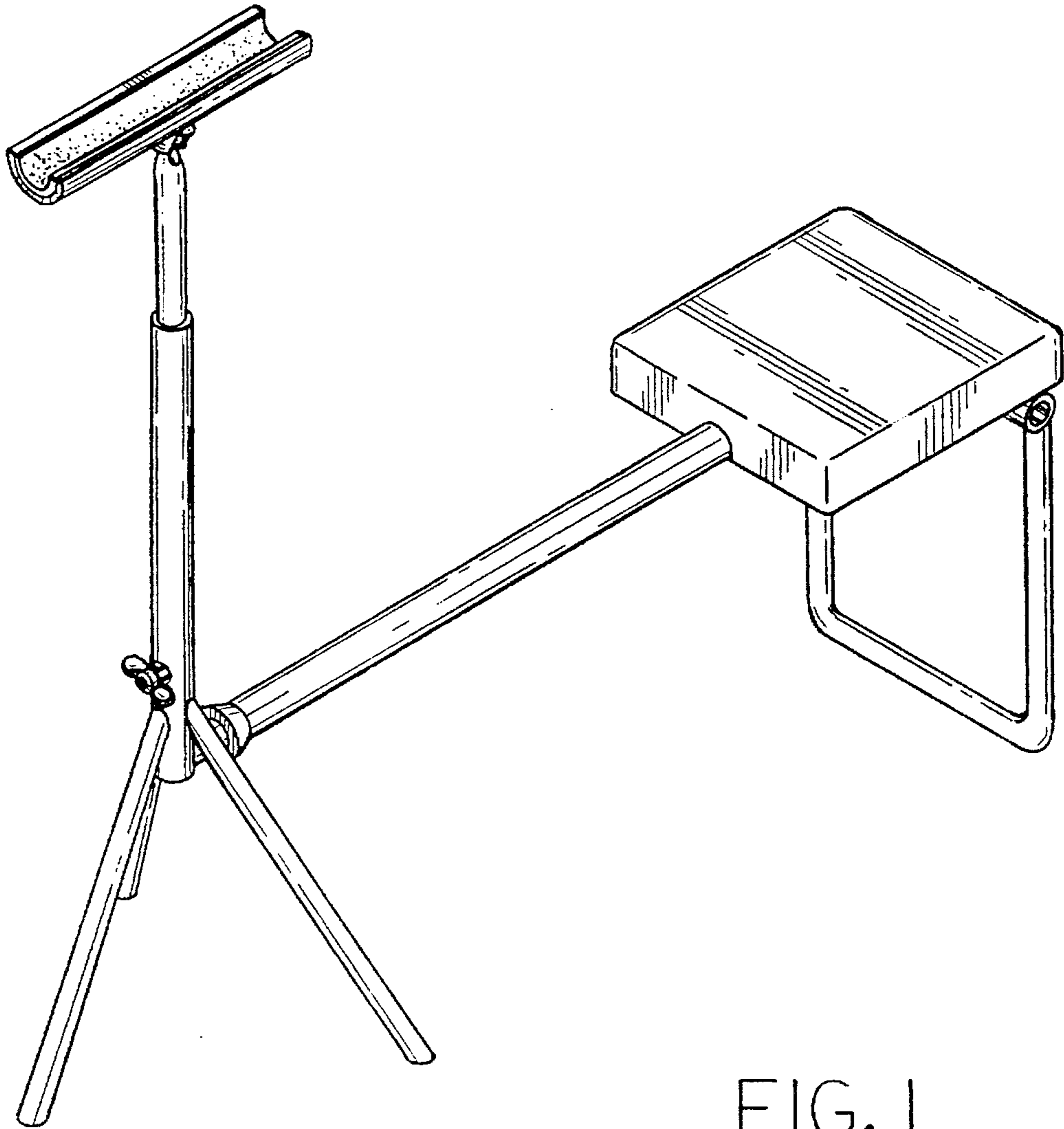


FIG. 1

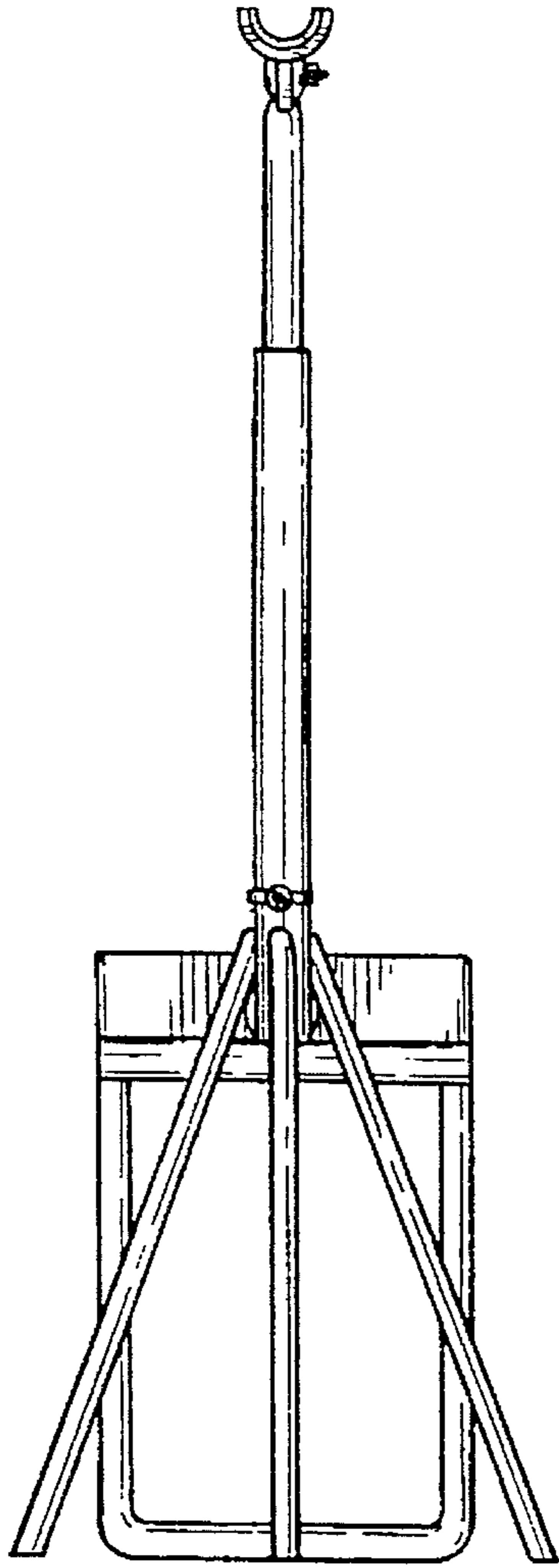


FIG. 2

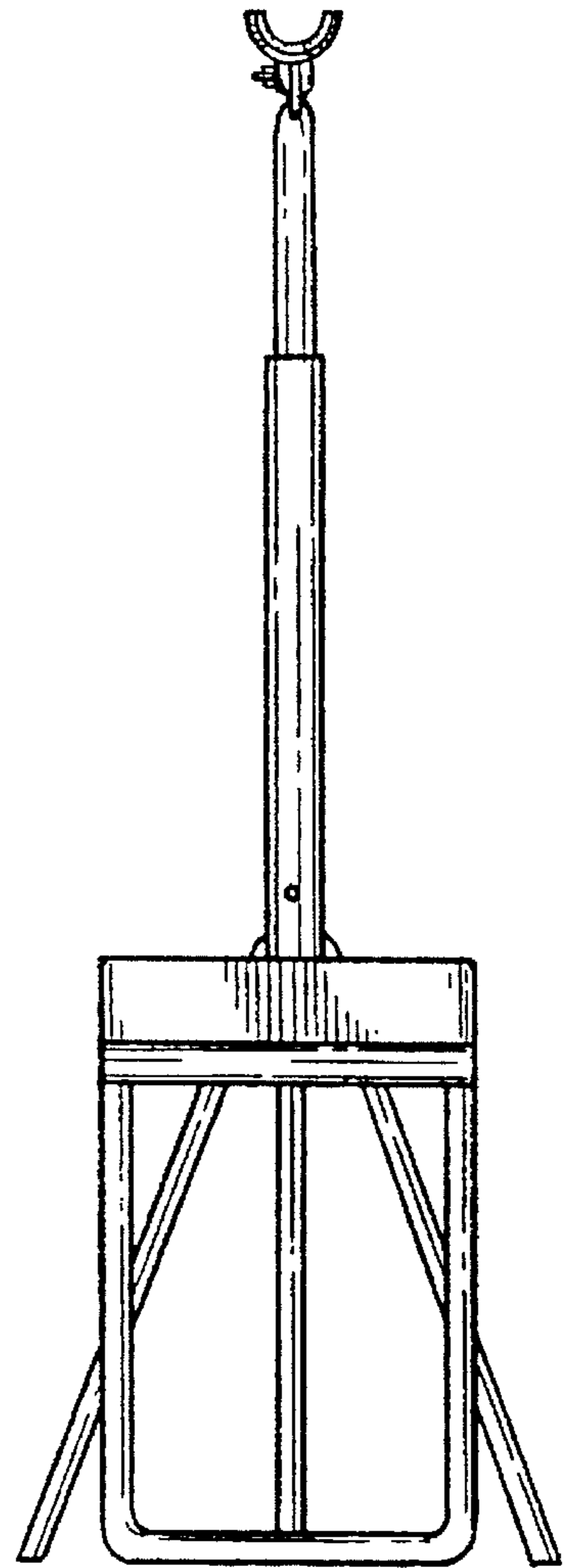


FIG. 3

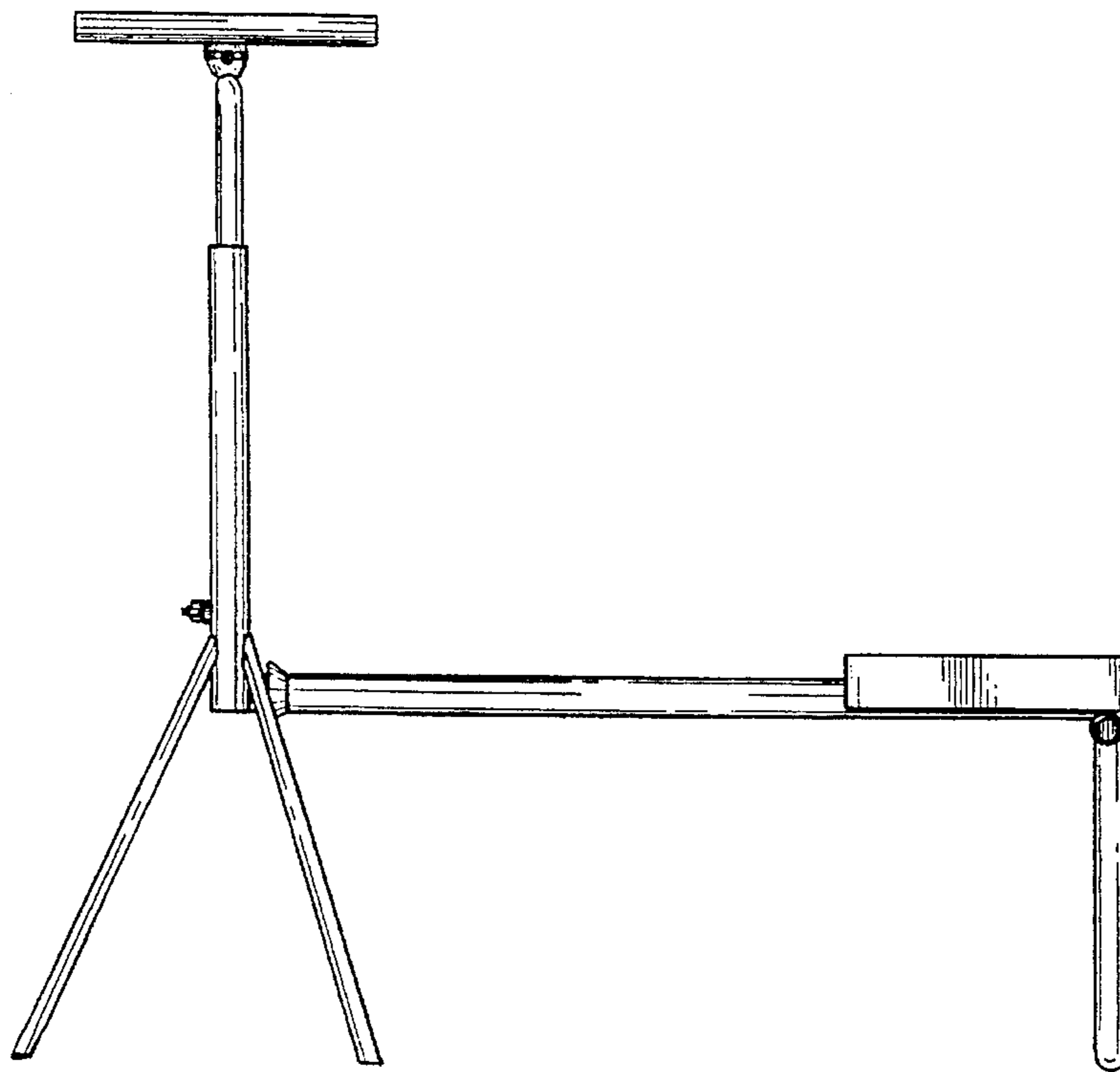


FIG. 4

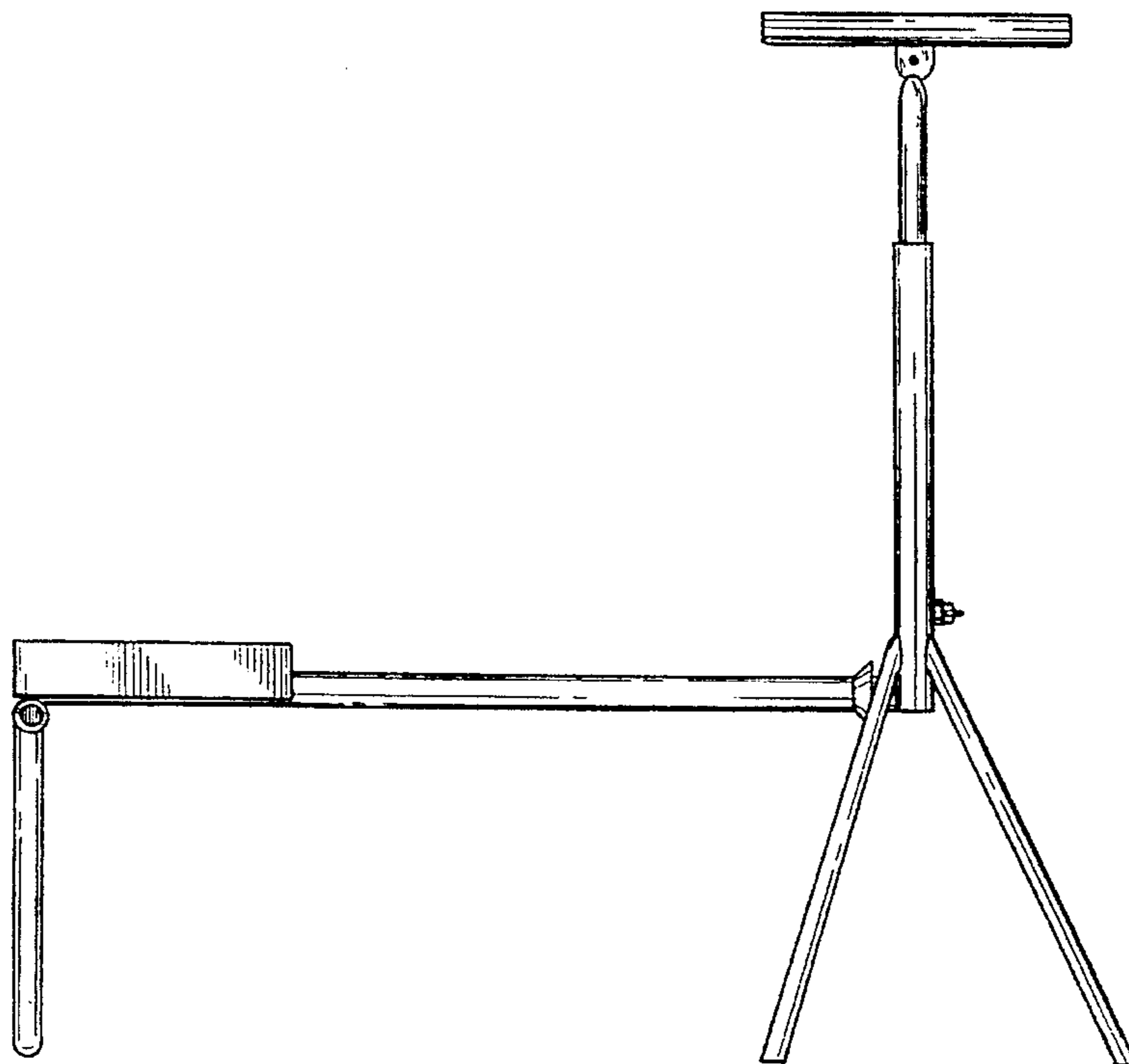


FIG. 5

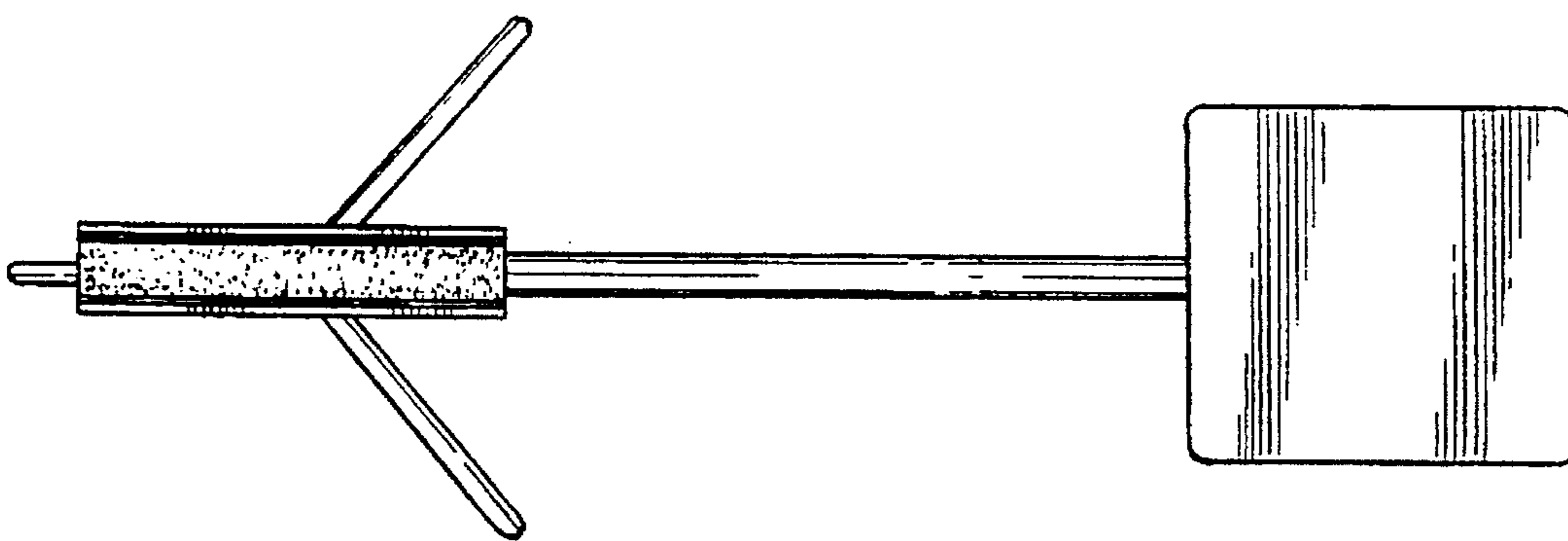


FIG. 6

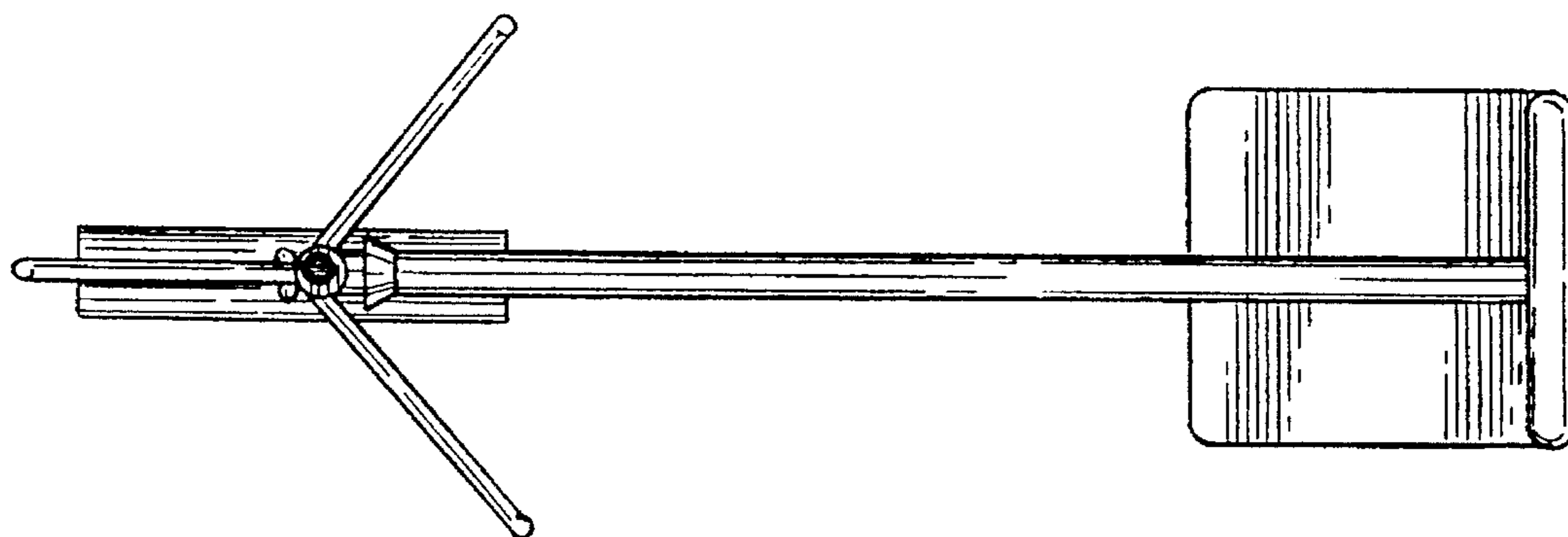


FIG. 7