



US00D377819S

United States Patent [19]
Kleinfelter

[11] **Patent Number:** **Des. 377,819**

[45] **Date of Patent:** ****Feb. 4, 1997**

[54] **GOLF PUTTER**

[76] **Inventor:** **Thomas Kleinfelter**, P.O. Box 249,
Maple City, Mich. 49664

[**] **Term:** **14 Years**

[21] **Appl. No.:** **46,259**

[22] **Filed:** **Nov. 9, 1995**

[52] **U.S. Cl.** **D21/219**

[58] **Field of Search** D21/217-219;
473/340, 341, 251-256

[56] **References Cited**

U.S. PATENT DOCUMENTS

D. 213,838	4/1969	McAllister	D21/217
D. 256,824	9/1980	Ward et al.	D21/217
D. 360,321	8/1995	Rigutto	D21/217
5,454,564	10/1995	Kronogard	473/252 X

Primary Examiner—Ted Shooman
Assistant Examiner—Mitchell I. Siegel
Attorney, Agent, or Firm—Terry M. Gernstein

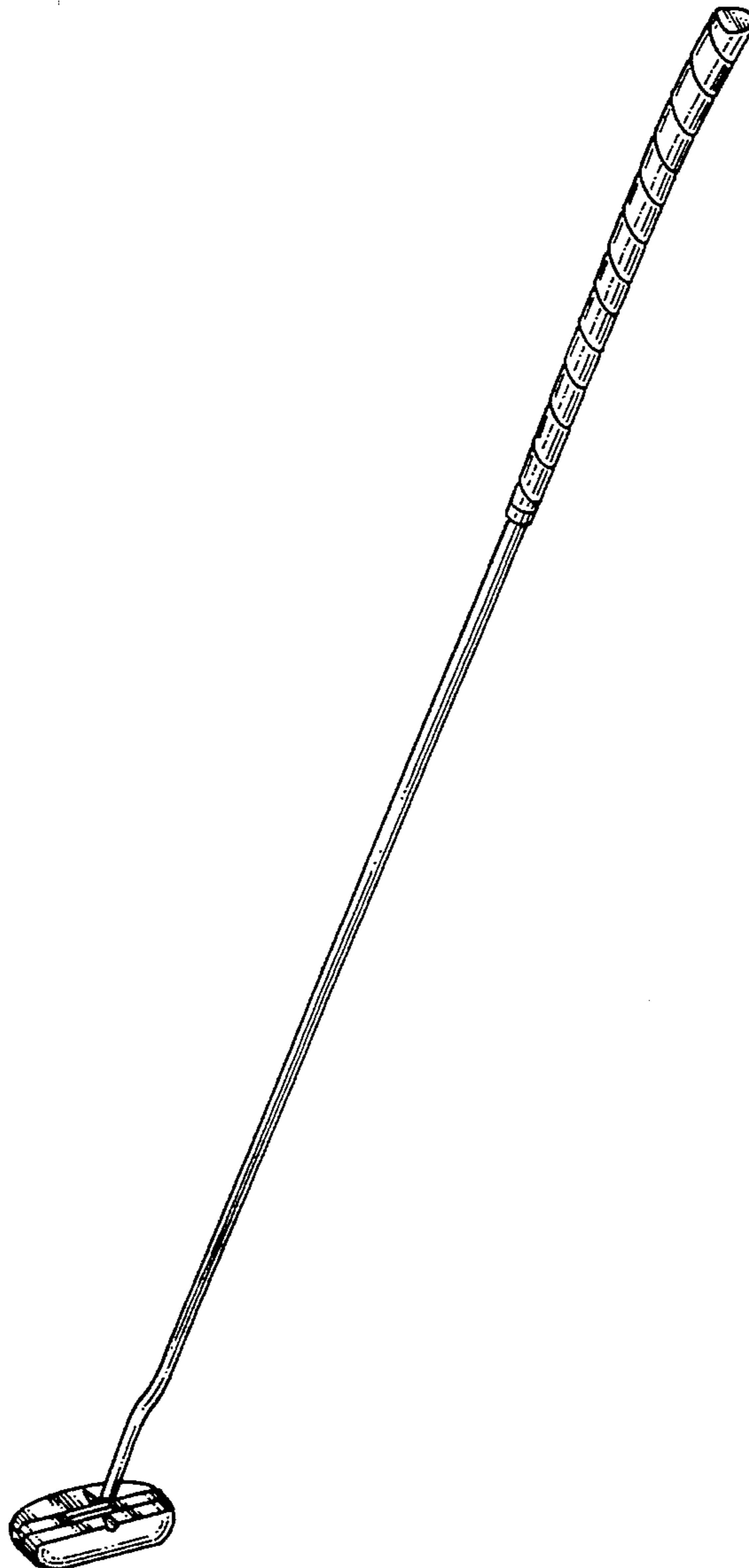
[57] **CLAIM**

The ornamental design for a golf putter, as shown and described.

DESCRIPTION

FIG. 1 is a front, top and side perspective view of the golf putter showing my new design;
FIG. 2 is a front elevational view thereof;
FIG. 3 is a rear elevational view thereof;
FIG. 4 is a right side elevational view thereof;
FIG. 5 is a left side elevational view thereof;
FIG. 6 is a top plan view thereof;
FIG. 7 is a bottom plan view thereof; and,
FIG. 8 is an exploded top plan view thereof.

1 Claim, 4 Drawing Sheets



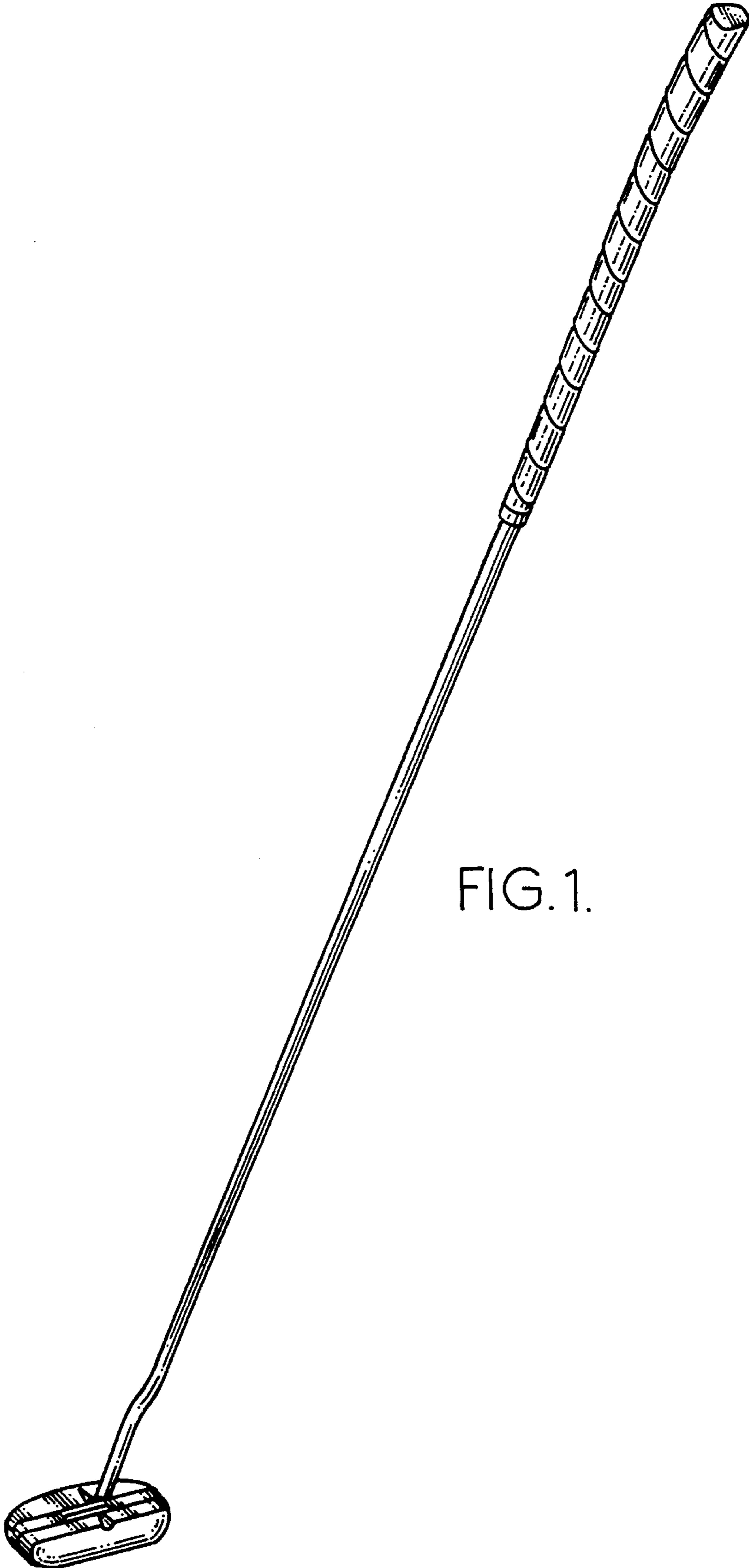


FIG. 1.

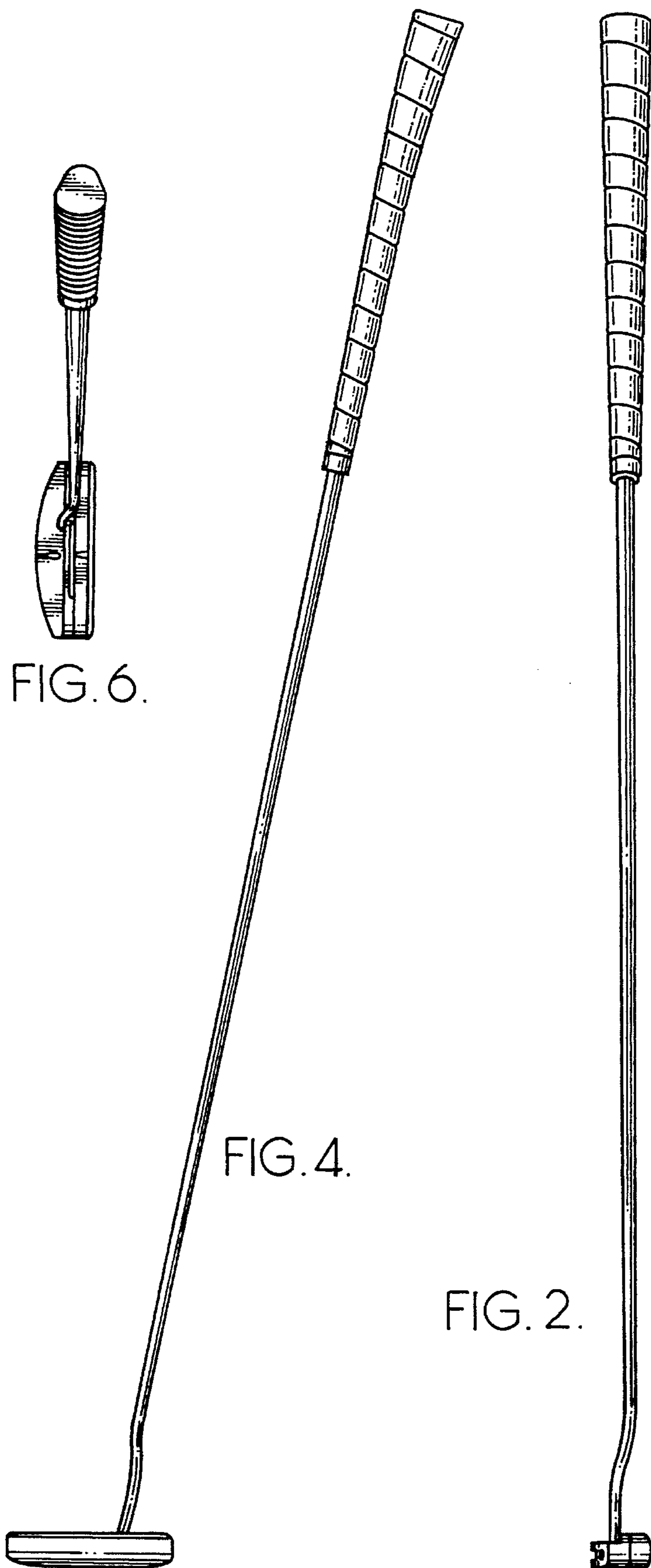


FIG. 6.

FIG. 4.

FIG. 2.

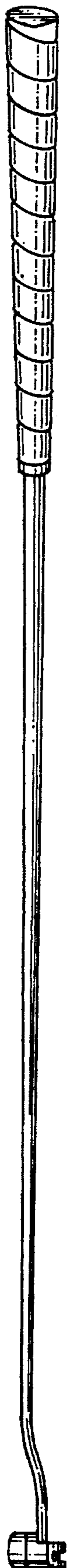


FIG. 3.

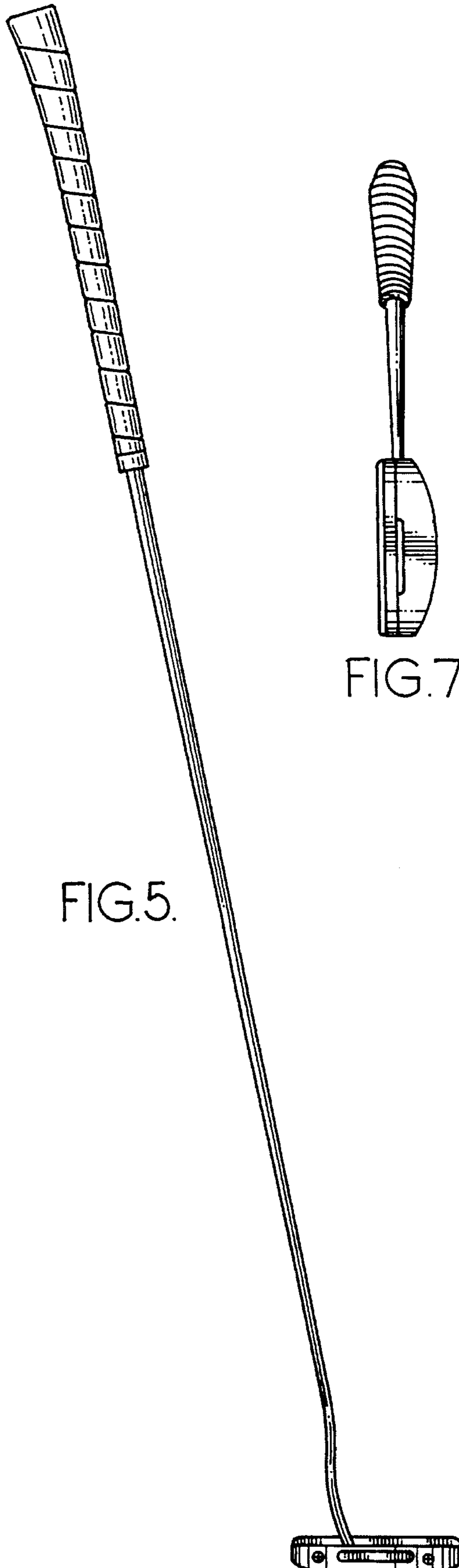


FIG. 5.



FIG. 7

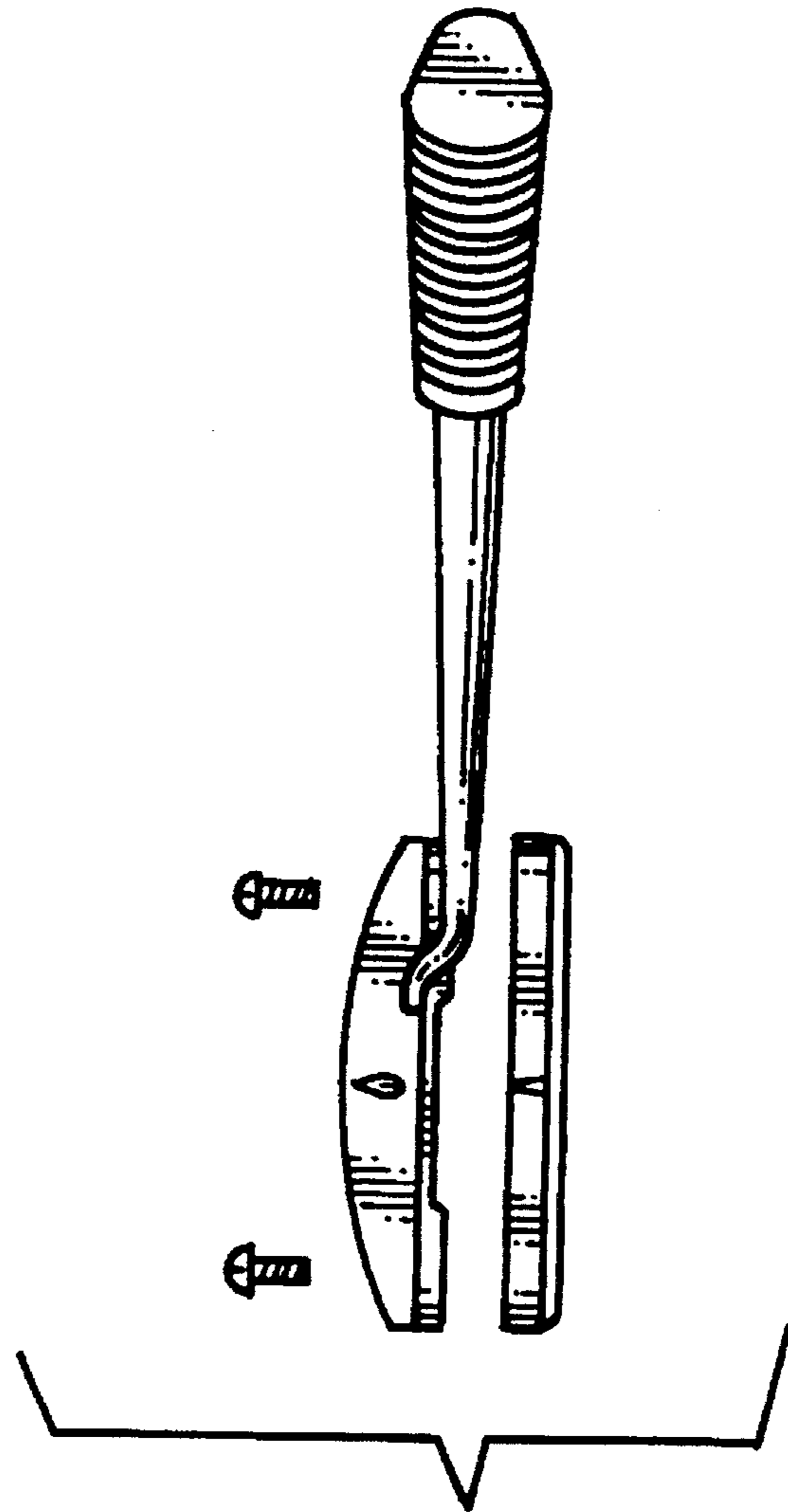


FIG.8.