



US00D377814S

United States Patent [19]
Lieberman

[11] **Patent Number:** **Des. 377,814**
[45] **Date of Patent:** ****Feb. 4, 1997**

[54] **INFLATABLE TOY RACING CAR**
[75] **Inventor:** **Marvin S. Lieberman**, New York, N.Y.
[73] **Assignee:** **Alvimar Manufacturing Co., Inc.**,
Long Island City, N.Y.
[**] **Term:** **14 Years**

4,223,474 9/1980 Strauss .
4,678,451 7/1987 Ventura .
4,895,546 1/1990 Rakonjac .
5,131,880 7/1992 Nesbit et al. .
5,273,477 12/1993 Adams, Jr. .
5,335,436 8/1994 Gurr .

FOREIGN PATENT DOCUMENTS

2808436 8/1979 Germany .

Primary Examiner—Raphael Barkai
Attorney, Agent, or Firm—Rosen, Dainow & Jacobs Limited
Liability Partnership

[21] **Appl. No.:** **25,857**
[22] **Filed:** **Jul. 14, 1994**
[52] **U.S. Cl.** **D21/136**
[58] **Field of Search** D21/78, 84, 136,
D21/137; D12/192; 446/465, 470, 220

[57] **CLAIM**

The ornamental design for an inflatable toy racing car, as shown and described.

[56] **References Cited**

U.S. PATENT DOCUMENTS

D. 279,593 7/1985 Dantzer D21/136
D. 281,087 10/1985 Ohno D21/136
D. 295,301 4/1988 Matsumoto D21/136
D. 328,110 7/1992 Baker et al. D21/84
D. 341,394 11/1993 Chazen et al. D21/136
1,485,577 3/1924 Witten .
1,765,435 6/1930 McBride .
1,881,048 10/1932 Dorogi et al. .
3,801,403 4/1974 Lucek .
4,146,992 4/1979 Smith .

DESCRIPTION

FIG. 1 is a front perspective view of an inflatable car showing my new design;
FIG. 2 is a front elevation view thereof;
FIG. 3 is a left side elevational view thereof;
FIG. 4 is a bottom plan view thereof;
FIG. 5 is a top plan view thereof; and,
FIG. 6 is a rear elevation view thereof.

1 Claim, 3 Drawing Sheets

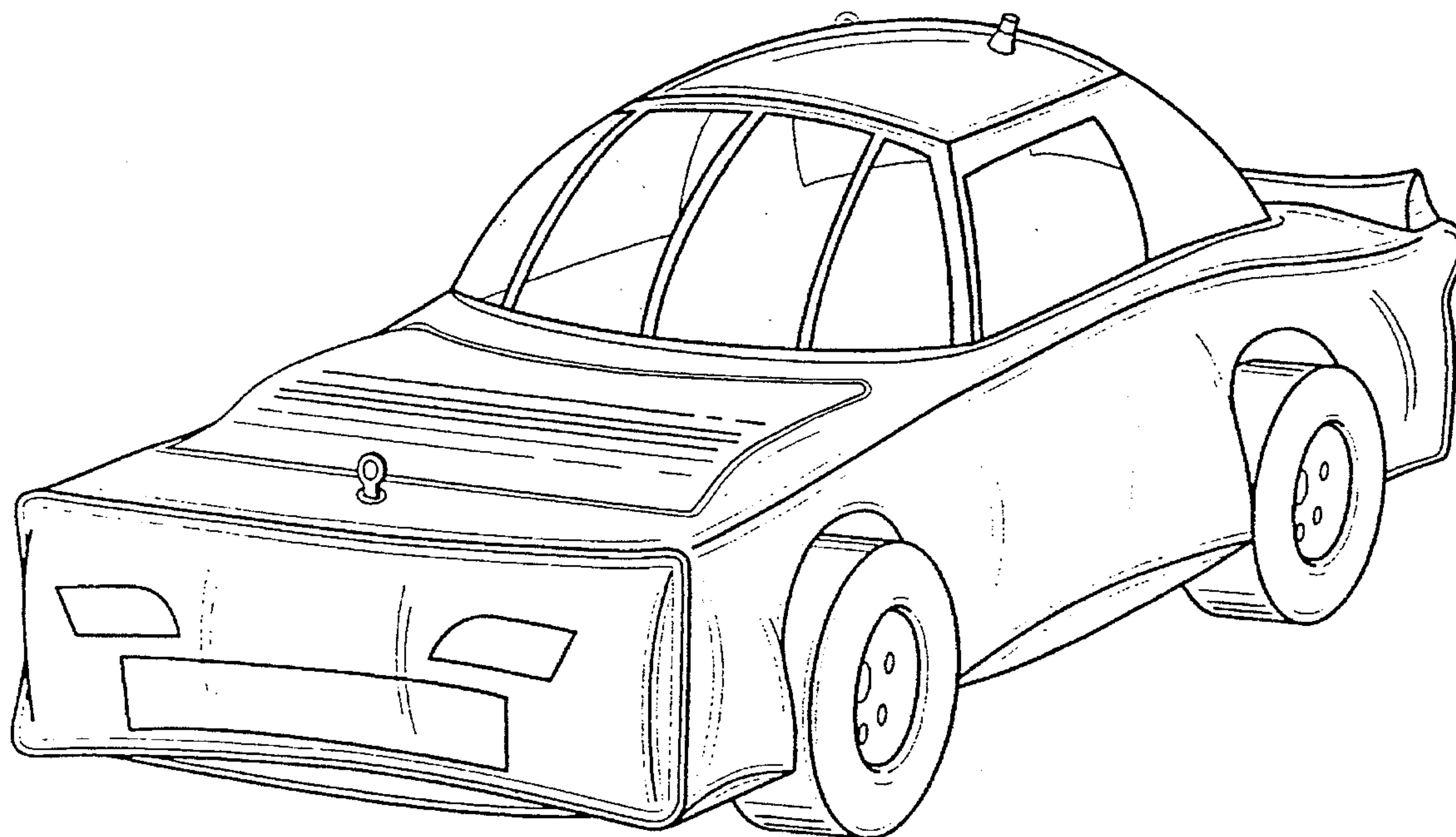


FIG. 1

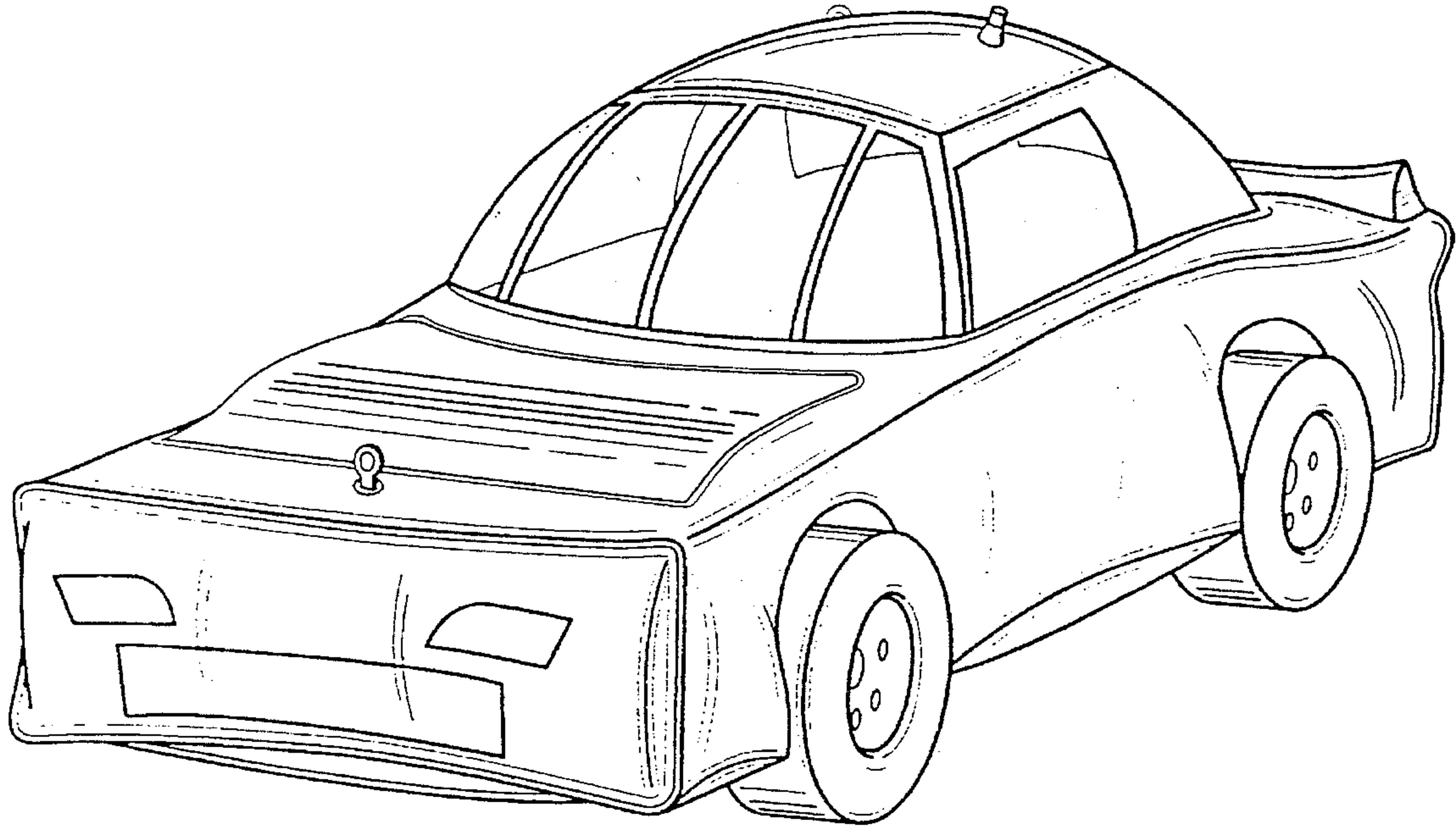


FIG. 2

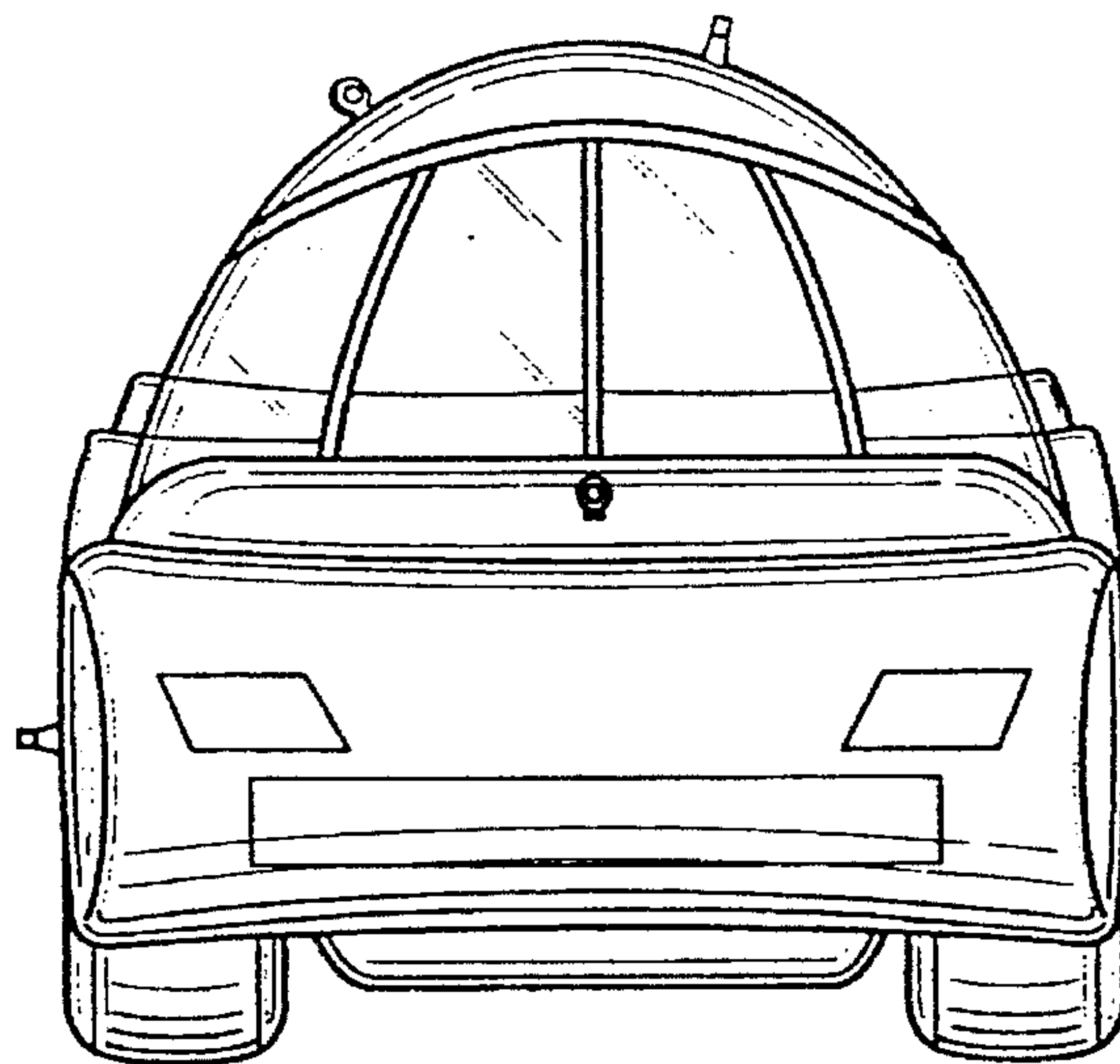


FIG. 3

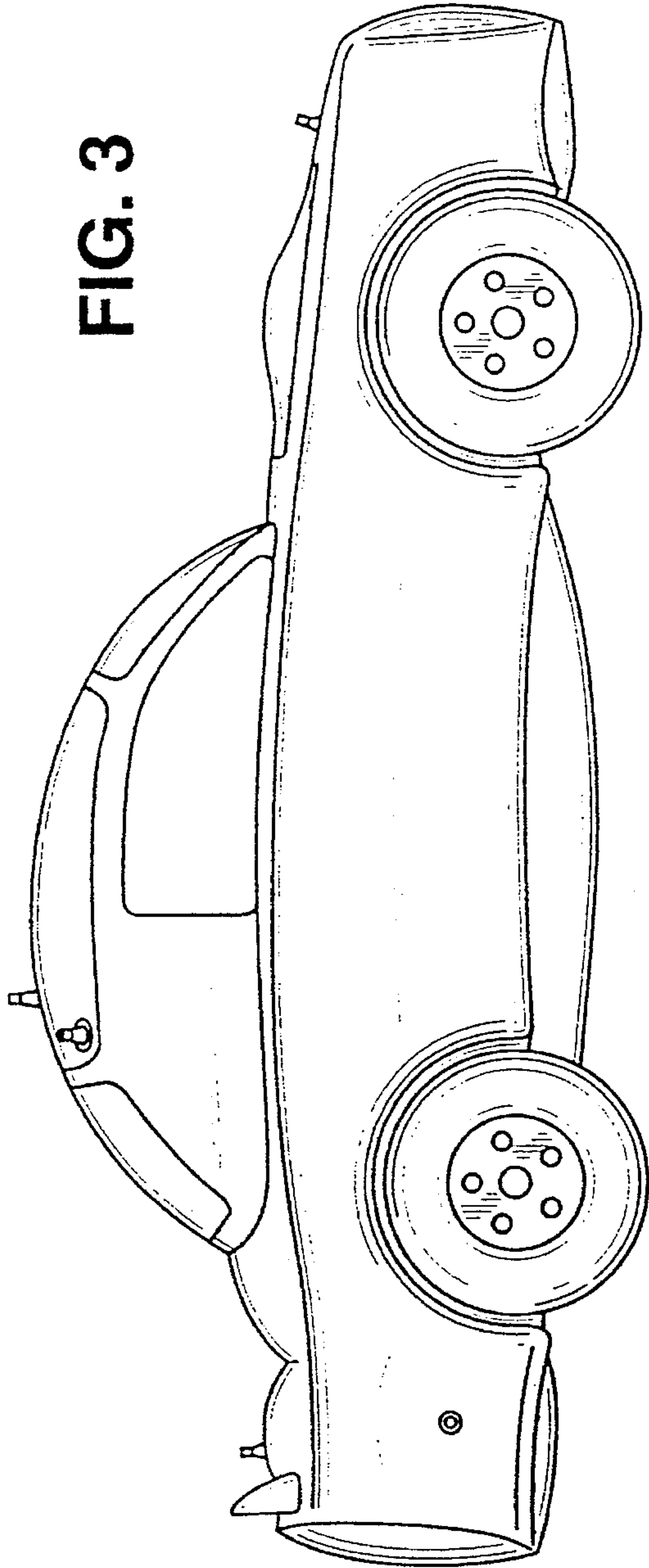


FIG. 4

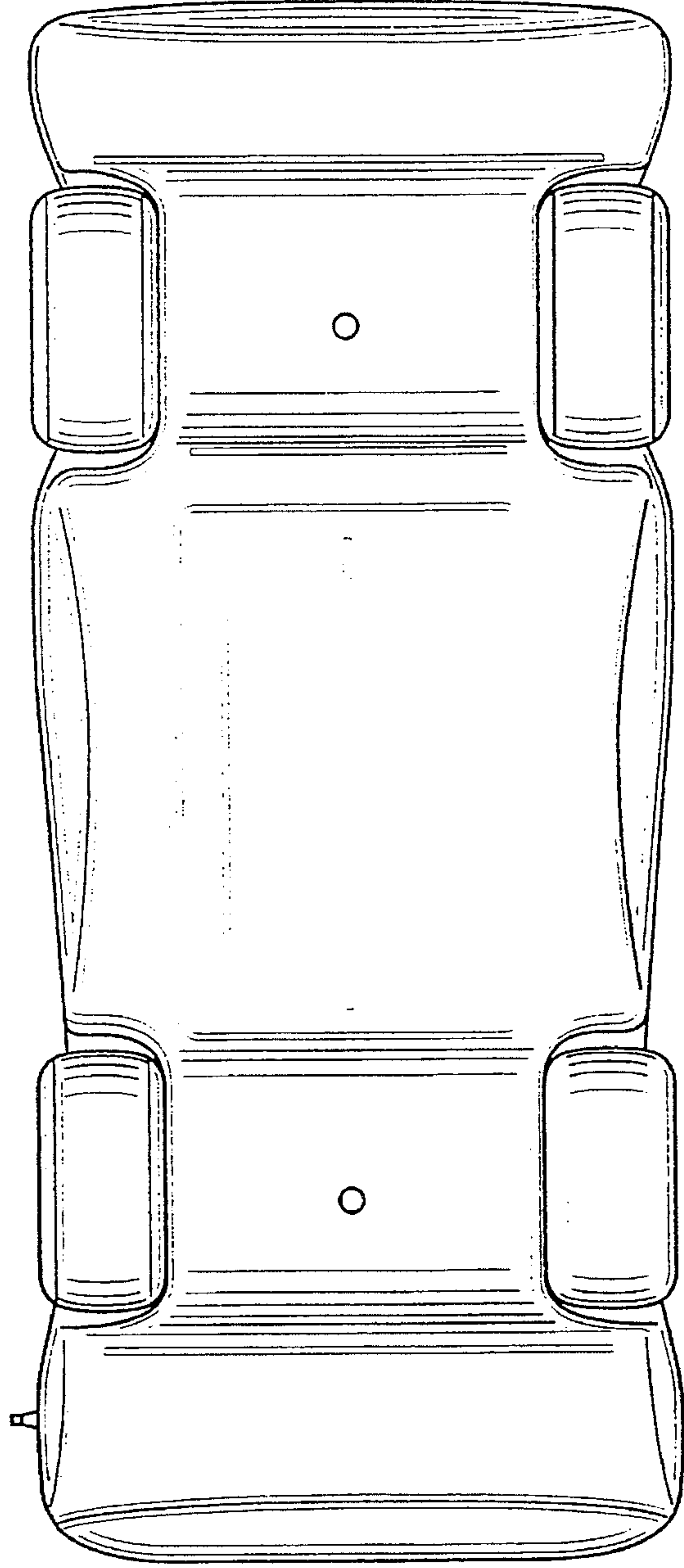


FIG. 5

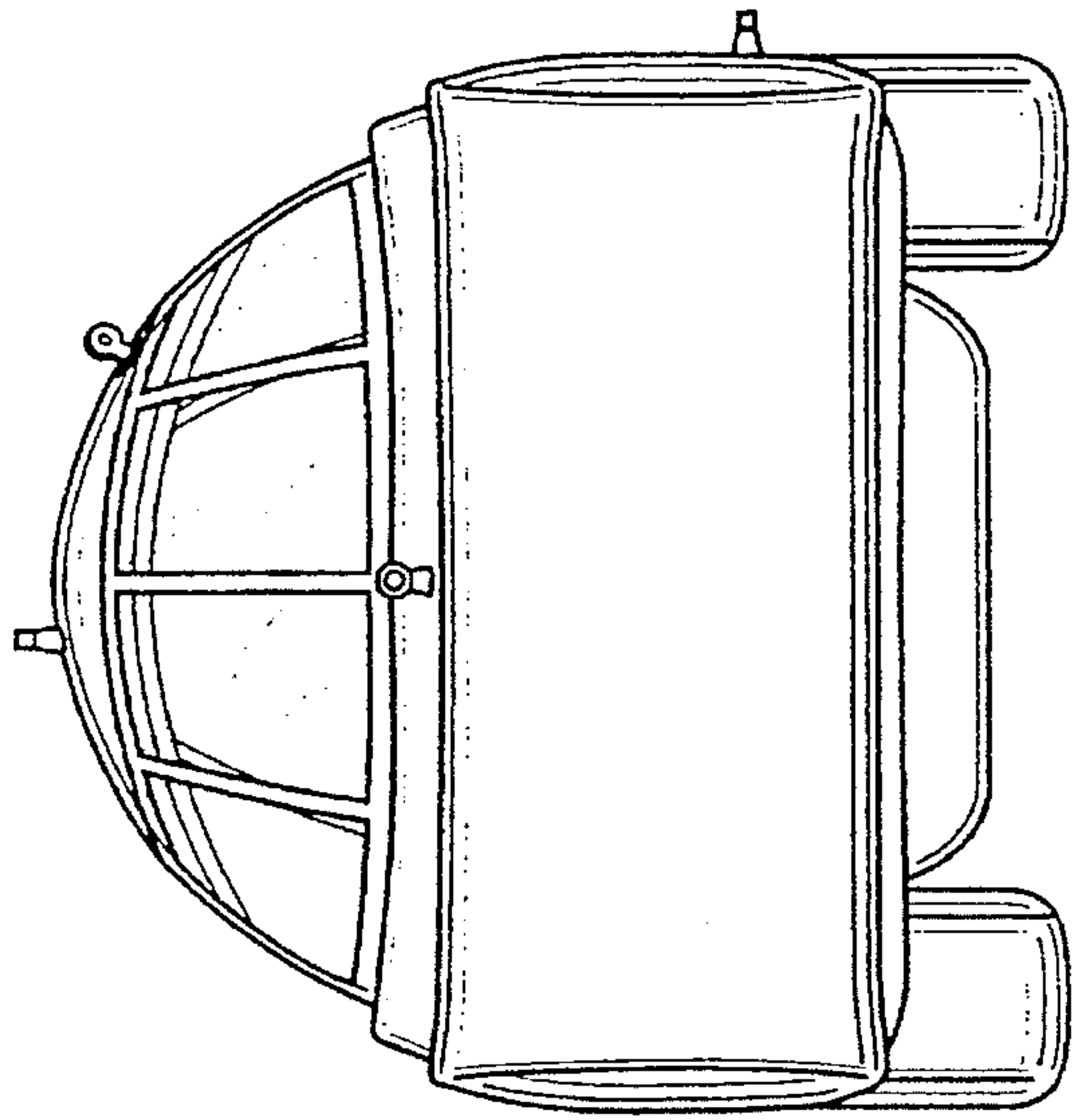
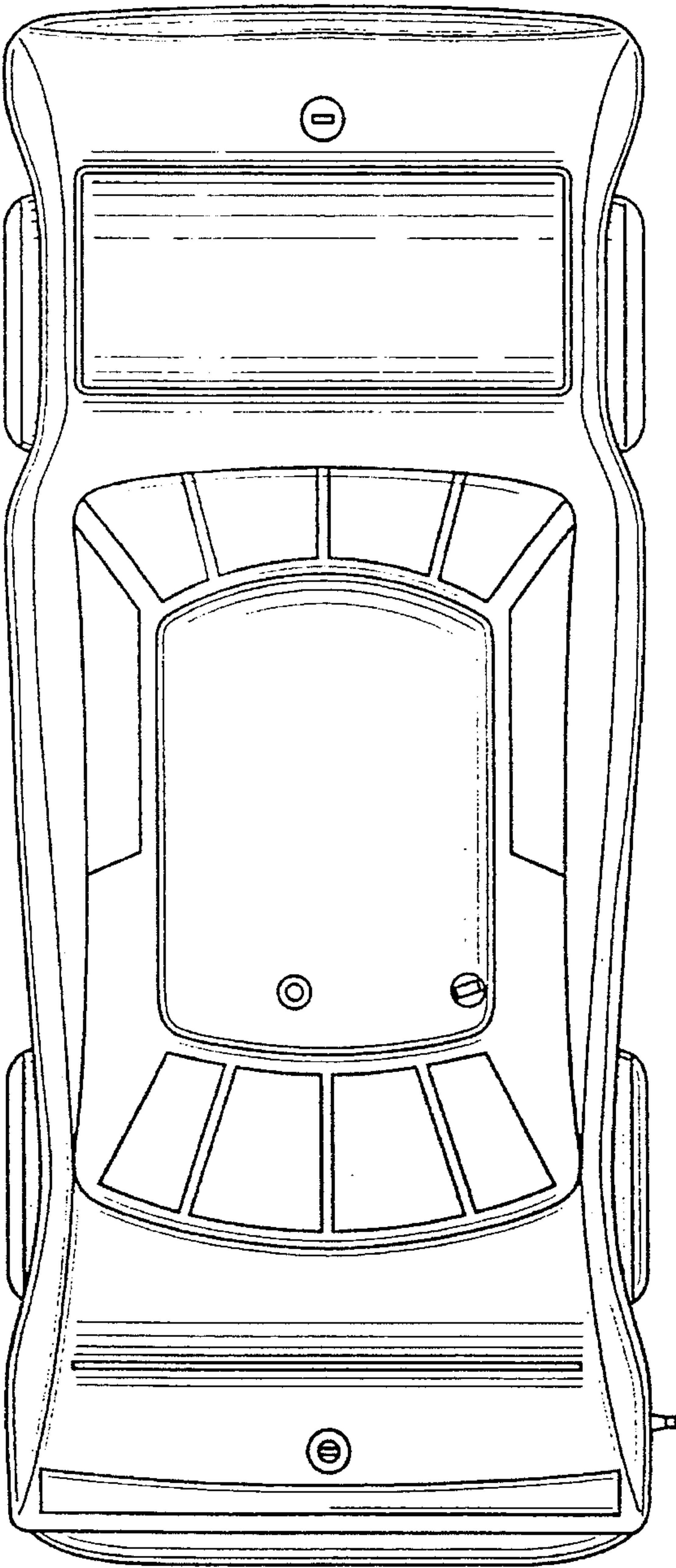


FIG. 6