



US00D377809S

United States Patent [19]

DiMarco, Sr. et al.

[11] Patent Number: **Des. 377,809**

[45] Date of Patent: ****Feb. 4, 1997**

[54] ILLUMINATED STREET ADDRESS SIGN

4,903,426 2/1990 Hince 40/568 X
5,048,210 9/1991 Taylor et al. 40/564 X

[76] Inventors: **Jack S. DiMarco, Sr.; Beverly DiMarco**, both of 3270 Deer Lick Ct., Kissimmee, Fla. 34746

Primary Examiner—Susan J. Lucas
Assistant Examiner—Jennifer Regester
Attorney, Agent, or Firm—Harold H. Dutton, Jr.; W. Charles L. Jamison; Diane F. Liebman

[**] Term: **14 Years**

[57] CLAIM

[21] Appl. No.: **35,522**

The ornamental design for an illuminated street address sign, as shown and described.

[22] Filed: **Mar. 1, 1995**

[52] U.S. Cl. **D20/17**

[58] Field of Search D20/17, 10, 12,
D20/19, 42, 43; 40/541, 542, 543, 553,
557, 568, 612, 549, 544, 564

DESCRIPTION

[56] References Cited

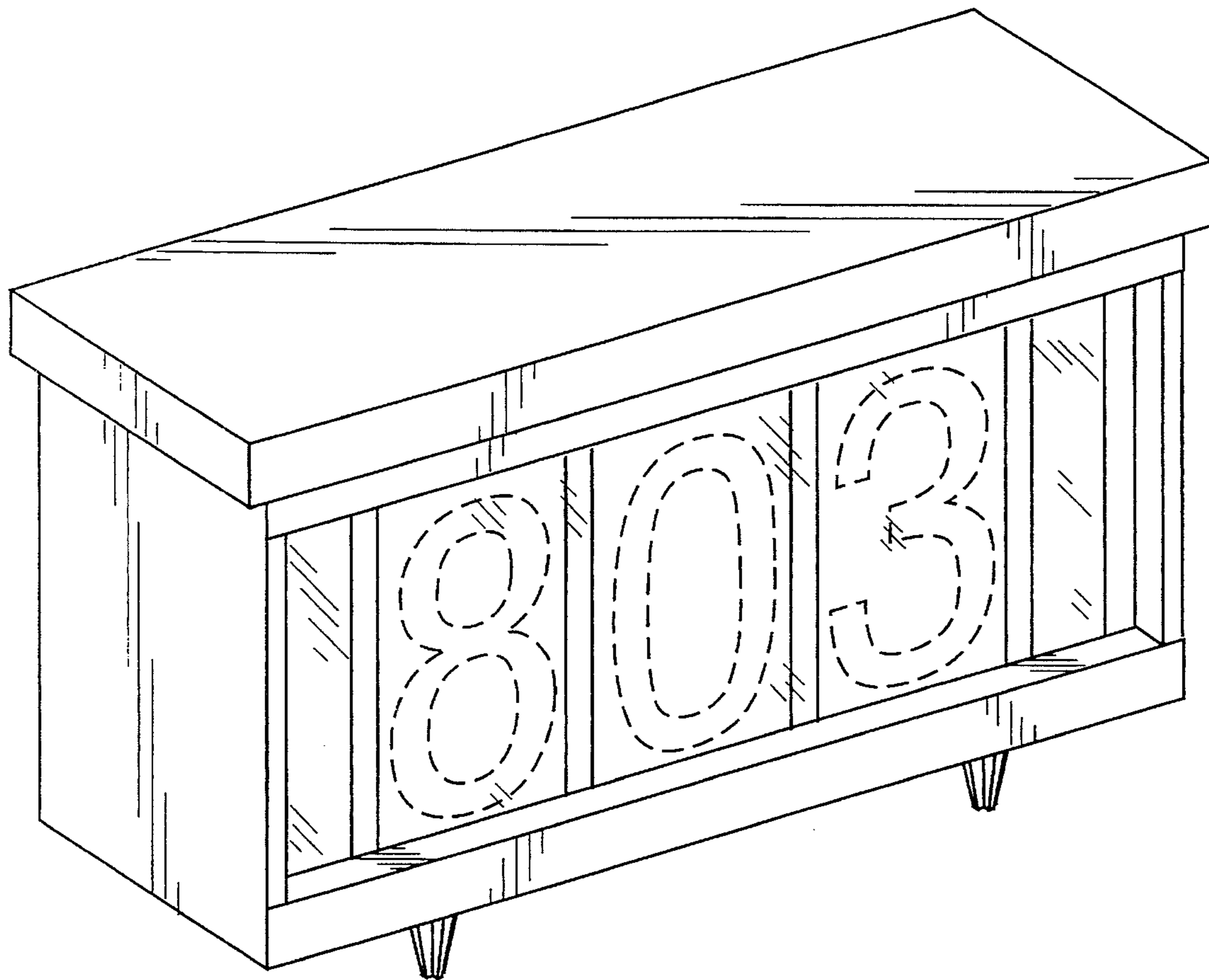
U.S. PATENT DOCUMENTS

D. 177,482	4/1956	Plishker	D20/17
D. 307,768	5/1990	Levin	D20/17
2,798,323	7/1957	Witz	D20/17 X
3,391,481	7/1968	Lloyd	40/549
3,404,474	10/1968	Johnson	40/544
3,680,237	8/1972	Finnerty, Sr.	40/544
4,611,265	9/1986	Davis	40/553 X

FIG. 1 is a perspective view of an illuminated address sign showing my new design;
FIG. 2 is a rear view thereof;
FIG. 3 is a left side view thereof;
FIG. 4 is a right side view thereof;
FIG. 5 is a top view thereof; and,
FIG. 6 is a bottom view thereof.

The numbers shown in broken lines in FIG. 1 are for illustrative purposes only and form no part of the claimed design.

1 Claim, 4 Drawing Sheets



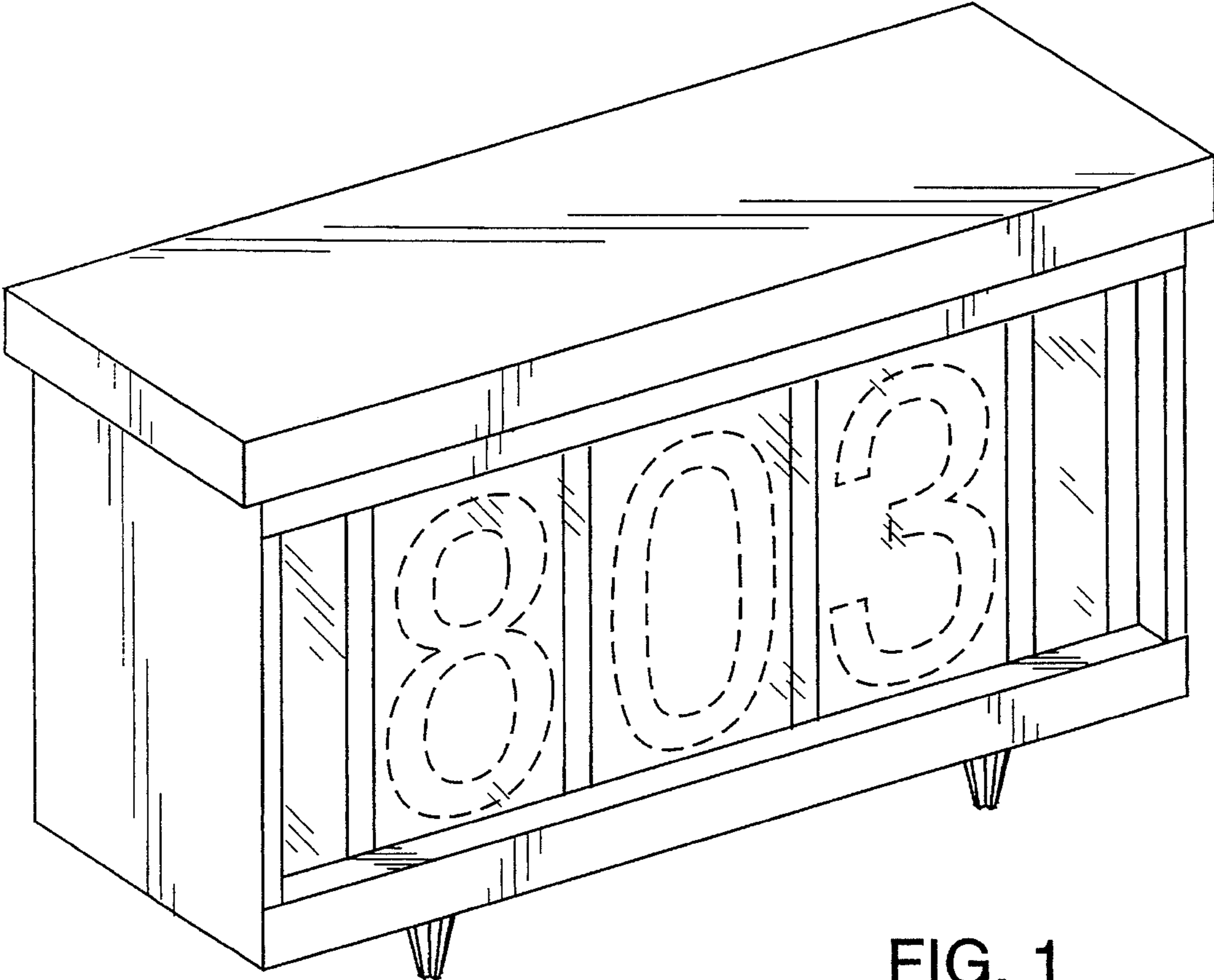
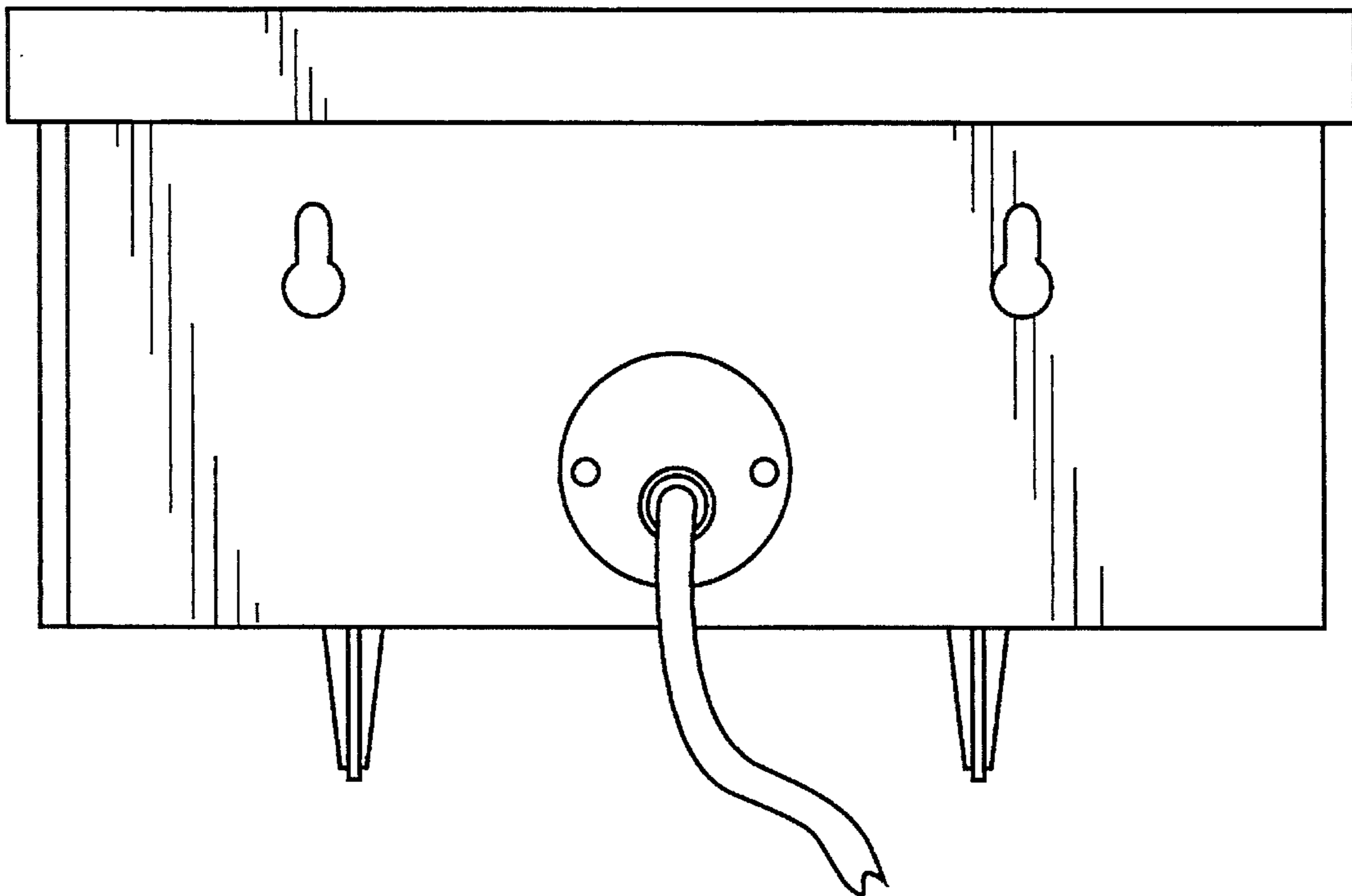


FIG. 1

FIG. 2



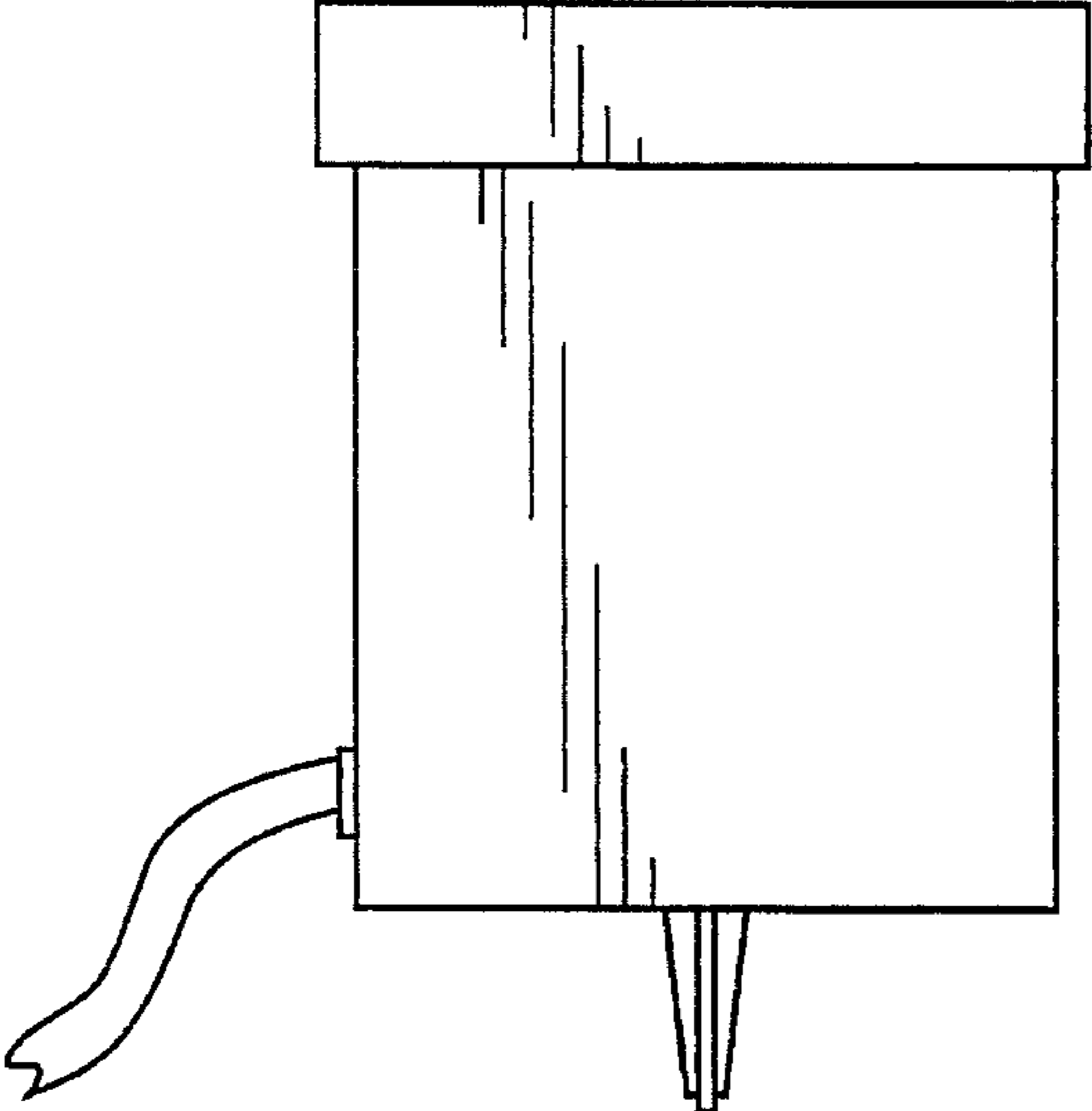


FIG. 3

FIG. 4

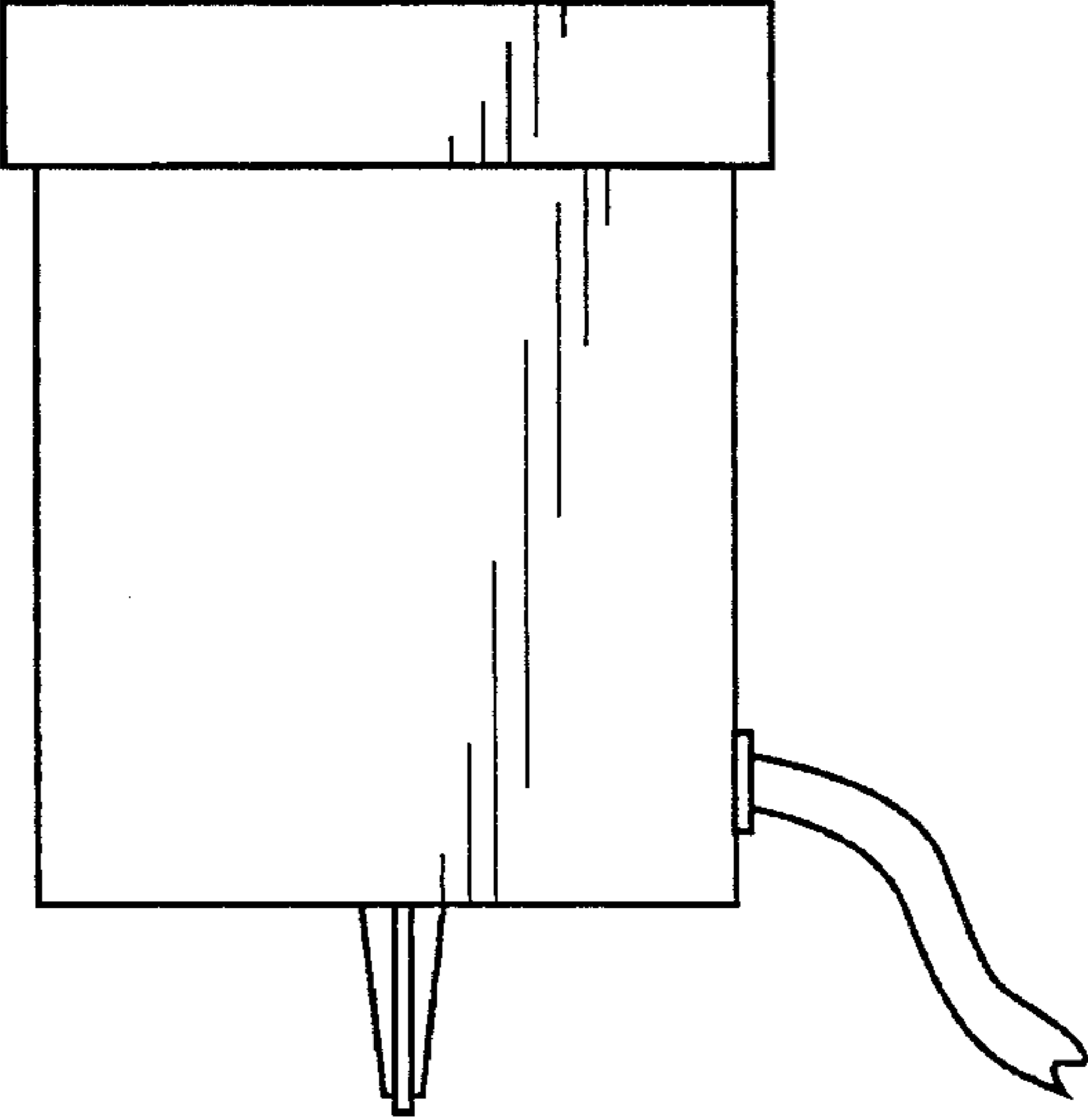


FIG. 5

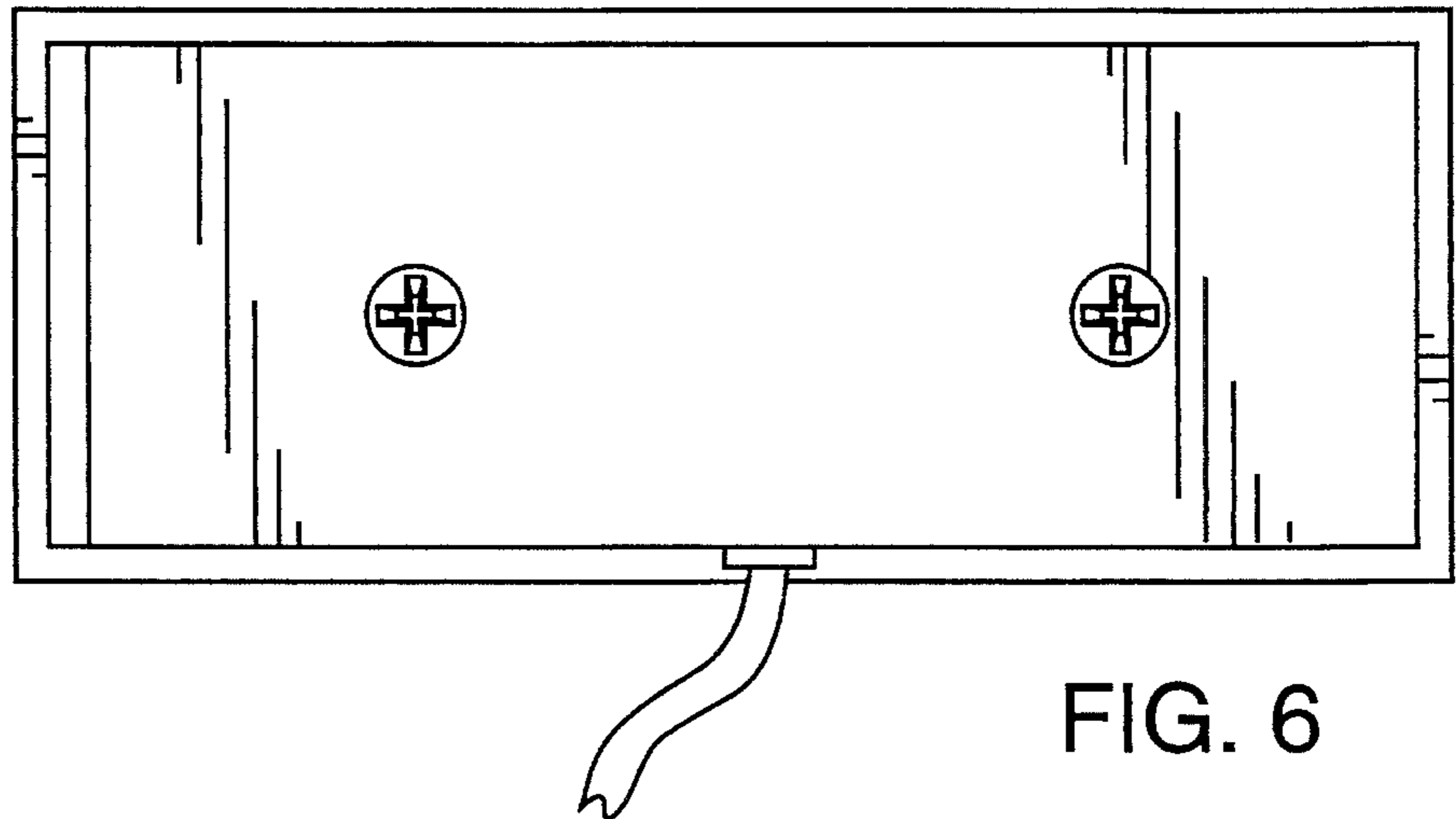
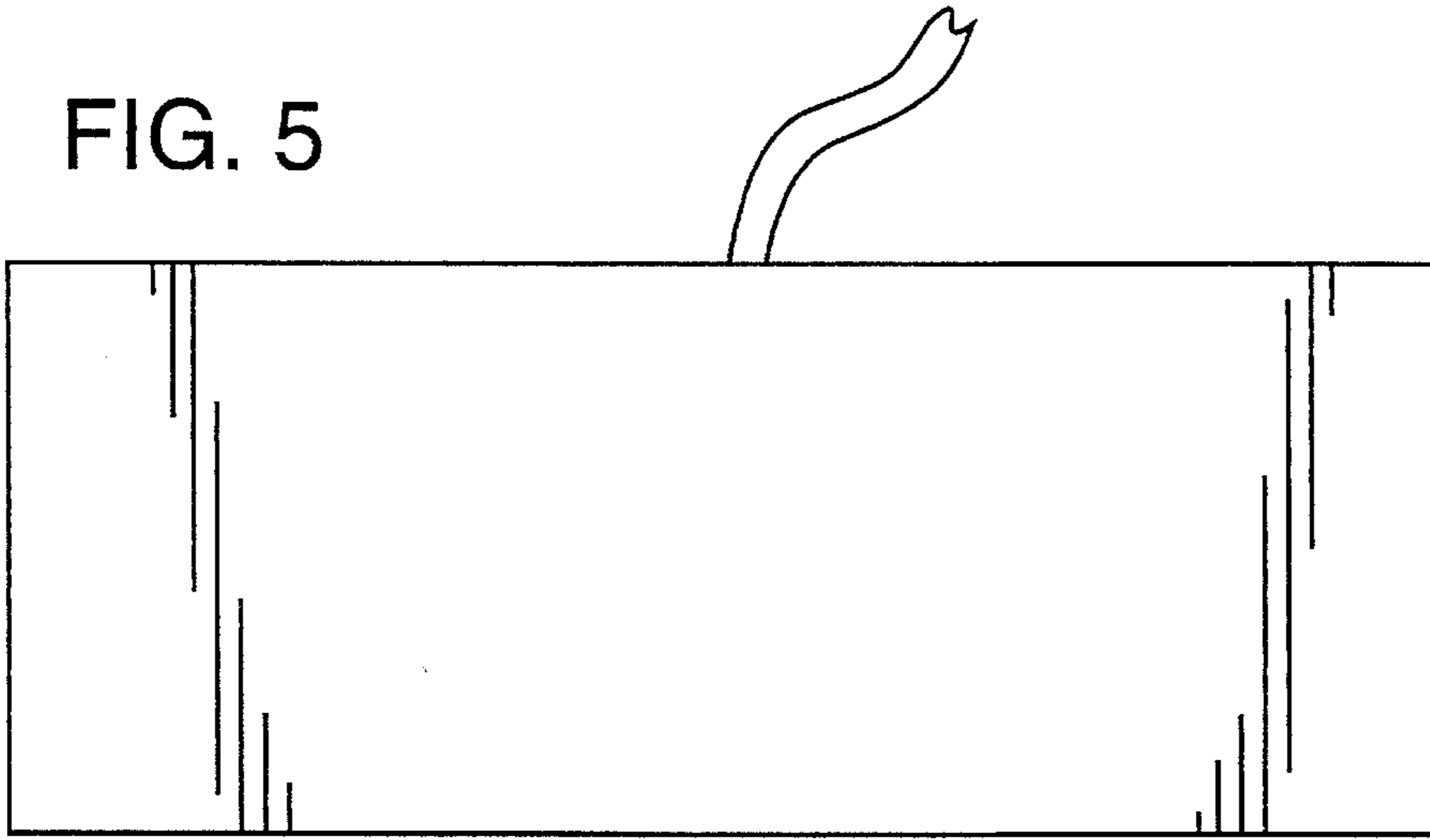


FIG. 6