



US00D377808S

United States Patent [19]
Coe

[11] **Patent Number: Des. 377,808**
[45] **Date of Patent: **Feb. 4, 1997**

[54] **MAGNETIC BUSINESS CARD HOLDER**

[75] **Inventor: Matthew Coe, Cedar Grove, N.J.**

[73] **Assignee: PharmaDesign, Inc., Warren, N.J.**

[**] **Term: 14 Years**

[21] **Appl. No.: 38,407**

[22] **Filed: May 5, 1995**

[52] **U.S. Cl. D19/90; D3/247; D20/43; D19/65**

[58] **Field of Search D3/247; D20/43; D19/1, 65, 75, 78, 86, 90, 91, 99, 100; 40/124.4, 642, 643, 649, 5, 152, 152.1, 124.1, 124**

[56] **References Cited**

U.S. PATENT DOCUMENTS

D. 68,627	11/1925	Horton	D20/43
D. 133,663	9/1942	Beason	D20/43
D. 148,175	12/1947	Keillor	D20/43
D. 337,656	7/1993	Hostert	D3/247

D. 343,638	1/1994	Kovner	D19/1
D. 345,860	4/1994	Lacy	D3/247
D. 348,286	6/1994	Garfinkle	D20/43
D. 356,822	3/1995	Volk	D19/86 X
2,128,793	8/1938	Bondy Bey	D19/1 X

Primary Examiner—Martie Thompson
Attorney, Agent, or Firm—Bryan, Levitin & Bab, LLP

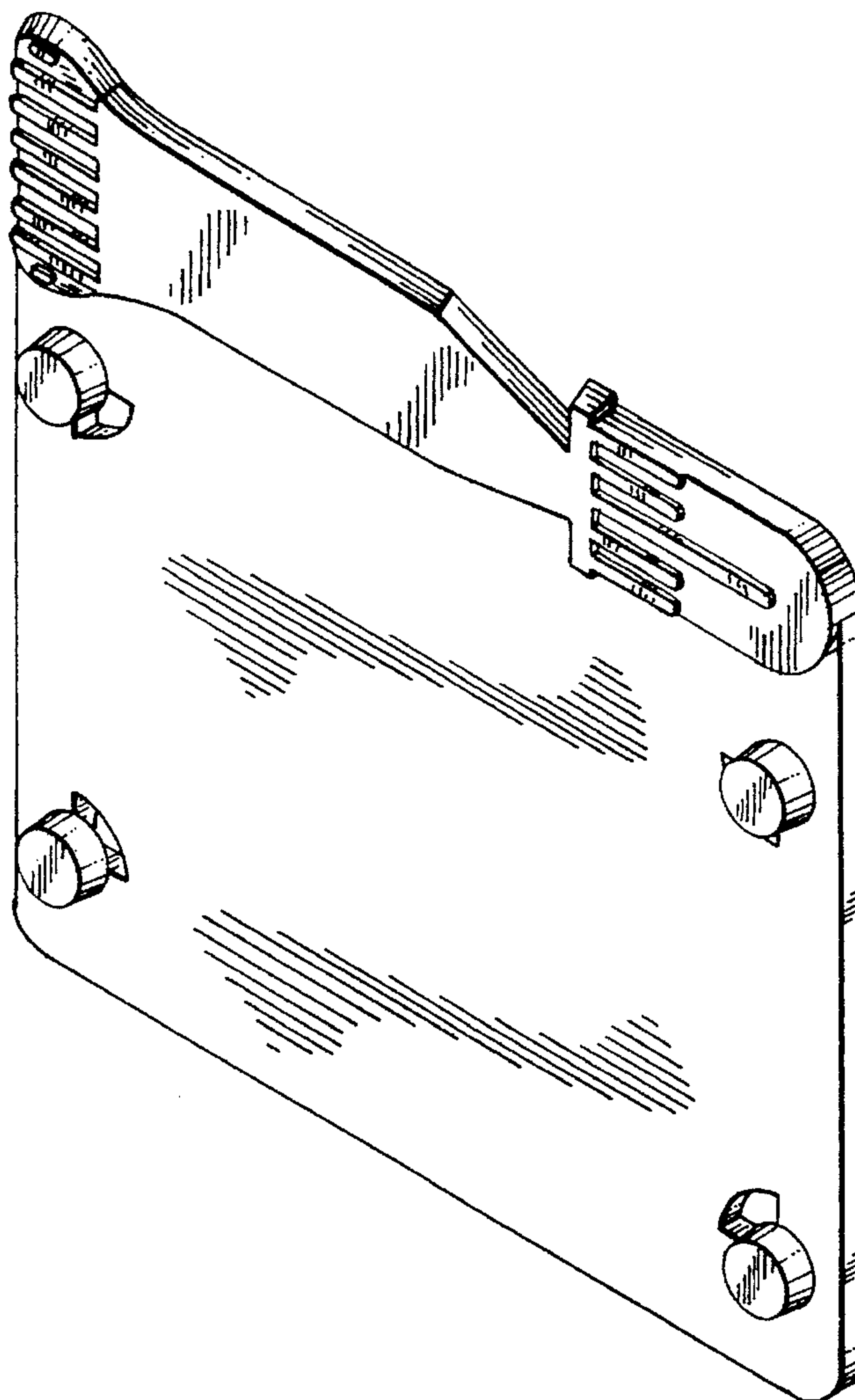
[57] **CLAIM**

The ornamental design for a magnetic business card holder, shown and described.

DESCRIPTION

FIG. 1 is a top, front, and right side perspective view of a magnetic business card holder showing my new design; FIG. 2 is a top plan view thereof; FIG. 3 is a rear elevation view thereof; FIG. 4 is a left side elevation view thereof; FIG. 5 is a right side elevation view thereof; FIG. 6 is a bottom plan view thereof; and, FIG. 7 is a front elevation view thereof.

1 Claim, 2 Drawing Sheets



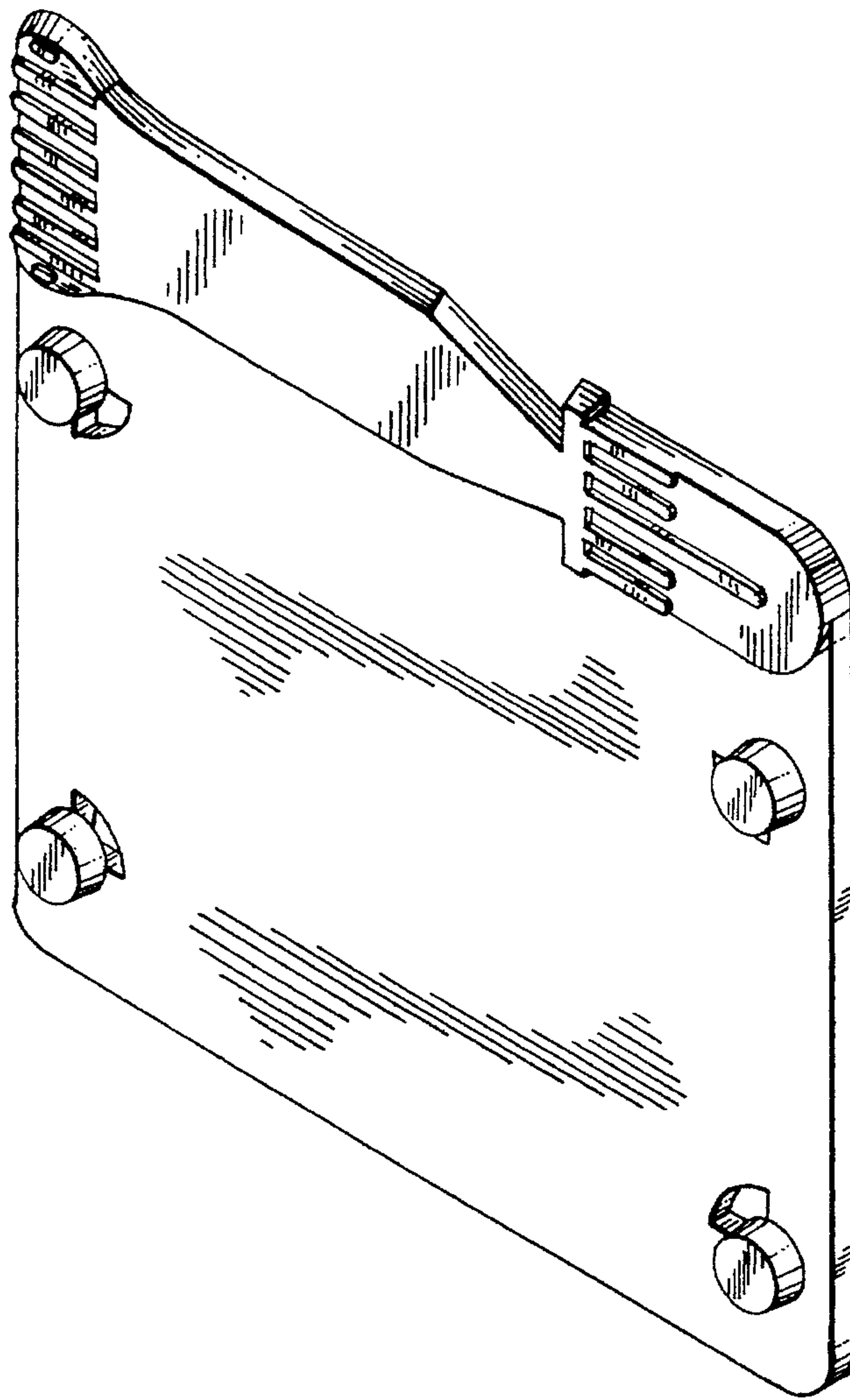


FIG. 1

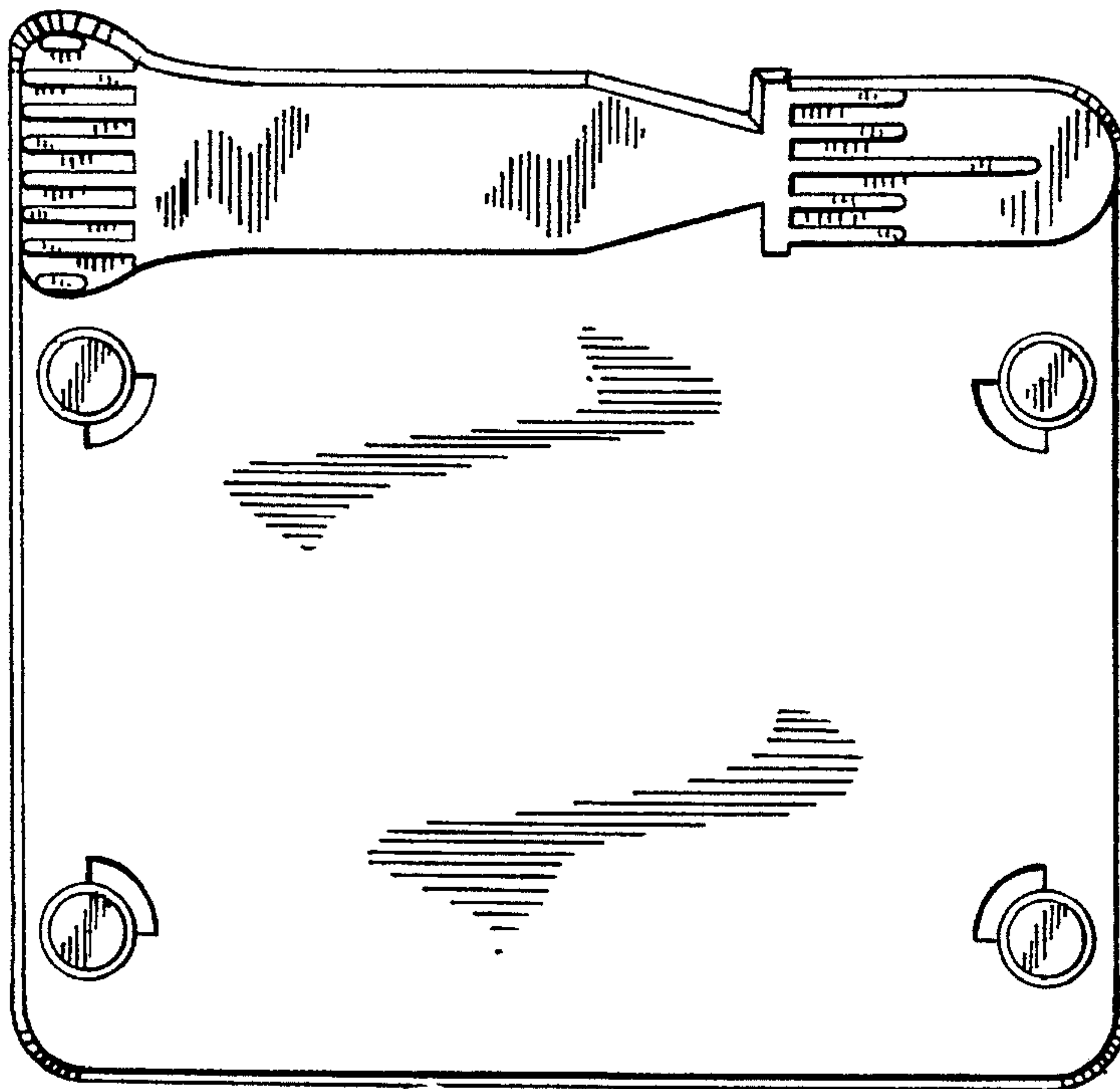


FIG. 2

FIG. 3



FIG. 4

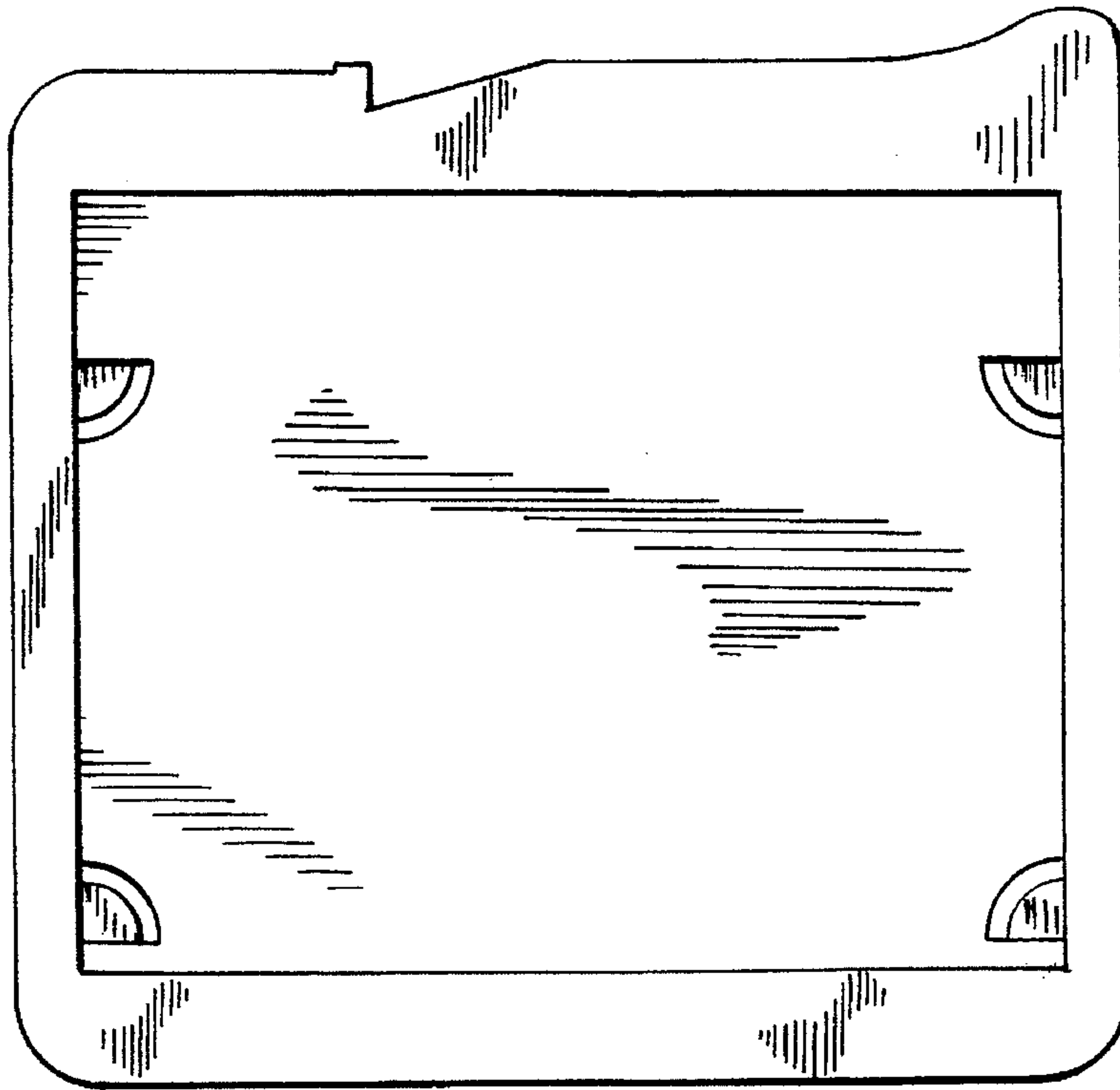


FIG. 6



FIG. 5



FIG. 7