



US00D377807S

# United States Patent [19]

Green et al.

[11] Patent Number: **Des. 377,807**

[45] Date of Patent: **\*\*Feb. 4, 1997**

[54] **ROTARY ORGANIZER**

[75] Inventors: **Patrick M. Green**, Maryville; **Robert R. Huerto**, Farragut, both of Tenn.

[73] Assignee: **Rubbermaid Office Products Inc.**, Maryville, Tenn.

[\*\*] Term: **14 Years**

[21] Appl. No.: **53,216**

[22] Filed: **Apr. 17, 1996**

[52] U.S. Cl. .... **D19/77; D19/69; D19/75; D19/85**

[58] Field of Search ..... **D19/65, 75, 77, D19/78, 81-85, 67-69, 95, 99, 100; D7/641; 202/214, 224, 371; 211/69.1-69.9**

[56] **References Cited**

**U.S. PATENT DOCUMENTS**

- D. 266,435 10/1982 Laughlin ..... D19/78 X
- D. 283,630 4/1986 Yuen ..... D19/77 X
- D. 284,235 6/1986 Zinter-Chahin ..... D19/77 X

- D. 328,100 7/1992 Liao ..... D19/85 X
- D. 329,766 9/1992 Ancona et al. .... D19/77 X
- D. 329,876 9/1992 Breen ..... D19/75
- D. 340,071 10/1993 Sun ..... D19/77
- D. 367,889 3/1996 Chiu ..... D19/77
- 3,327,688 6/1967 Smith ..... 206/214

*Primary Examiner*—Martie Thompson  
*Attorney, Agent, or Firm*—Richard B. O'Planick; Lisa B. Riedesel

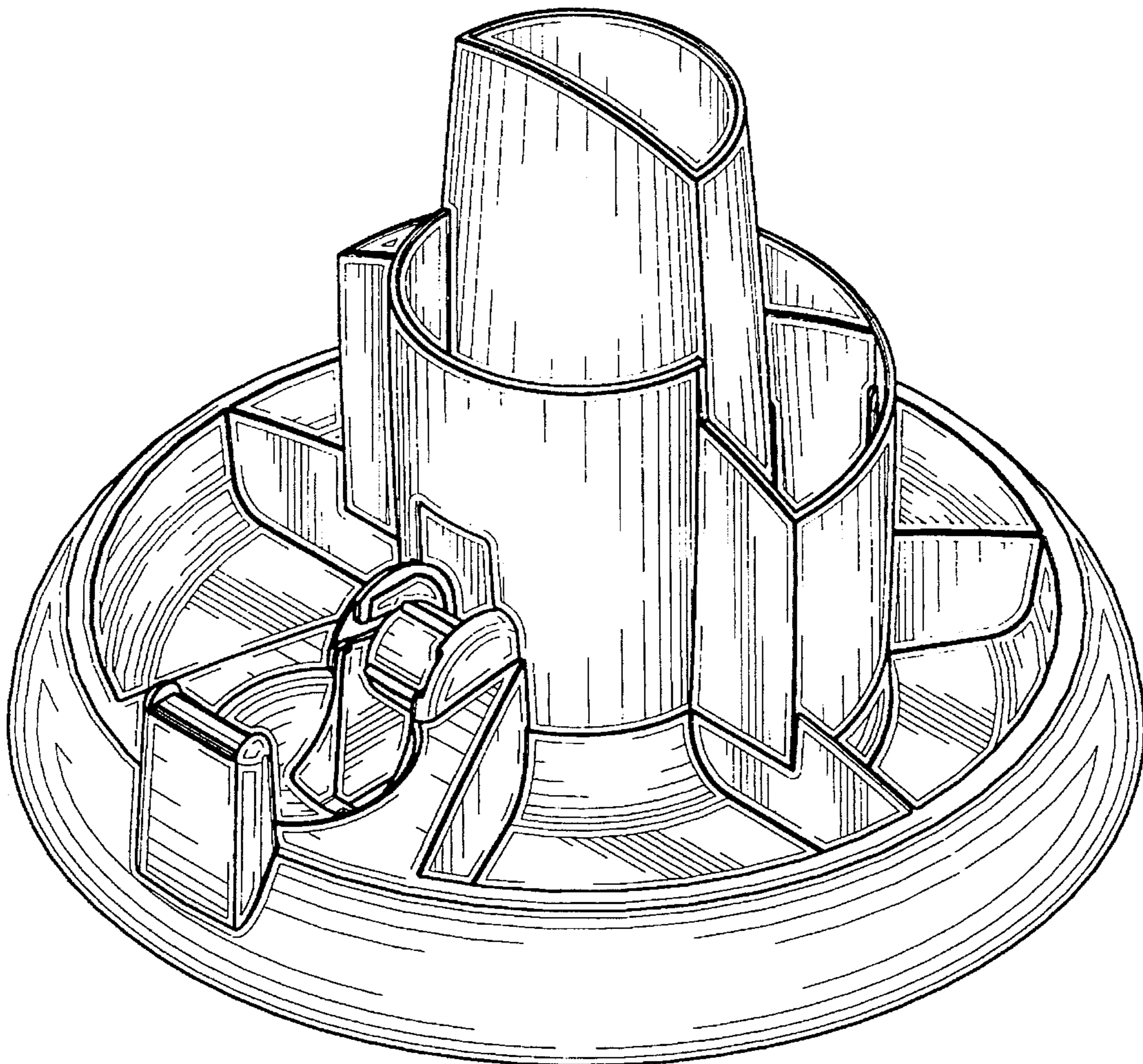
[57] **CLAIM**

The ornamental design for a rotary organizer, as shown and described.

**DESCRIPTION**

FIG. 1 is a top right front perspective view of a rotary organizer showing our new design; FIG. 2 is a front elevational view thereof; FIG. 3 is a right side elevational view thereof; the left side elevational view being a mirror image; FIG. 4 is a rear elevational view thereof; and, FIG. 5 is a top plan view thereof.

**1 Claim, 5 Drawing Sheets**



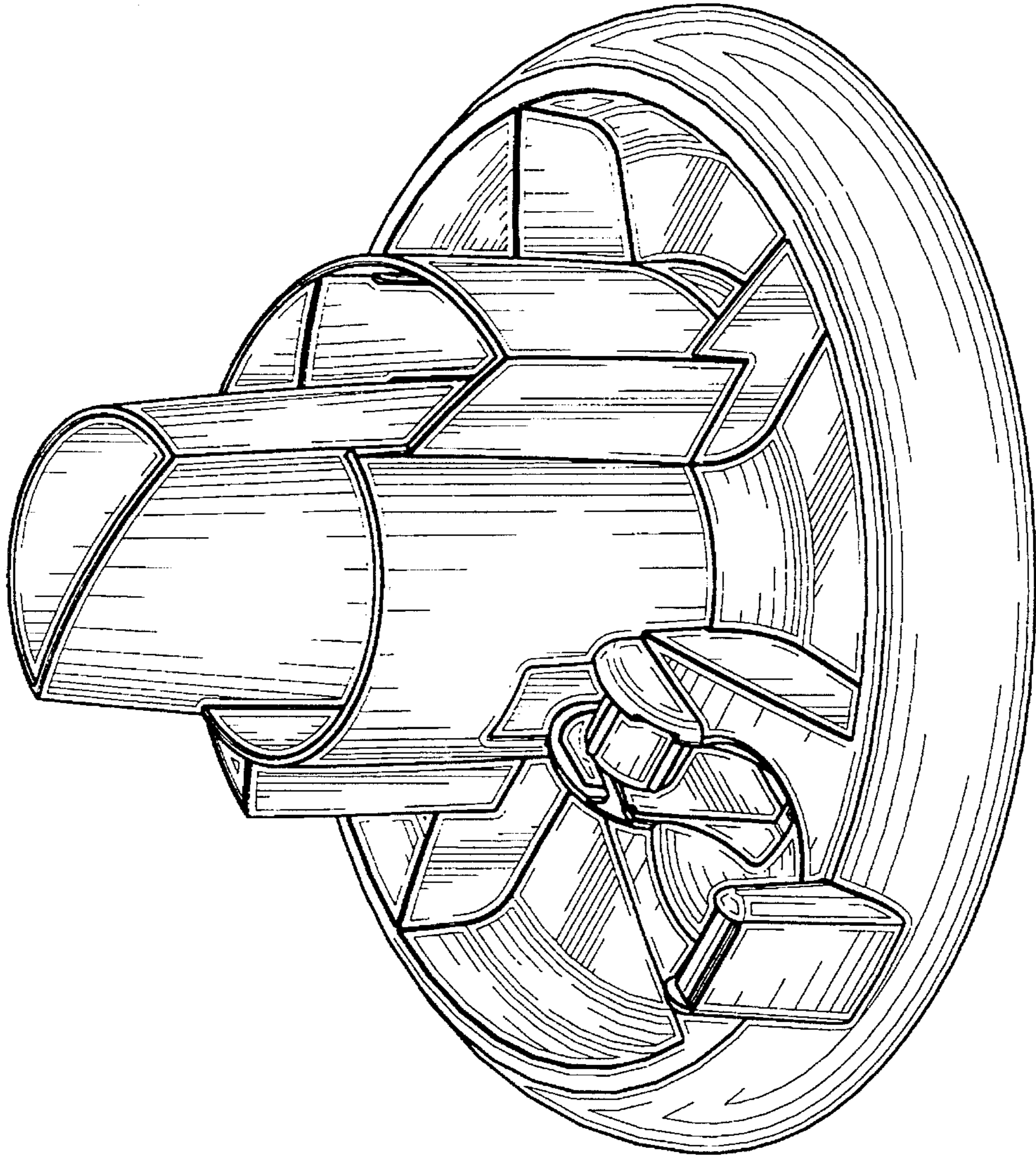


FIG. 1

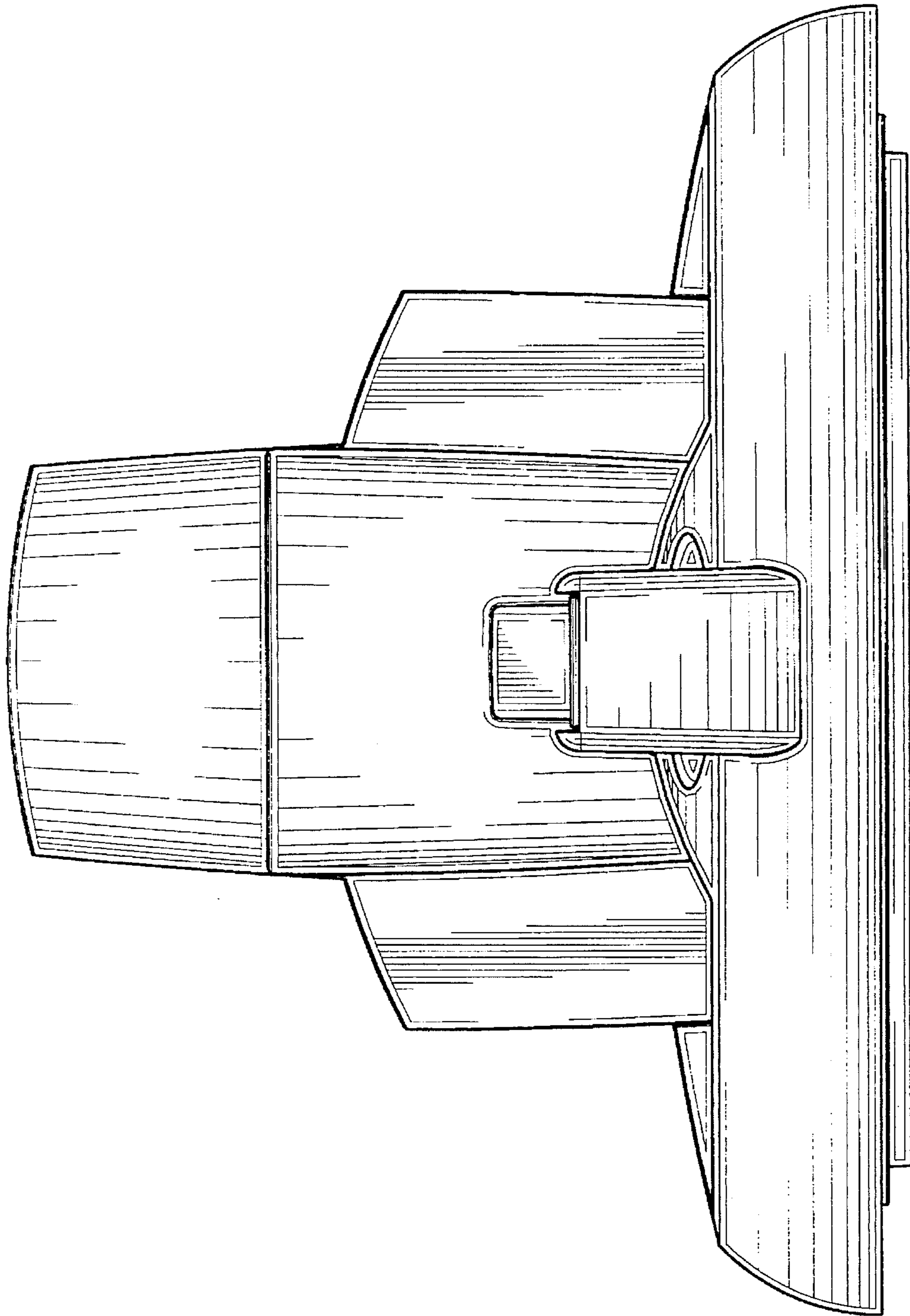


FIG. 2

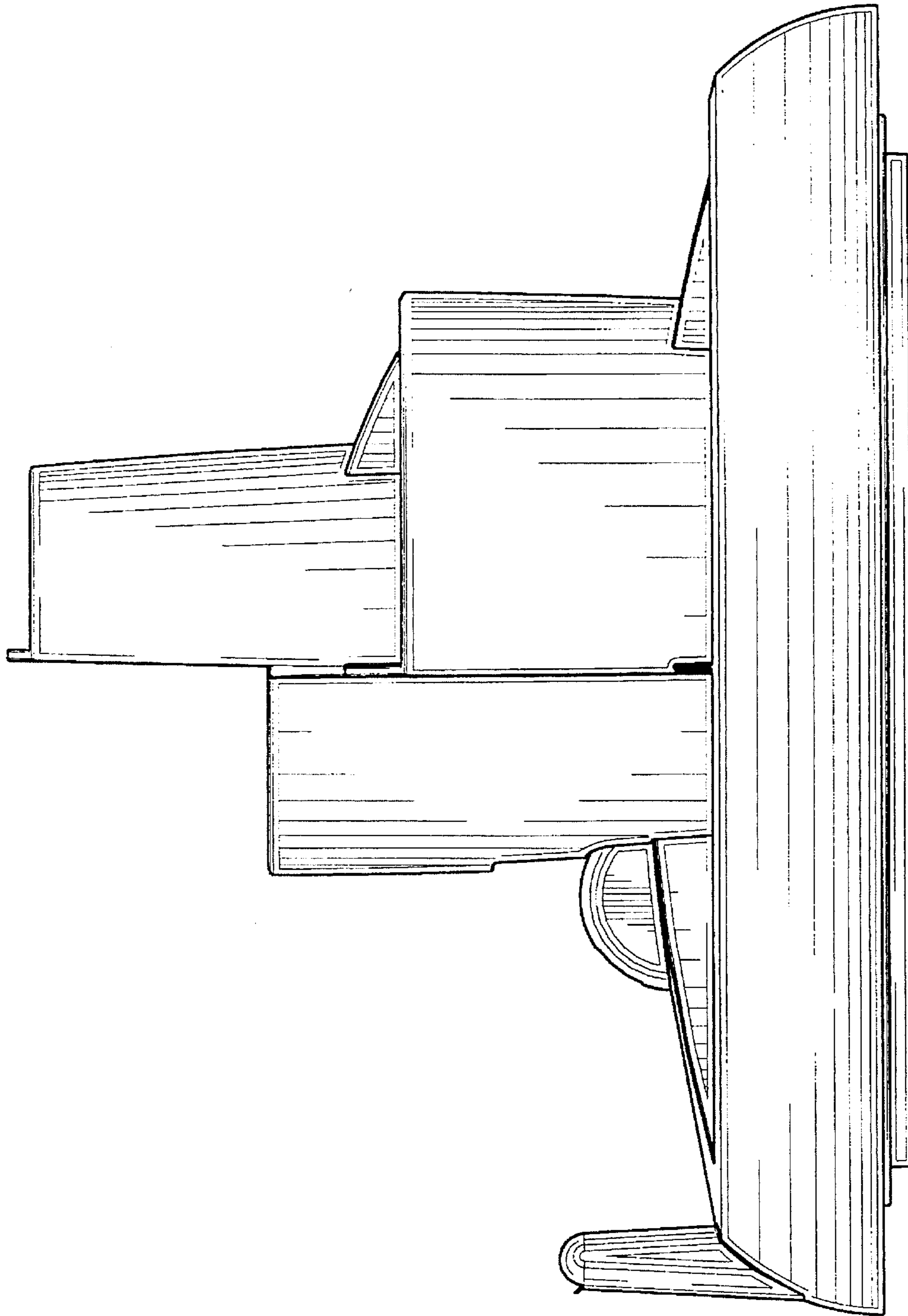


FIG. 3

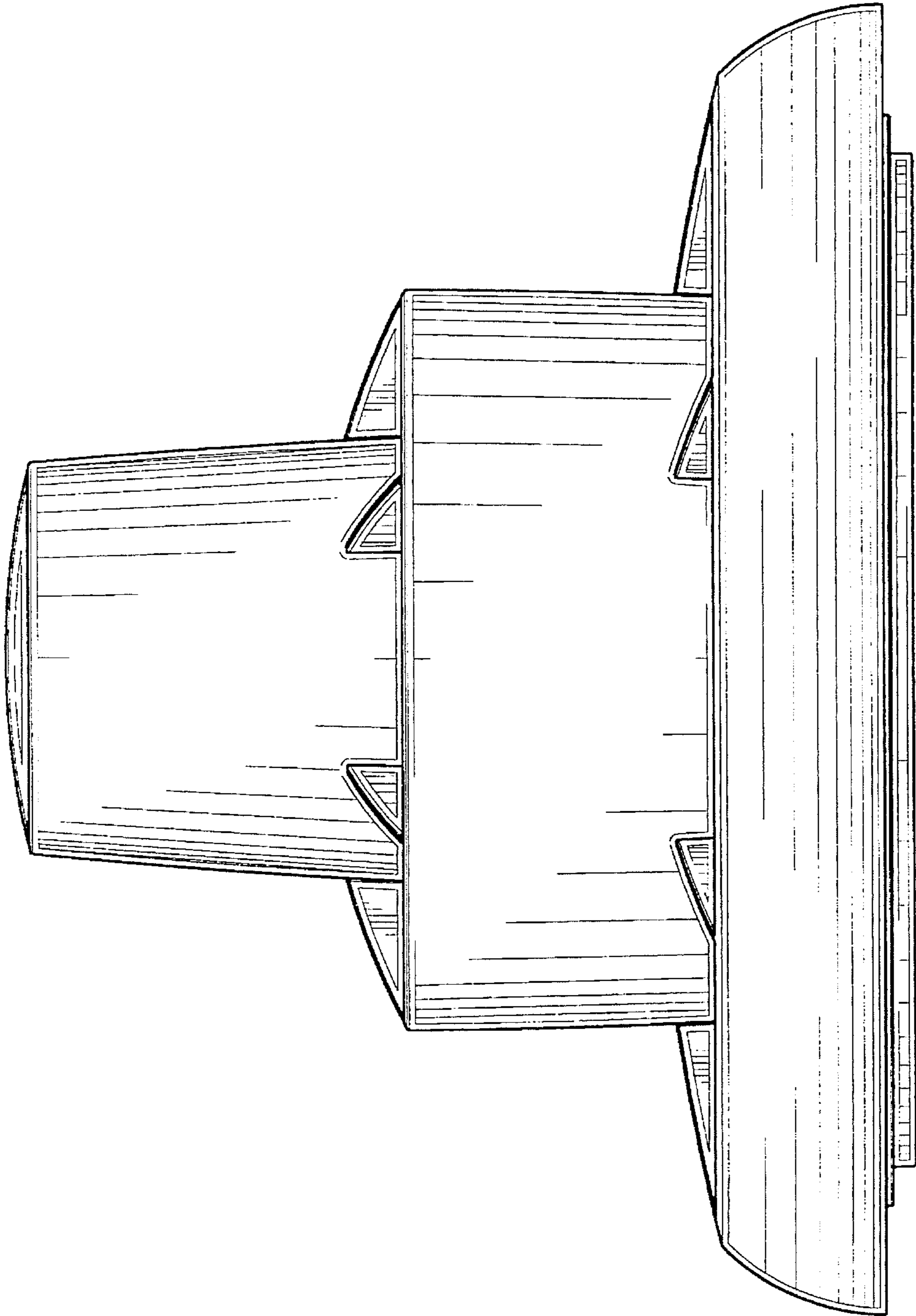


FIG. 4

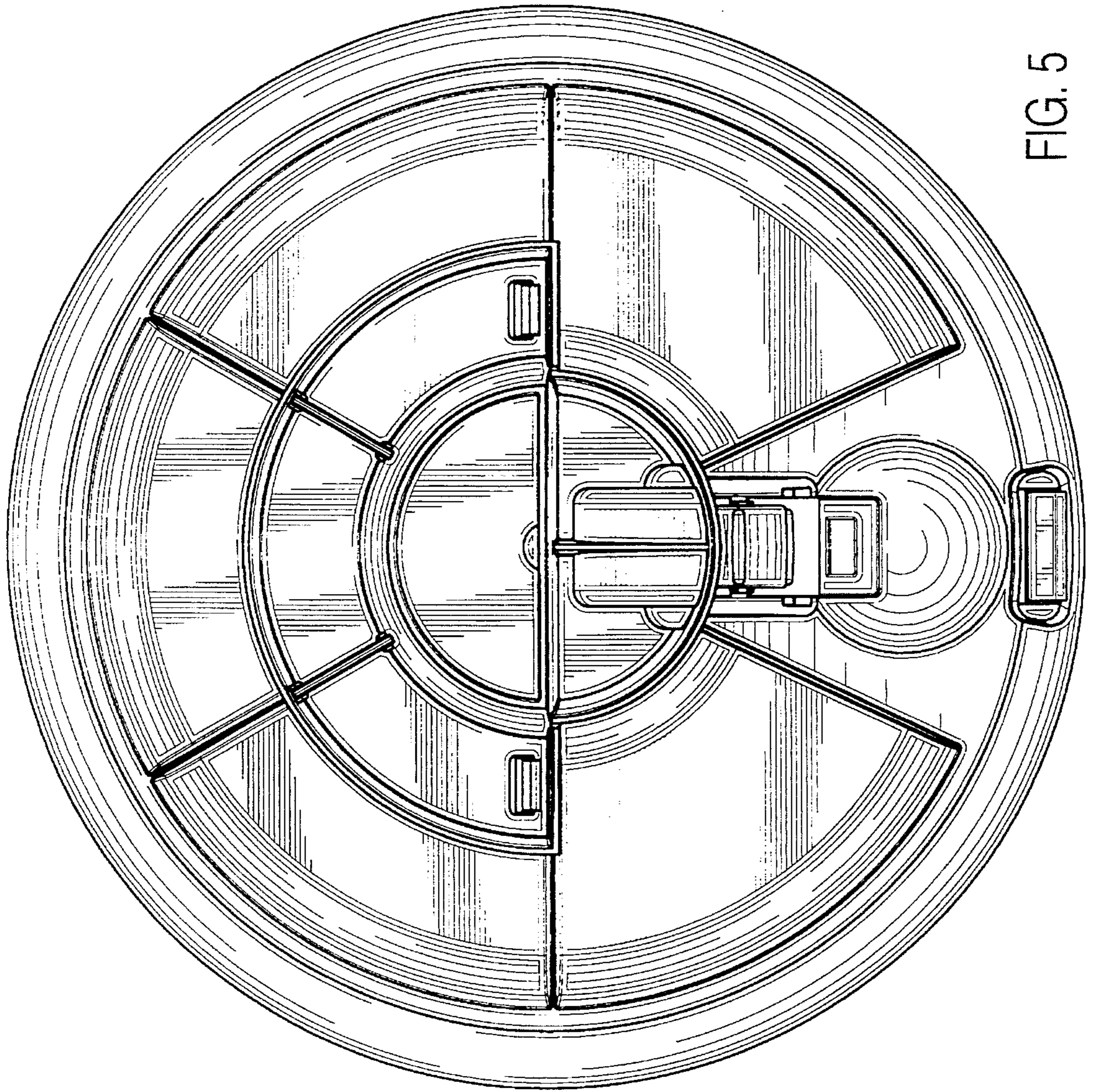


FIG. 5