



US00D377804S

United States Patent [19]
Beijen

[11] **Patent Number: Des. 377,804**

[45] **Date of Patent: **Feb. 4, 1997**

[54] **PAPER CUTTING PRESS**

[75] Inventor: **James H. Beijen**, Mountain Home, Ark.

[73] Assignee: **School Systems, Inc.**, Mountain Home, Ark.

[**] Term: **14 Years**

[21] Appl. No.: **51,119**

[22] Filed: **Mar. 4, 1996**

[52] **U.S. Cl.** **D18/34; 83/633**

[58] **Field of Search** **D18/34, 99, 68, D18/72, 86, 100, 99; D24/220; 221/222; 83/566, 571, 613, 633, 911**

[56] **References Cited**

U.S. PATENT DOCUMENTS

D. 196,726	10/1963	Bull	D24/220
386,459	7/1888	Entrekin	83/566
5,172,622	12/1992	Sabin	83/633 X
5,255,587	10/1993	Eichenberg et al.	83/633 X

Primary Examiner—Louis S. Zarfes
Assistant Examiner—Frank Martinez
Attorney, Agent, or Firm—Stephen D. Carver; Trent C. Keisling

[57] **CLAIM**

The ornamental design for a paper cutting press, as shown and described.

DESCRIPTION

FIG. 1 is a frontal isometric view of my paper cutting press; FIG. 2 is a rear isometric view thereof; FIG. 3 is a side elevational view thereof, the opposite side comprising a mirror image; FIG. 4 is a top plan view thereof; FIG. 5 is a bottom plan view; FIG. 6 is an end view thereof, taken generally from the right of FIG. 1; and, FIG. 7 is a view of the opposite end, taken from a position generally to the left of FIG. 2.

1 Claim, 3 Drawing Sheets

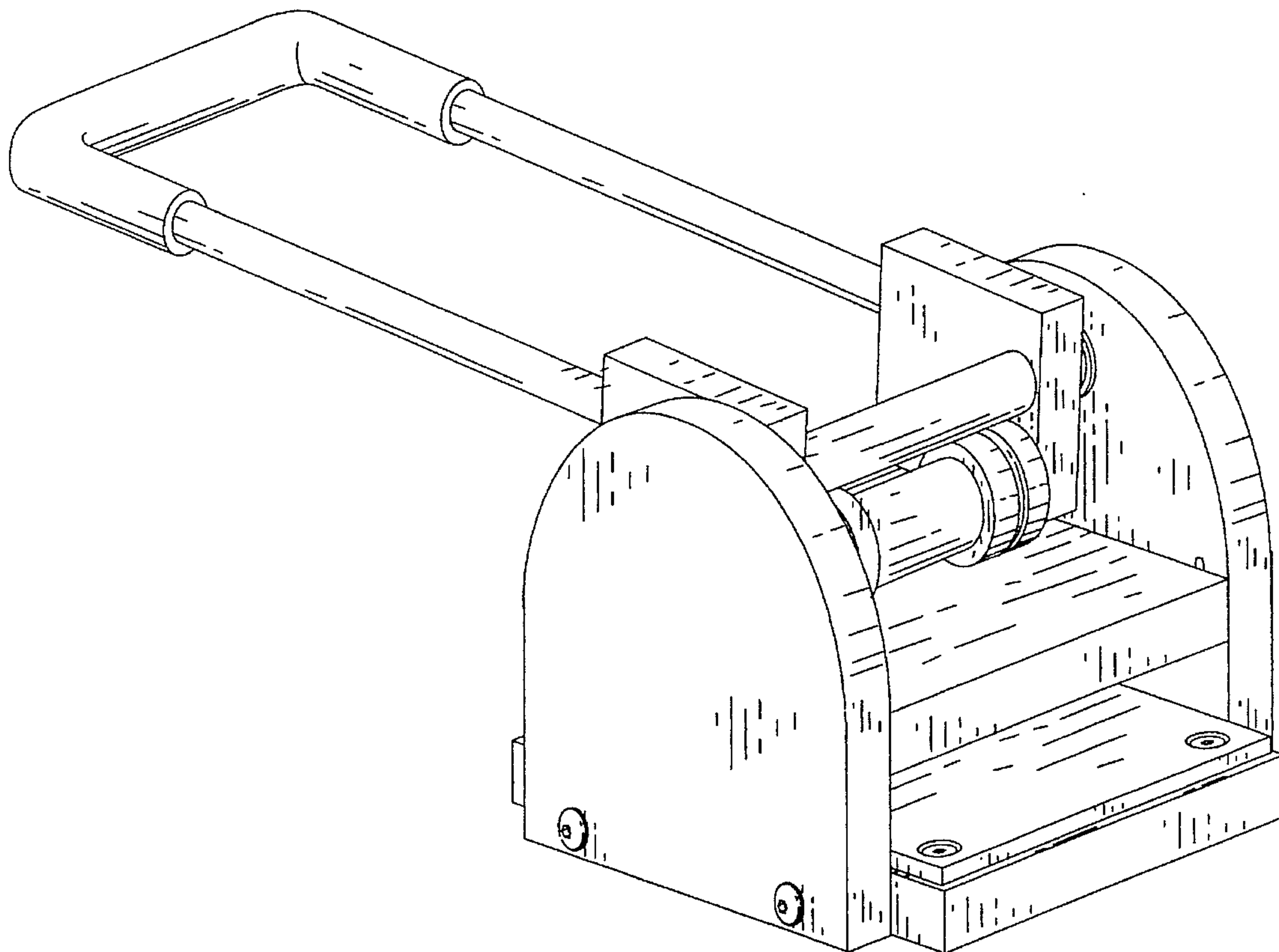


FIG. 1

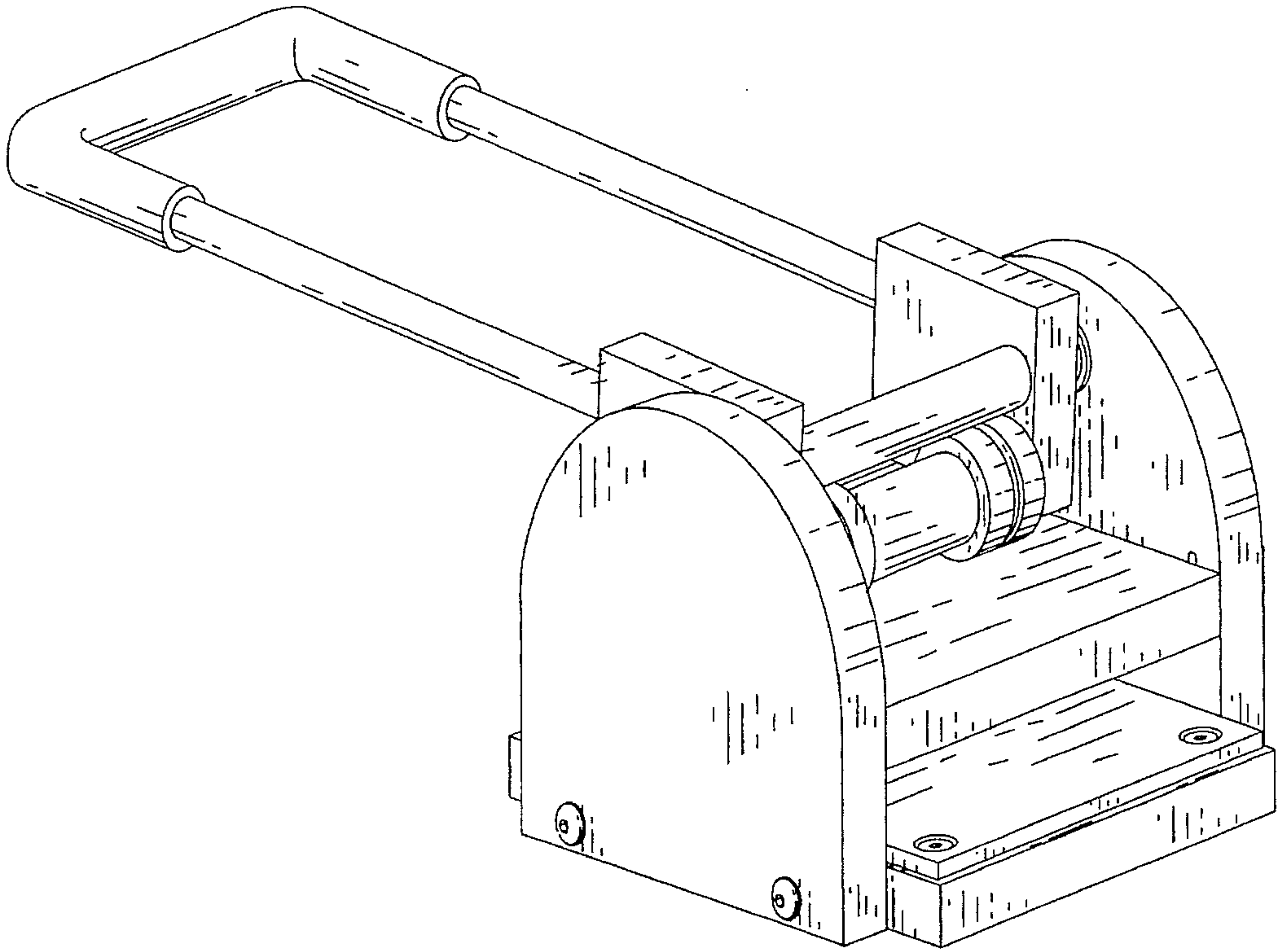


FIG. 2

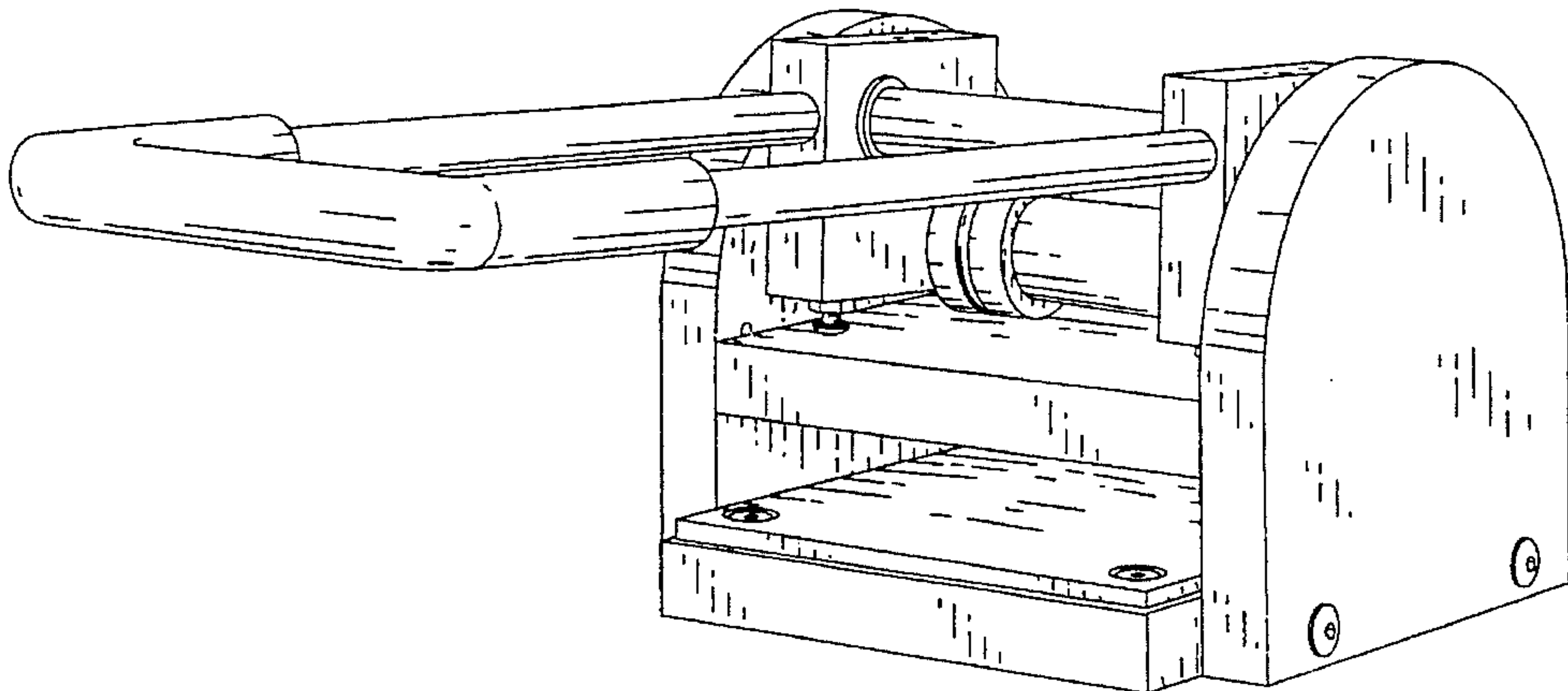


FIG. 3

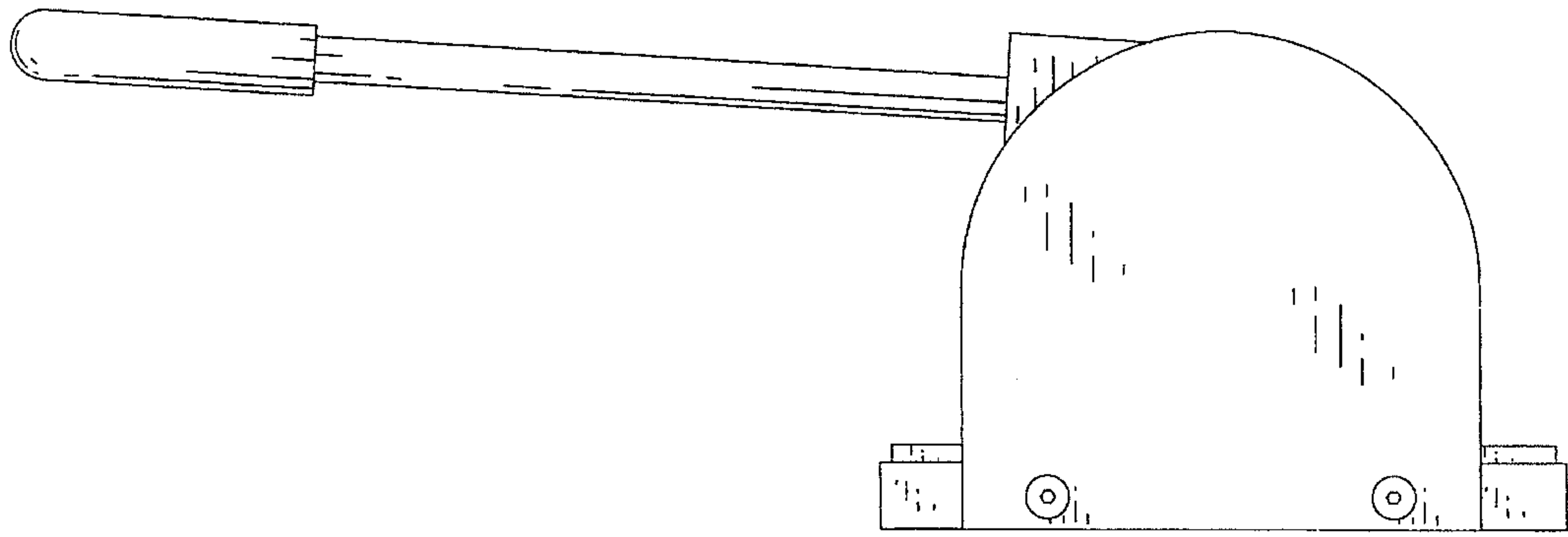


FIG. 4

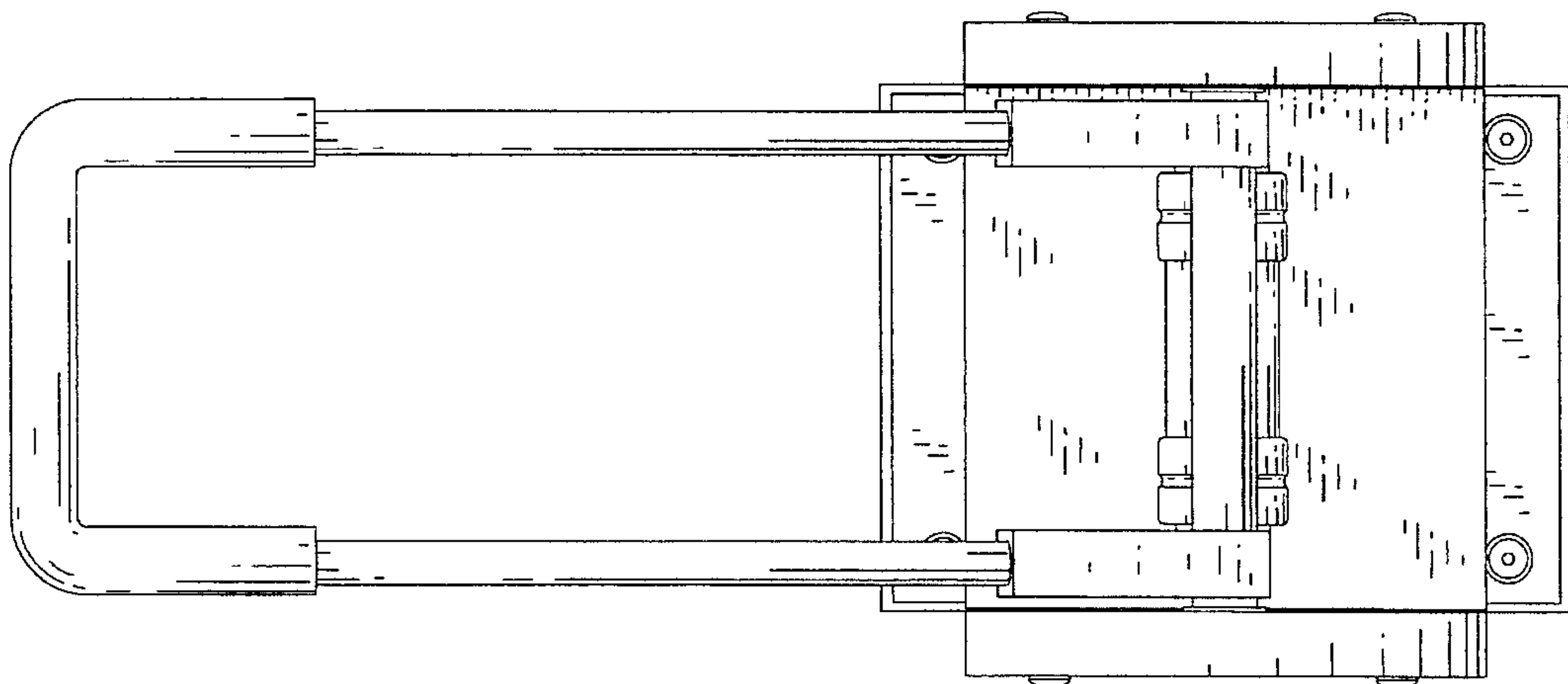


FIG. 5

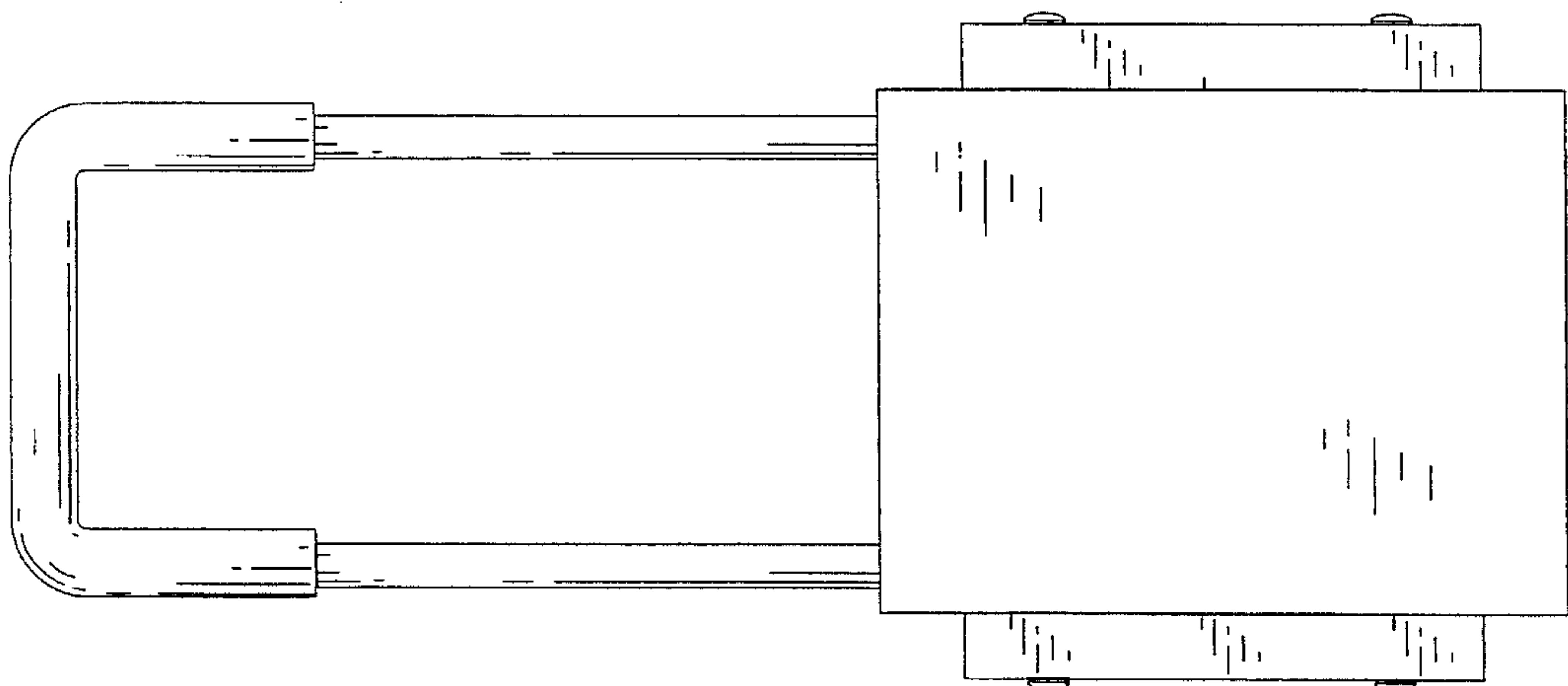


FIG. 6

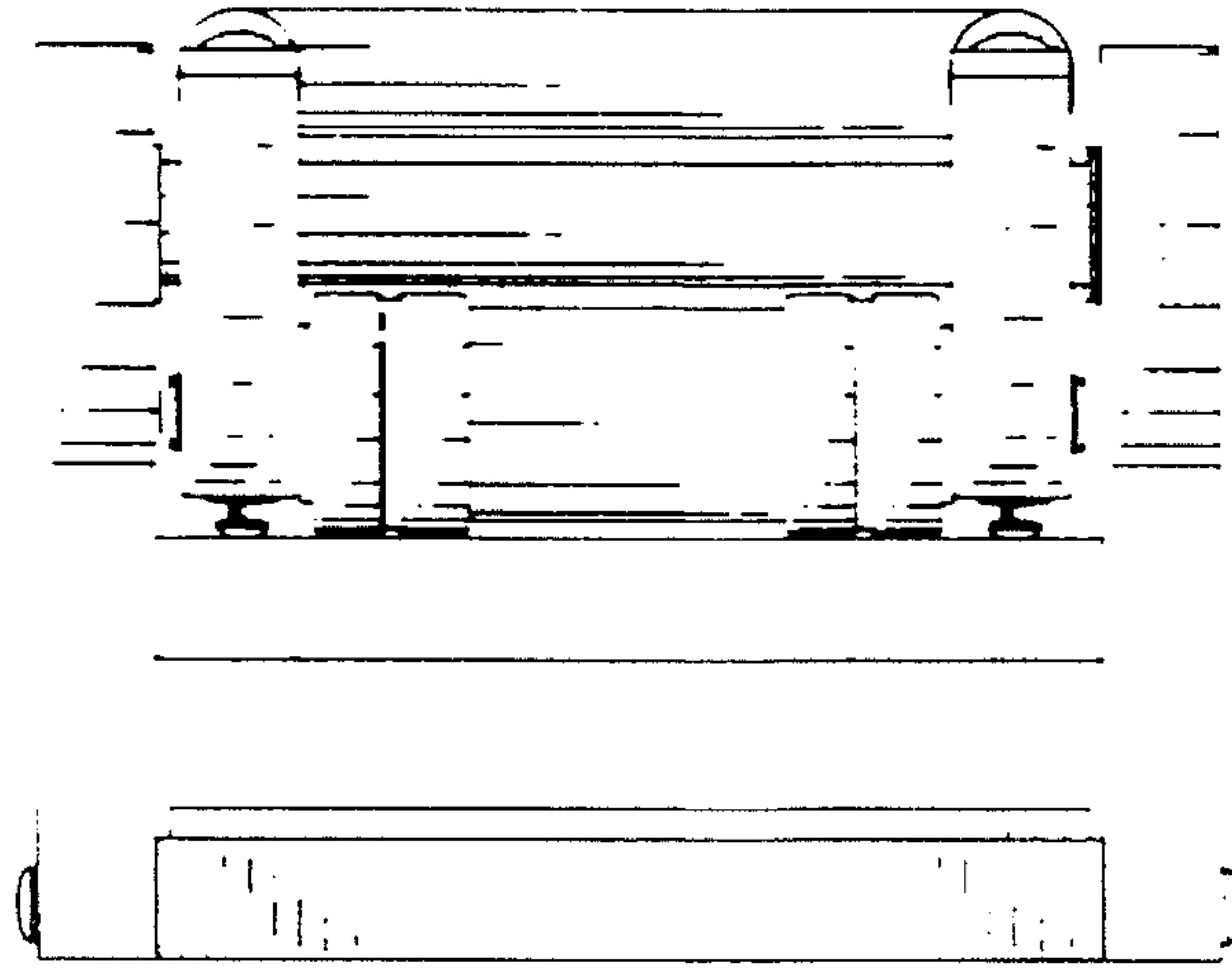


FIG. 7

