



US00D377802S

United States Patent [19]
Leonardi

[11] **Patent Number: Des. 377,802**

[45] **Date of Patent: **Feb. 4, 1997**

[54] **SPORTS EYEWEAR**

D. 366,056 1/1996 Wolfe D16/314
4,515,448 5/1985 Tackles 351/44

[75] Inventor: **Peter F. Leonardi**, Gloversville, N.Y.

[73] Assignee: **Halo Sports and Safety, Inc.**,
Gloversville, N.Y.

Primary Examiner—Raphael Barkai
Attorney, Agent, or Firm—Roylance, Abrams, Berdo &
Goodman, L.L.P.

[**] Term: **14 Years**

[57] **CLAIM**

[21] Appl. No.: **51,323**

The ornamental design for sports eyewear, as shown and described.

[22] Filed: **Jan. 26, 1996**

DESCRIPTION

[52] **U.S. Cl.** **D16/313**; D16/314

[58] **Field of Search** D16/101, 300,
D16/304, 306, 309, 311–330, 335, 341;
D29/110; 351/41, 44, 51–52, 62, 83, 103,
111, 118–119, 158; 2/428, 430, 432, 436,
437, 447, 448

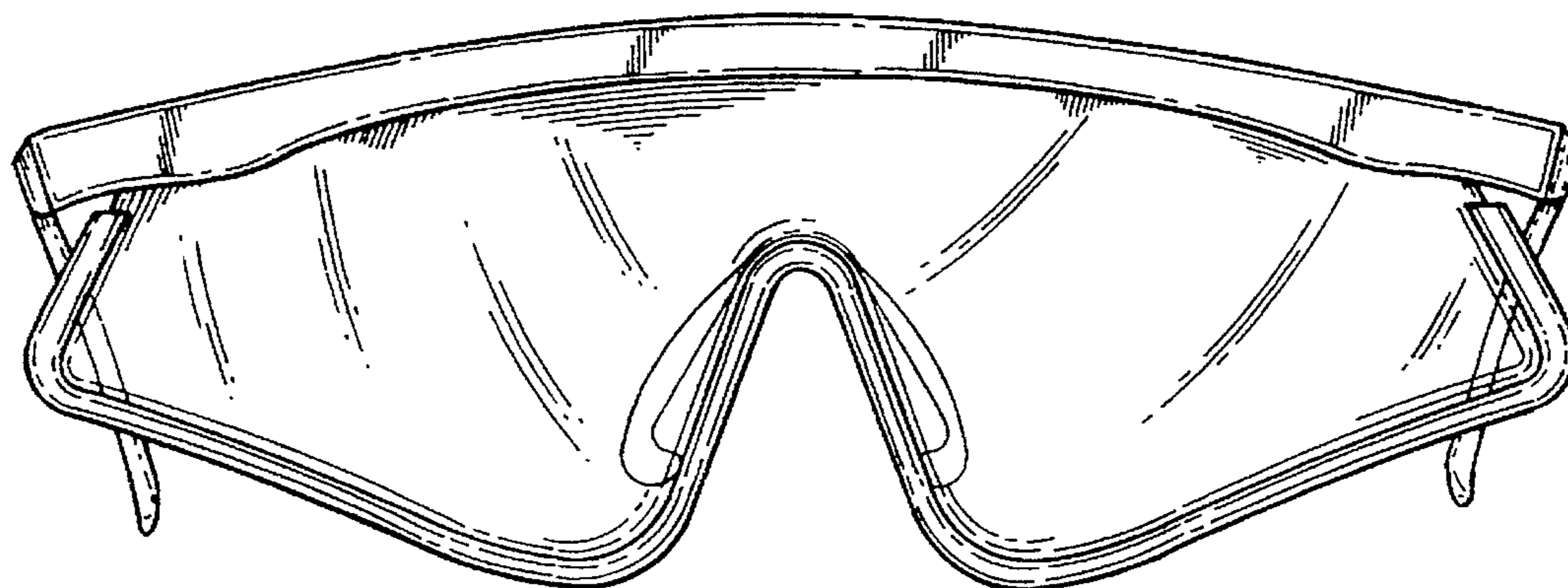
FIG. 1 is a front perspective view illustrating sports eyewear in accordance with my new design;
FIG. 2 is a front elevational view of the sports eyewear shown in FIG. 1;
FIG. 3 is a right side elevational view of the sports eyewear shown in FIGS. 1 and 2;
FIG. 4 is a left side elevational view of the sports eyewear shown in FIGS. 1–3;
FIG. 5 is a rear perspective view of the sports eyewear as shown in FIGS. 1–4;
FIG. 6 is a rear elevational view of the sports eyewear as shown in FIGS. 1–5;
FIG. 7 is a top plan view of the sports eyewear shown in FIGS. 1–6; and,
FIG. 8 is a bottom plan view of the sports eyewear as shown in FIGS. 1–7.

[56] **References Cited**

U.S. PATENT DOCUMENTS

D. 285,020	8/1986	Schmidthaler	D16/313
D. 289,301	4/1987	Jannard	D16/314
D. 293,450	12/1987	Jannard	D16/314
D. 321,703	11/1991	Grau	D16/313
D. 323,515	1/1992	Arbez	D16/313
D. 325,040	3/1992	Jannard	D16/314
D. 334,391	3/1993	Wilson	D16/314
D. 344,742	3/1994	Jannard	D16/314
D. 357,268	4/1995	Iida	D16/314

1 Claim, 4 Drawing Sheets



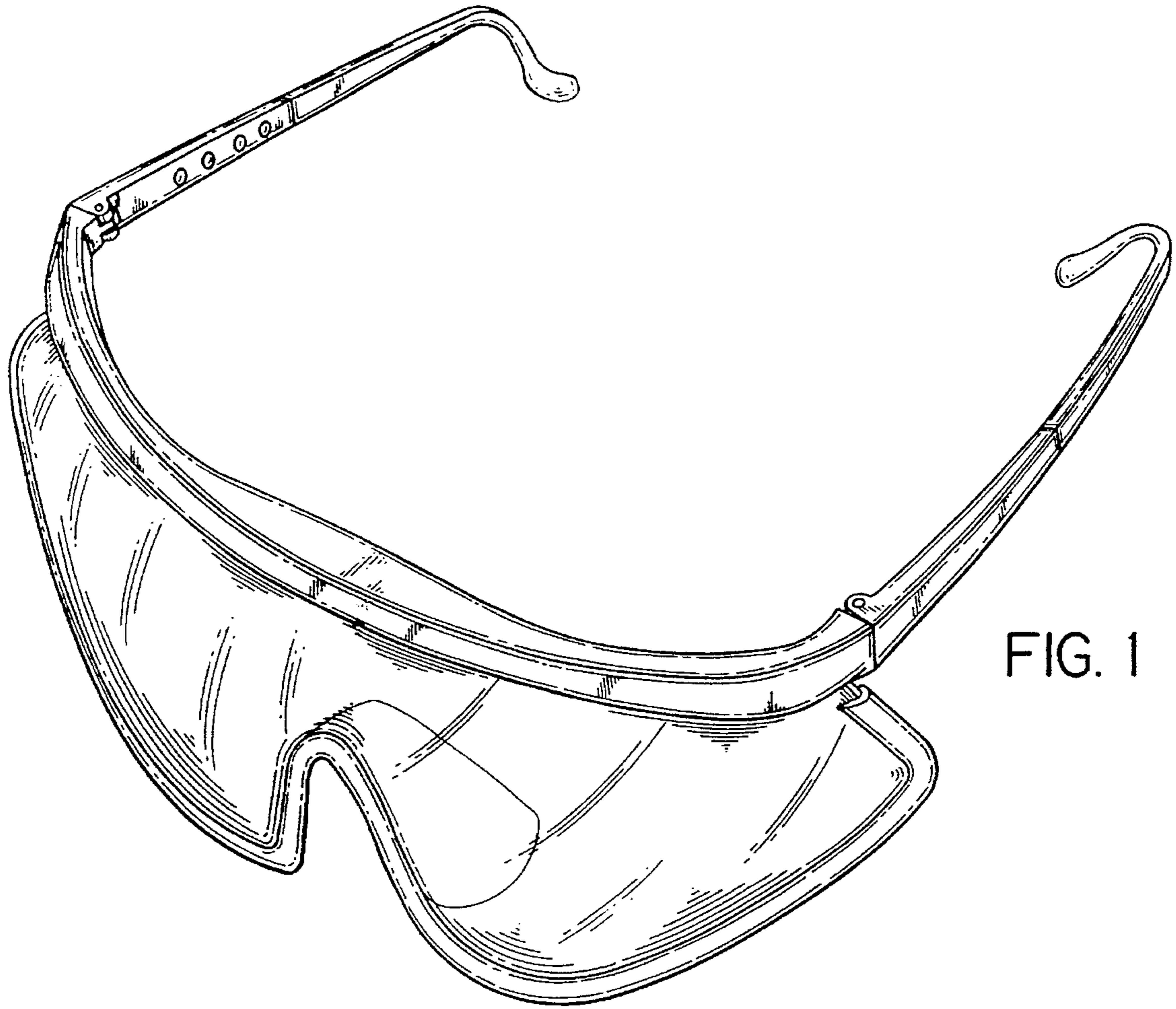


FIG. 1

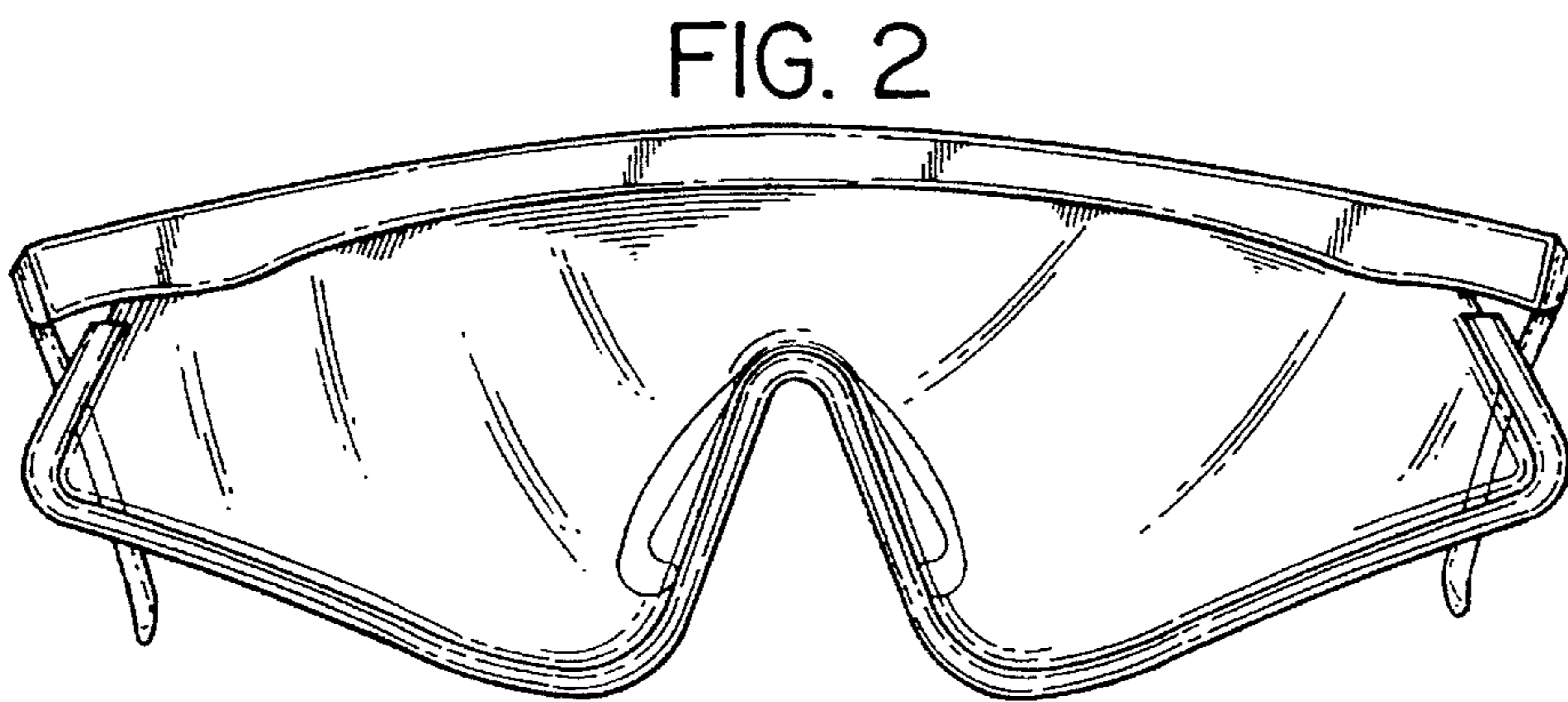


FIG. 2

FIG. 3

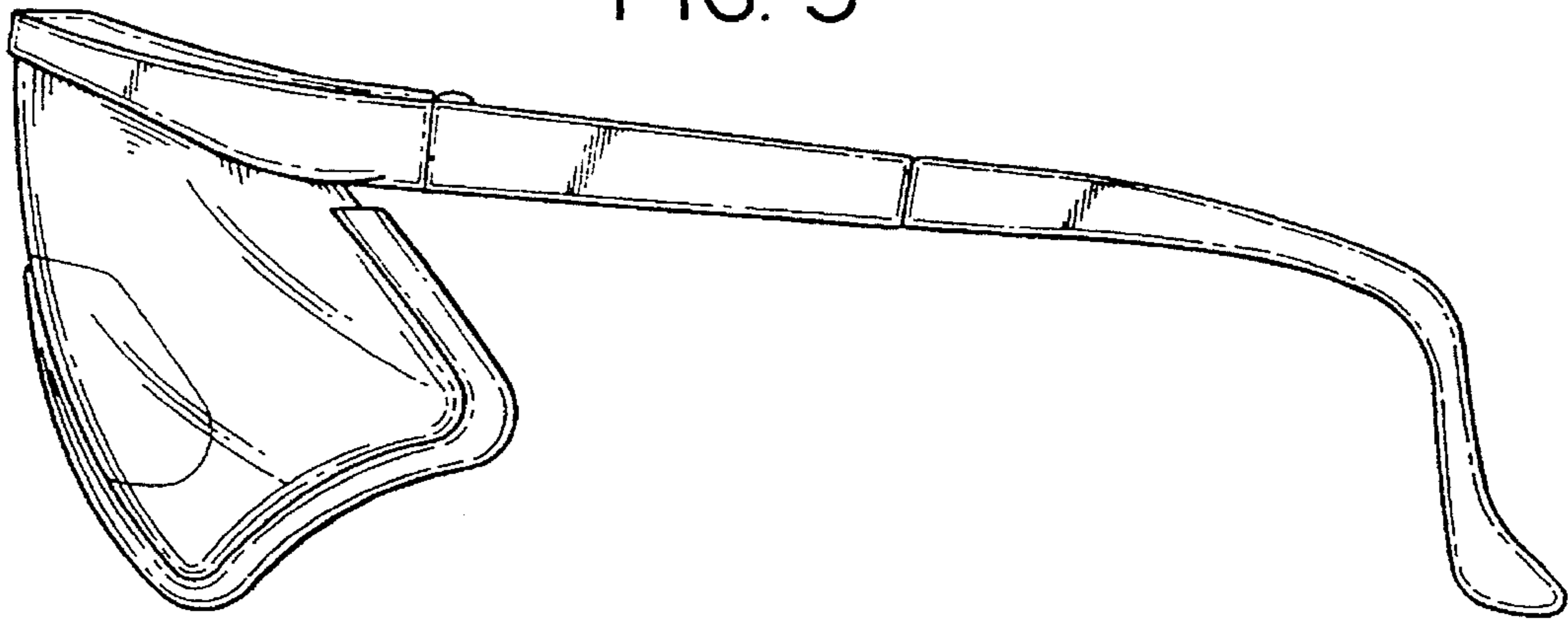
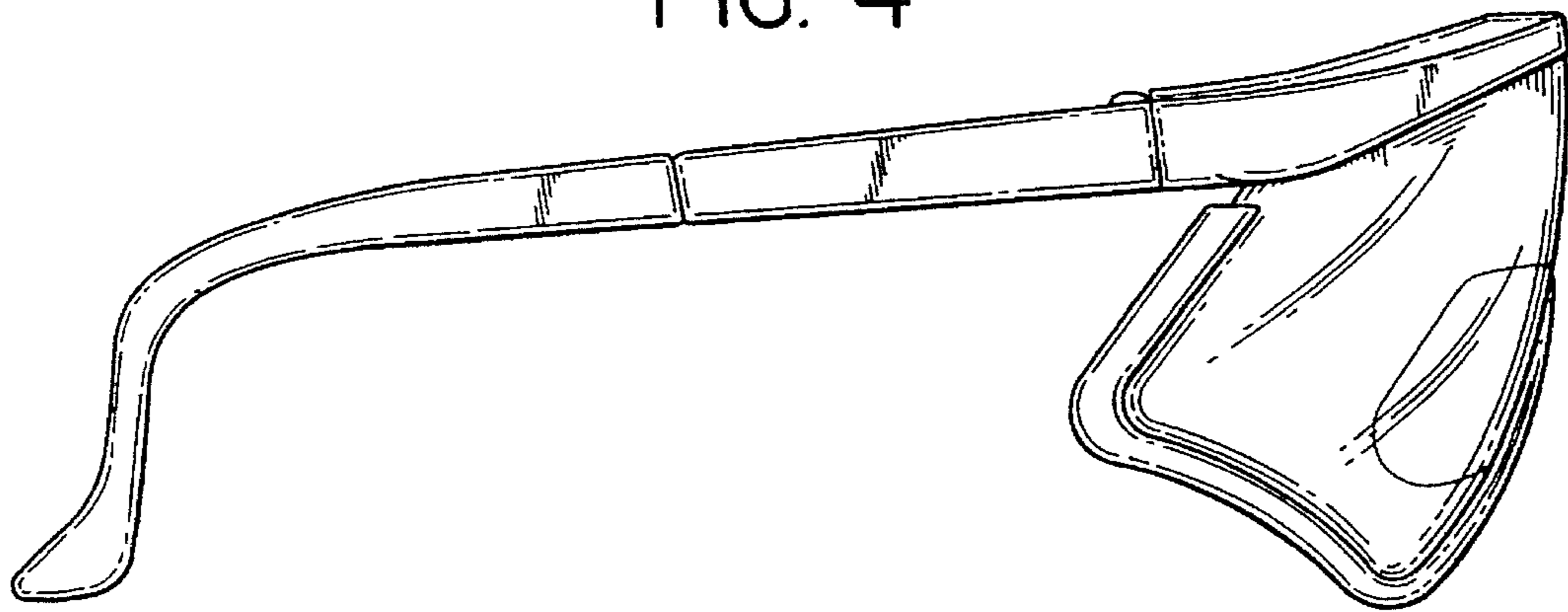


FIG. 4



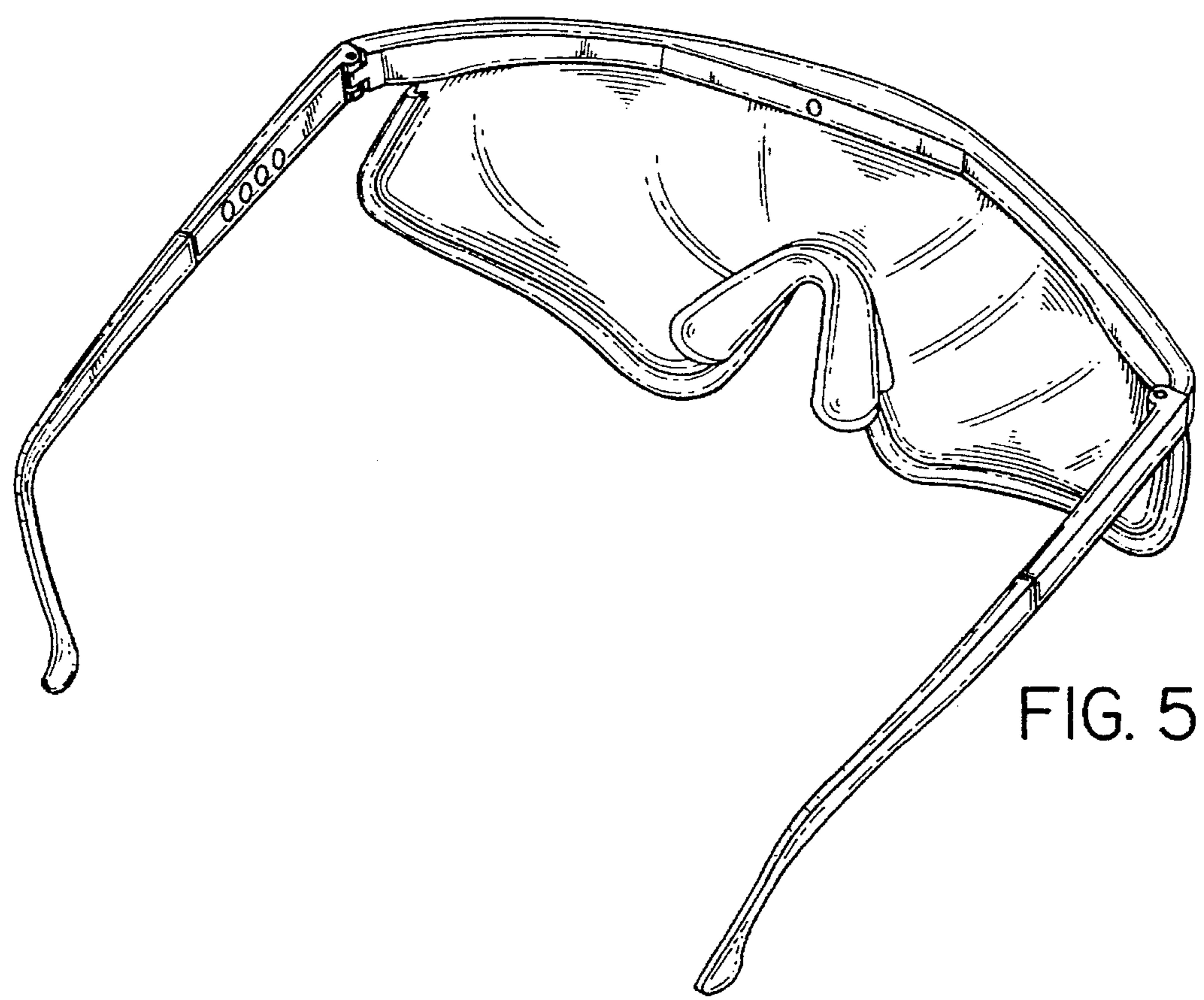
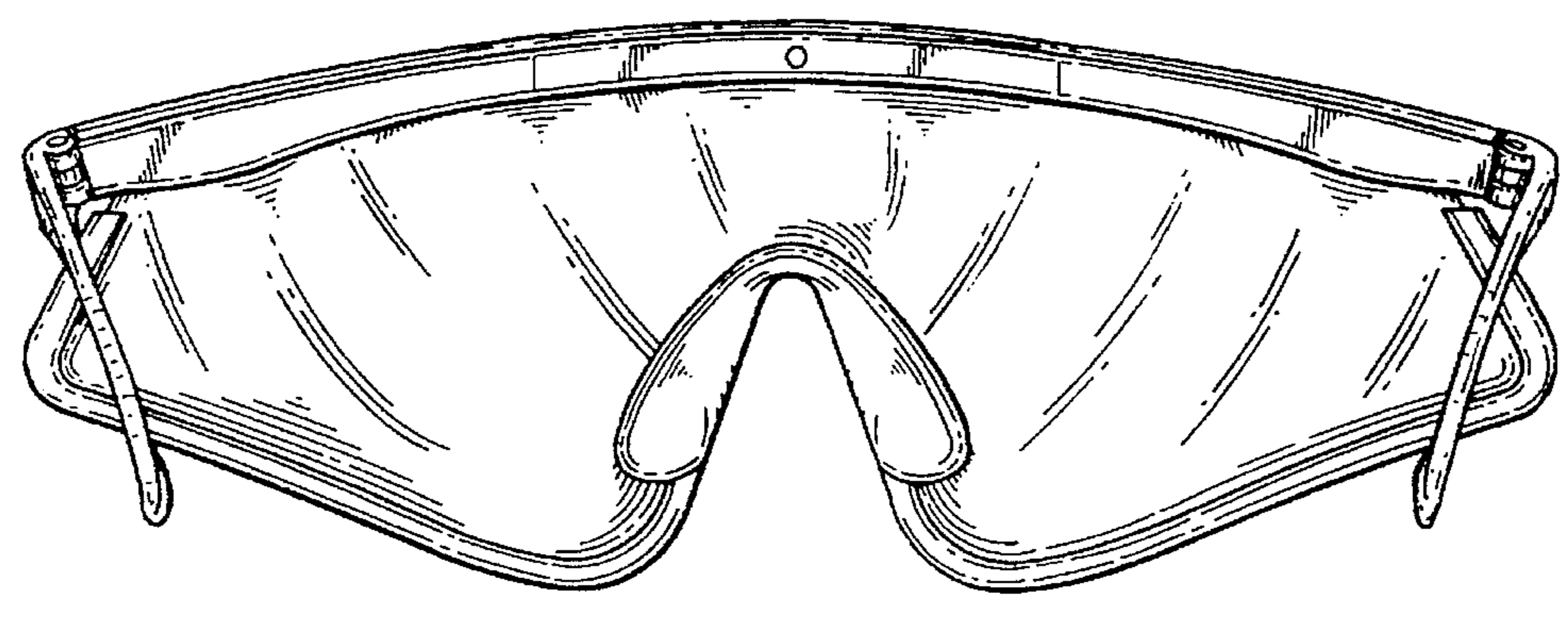


FIG. 5

FIG. 6



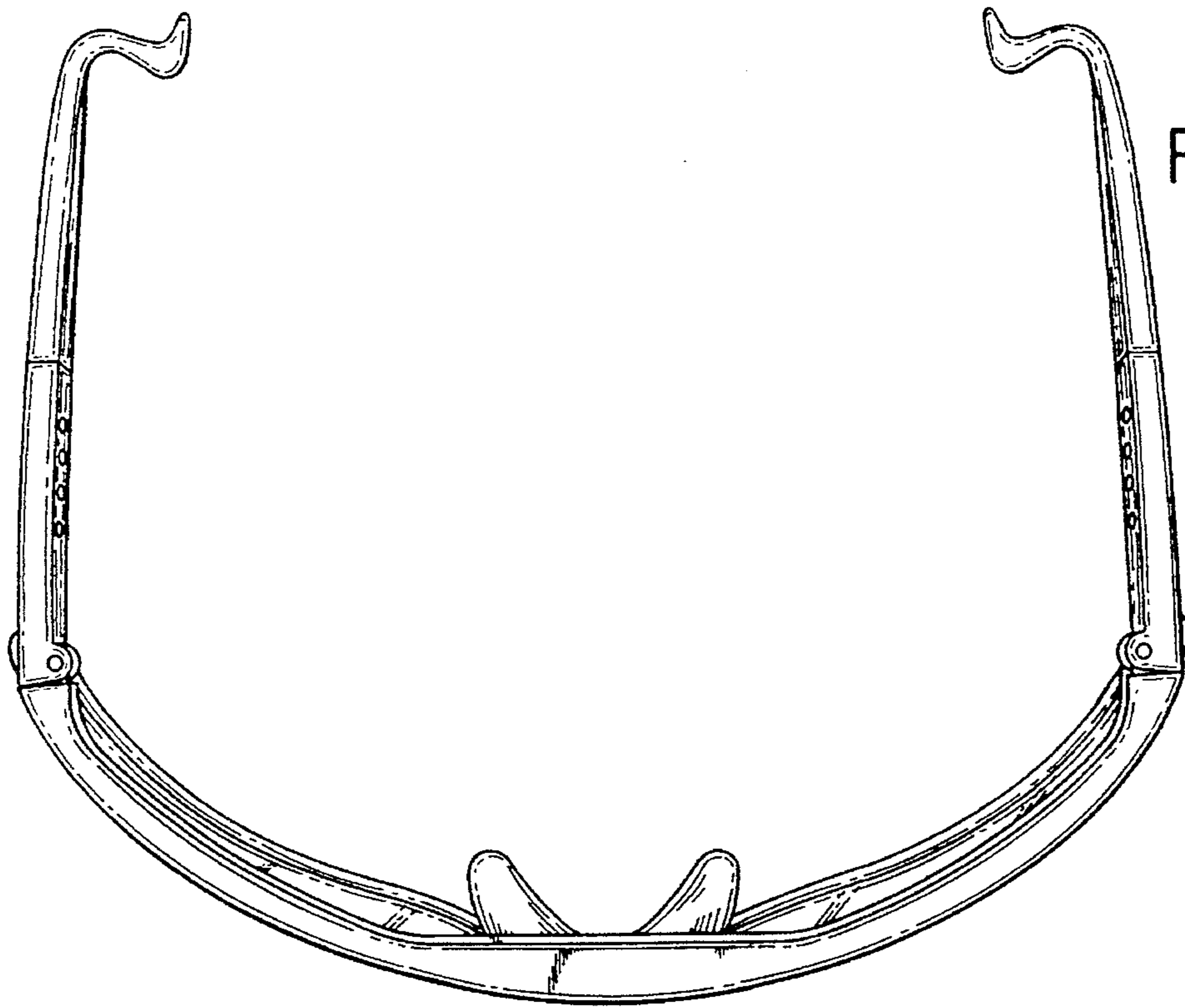


FIG. 7

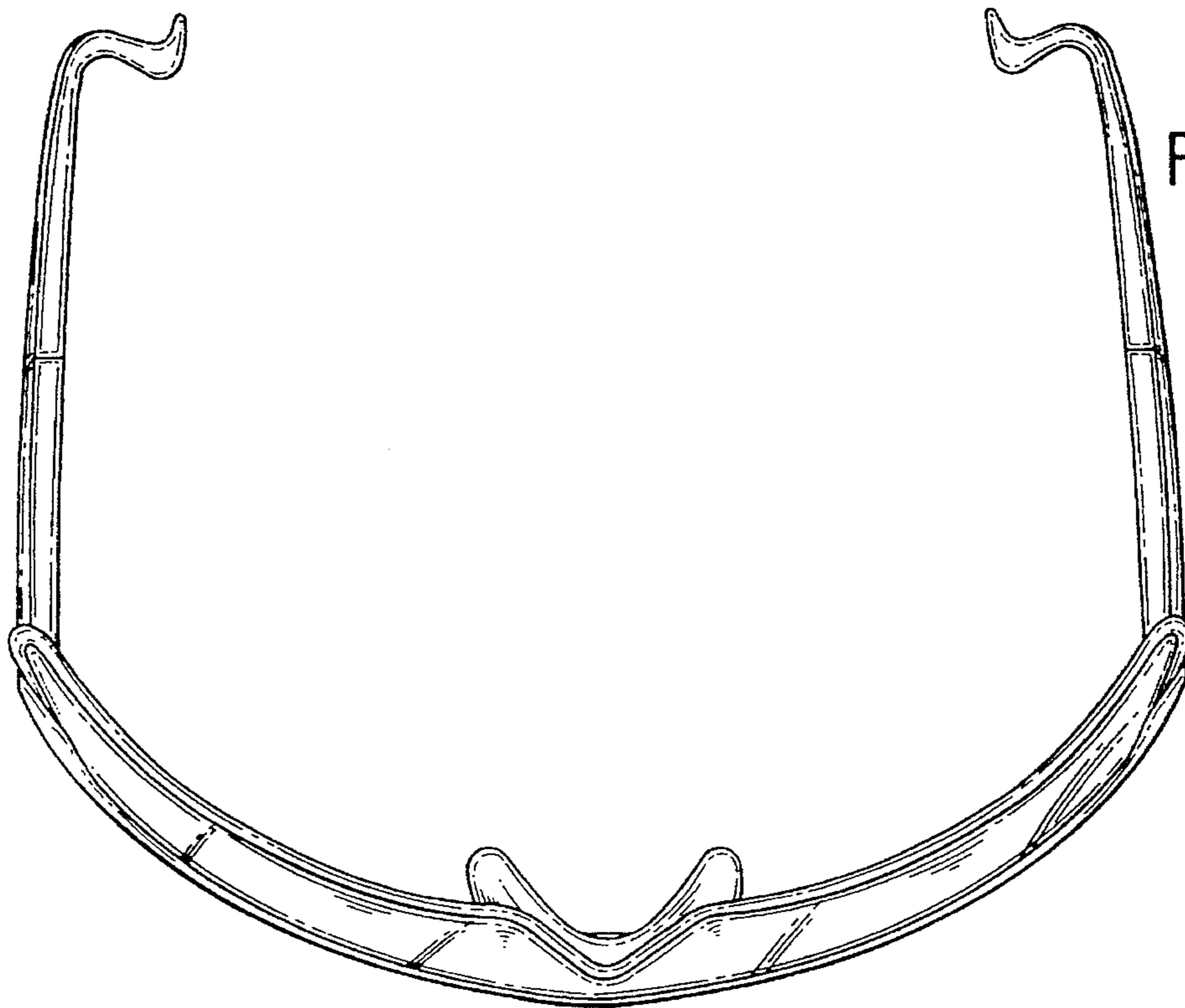


FIG. 8