



US00D377799S

# United States Patent [19]

Kruzel et al.

[11] Patent Number: **Des. 377,799**

[45] Date of Patent: **\*\*Feb. 4, 1997**

[54] **CONSUMER PISTON PAINT PUMP**

D. 338,208	8/1993	Reents et al.	.....	D15/9
D. 340,727	10/1993	Anderson et al.	.....	D15/9
5,071,278	12/1991	Chen	.....	401/146

[75] Inventors: **Thomas F. Kruzel**, Maple Grove;  
**Andrew L. Von Duyke**, Minnetonka,  
both of Minn.

*Primary Examiner*—Ralf Seifert  
*Attorney, Agent, or Firm*—Faegre & Benson

[73] Assignee: **Wagner Spray Tech Corporation**,  
Minneapolis, Minn.

[57] **CLAIM**

[\*\*] Term: **14 Years**

The ornamental design for a consumer piston paint pump, as shown.

[21] Appl. No.: **49,812**

### DESCRIPTION

[22] Filed: **Feb. 20, 1996**

[52] U.S. Cl. .... **D15/7**

[58] Field of Search ..... D15/7-9.2; 366/605;  
417/234, 572; 401/41, 48, 146, 197, 203-204

FIG. 1 is a perspective view of a consumer piston paint pump showing our new design;

FIG. 2 is a left side elevation view thereof;

FIG. 3 is a right side elevation view thereof;

FIG. 4 is a front elevation view thereof;

FIG. 5 is a rear elevation view thereof;

FIG. 6 is a top view of the apparatus thereof; and,

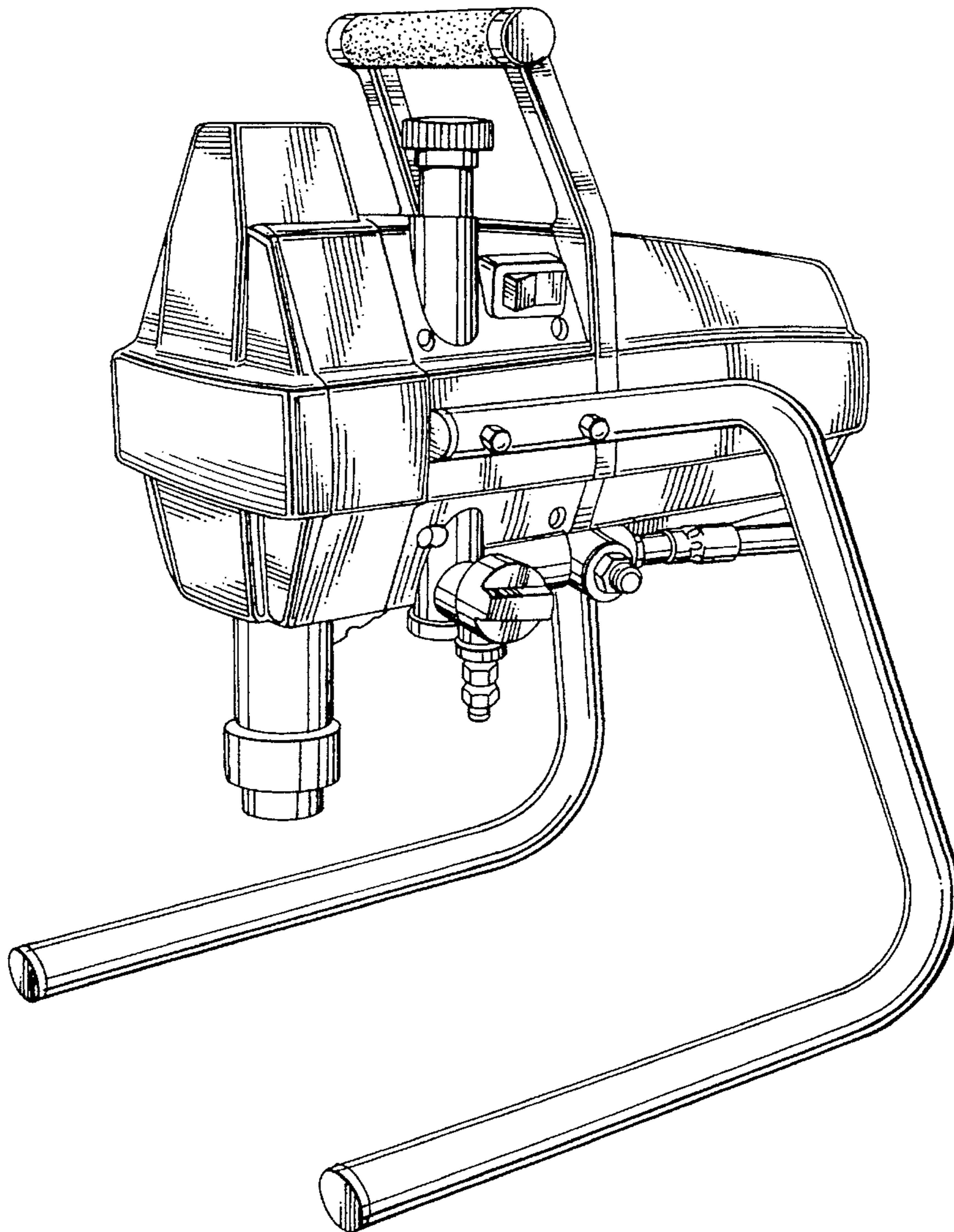
FIG. 7 is a bottom view of the apparatus thereof.

### [56] References Cited

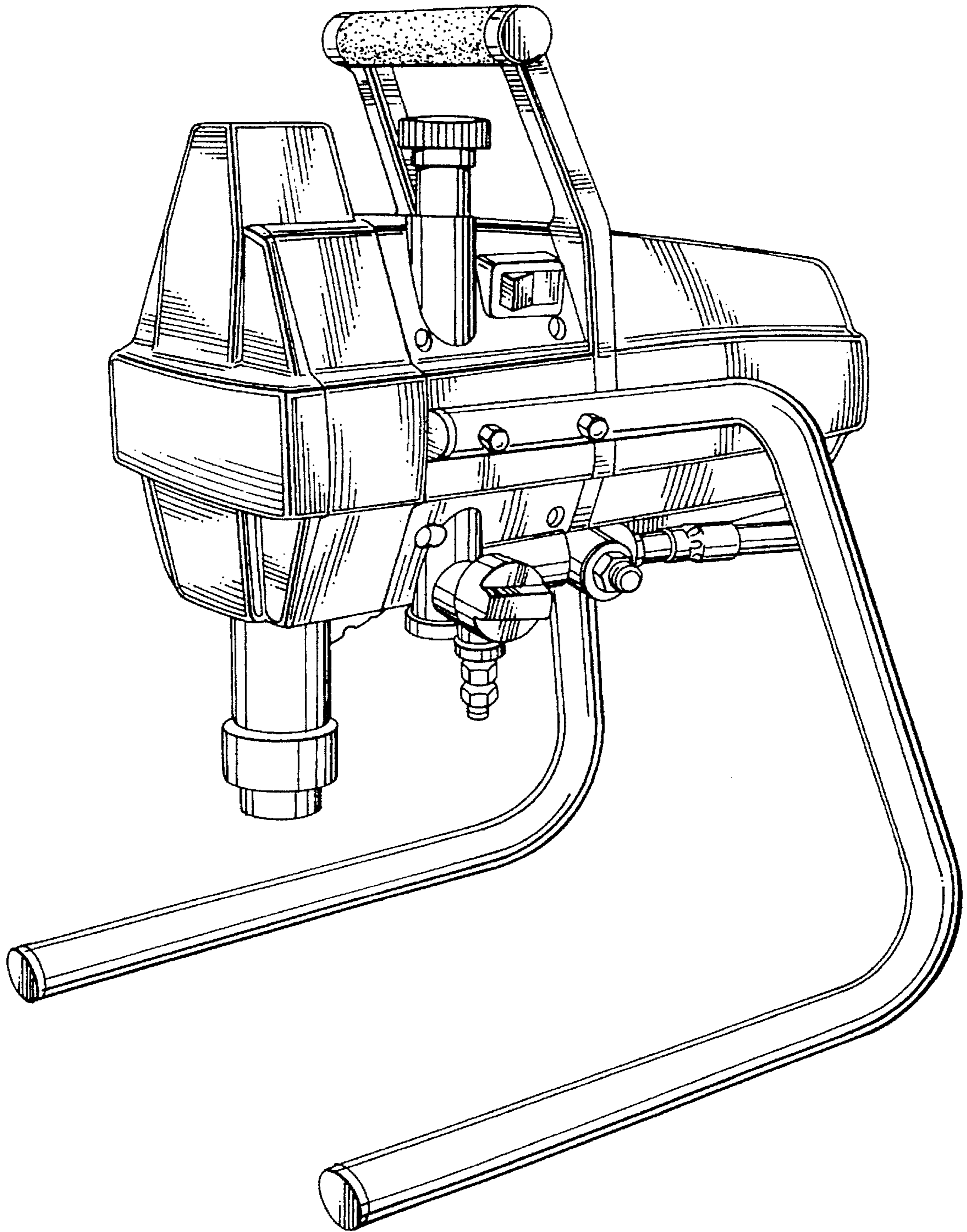
#### U.S. PATENT DOCUMENTS

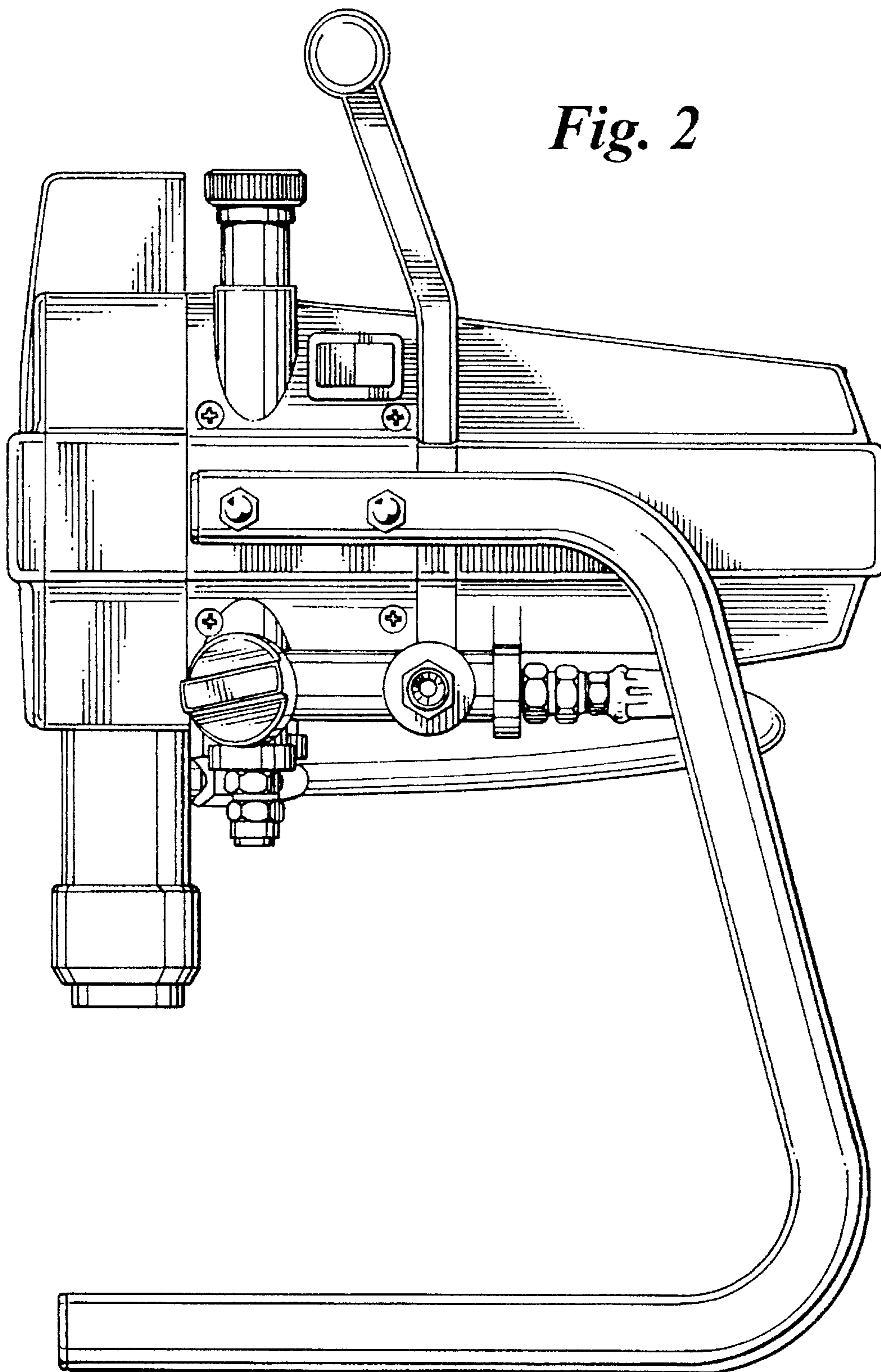
D. 281,070	10/1985	Karliner et al.	.....	D15/7
D. 290,126	6/1987	Krapowicz	.....	D15/7
D. 314,420	2/1991	Tomatsu	.....	D15/9

**1 Claim, 7 Drawing Sheets**



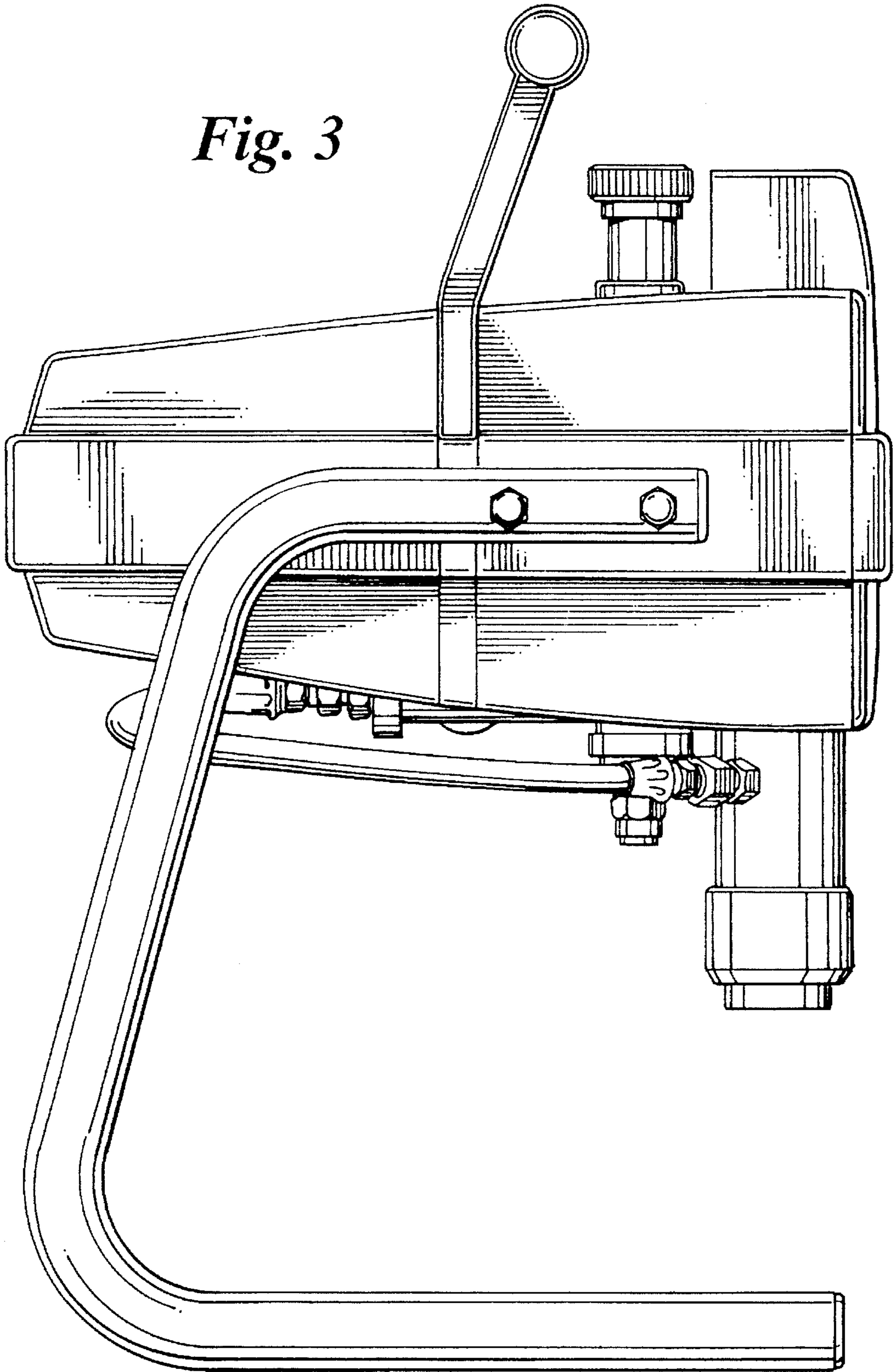
*Fig. 1*



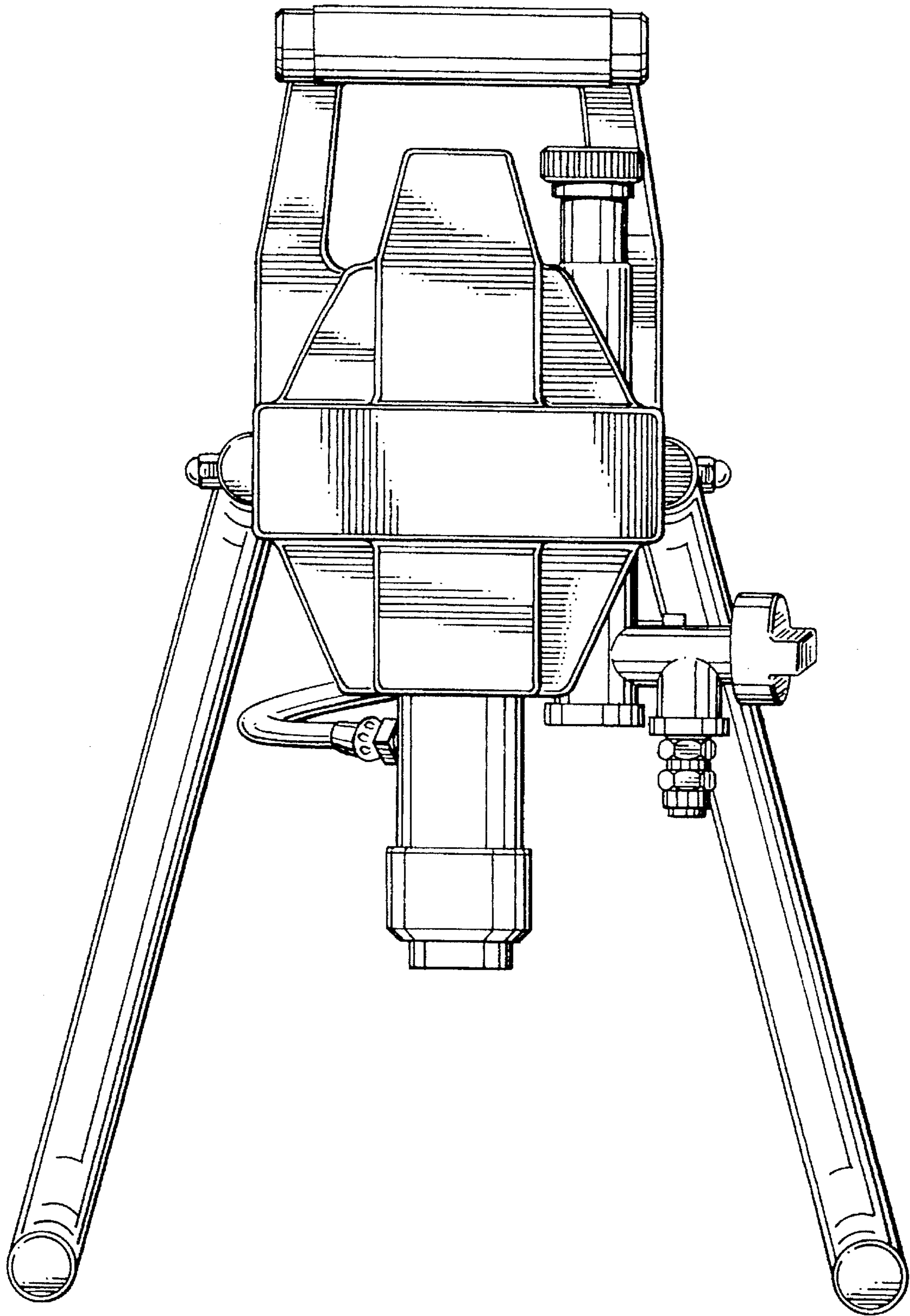


*Fig. 2*

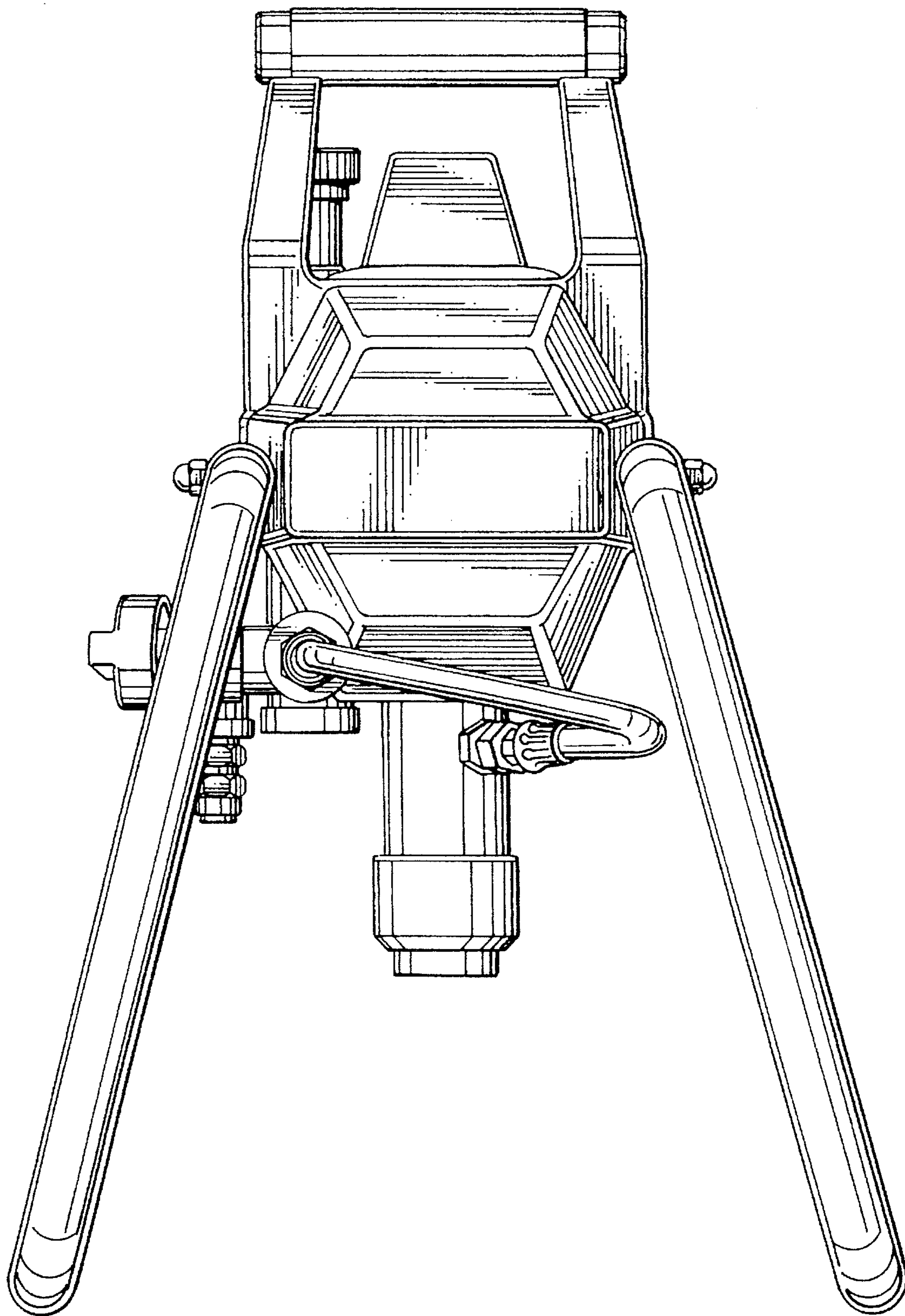
*Fig. 3*



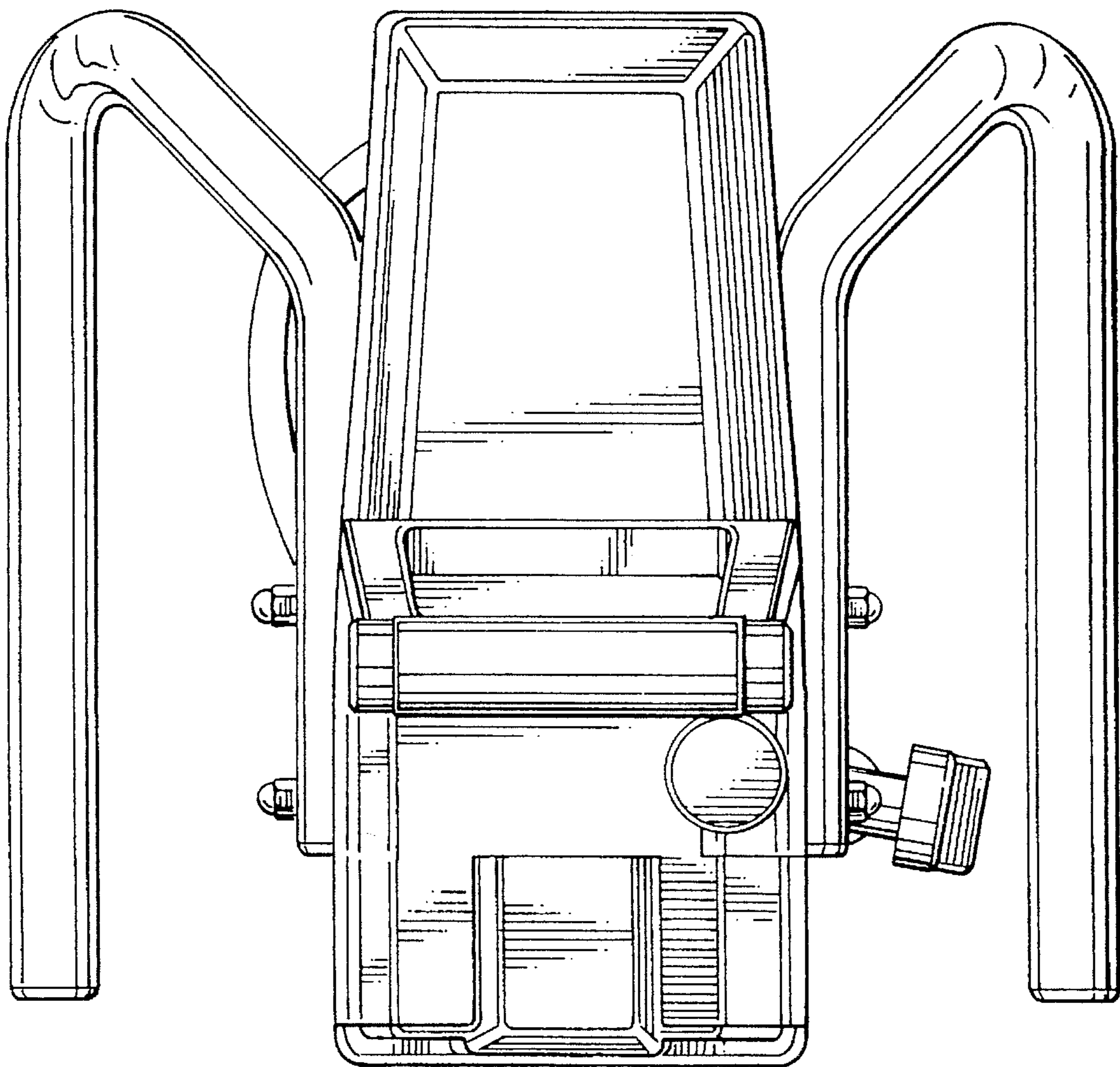
*Fig. 4*



*Fig. 5*



*Fig. 6*



*Fig. 7*

