



US00D377795S

# United States Patent [19] Gropper

[11] **Patent Number:** **Des. 377,795**  
[45] **Date of Patent:** **\*\*Feb. 4, 1997**

[54] **RADIO**  
[76] **Inventor:** Daniel R. Gropper, P.O. Box 625,  
Vienna, Va. 22183  
[\*\*] **Term:** 14 Years  
[21] **Appl. No.:** 49,927  
[22] **Filed:** Feb. 5, 1996  
[52] **U.S. Cl.** ..... D14/197; D14/188  
[58] **Field of Search** ..... D10/2, 15; D14/157,  
D14/168, 170-171, 188, 192-198, 257,  
265, 299; 455/344, 347, 350, 351

D. 367,275 2/1996 Ito et al. .... D14/188

*Primary Examiner*—Sandra L. Morris  
*Assistant Examiner*—Nanda Bondade  
*Attorney, Agent, or Firm*—Daniel R. Gropper

### [57] CLAIM

The ornamental design for a radio, as shown and described.

### DESCRIPTION

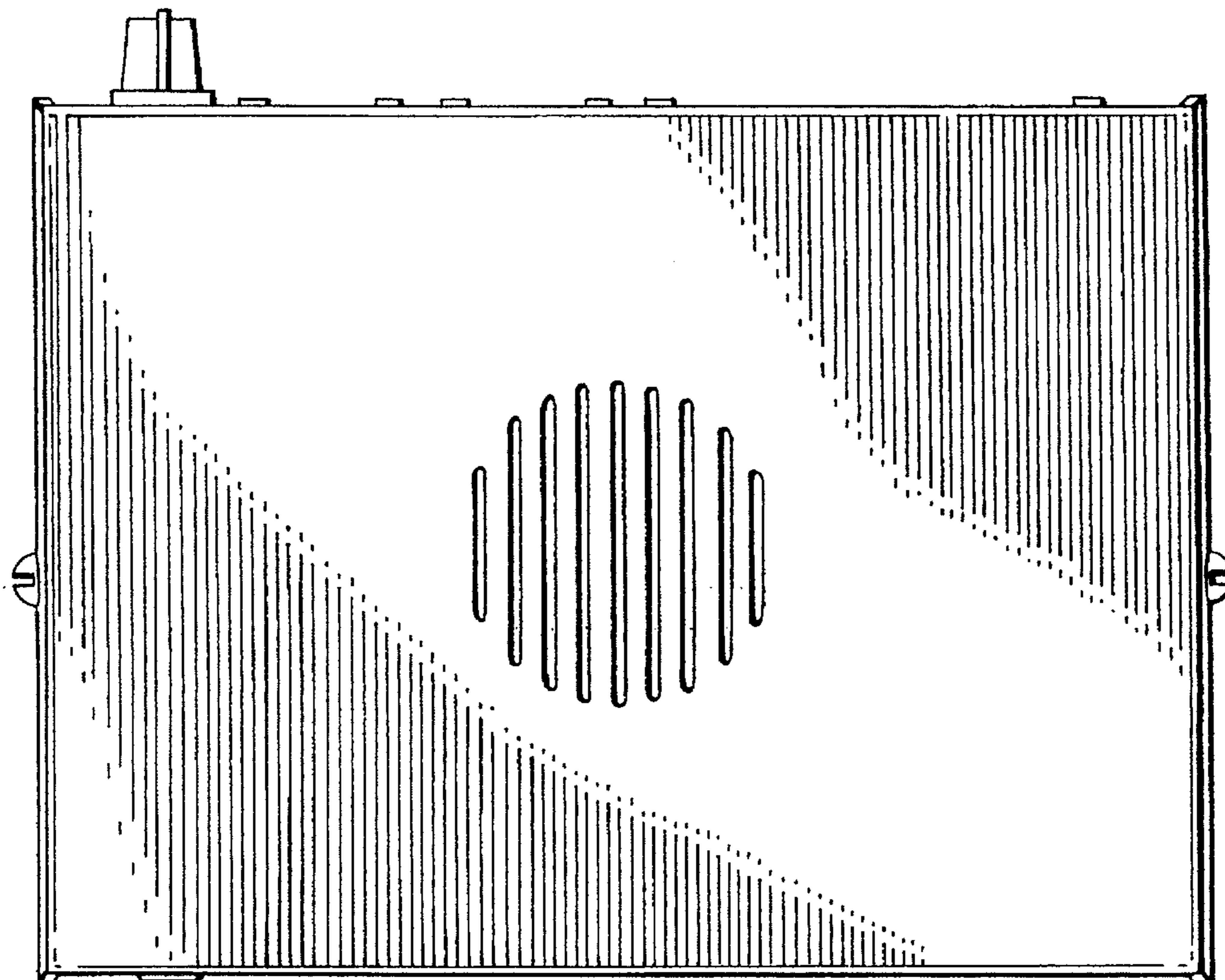
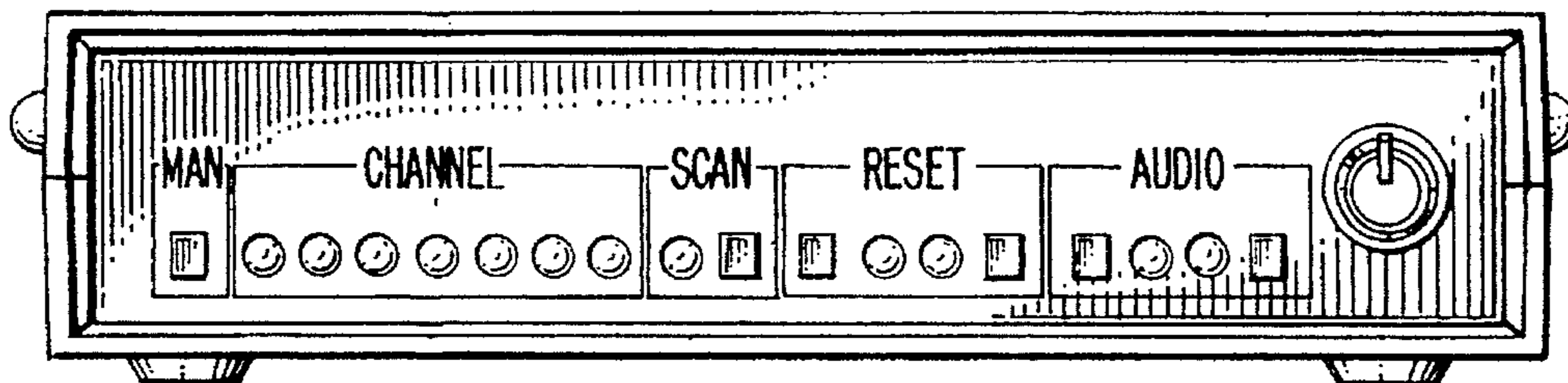
FIG. 1 is a front elevational view of a radio illustrating my new design;  
FIG. 2 is a rear elevational view thereof;  
FIG. 3 is a right side elevational view thereof;  
FIG. 4 is a left side elevational view thereof;  
FIG. 5 is a top plan view thereof; and,  
FIG. 6 is a bottom plan view thereof.

### [56] References Cited

#### U.S. PATENT DOCUMENTS

D. 219,754 1/1971 Ebata ..... D14/162  
D. 230,278 2/1974 Makino et al. .... D14/198  
D. 328,073 7/1992 Yamakawa ..... D14/198 X

1 Claim, 2 Drawing Sheets



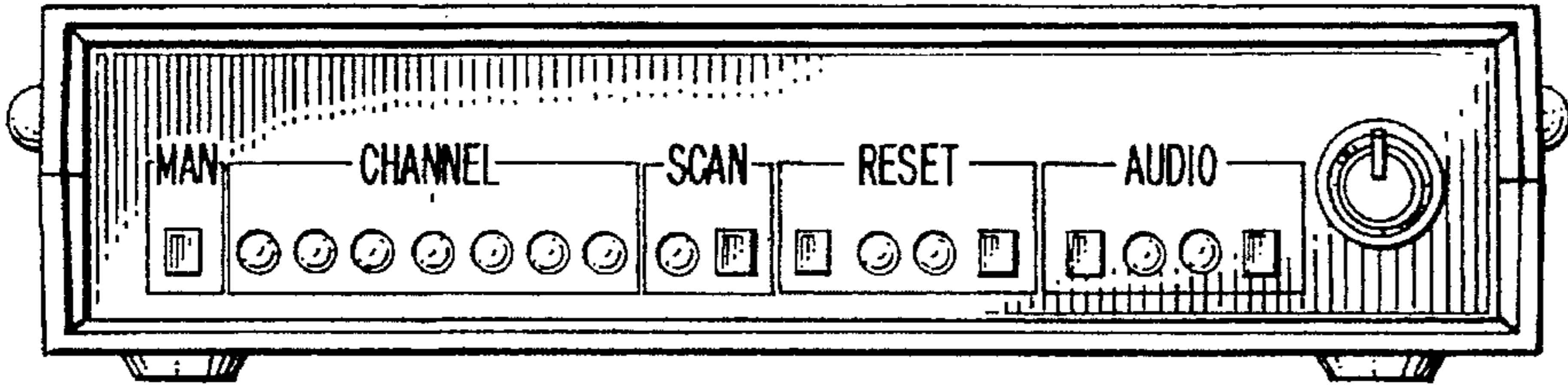


FIG - 1

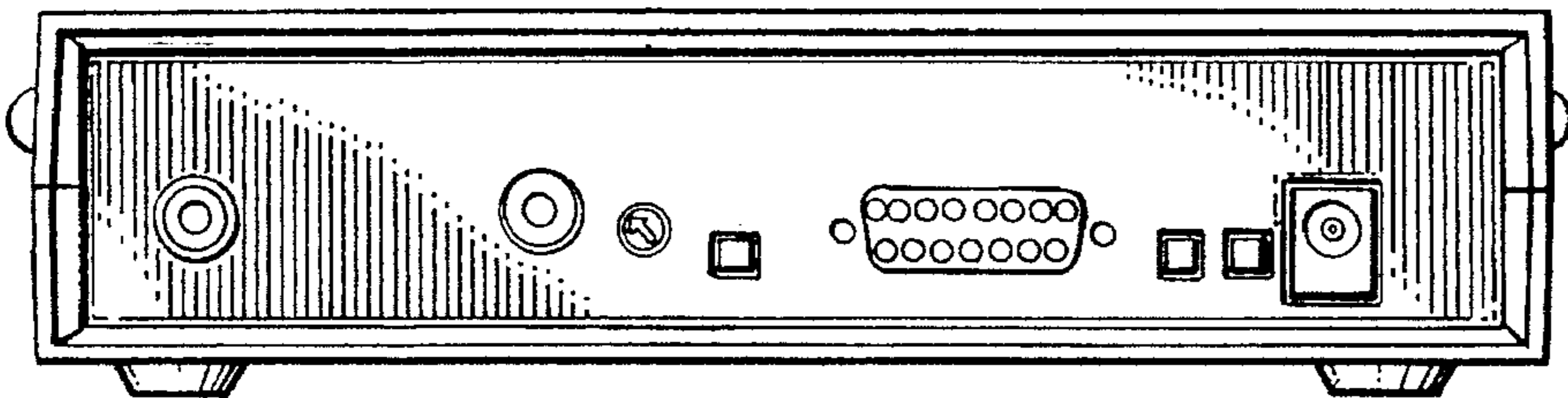


FIG - 2

FIG - 3

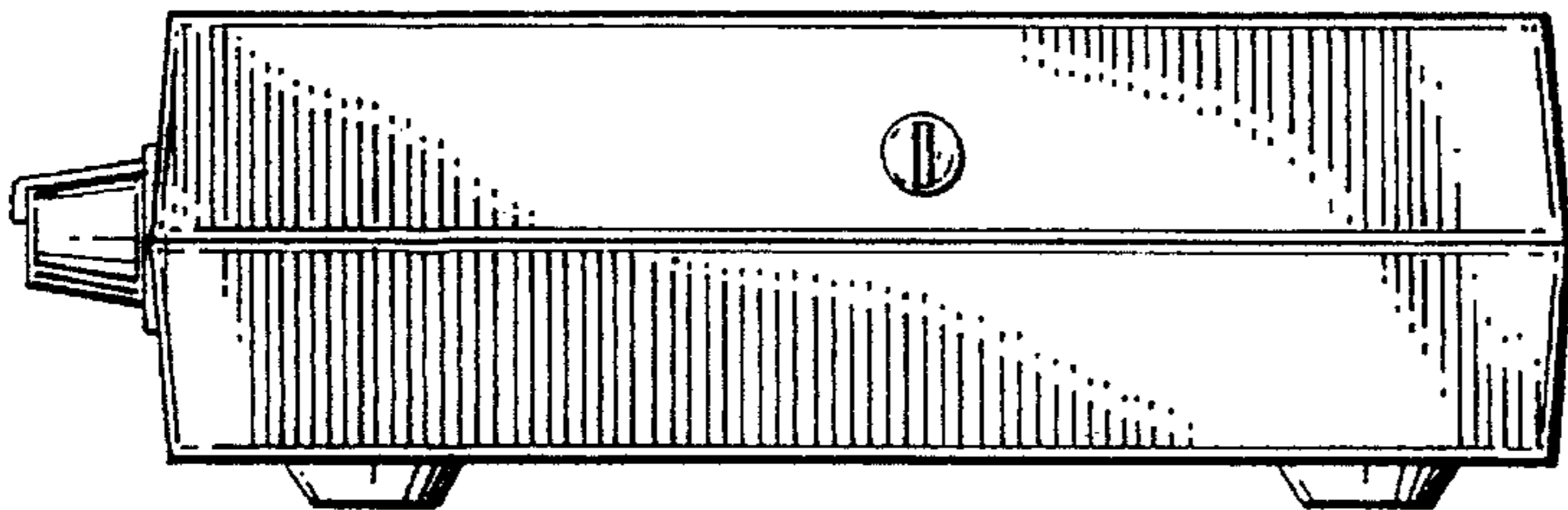
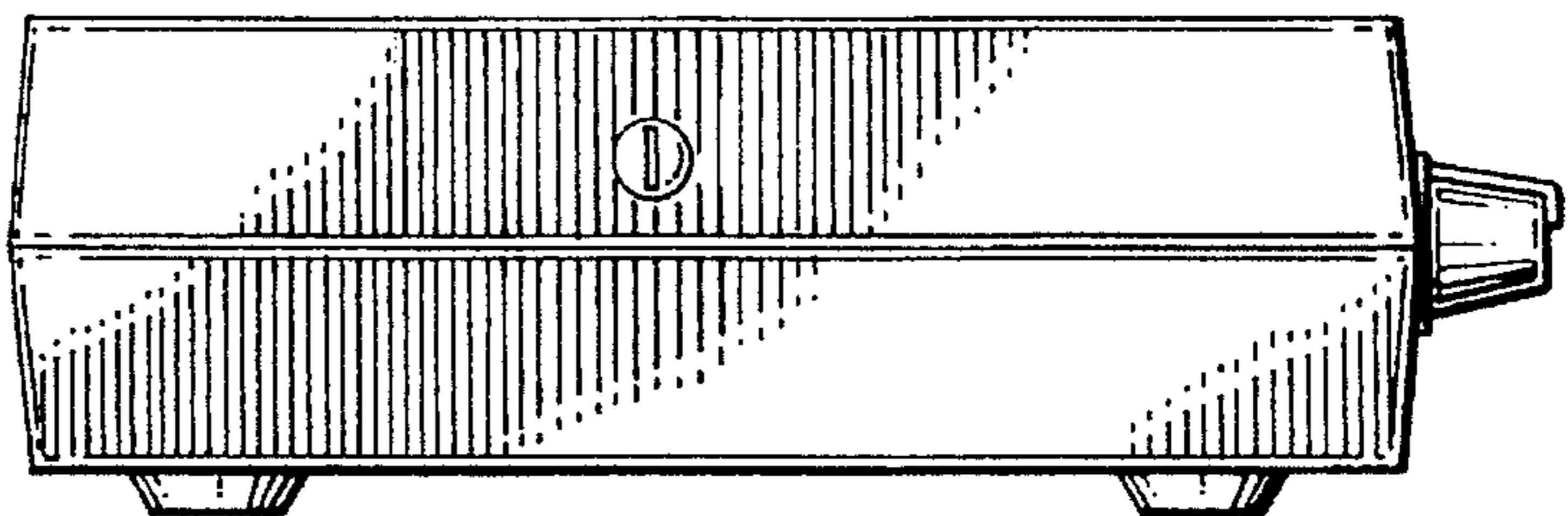


FIG - 4



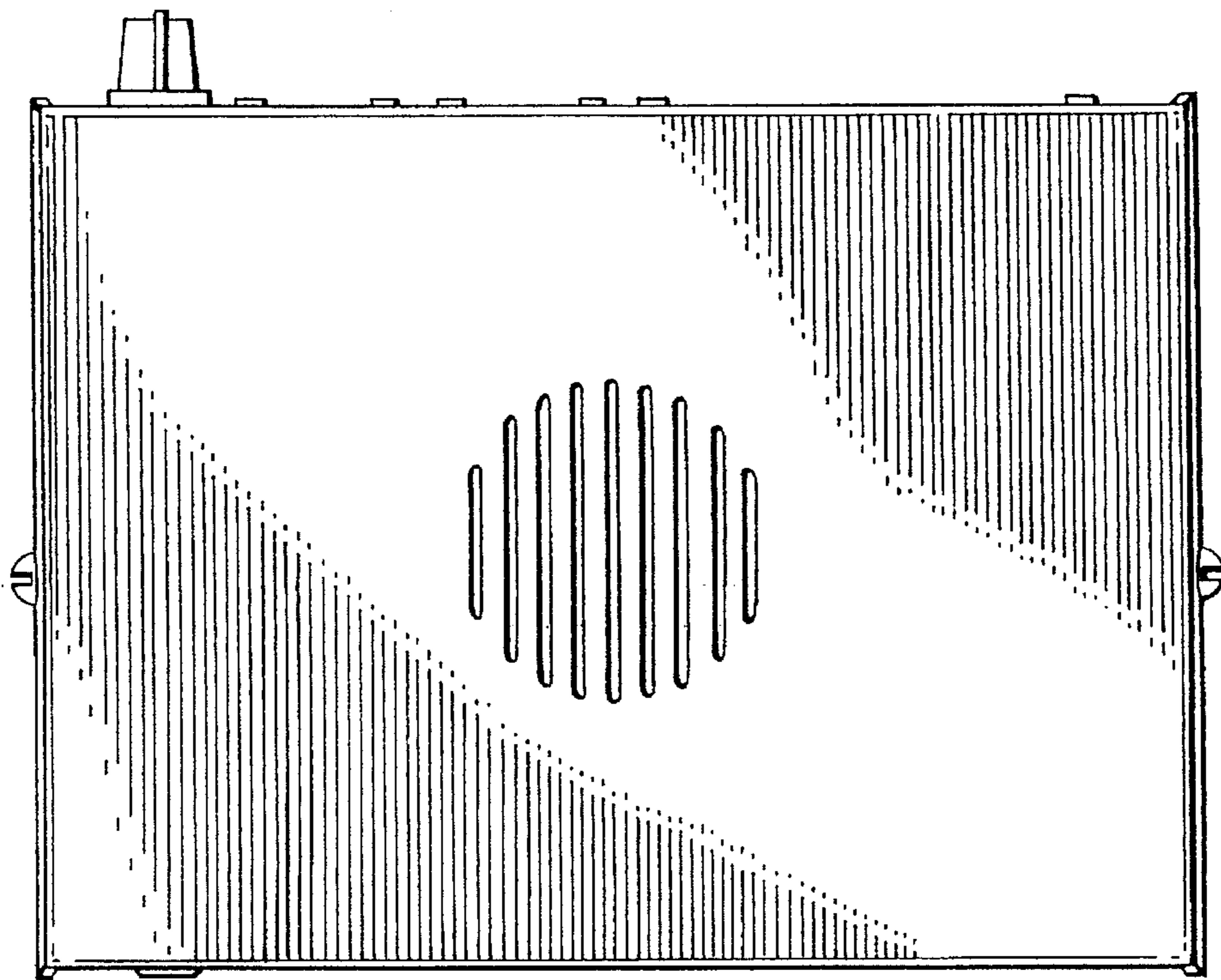


FIG - 5

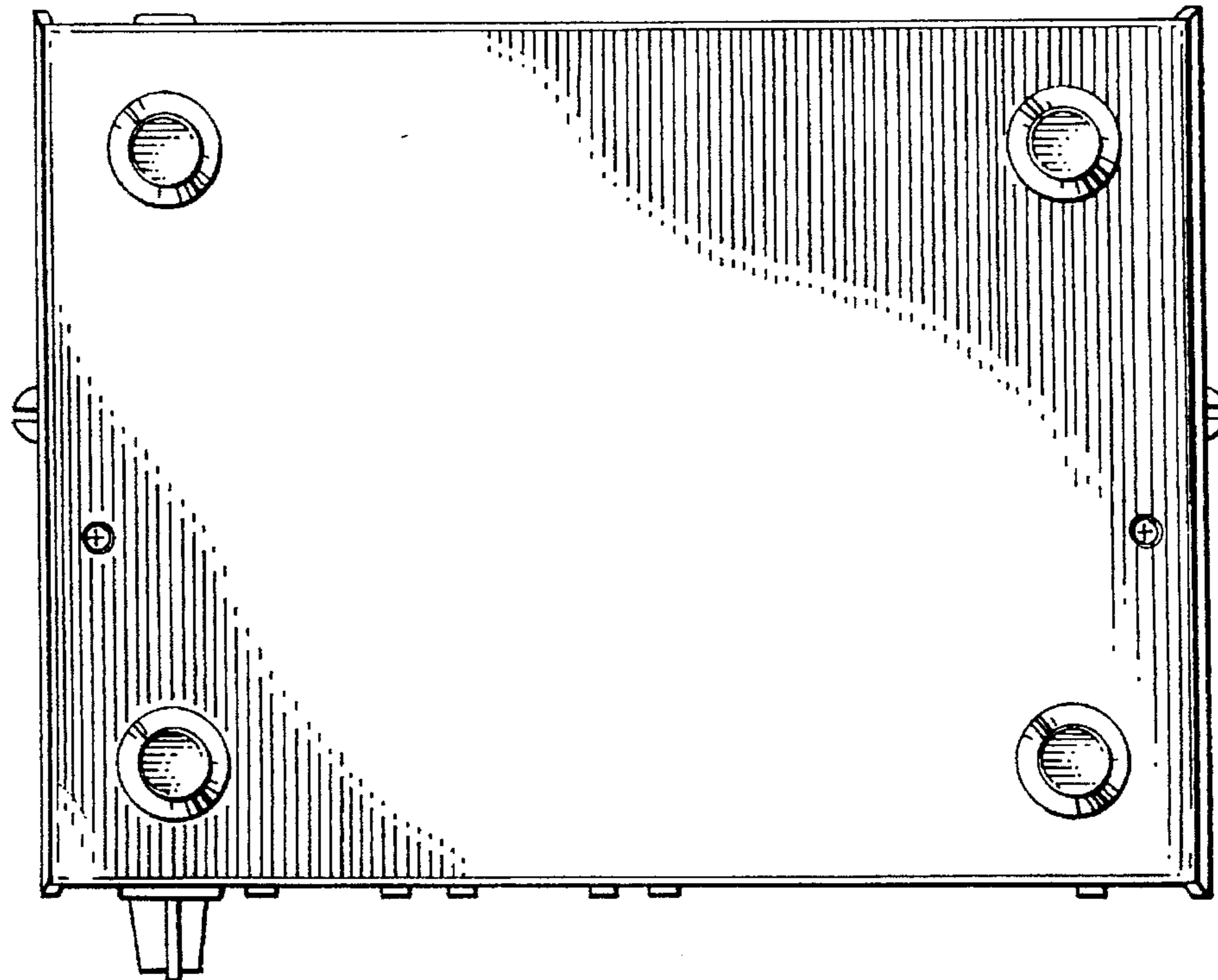


FIG - 6