



US00D377791S

United States Patent [19]

Kirihara et al.

[11] Patent Number: **Des. 377,791**

[45] Date of Patent: ****Feb. 4, 1997**

[54] VIDEO CASSETTE

[75] Inventors: **Kazushi Kirihara; Michio Akita**, both of Tokyo, Japan

[73] Assignee: **Sony Corporation**, Tokyo, Japan

[**] Term: **14 Years**

[21] Appl. No.: **43,702**

[22] Filed: **Sep. 11, 1995**

[52] U.S. Cl. **D14/121**

[58] Field of Search D14/121, 100, D14/114, 122, 299, 135, 136; D21/13, 48; 273/148 B, 433-438, DIG. 28; 242/348, 348.4, 341; 360/132, 133

[56] **References Cited**

U.S. PATENT DOCUMENTS

D. 271,688	12/1983	Tajima et al.	D14/121
D. 331,926	12/1992	Urano et al.	D14/121
D. 333,464	2/1993	Yoshida	D14/121 X
D. 336,902	6/1993	Horikiri	D14/121
D. 337,110	7/1993	Nakaizumi	D14/121
D. 351,380	10/1994	Suzuki	D14/121
D. 364,614	11/1995	Bailey et al.	D14/121
5,362,068	11/1994	Liu	273/434 X

Primary Examiner—Prabhakar G. Deshmukh
Attorney, Agent, or Firm—Foley & Lardner

[57] **CLAIM**

The ornamental design for a video cassette, as shown and described.

DESCRIPTION

FIG. 1 is a perspective view of a first embodiment of the video cassette showing our new design;
 FIG. 2 is a top plan view thereof;
 FIG. 3 is a left side elevational view thereof;
 FIG. 4 is a front elevational view thereof;
 FIG. 5 is a right side elevational view thereof;
 FIG. 6 is a rear elevational view thereof;
 FIG. 7 is a bottom plan view thereof;
 FIG. 8 is a perspective view of a second embodiment of the video cassette showing our new design;
 FIG. 9 is a top plan view of the second embodiment of FIG. 8;
 FIG. 10 is a left side elevational view of the second embodiment of FIG. 8;
 FIG. 11 is a front elevational view of the second embodiment of FIG. 8;
 FIG. 12 is a right side elevational view of the second embodiment of FIG. 8;
 FIG. 13 is a rear elevational view of the second embodiment of FIG. 8; and,
 FIG. 14 is a bottom plan view of the second embodiment of FIG. 8.

1 Claim, 3 Drawing Sheets

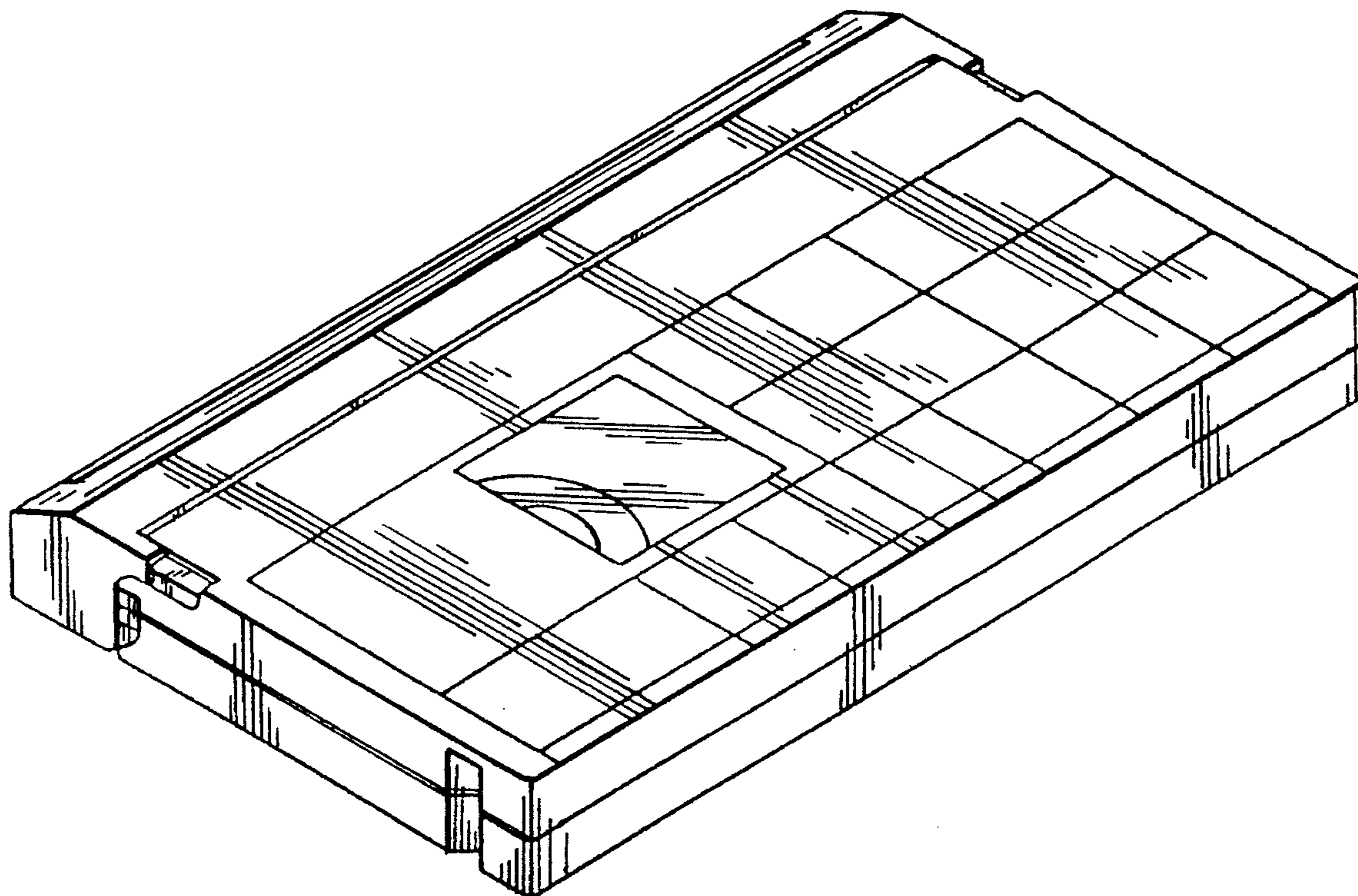


FIG. 1

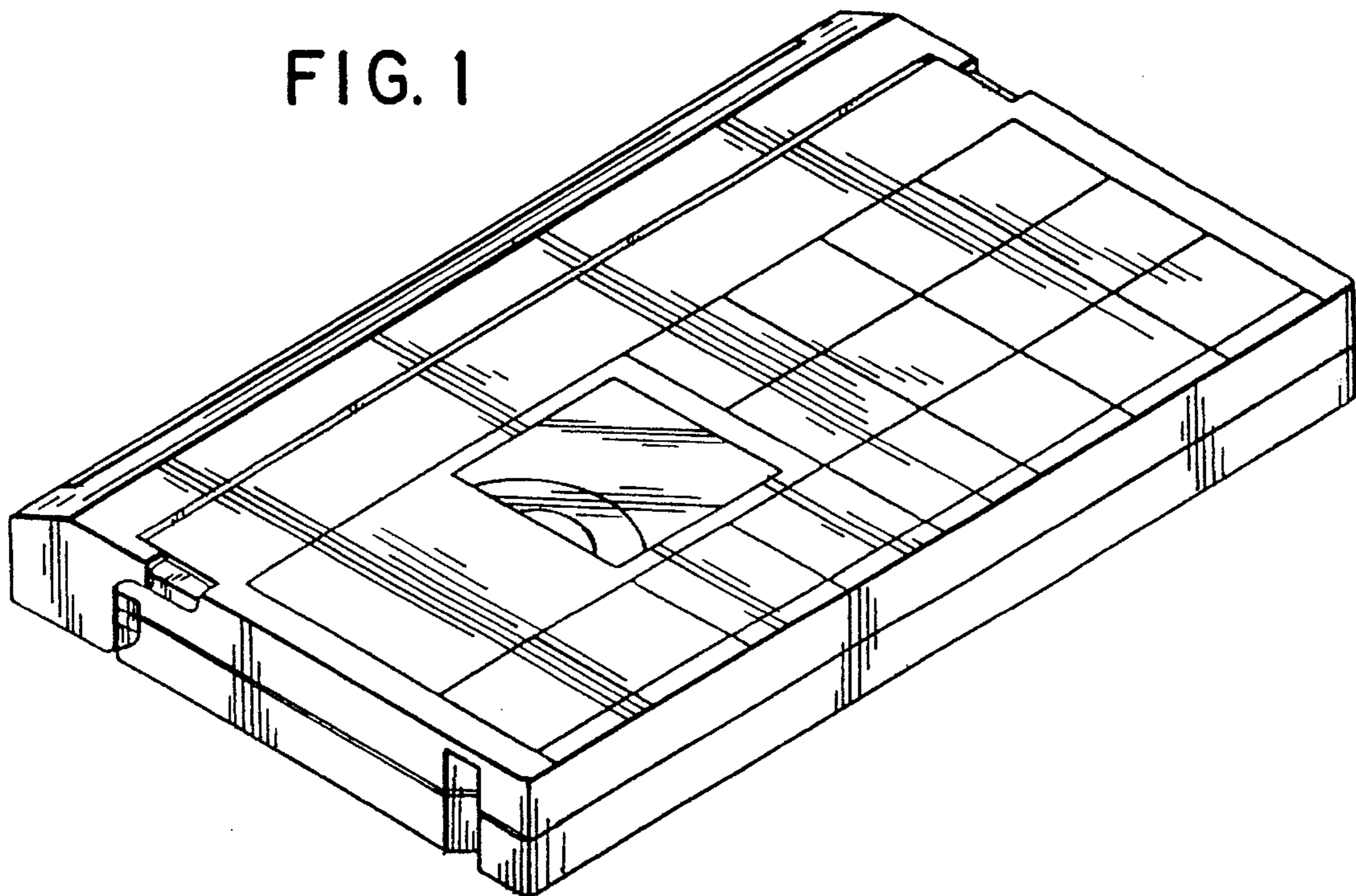


FIG. 2

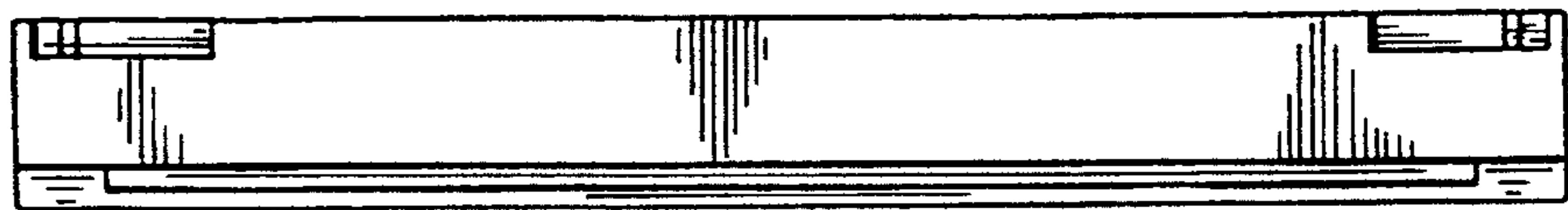


FIG. 3

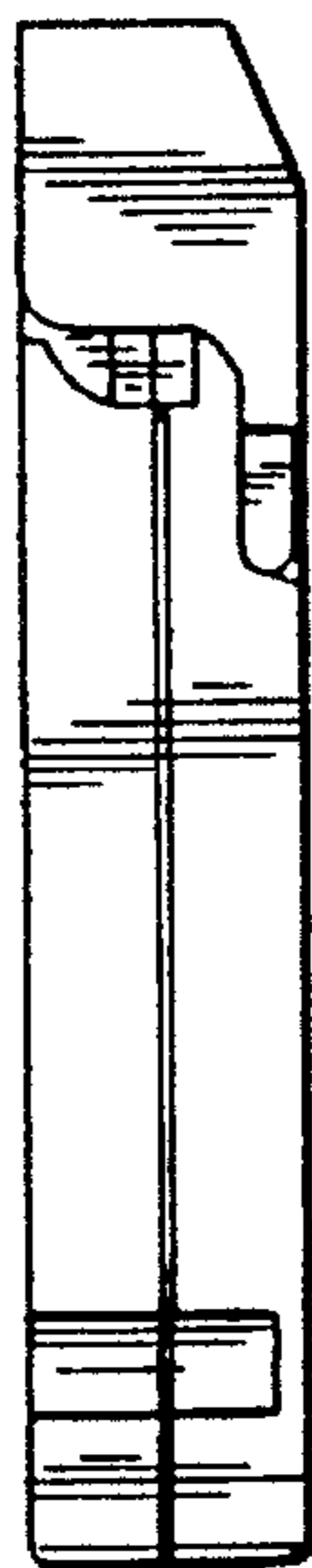


FIG. 4

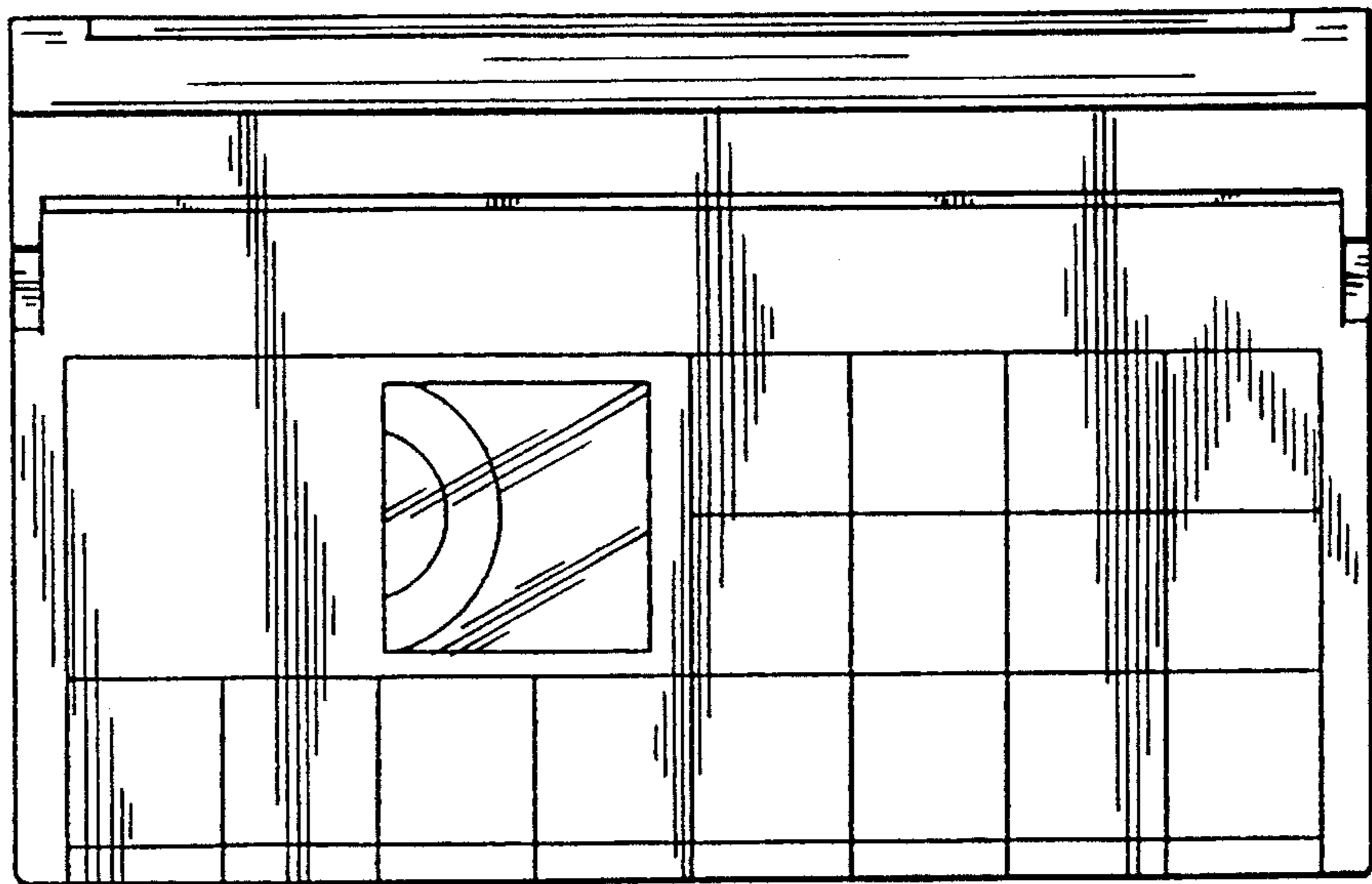


FIG. 5

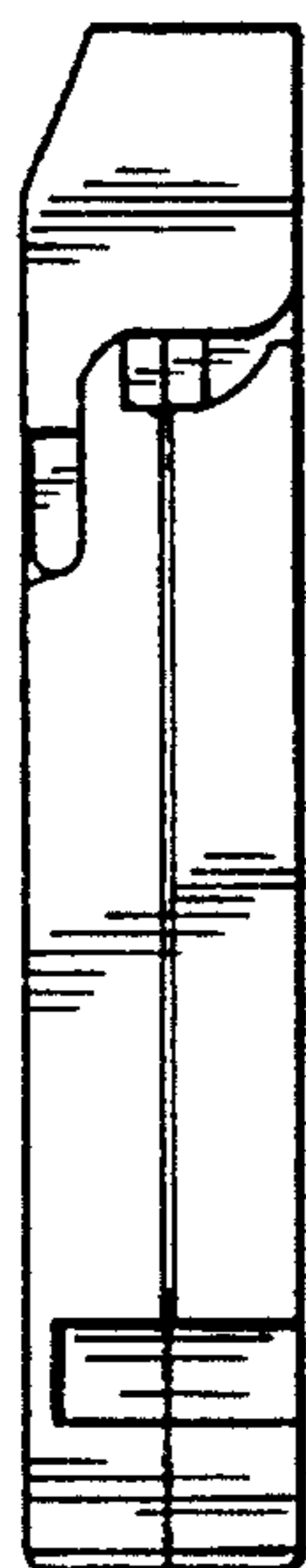


FIG. 6

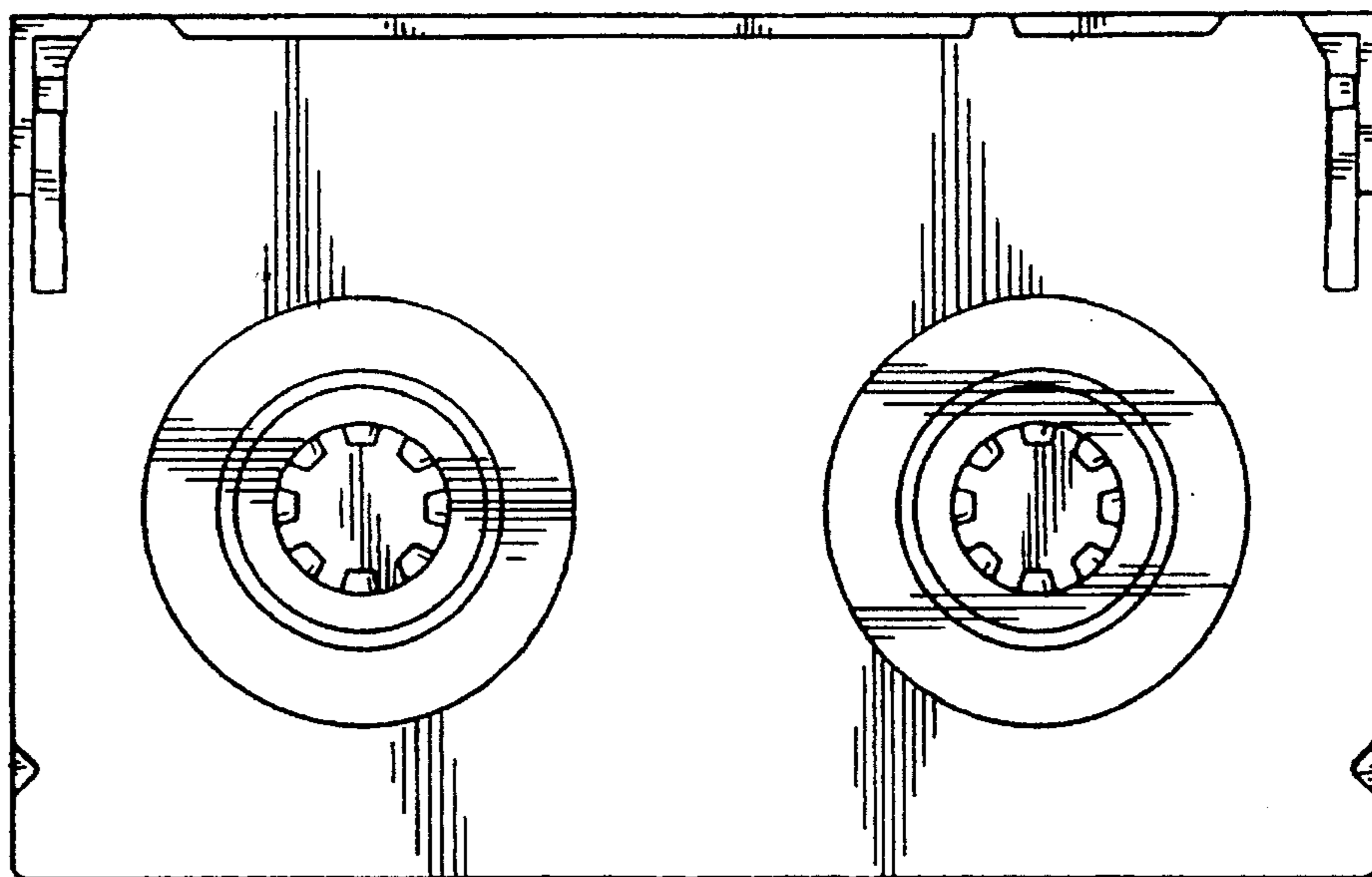


FIG. 7

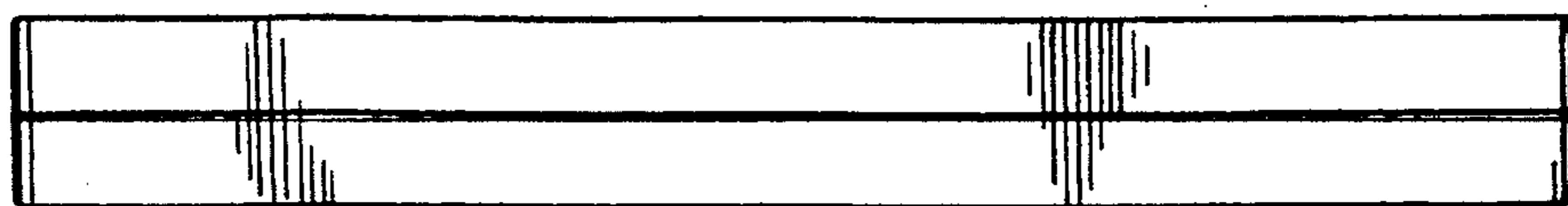


FIG. 8

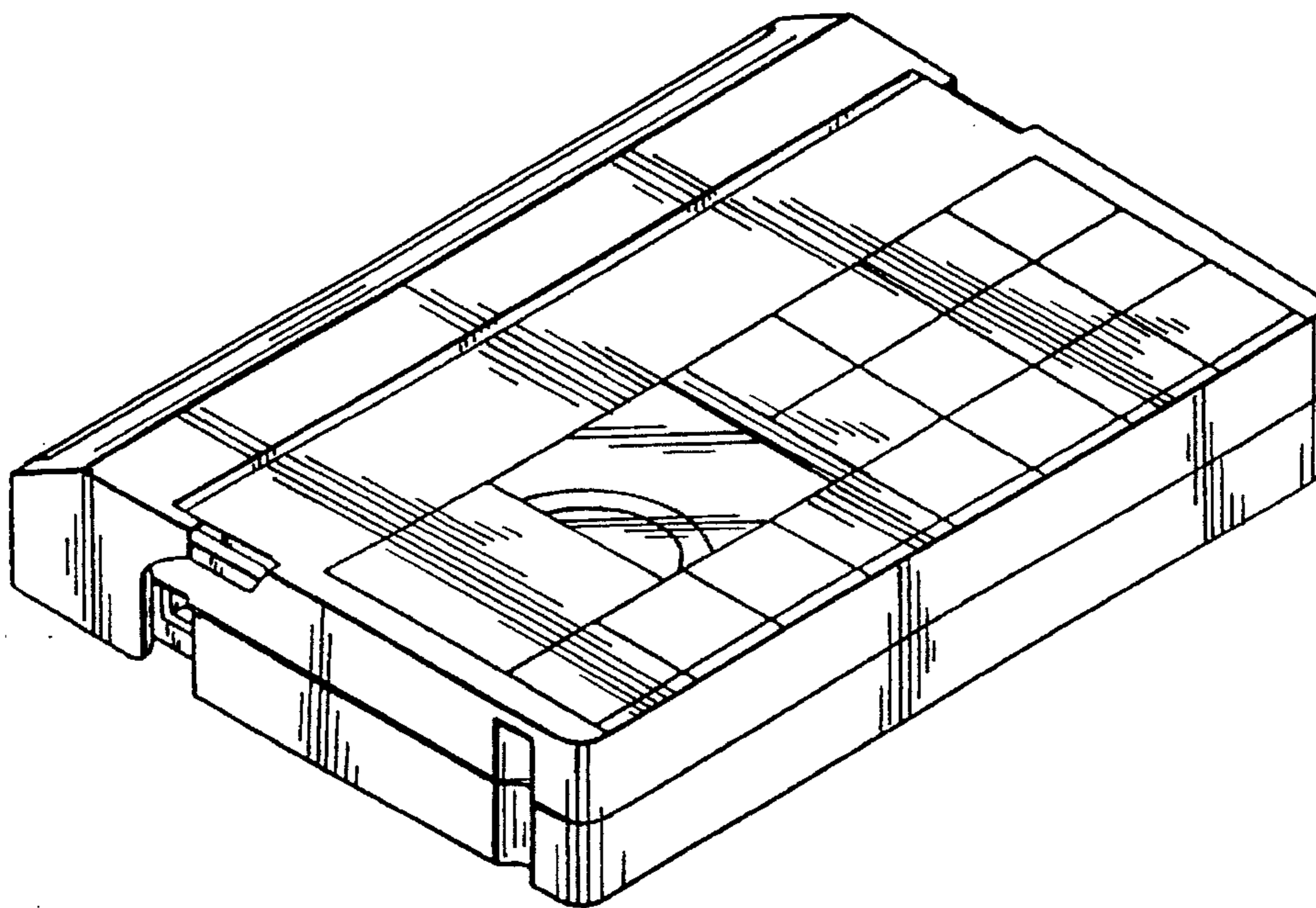


FIG. 9

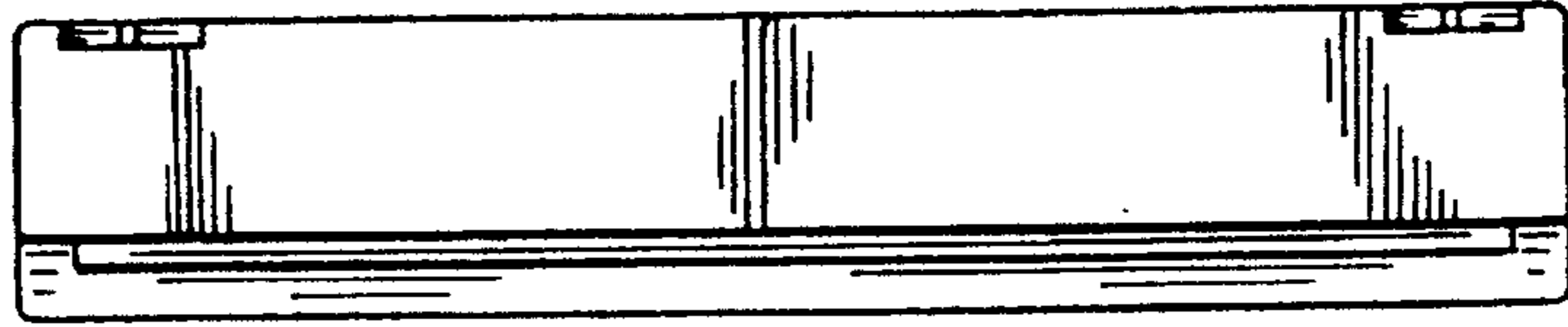


FIG. 10

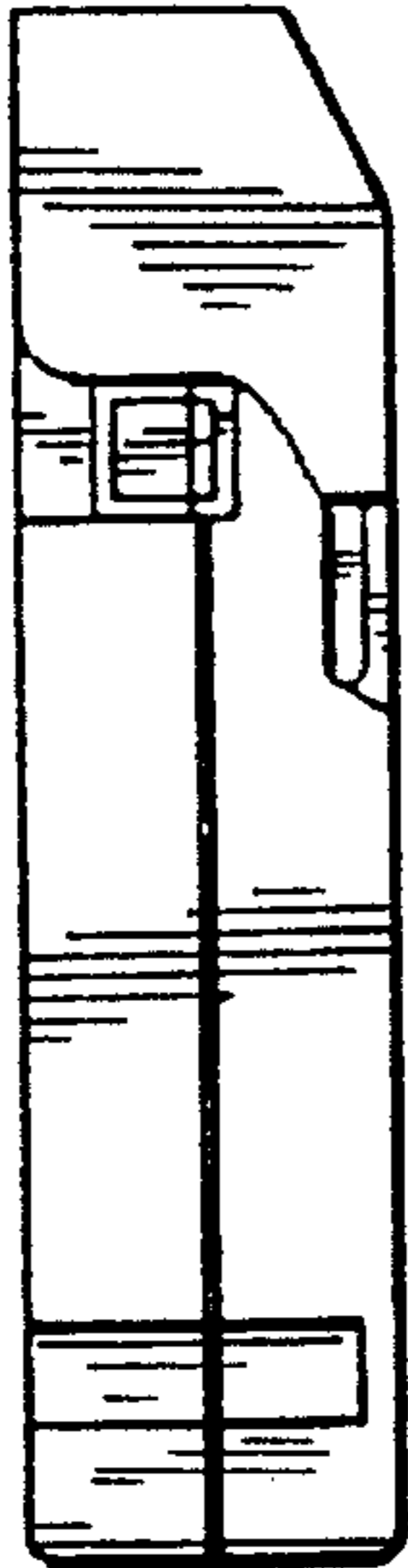


FIG. 11

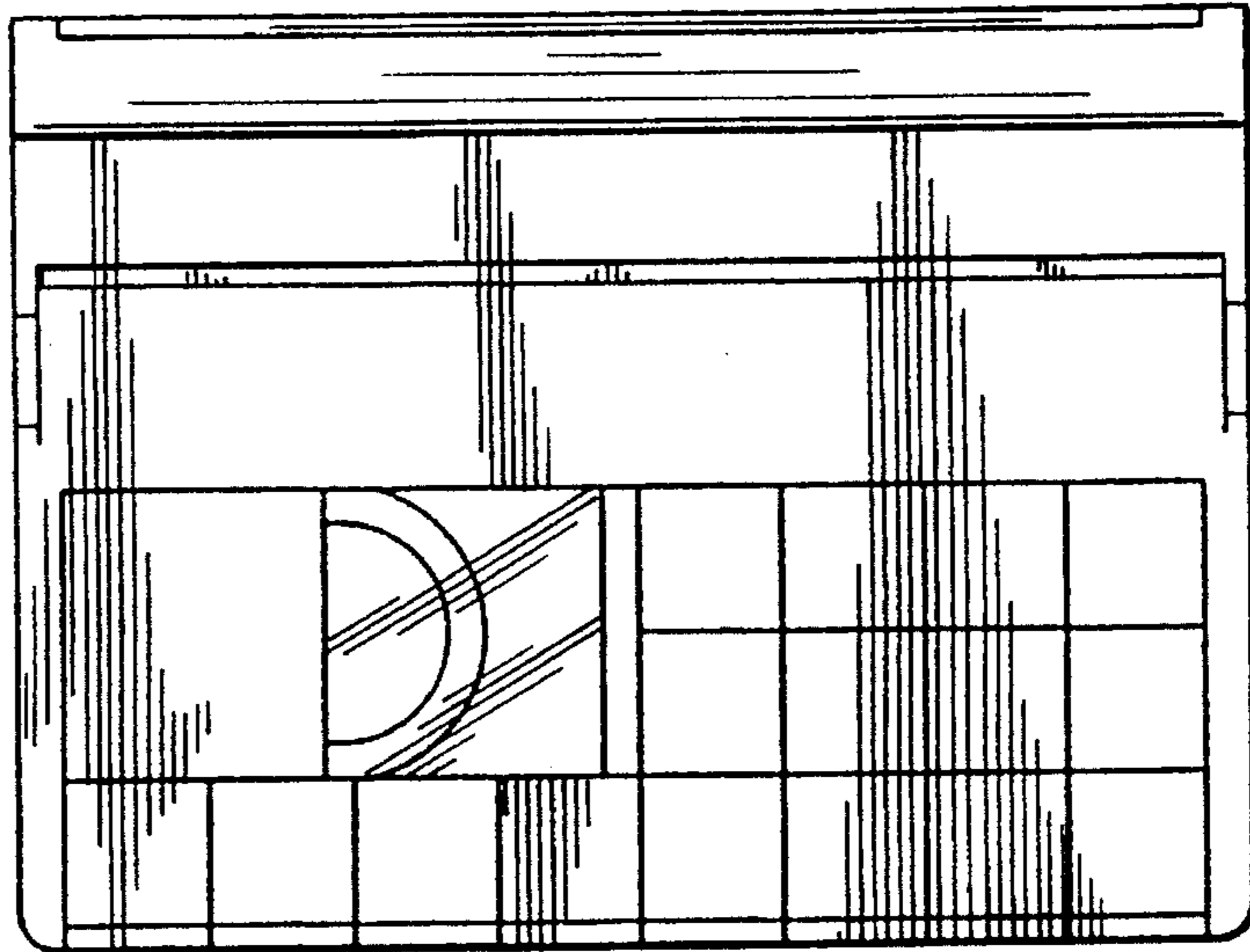


FIG. 13

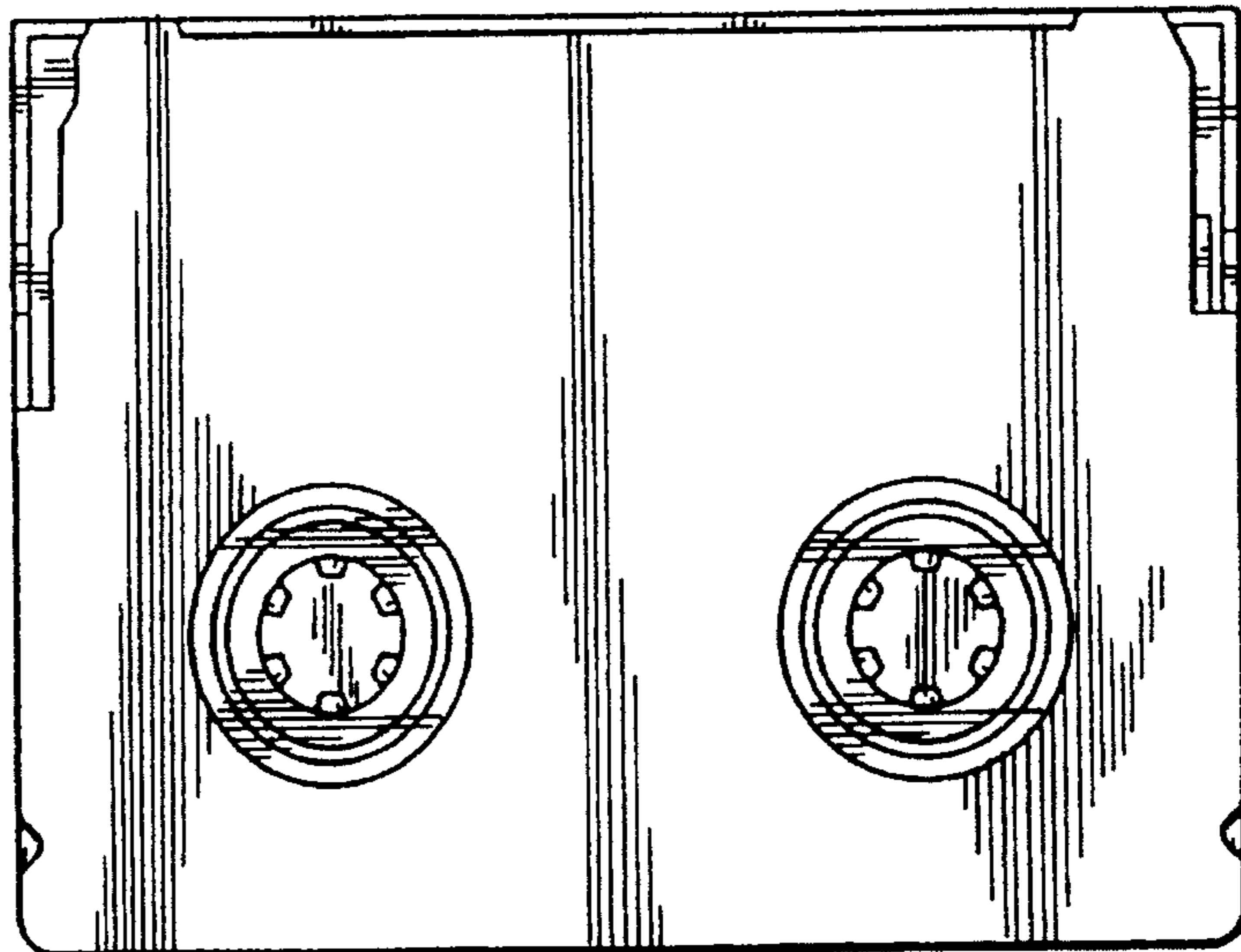


FIG. 12

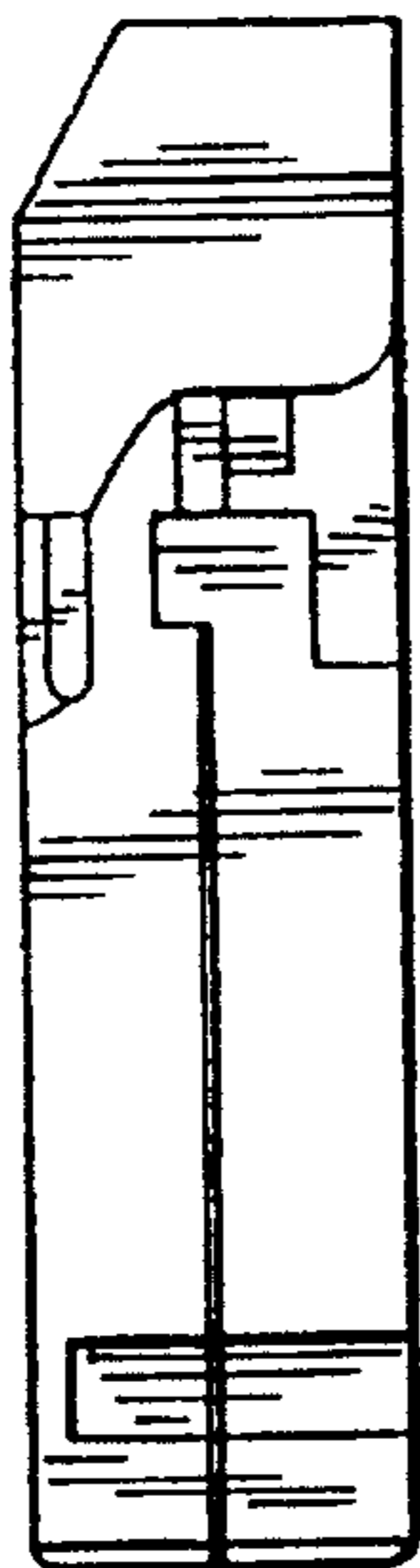


FIG. 14

