



US00D377786S

United States Patent [19]

Jones et al.

[11] Patent Number: **Des. 377,786**

[45] Date of Patent: ****Feb. 4, 1997**

[54] **ELECTRONIC ORGANIZER HOUSING**

[75] Inventors: **Jeffrey M. Jones**, Highland Park, Ill.;
Joe T. K. Shan, Central Hong Kong;
Kenny L. K. Keung, Hong Kong, both
of Hong Kong

[73] Assignee: **Tiger Electronics, Inc.**, Vernon Hills,
Ill.

[**] Term: **14 Years**

[21] Appl. No.: **47,702**

[22] Filed: **Dec. 11, 1995**

Related U.S. Application Data

[63] Continuation-in-part of Ser. No. 33,671, Jan. 18, 1995,
abandoned.

[52] U.S. Cl. **D14/100**

[58] Field of Search D14/100, 106,
D14/105, 115; D18/1, 2, 7; D19/59, 60;
D21/13, 48; 235/145 A, 145 R; 341/22,
23; 345/156, 168, 169, 172, 173, 87; 364/708.1

[56] **References Cited**

U.S. PATENT DOCUMENTS

D. 333,298 2/1993 Raslowsky et al. D14/100

D. 343,831 2/1994 Spoeth D14/106
D. 354,073 1/1995 Shigemura D18/7 X
D. 354,742 1/1995 Hamilton D14/100
D. 355,166 2/1995 Sakaguchi et al. D14/100
D. 355,170 2/1995 Mizusugi et al. D14/100

OTHER PUBLICATIONS

Midway Mortal Kombat product, shown on p. 84 (copyright
1992) from Jan., 1994 edition of Tiger Electronics, Inc.,
book entitled *Lightning Strikes Again*.

Primary Examiner—Freda Nunn

Attorney, Agent, or Firm—Fitch, Even, Tabin & Flannery

[57] **CLAIM**

The ornamental design for an electronic organizer housing,
as shown and described.

DESCRIPTION

FIG. 1 is a perspective view of an electronic organizer
housing showing our new design;
FIG. 2 is a top plan view thereof;
FIG. 3 is a bottom plan view thereof;
FIG. 4 is a front elevational view thereof;
FIG. 5 is a rear elevational view thereof;
FIG. 6 is a left side view thereof; and,
FIG. 7 is a right side view thereof.

1 Claim, 4 Drawing Sheets



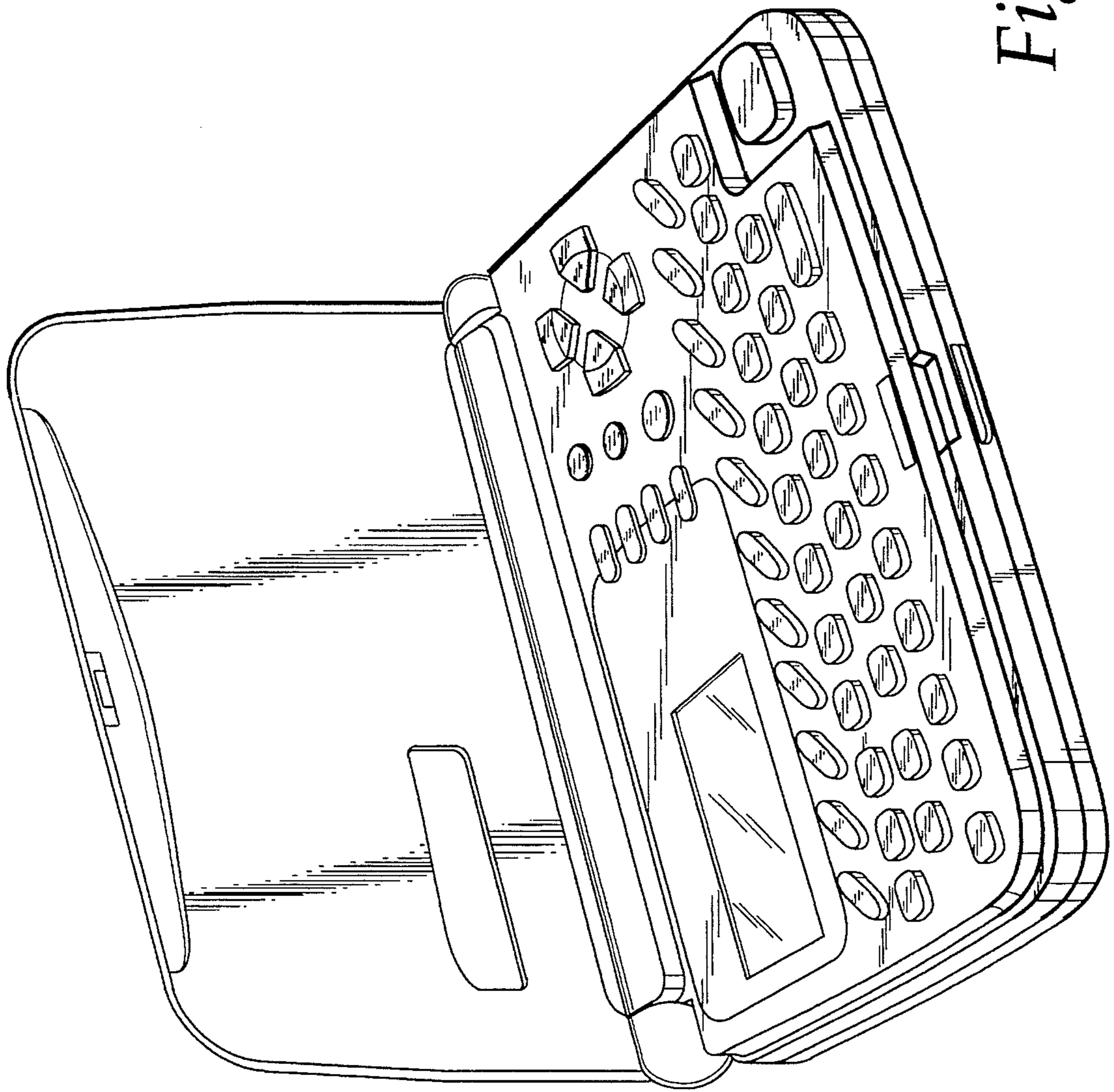


Fig. 1

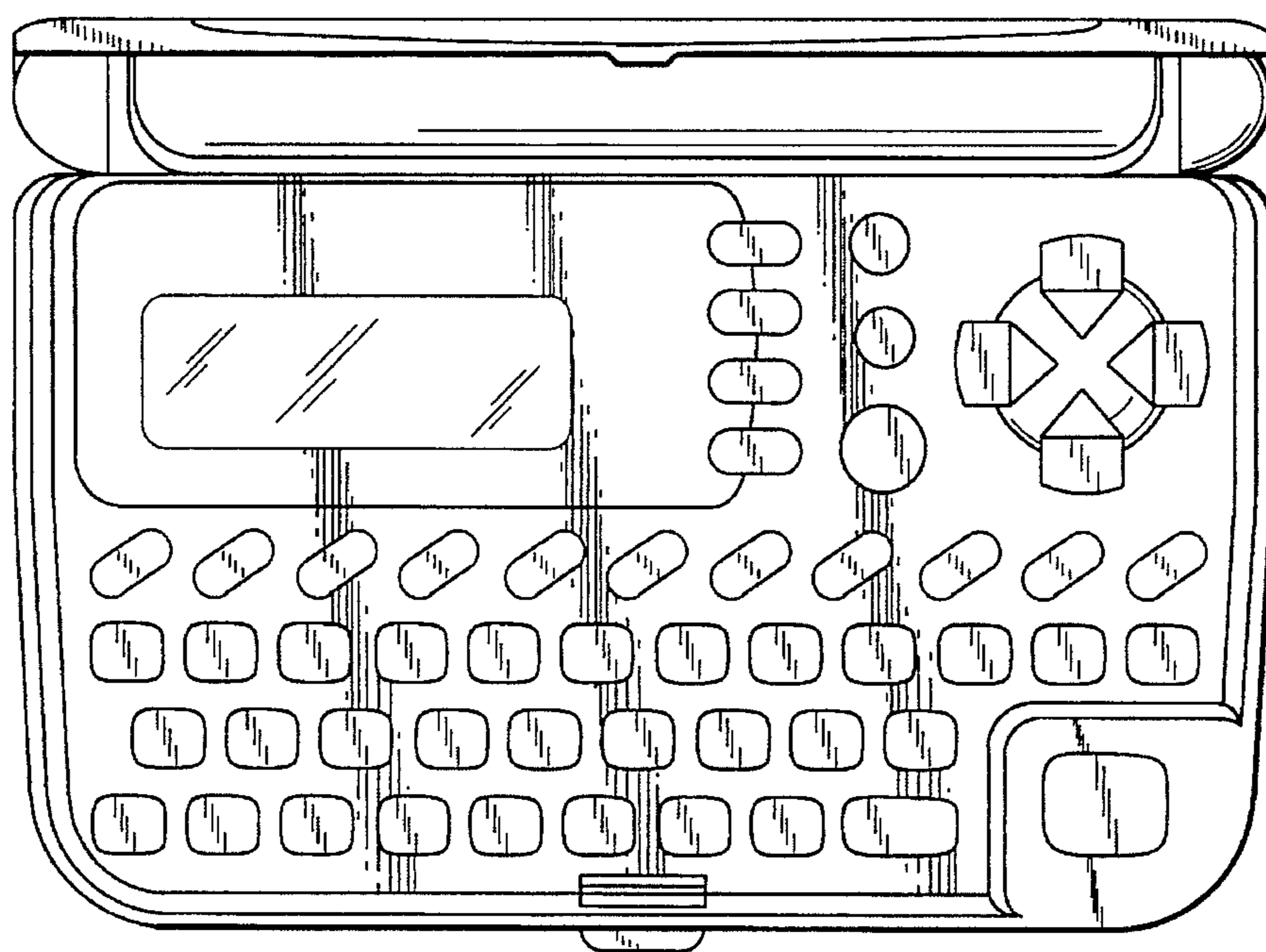


Fig. 2

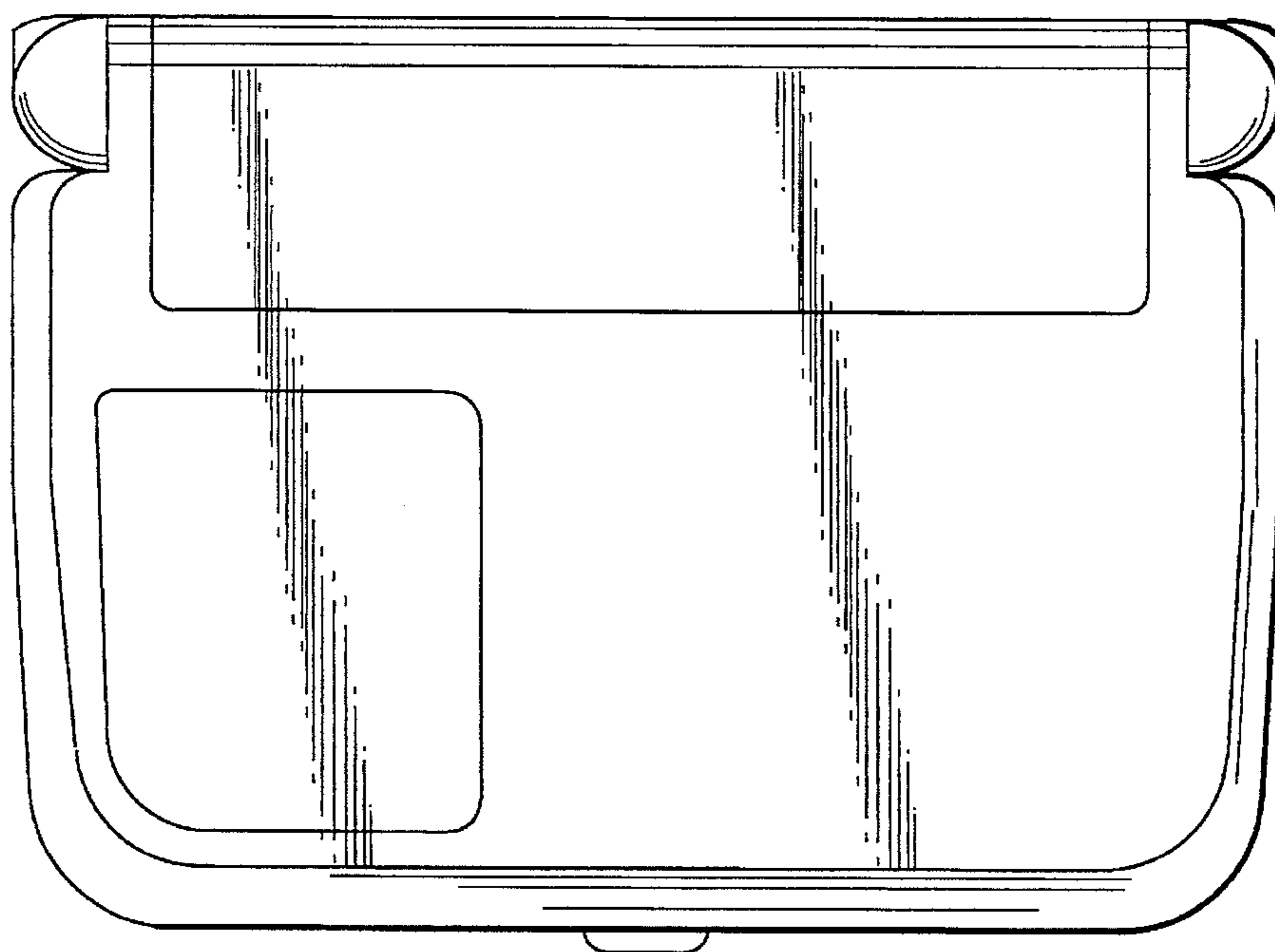


Fig. 3

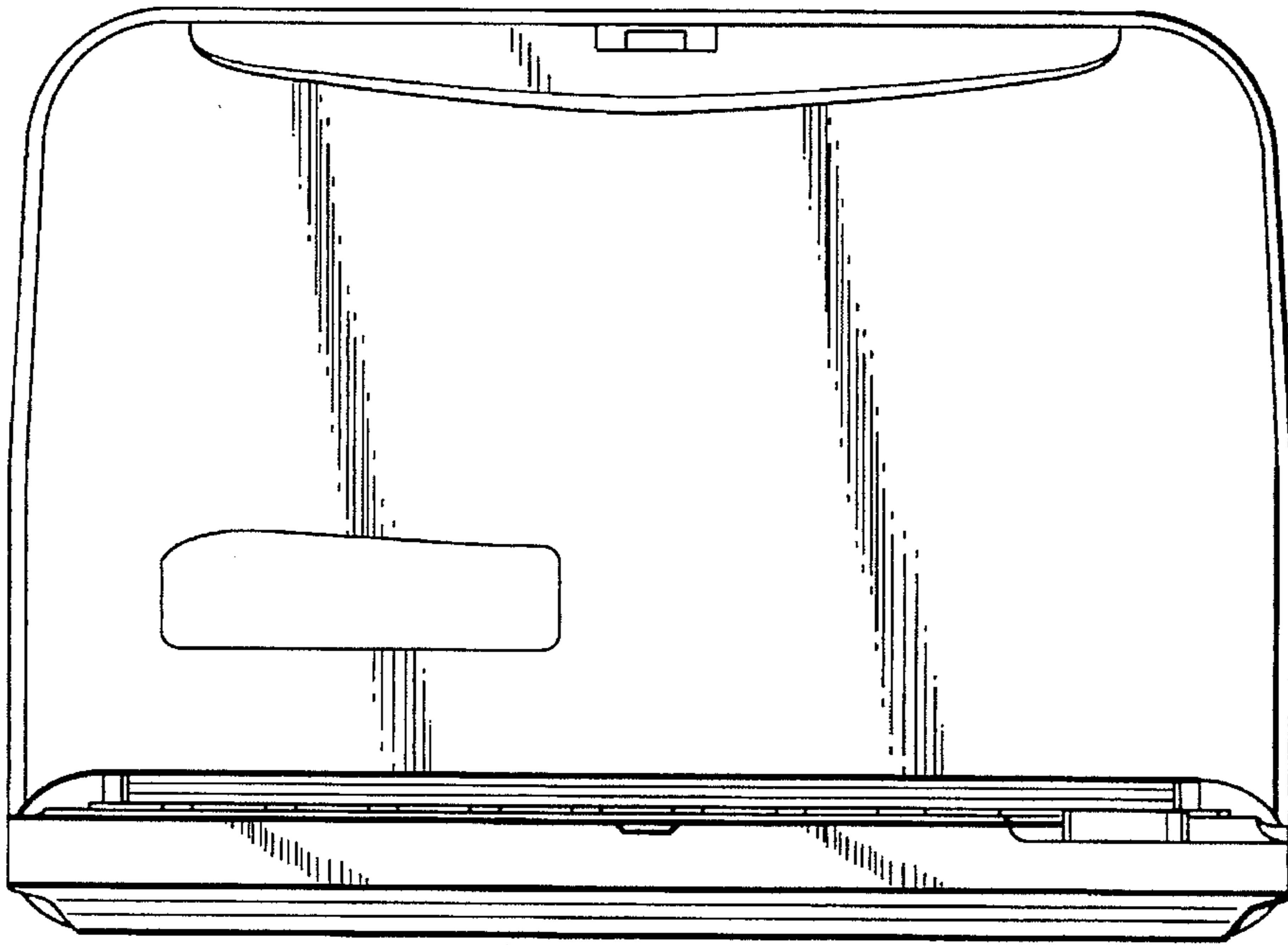


Fig. 4

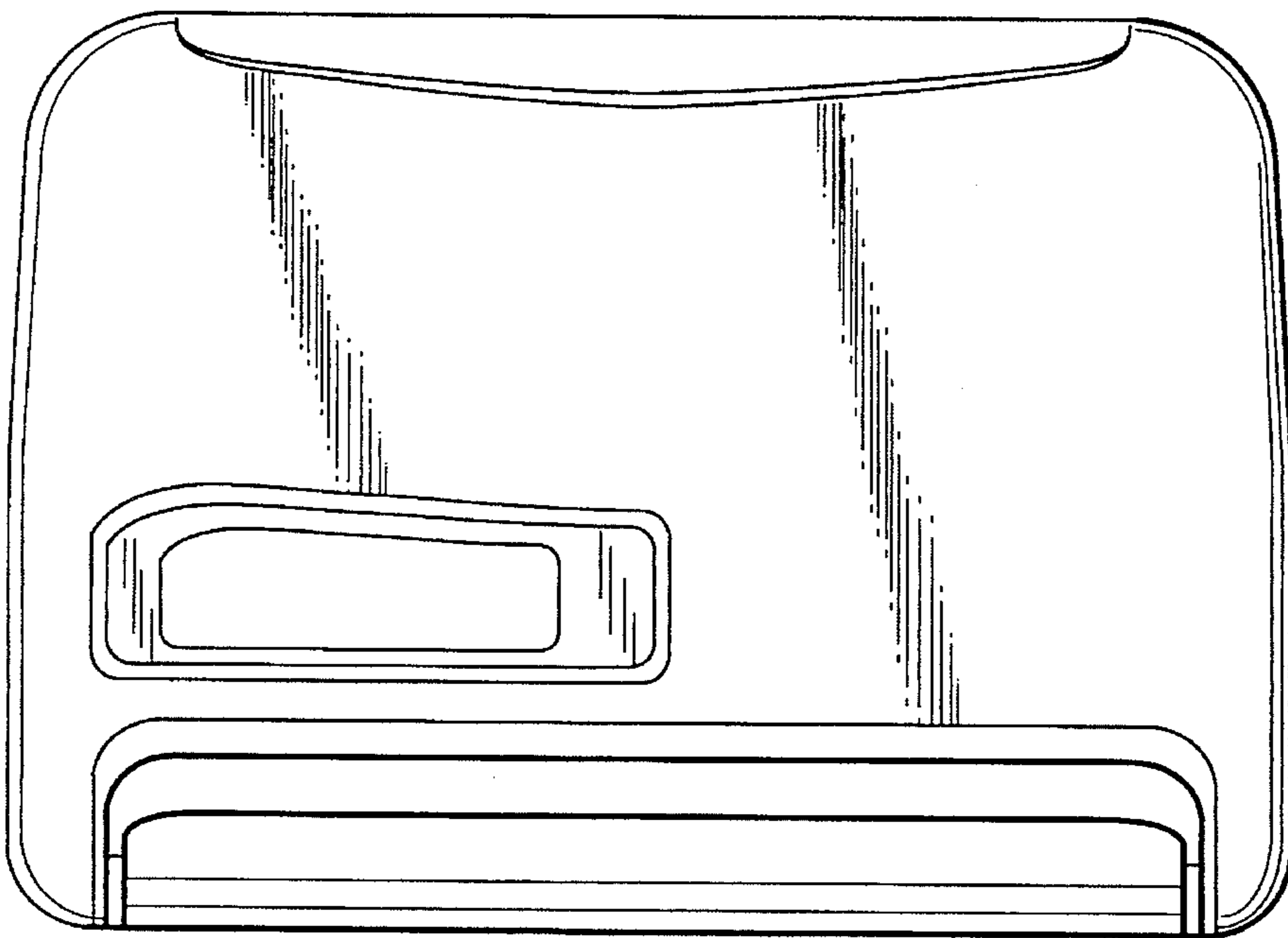


Fig. 5

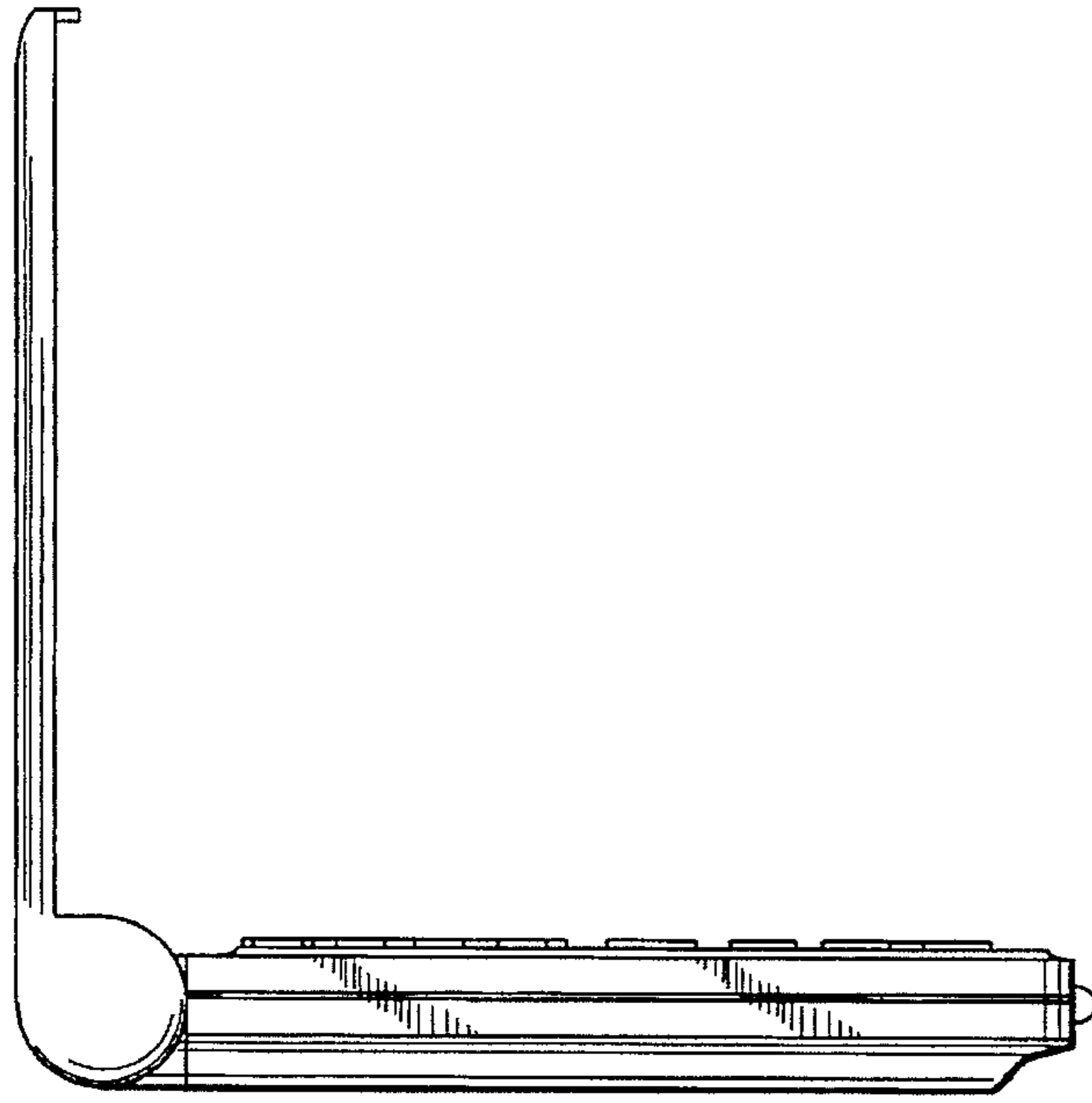


Fig. 6

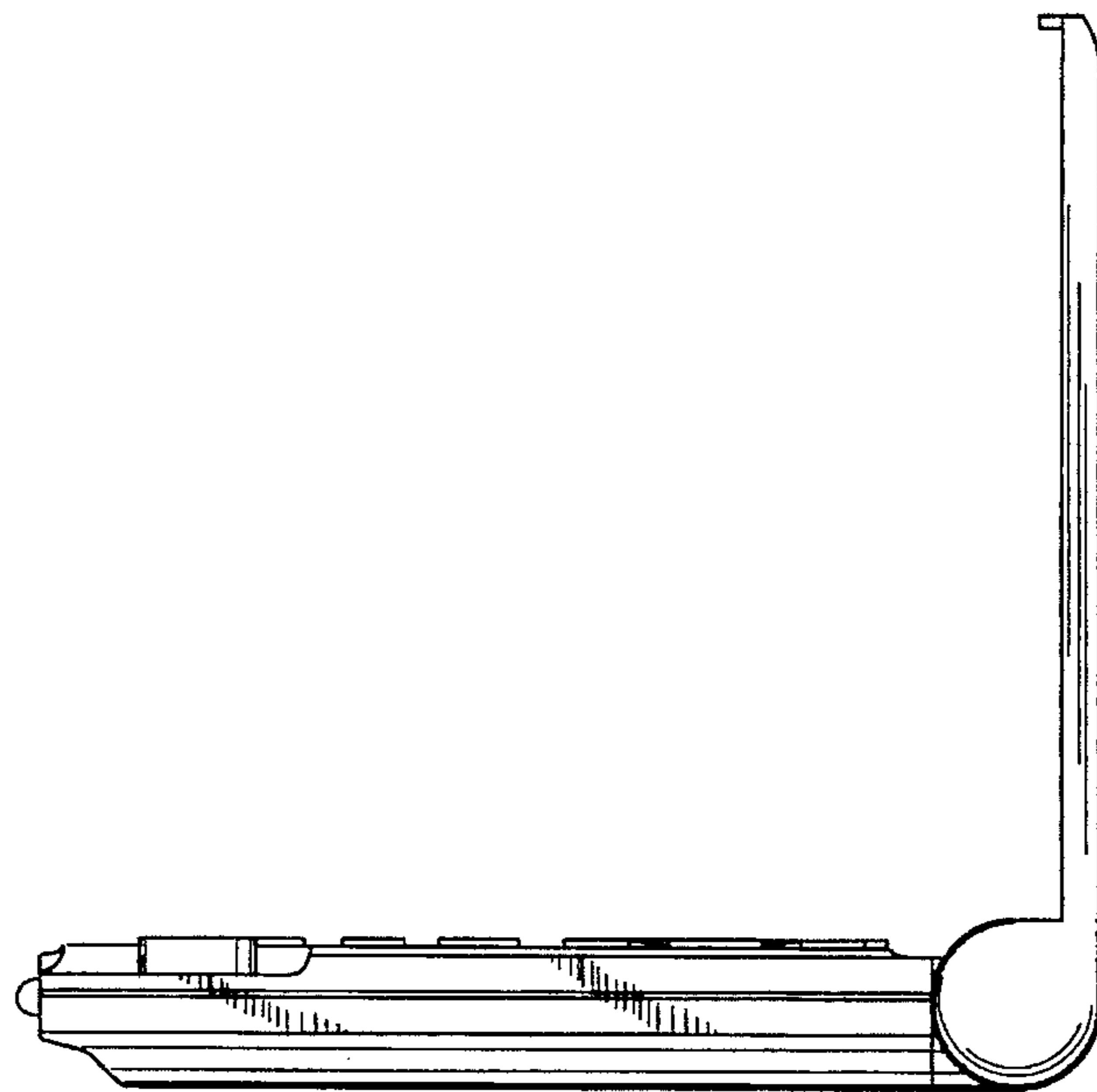


Fig. 7