



US00D377783S

**United States Patent** [19]  
**Itoh**

[11] **Patent Number:** **Des. 377,783**

[45] **Date of Patent:** **\*\*Feb. 4, 1997**

[54] **INTEGRATED CIRCUIT CHIP HOLDING  
DEVICE**

[75] Inventor: **Masato Itoh**, Matsumoto, Japan

[73] Assignee: **Shinano Electronics Co., Ltd.**,  
Matsumoto, Japan

[\*\*] Term: **14 Years**

[21] Appl. No.: **25,871**

[22] Filed: **Jul. 14, 1994**

[52] U.S. Cl. .... **D13/182; D8/71**

[58] Field of Search ..... **D13/123; 206/454;  
D8/71**

[56] **References Cited**

**U.S. PATENT DOCUMENTS**

3,939,780 2/1976 Bundy ..... 206/454 X  
4,609,103 9/1986 Bimer et al. .... 206/454 X

*Primary Examiner*—Joel Sincavage  
*Attorney, Agent, or Firm*—Armstrong, Westerman, Hattori,  
McLeland & Naughton

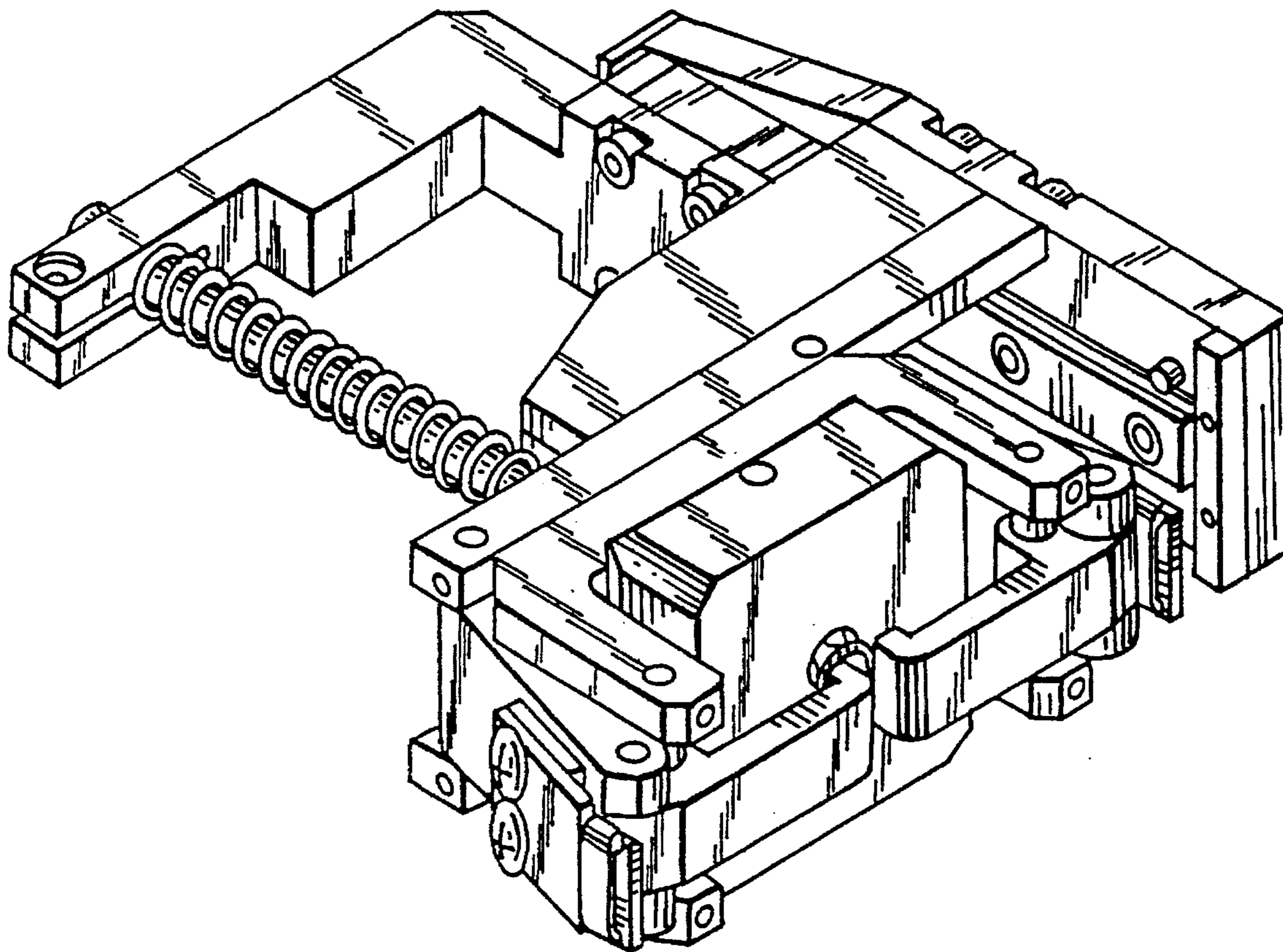
[57] **CLAIM**

The ornamental design for an integrated circuit chip holding device, as shown and described.

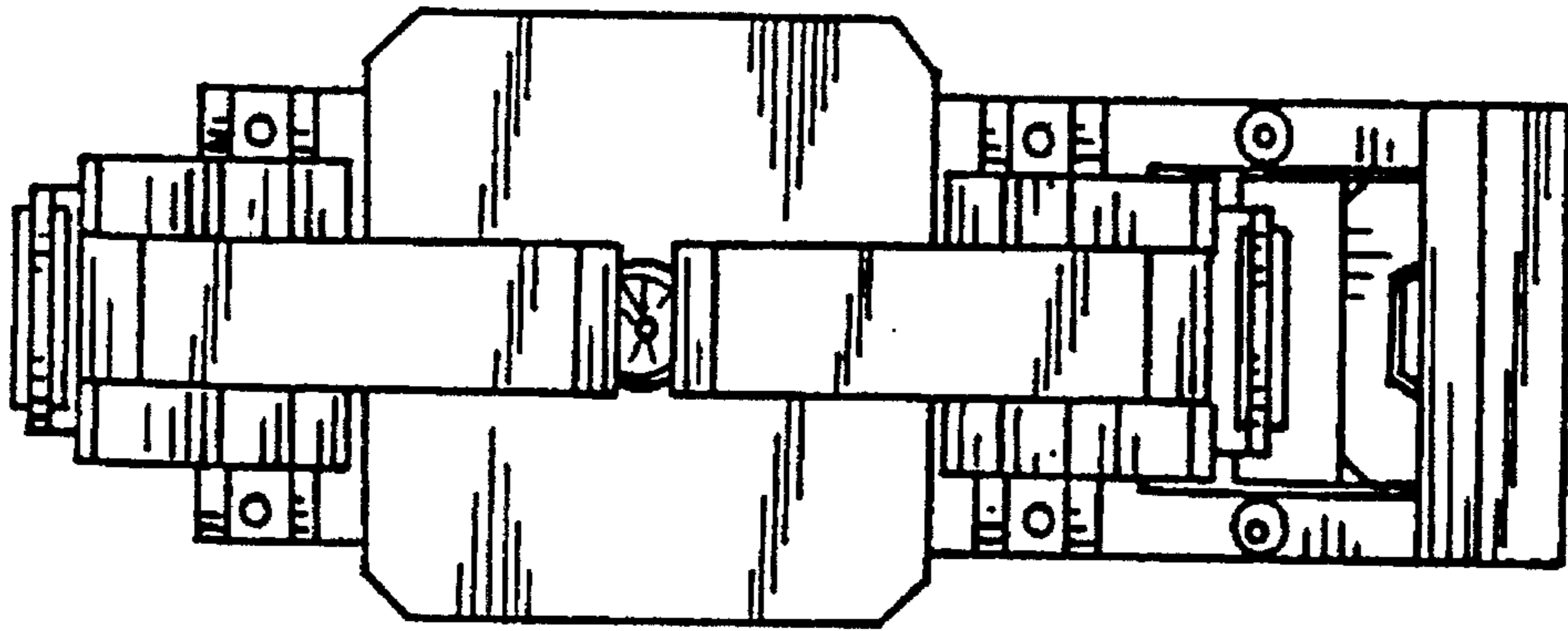
**DESCRIPTION**

FIG. 1 is a front view of my new design of integrated circuit chip holding device;  
FIG. 2 is a rear view thereof;  
FIG. 3 is a top view thereof;  
FIG. 4 is a bottom view thereof;  
FIG. 5 is a right side elevational view thereof;  
FIG. 6 is a left side elevational view thereof; and,  
FIG. 7 is a perspective view thereof taken from the top, front, left side of the device.

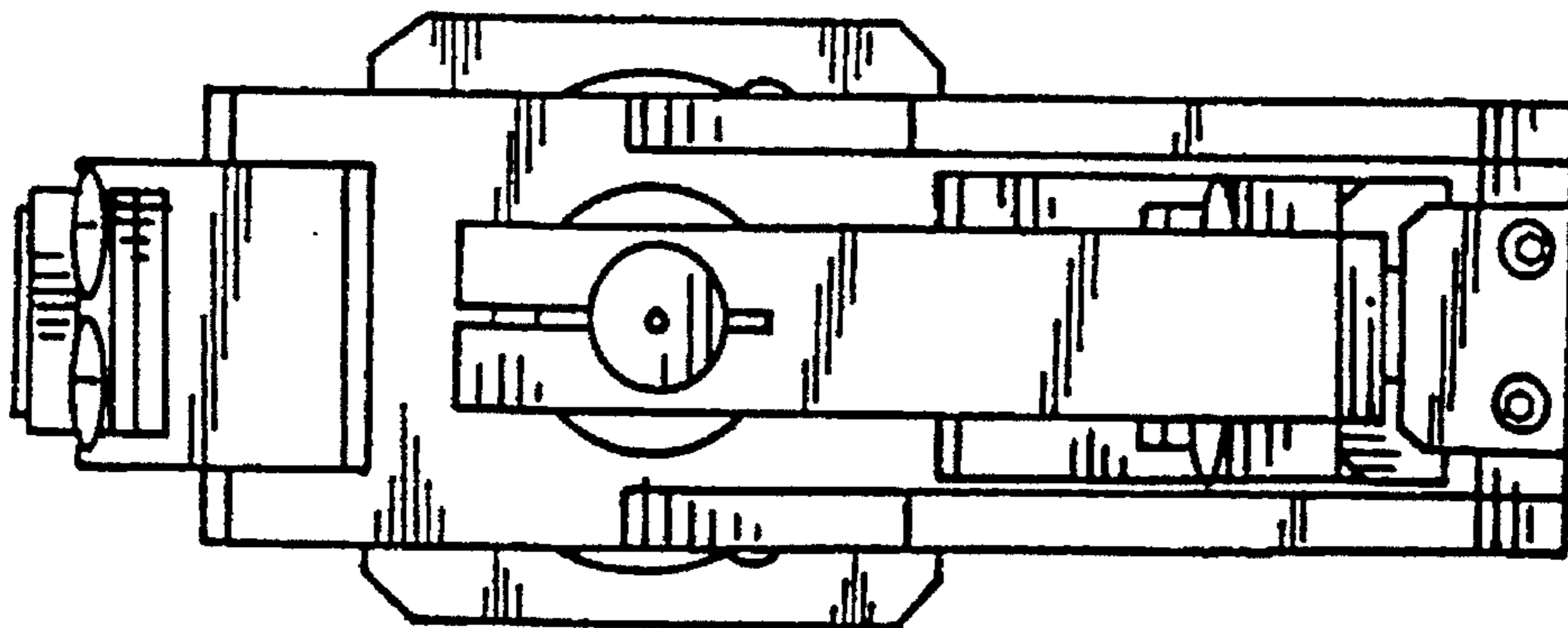
**1 Claim, 4 Drawing Sheets**



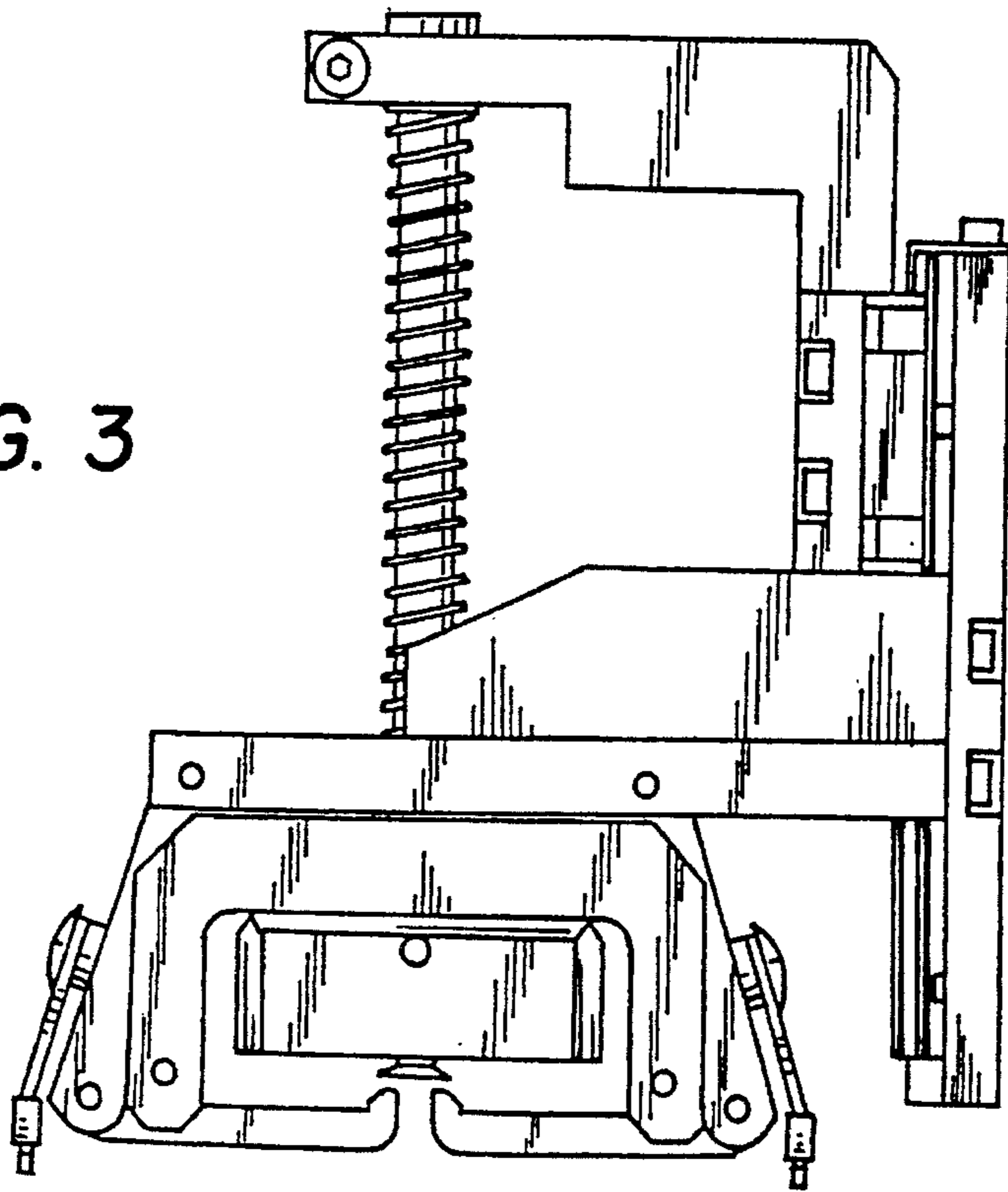
**FIG. 1**



**FIG. 2**



*FIG. 3*



*FIG. 4*

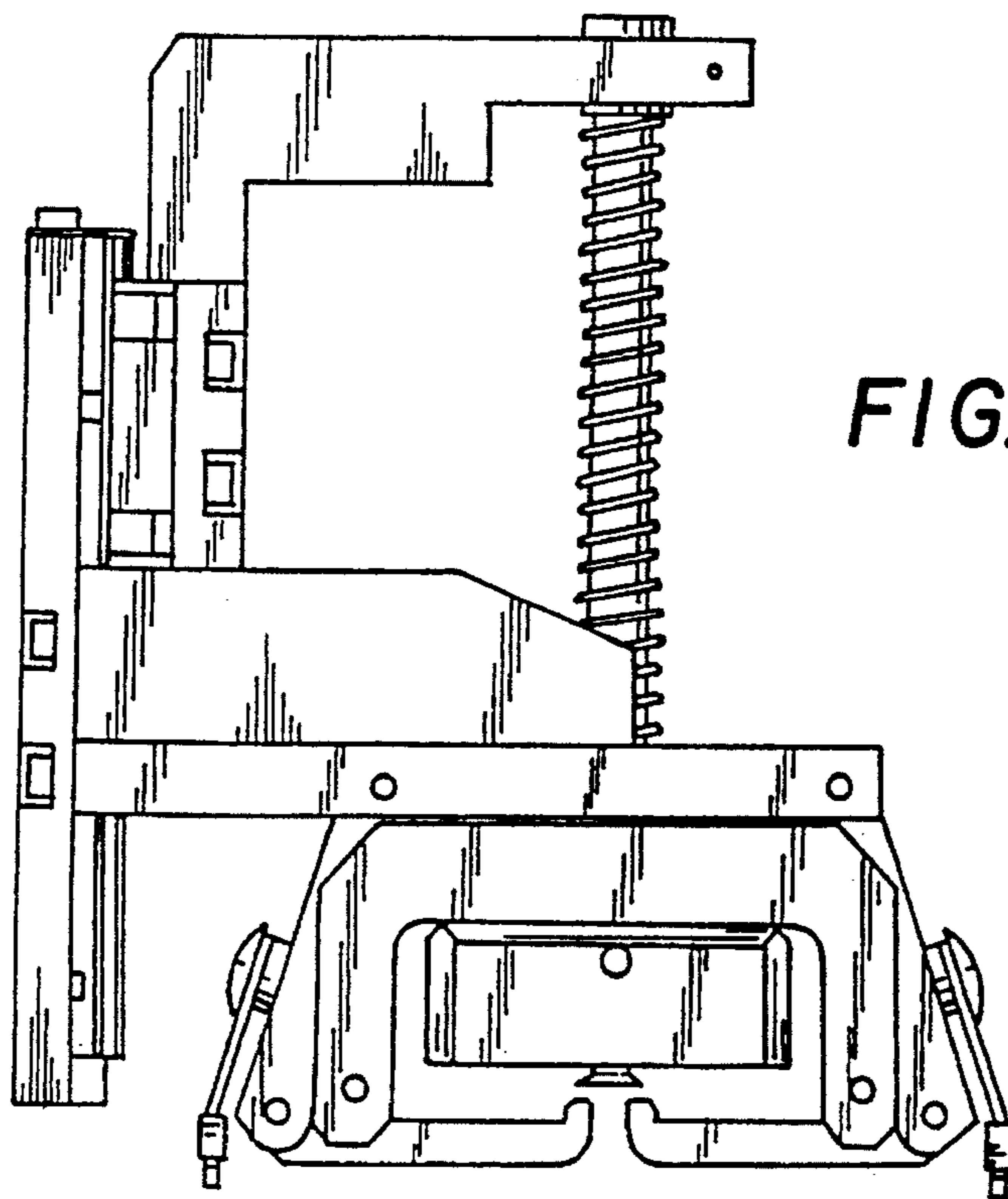


FIG. 5

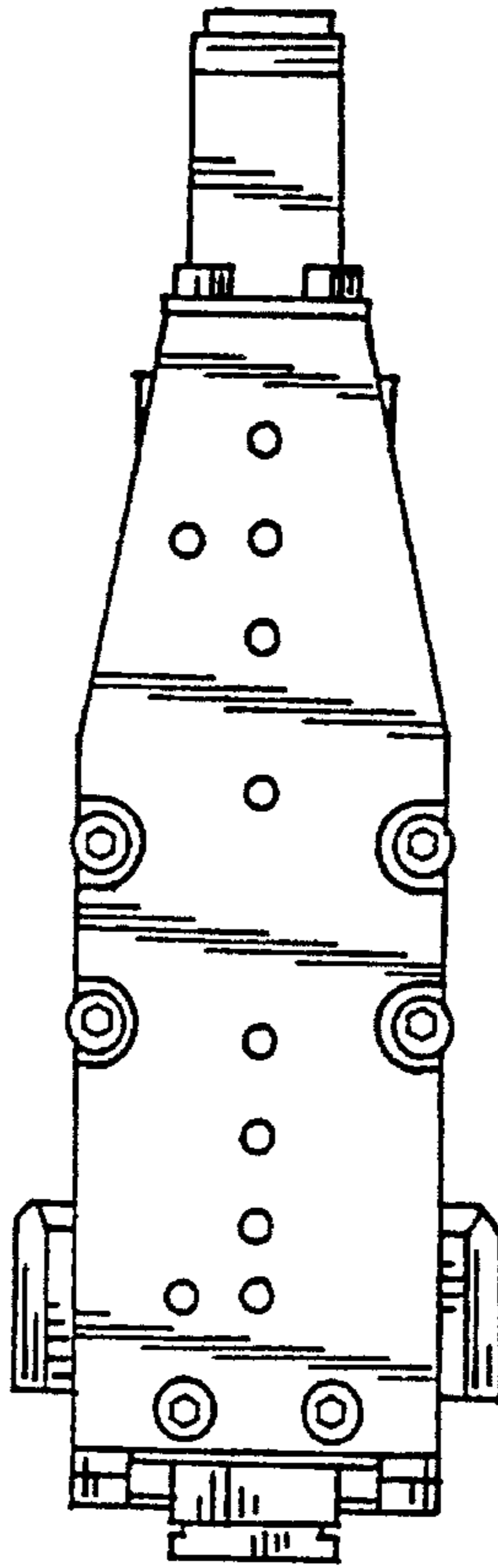


FIG. 6

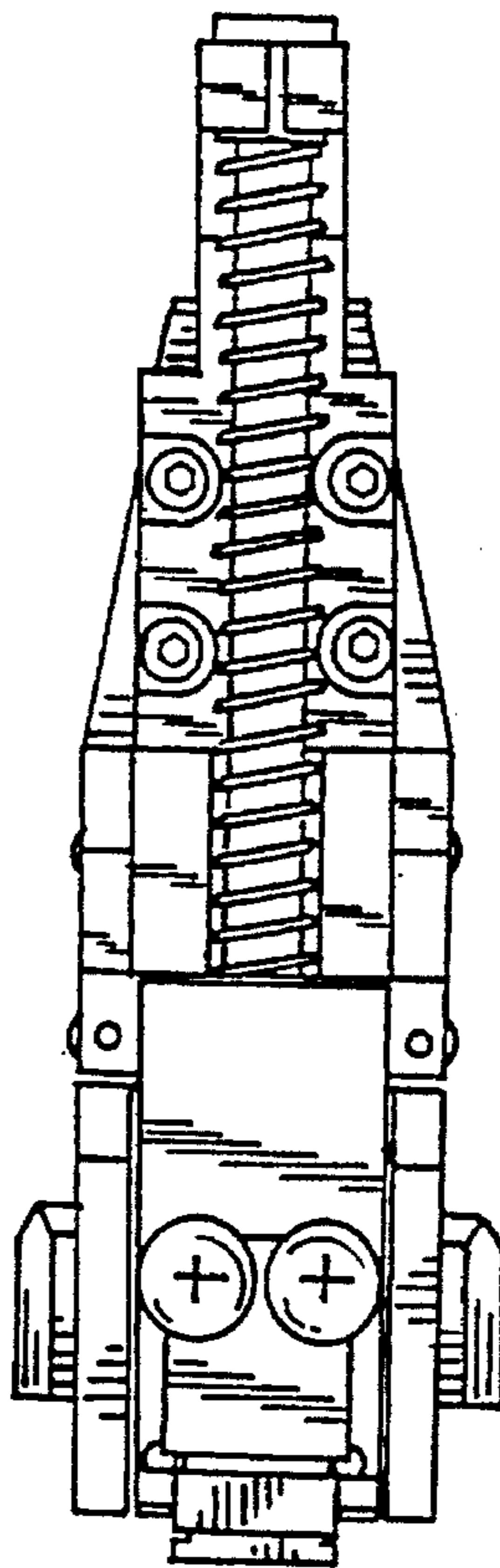




FIG. 7

